



US00D484241S

(12) **United States Design Patent**  
**Peters et al.**

(10) **Patent No.:** **US D484,241 S**

(45) **Date of Patent:** **\*\* Dec. 23, 2003**

(54) **ORNAMENTAL DESIGN FOR A SET OF COUPLING MEMBERS FOR A MEDICAL INJECTION SYSTEM**

6,402,723 B1 \* 6/2002 Lampropoulos et al. .... 604/256  
D463,025 S \* 9/2002 Swenson ..... D24/130  
D468,016 S \* 12/2002 Mosler et al. .... D24/129  
6,508,807 B1 \* 1/2003 Peters ..... 604/905

(75) Inventors: **Joseph L. Peters**, Stanstead Abbots (GB); **John Watkinson**, Stanstead Abbots (GB)

\* cited by examiner

*Primary Examiner*—Ian Simmons

(74) *Attorney, Agent, or Firm*—Dykema Gossett PLLC

(73) Assignee: **Clinical Product Development Limited**, Hertfordshire (GB)

(57) **CLAIM**

(\*\*) Term: **14 Years**

The ornamental design for a set of coupling members for a medical injection system, as shown and described.

(21) Appl. No.: **29/156,534**

**DESCRIPTION**

(22) Filed: **Mar. 4, 2002**

FIG. 1 is a perspective view of a female coupling member of a set of coupling members in accordance with the design of the present invention;

(30) **Foreign Application Priority Data**

Sep. 4, 2001 (GB) ..... 2104563

FIG. 2 is a perspective view of a male coupling member of the set of coupling members in accordance with the design of the present invention;

(51) **LOC (7) Cl.** ..... **24-02**

(52) **U.S. Cl.** ..... **D24/129; D24/108; D24/130**

FIG. 3 is a perspective view of the male and female coupling members coupled together;

(58) **Field of Search** ..... D24/108, 112, D24/129, 130; 604/256, 905, 533, 535; D23/262, 233; 251/149, 149.9, 149.1, 149.5

FIG. 4 is a side elevational view of the male and female coupling members coupled together;

(56) **References Cited**

**U.S. PATENT DOCUMENTS**

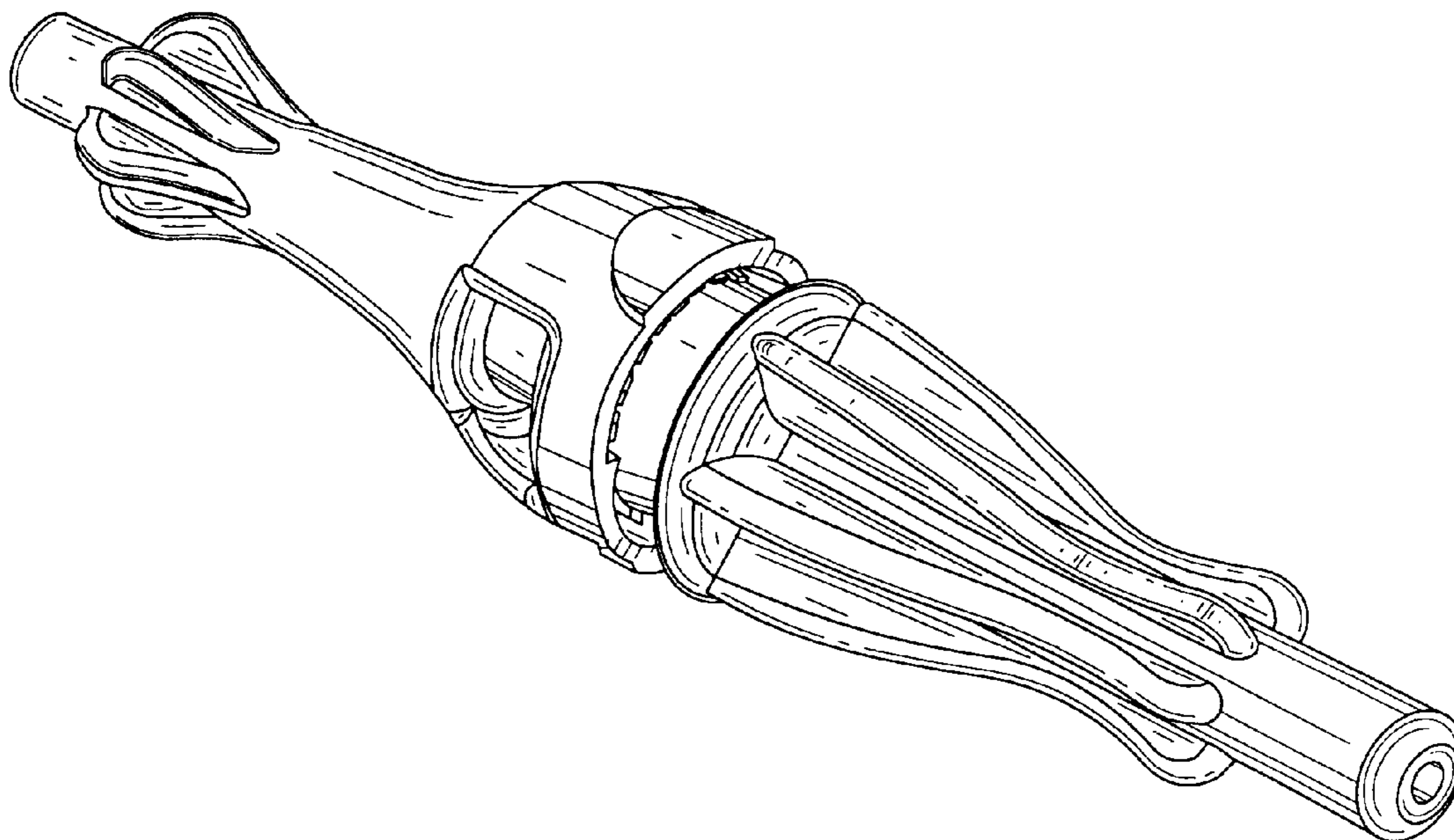
5,181,508 A \* 1/1993 Poole, Jr. .... D24/129  
5,259,843 A \* 11/1993 Watanabe et al. .... 604/905  
D408,079 S \* 4/1999 Ellis ..... D24/108  
6,093,182 A \* 7/2000 Lampropoulos et al. .... 604/533  
D435,653 S \* 12/2000 Niedospial, Jr. et al. ... D24/129

FIG. 5 is a plan view of the male and female coupling members coupled together;

FIG. 6 is a cross-section through the male and female coupling members coupled together; and,

FIG. 7 is a rear end view of the male and female coupling members coupled together.

**1 Claim, 2 Drawing Sheets**



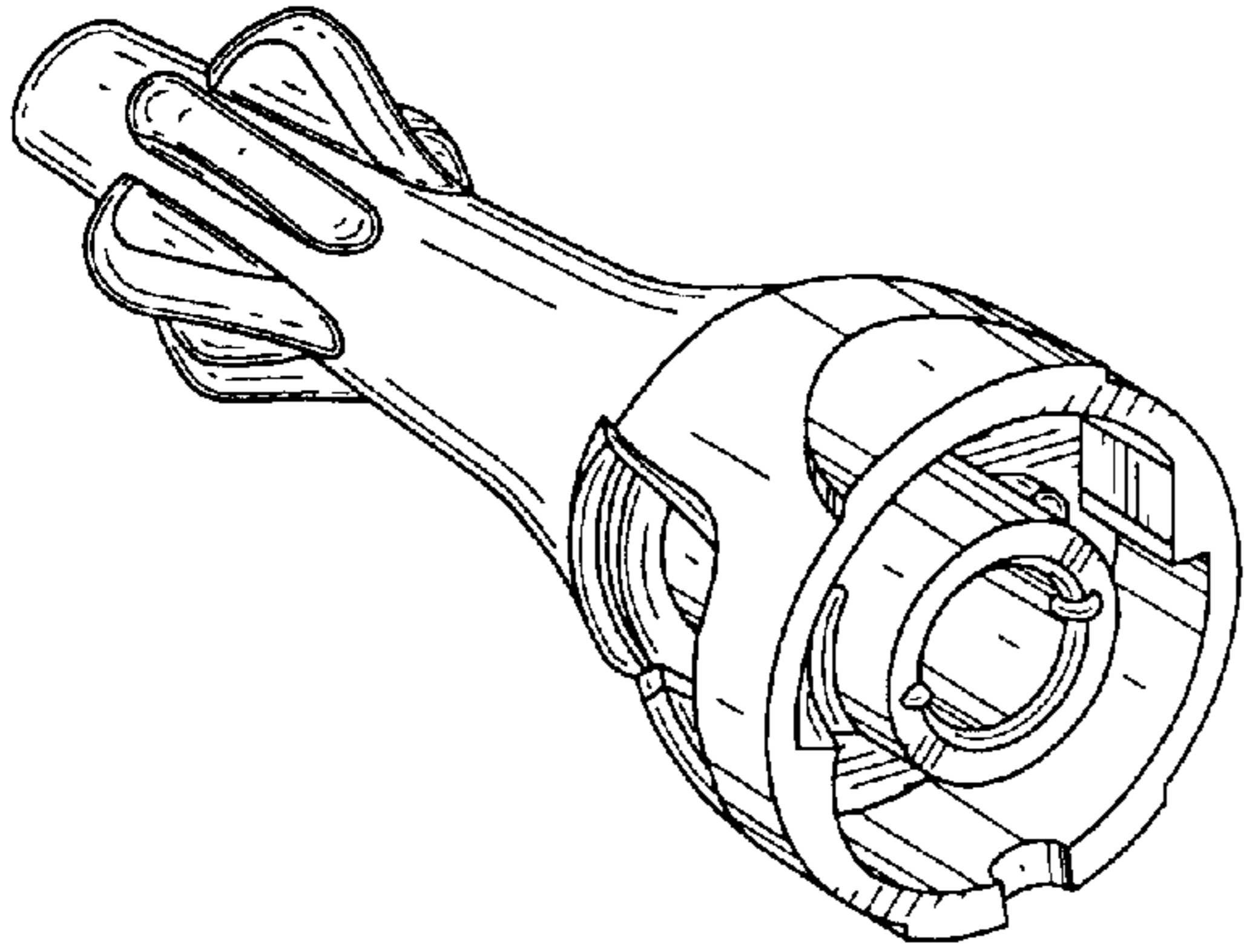


FIG. 1

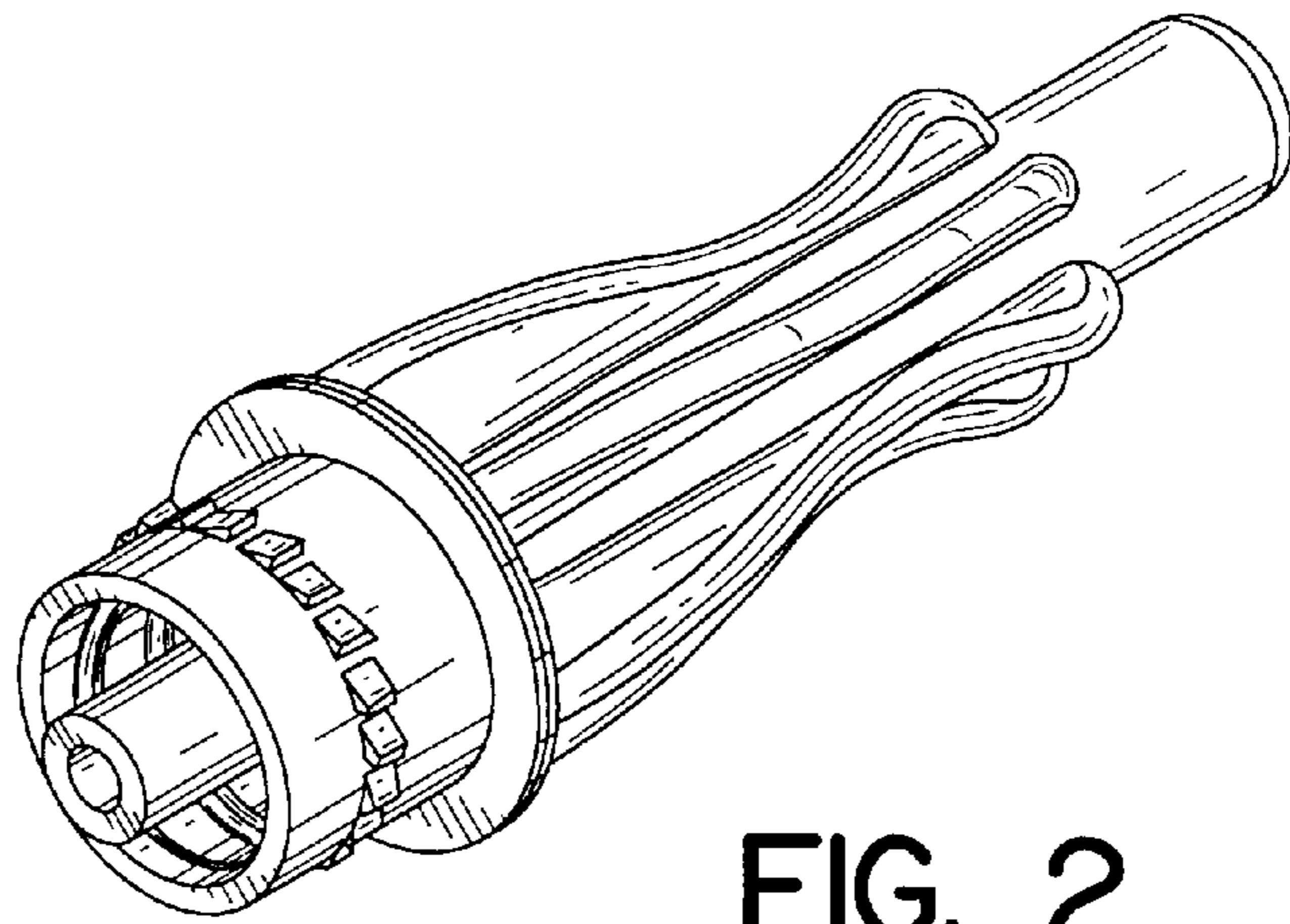


FIG. 2

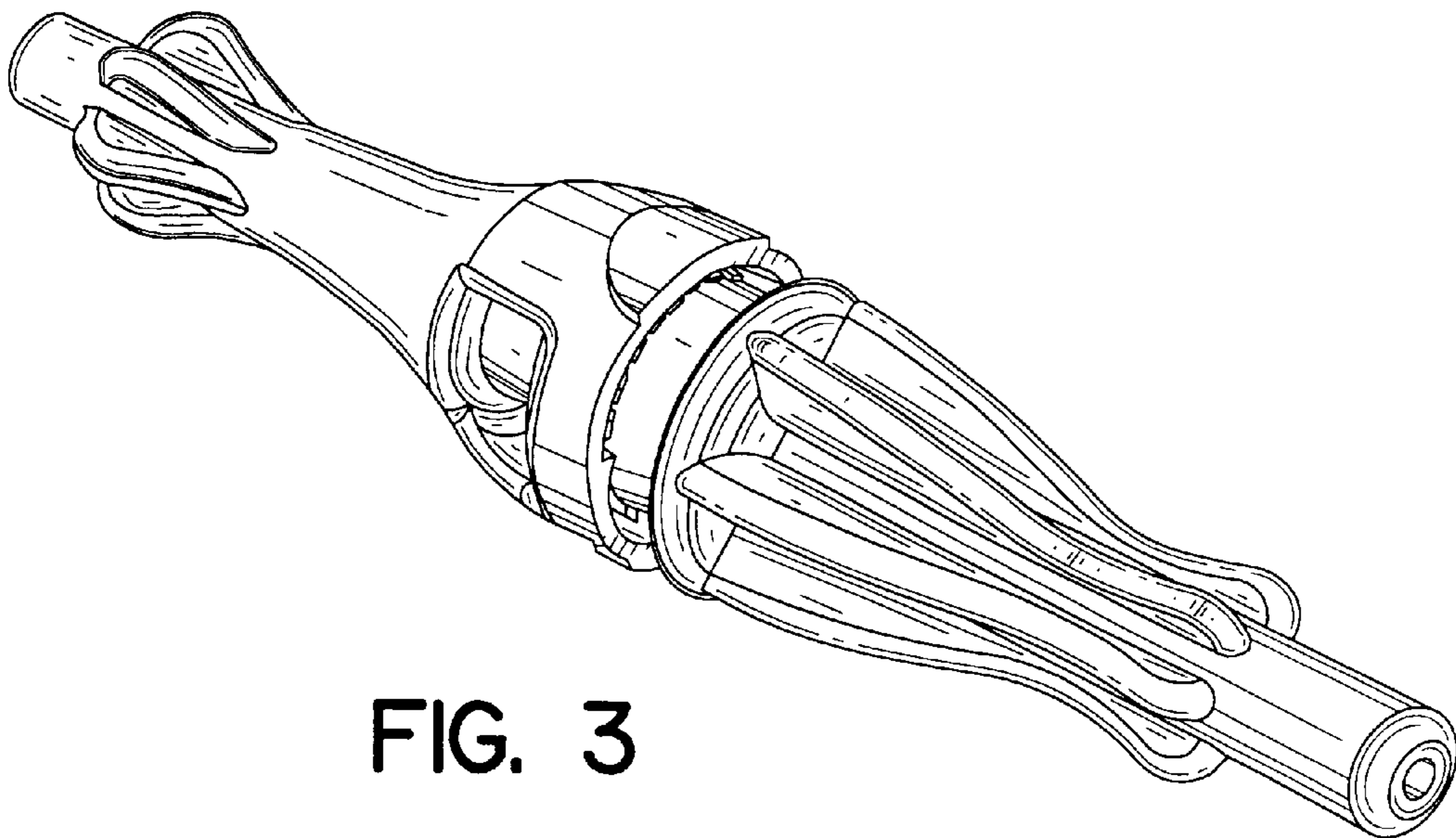


FIG. 3

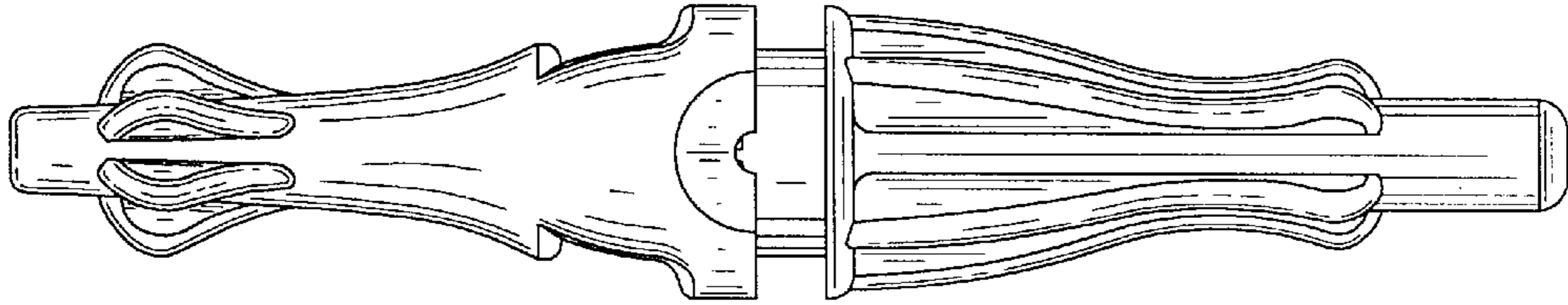


FIG. 4

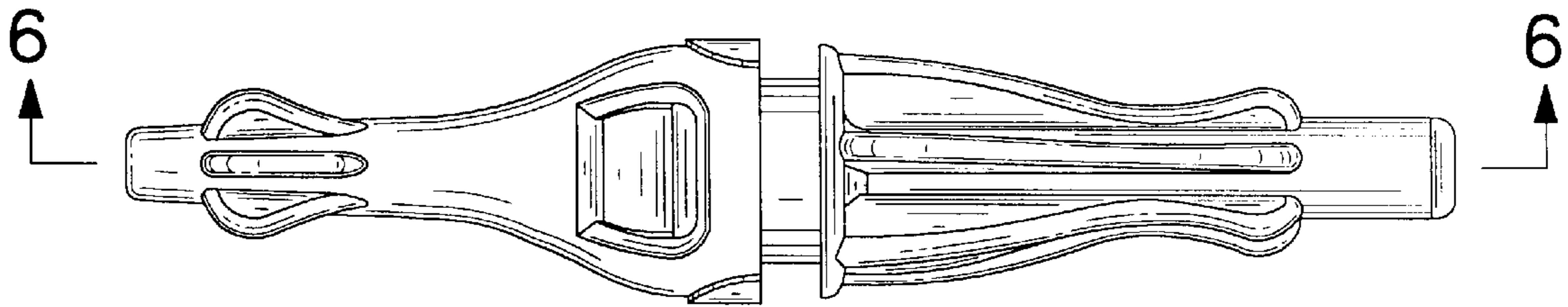


FIG. 5

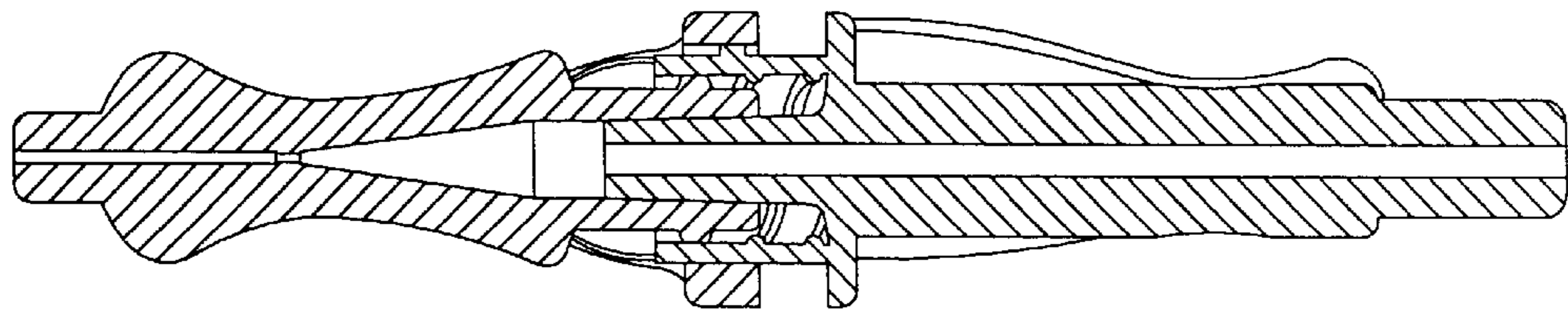


FIG. 6

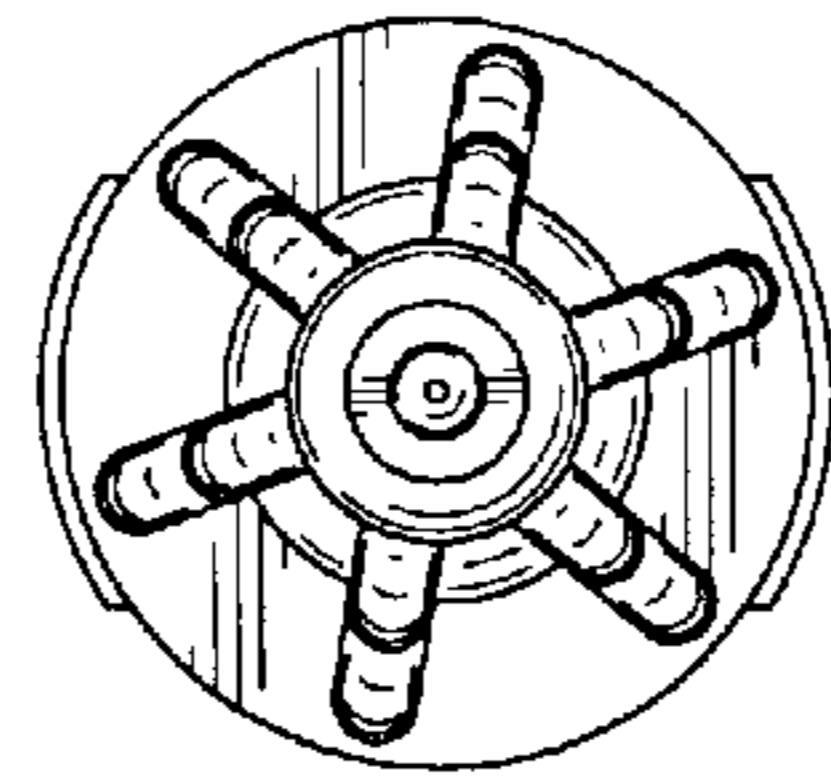


FIG. 7