



US00D484239S

(12) **United States Design Patent**
Anderson

(10) **Patent No.:** **US D484,239 S**

(45) **Date of Patent:** **** Dec. 23, 2003**

(54) **DISPENSING SYRINGE**

(76) **Inventor:** **Mark L. Anderson**, 303 S. McKay Ave., Spring Valley, WI (US) 54767

(**) **Term:** **14 Years**

(21) **Appl. No.:** **29/165,409**

(22) **Filed:** **Aug. 9, 2002**

(51) **LOC (7) Cl.** **24-02**

(52) **U.S. Cl.** **D24/114; D24/112; D24/113**

(58) **Field of Search** **D24/114, 113, 224, 210, 211, 223; 222/175**

(56) **References Cited**

U.S. PATENT DOCUMENTS

D212,991 S	*	12/1968	Evers et al.	D24/114
3,827,601 A	*	8/1974	Magrath et al.	604/223
4,275,729 A	*	6/1981	Silver et al.	604/211
4,364,388 A	*	12/1982	Cech	604/224
4,710,179 A	*	12/1987	Haber et al.	604/211
4,732,302 A	*	3/1988	Muhlbauer	604/227

D306,069 S	*	2/1990	Kelly et al.	D24/114
5,154,324 A	*	10/1992	Stratford	222/175
5,603,701 A	*	2/1997	Fischer	604/211

* cited by examiner

Primary Examiner—Ian Simmons

(74) *Attorney, Agent, or Firm*—Skinner and Associates

(57) **CLAIM**

The ornamental design for a dispensing syringe, as shown and described.

DESCRIPTION

FIG. 1 is a top view of a dispensing syringe showing an embodiment of the design of this invention.

FIG. 2 is a front view thereof, the back view being symmetrical.

FIG. 3 an end view thereof.

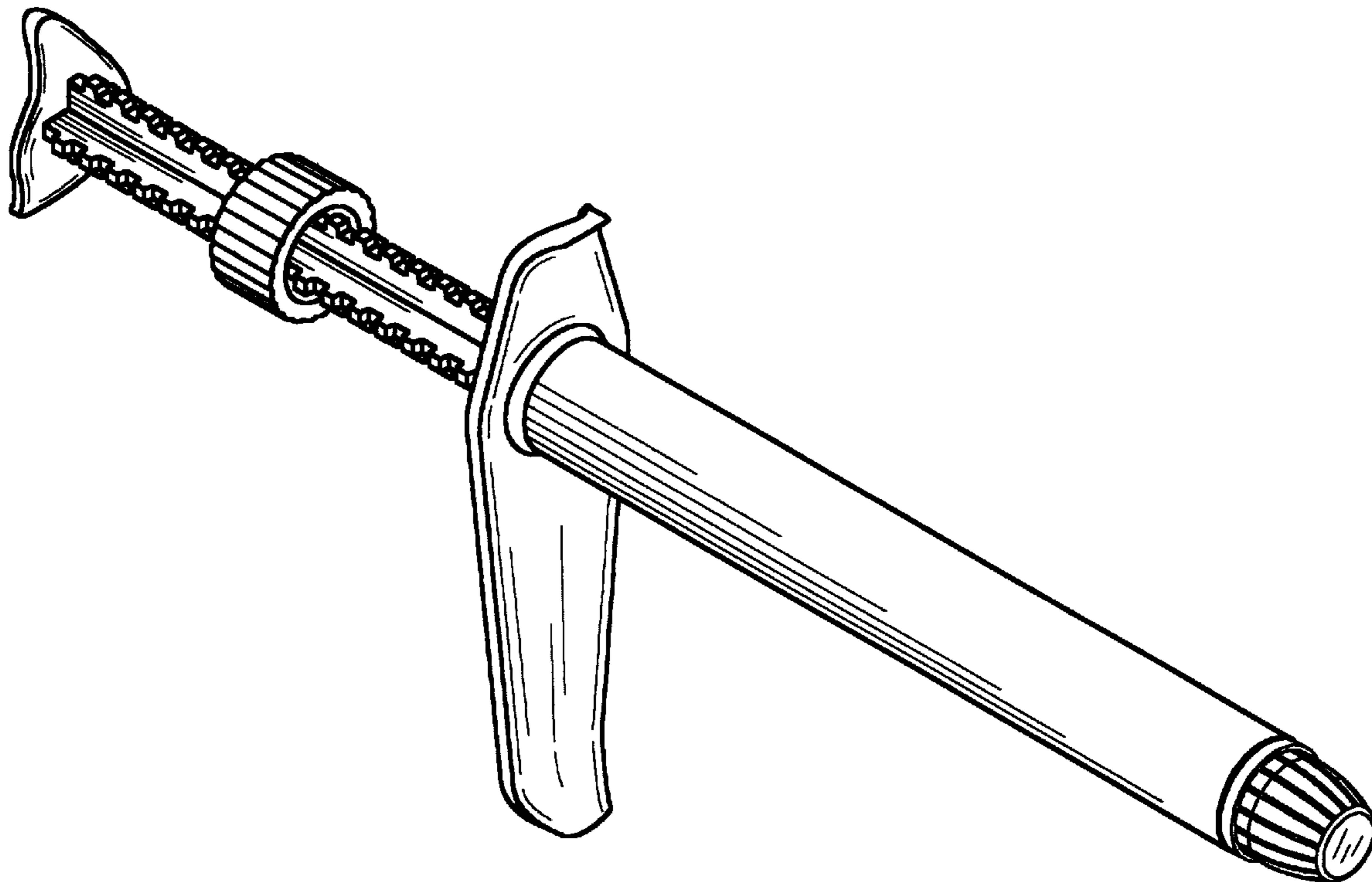
FIG. 4 is an opposite end view thereof.

FIG. 5 is a perspective view thereof.

FIG. 6 is an opposite perspective view thereof; and,

FIG. 7 is an exploded perspective view thereof.

1 Claim, 3 Drawing Sheets



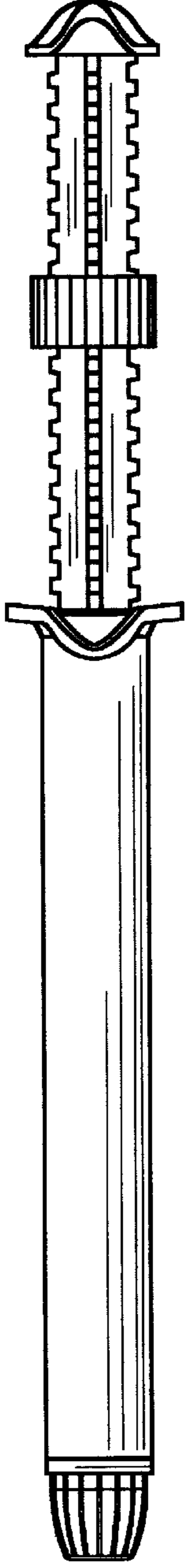


FIG. 1

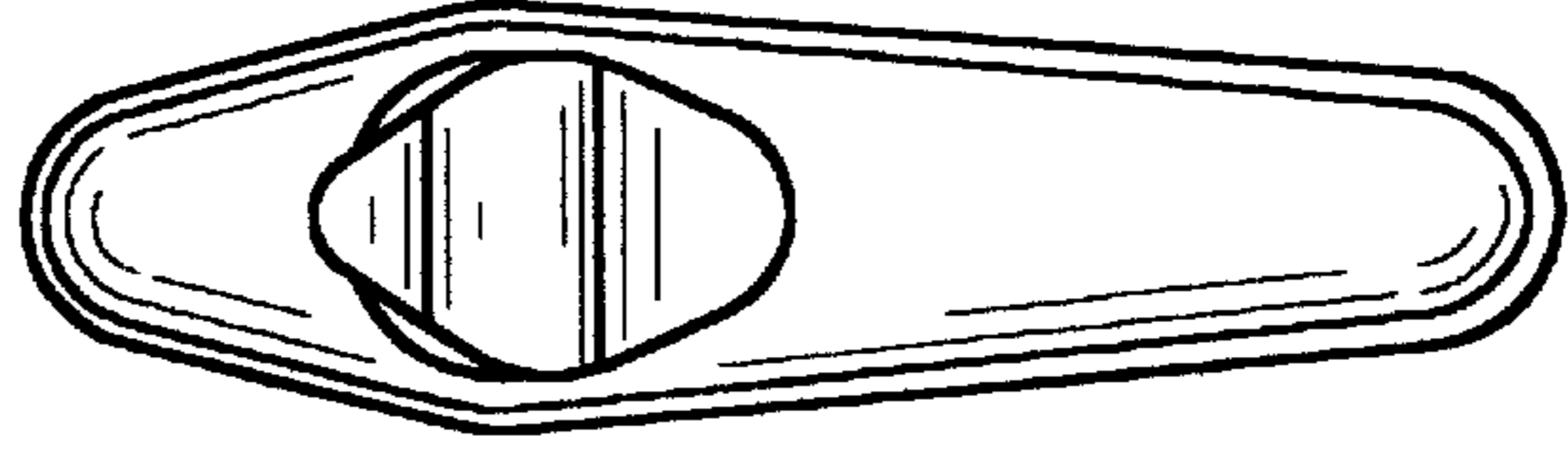


FIG. 4

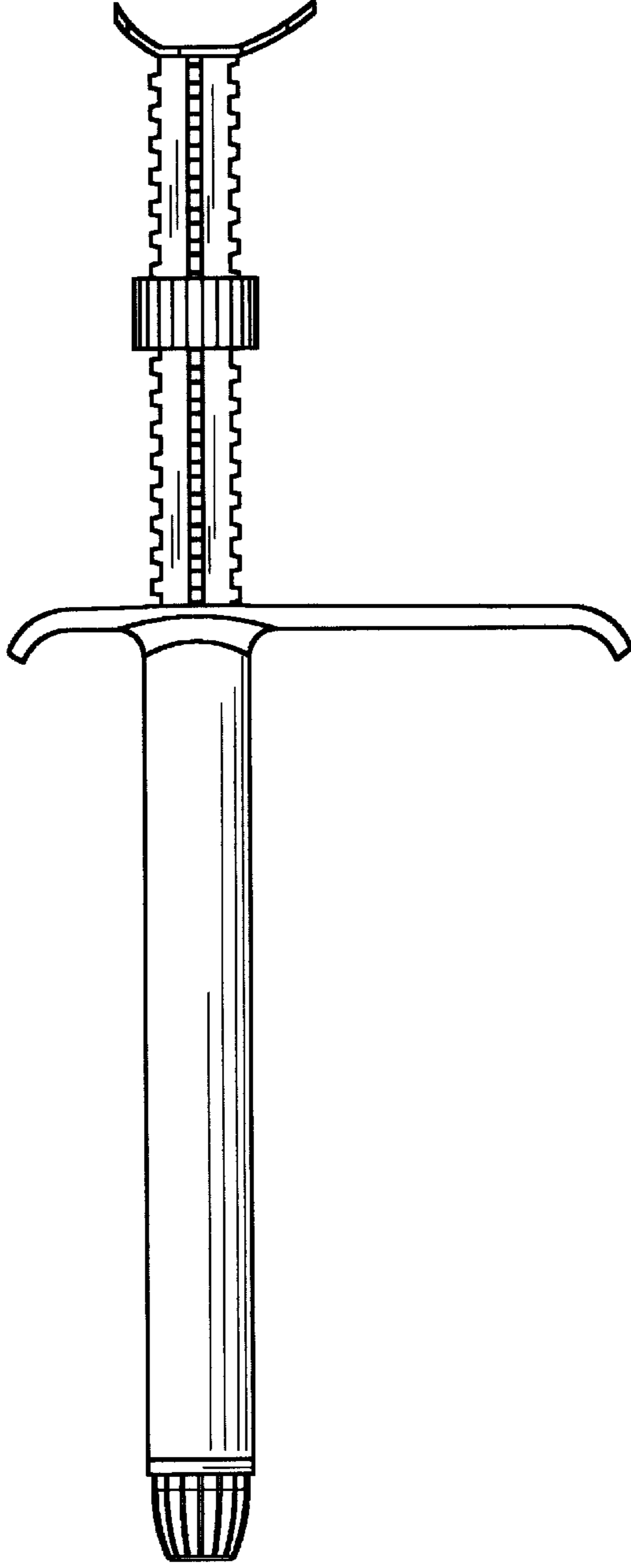


FIG. 2

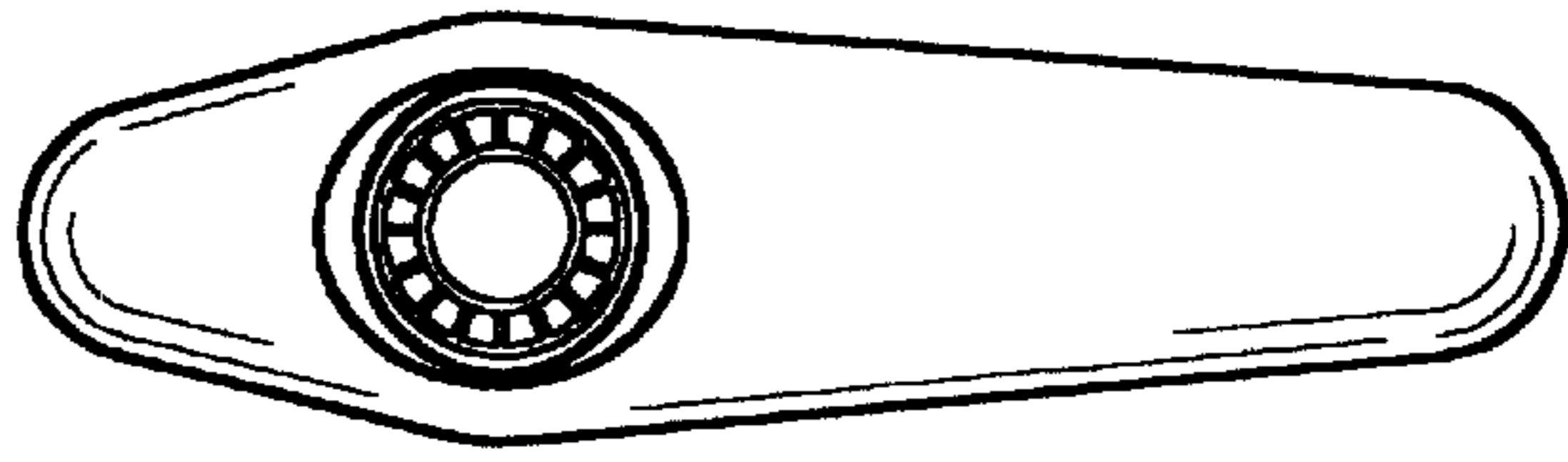


FIG. 3

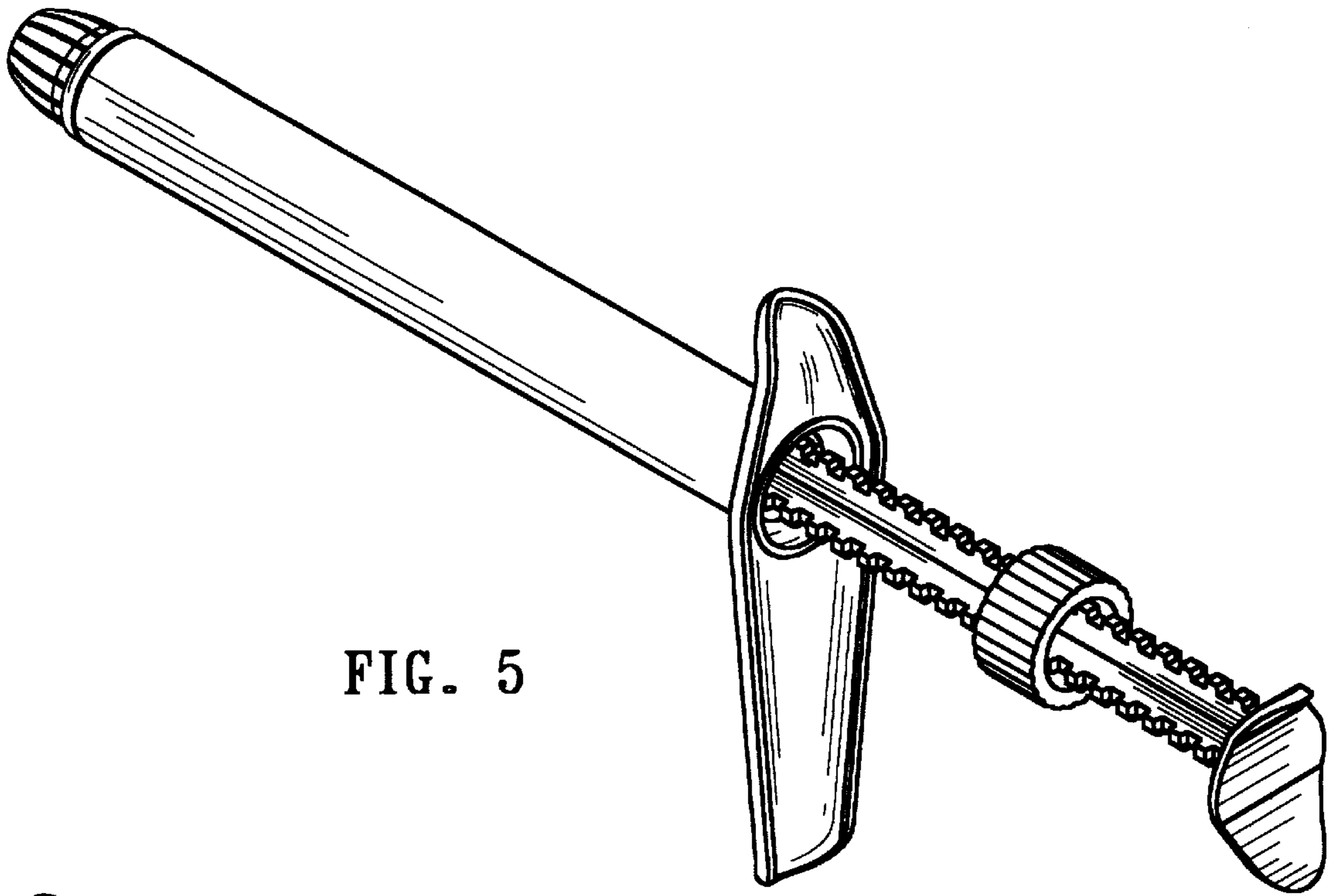


FIG. 5

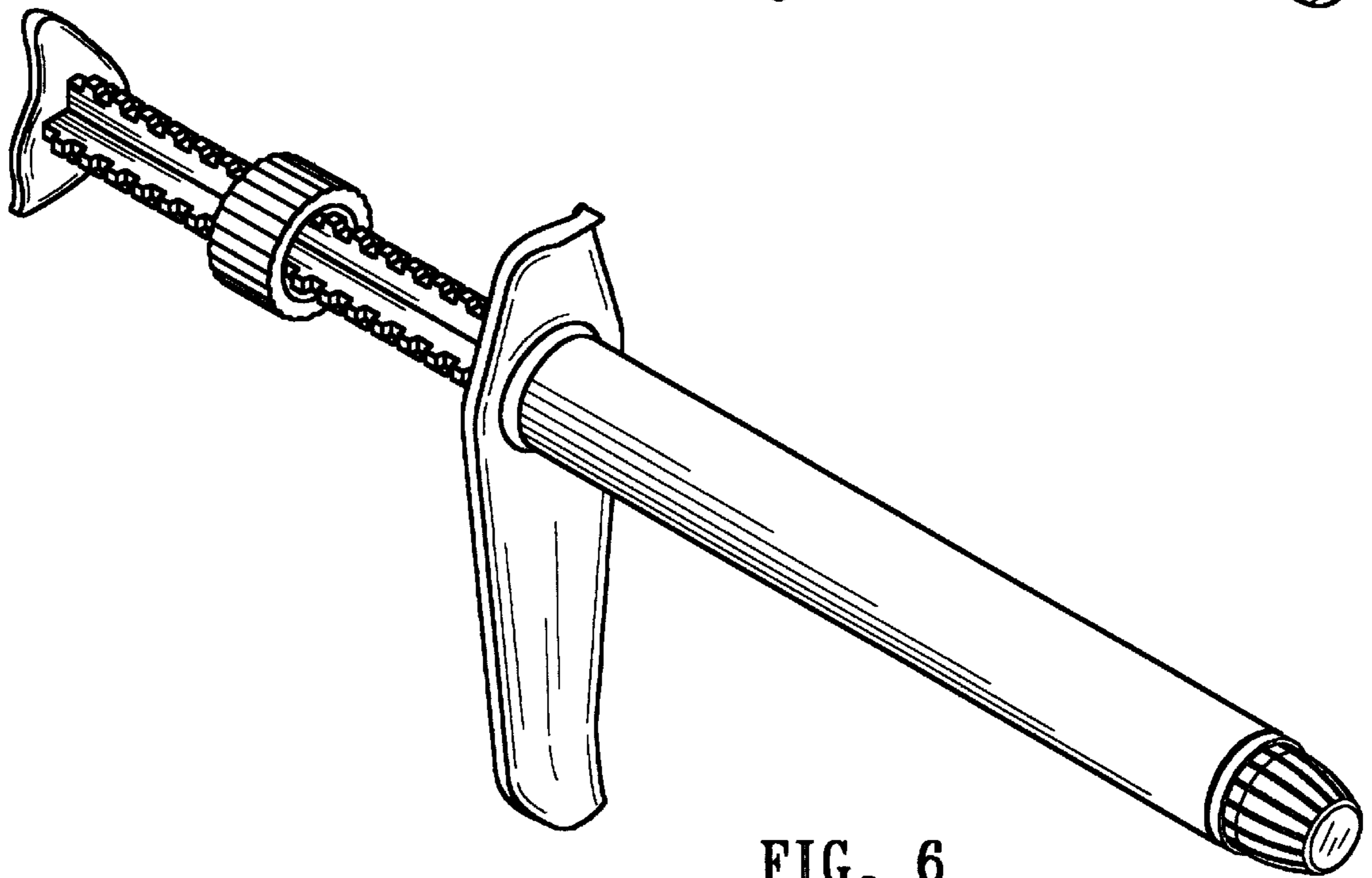


FIG. 6

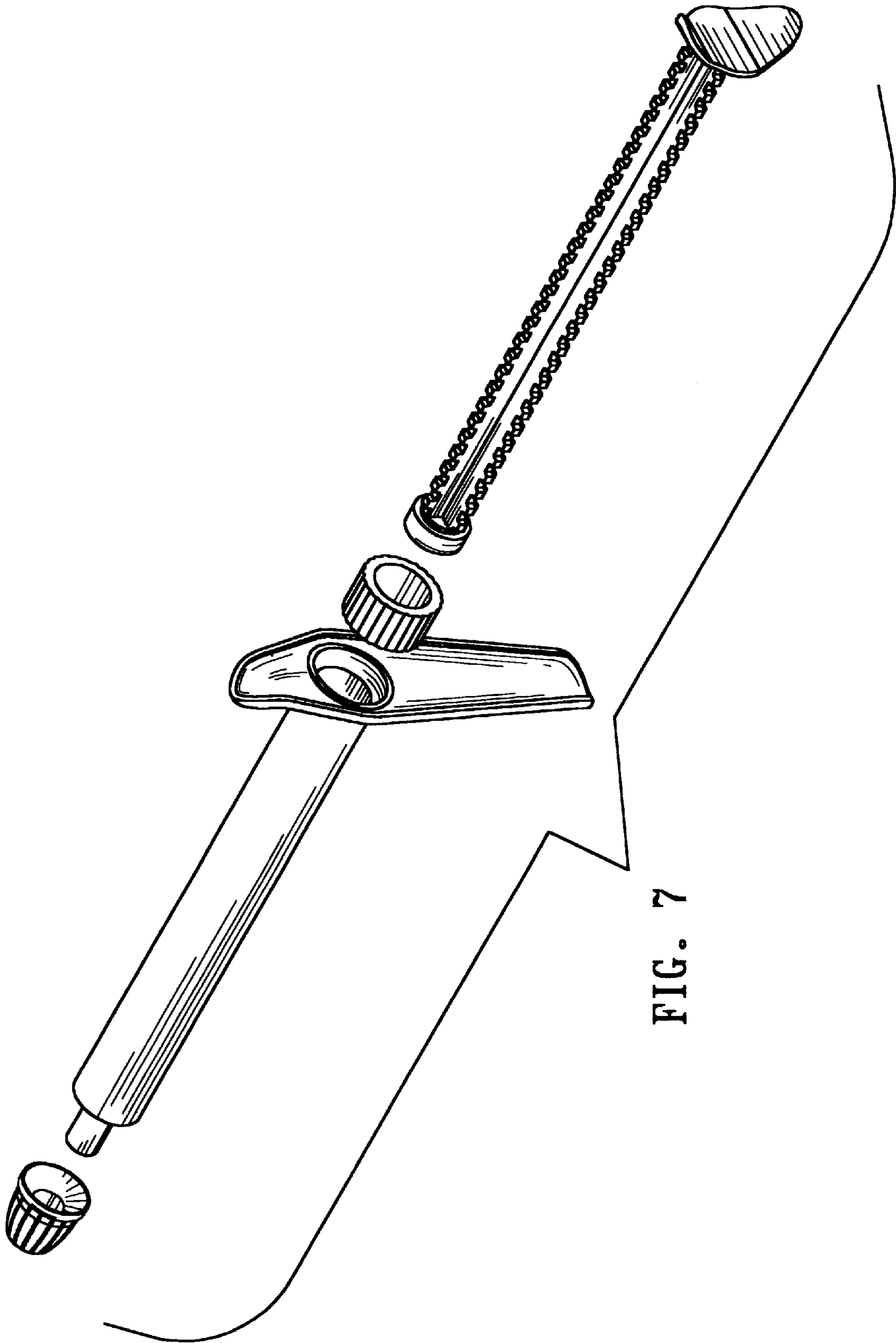


FIG. 7