



US00D484230S

(12) **United States Design Patent**
Durham

(10) **Patent No.:** **US D484,230 S**

(45) **Date of Patent:** **** Dec. 23, 2003**

(54) **SELF-PROTECTING/ORNAMENTAL WINDMILL**

(76) **Inventor:** **Lance Durham**, 4 Molino Rd., Fayetteville, TN (US) 37334

(**) **Term:** **14 Years**

(21) **Appl. No.:** **29/160,025**

(22) **Filed:** **May 2, 2002**

(51) **LOC (7) Cl.** **23-04**

(52) **U.S. Cl.** **D23/370; D23/377; D23/379**

(58) **Field of Search** **D23/370, 377, D23/379; 416/5, 117, 132 A, 132 B, 139, 140, 142**

(56) **References Cited**

U.S. PATENT DOCUMENTS

1,698,709	A	1/1929	Bucklen et al.	
2,026,828	A	1/1936	Dunn	290/55
2,102,309	A	12/1937	Dunn	290/55
2,112,900	A	4/1938	McColly	
2,204,462	A	6/1940	Albers	290/55
2,245,264	A	6/1941	Dunn	290/55
2,484,291	A	10/1949	Hays	
4,288,704	A	9/1981	Bosard	290/55
4,289,970	A	9/1981	Deibert	290/44
4,449,889	A	5/1984	Belden	
4,517,467	A	5/1985	Fuhring	290/44
4,673,822	A	6/1987	Kikuchi	290/44
4,718,825	A	1/1988	Avery	
D397,199	S	* 8/1998	Pickett	D23/377

D456,890 S * 5/2002 Thomas D23/377

* cited by examiner

Primary Examiner—Lisa Lichtenstein

(74) *Attorney, Agent, or Firm*—Wadley & Patterson; Larry W. Brantley

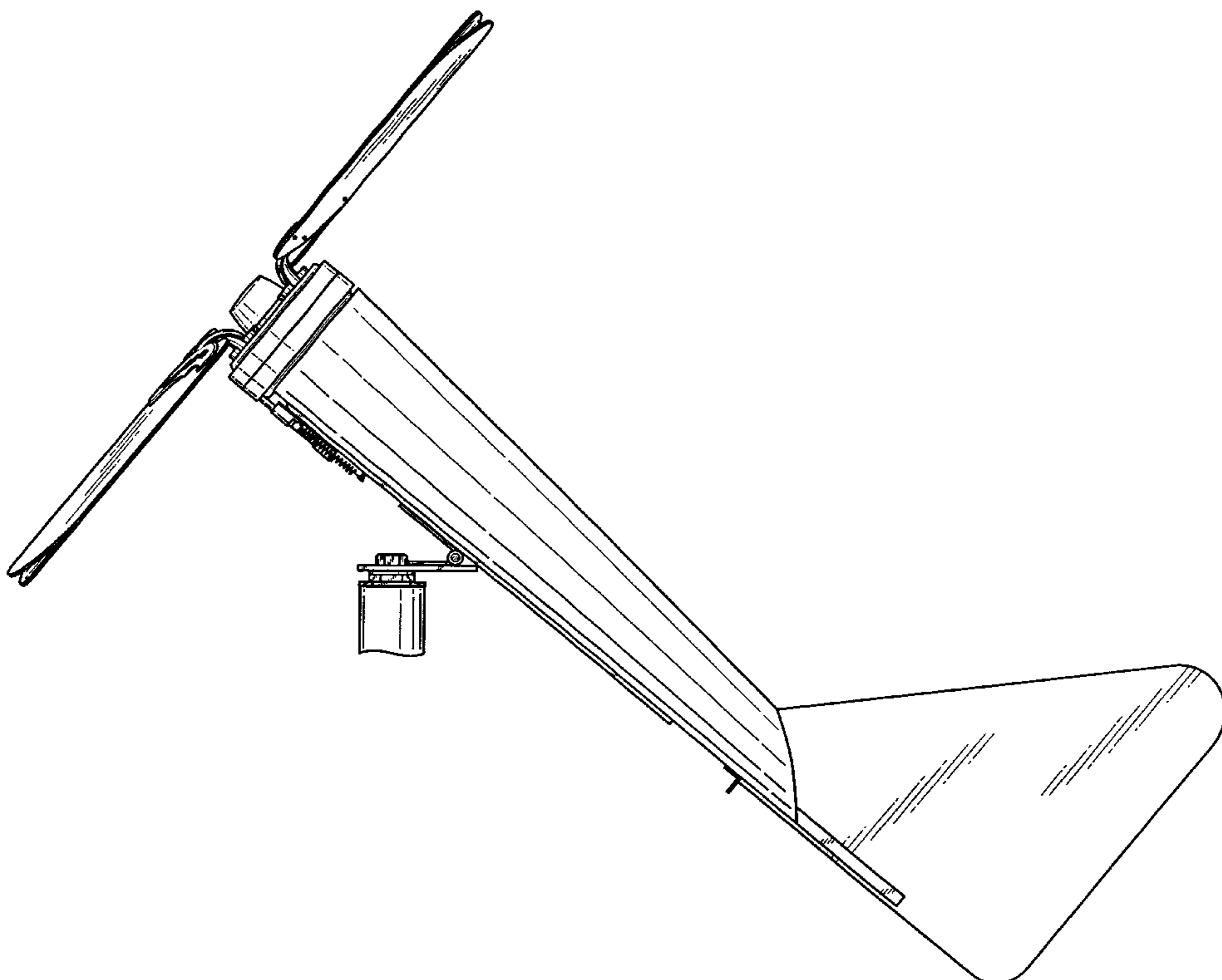
(57) **CLAIM**

What is claimed is the ornamental design for a self-protecting/ornamental windmill, as shown and described.

DESCRIPTION

FIG. 1 is a front elevation view of the self-protecting/ornamental windmill of applicant's invention.
 FIG. 2 is a rear elevation view of the self-protecting/ornamental windmill of applicant's invention.
 FIG. 3 is a left side elevation view of the self-protecting/ornamental windmill of applicant's invention.
 FIG. 4 is a right side elevation view of the self-protecting/ornamental windmill of applicant's invention.
 FIG. 5 is a top view of the self-protecting/ornamental windmill of applicant's invention.
 FIG. 6 is a bottom view of the self-protecting/ornamental windmill of applicant's invention; and,
 FIG. 7 is a left side elevation view of the self-protecting/ornamental windmill of applicant's invention on a reduced scale, with the attachment to the end post in open position, the opposite side being a mirror image of that shown.
 The end post has been shown broken away in FIGS. 1-4 and 7 to indicate indeterminate length.

1 Claim, 7 Drawing Sheets



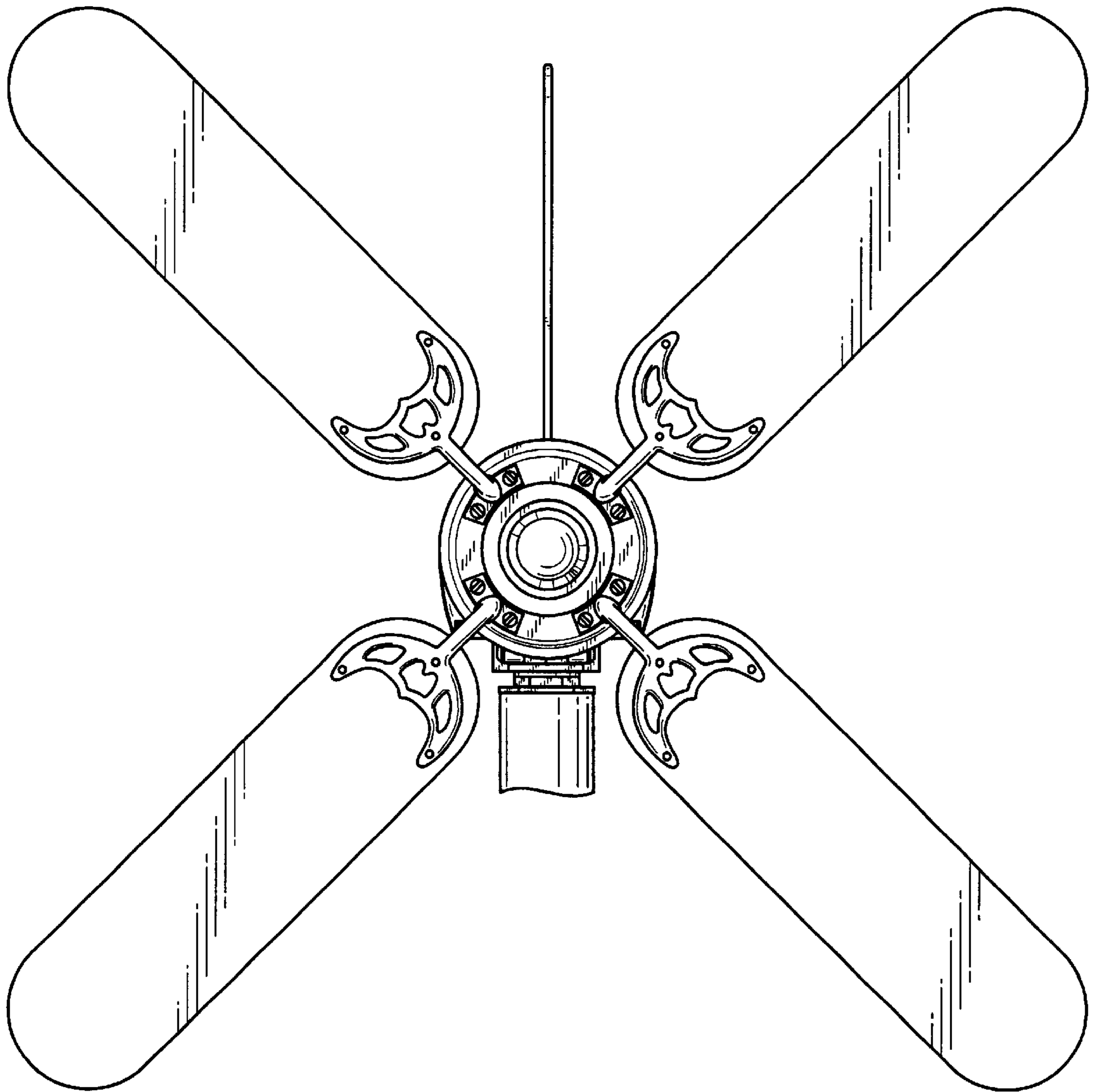


FIG. 1

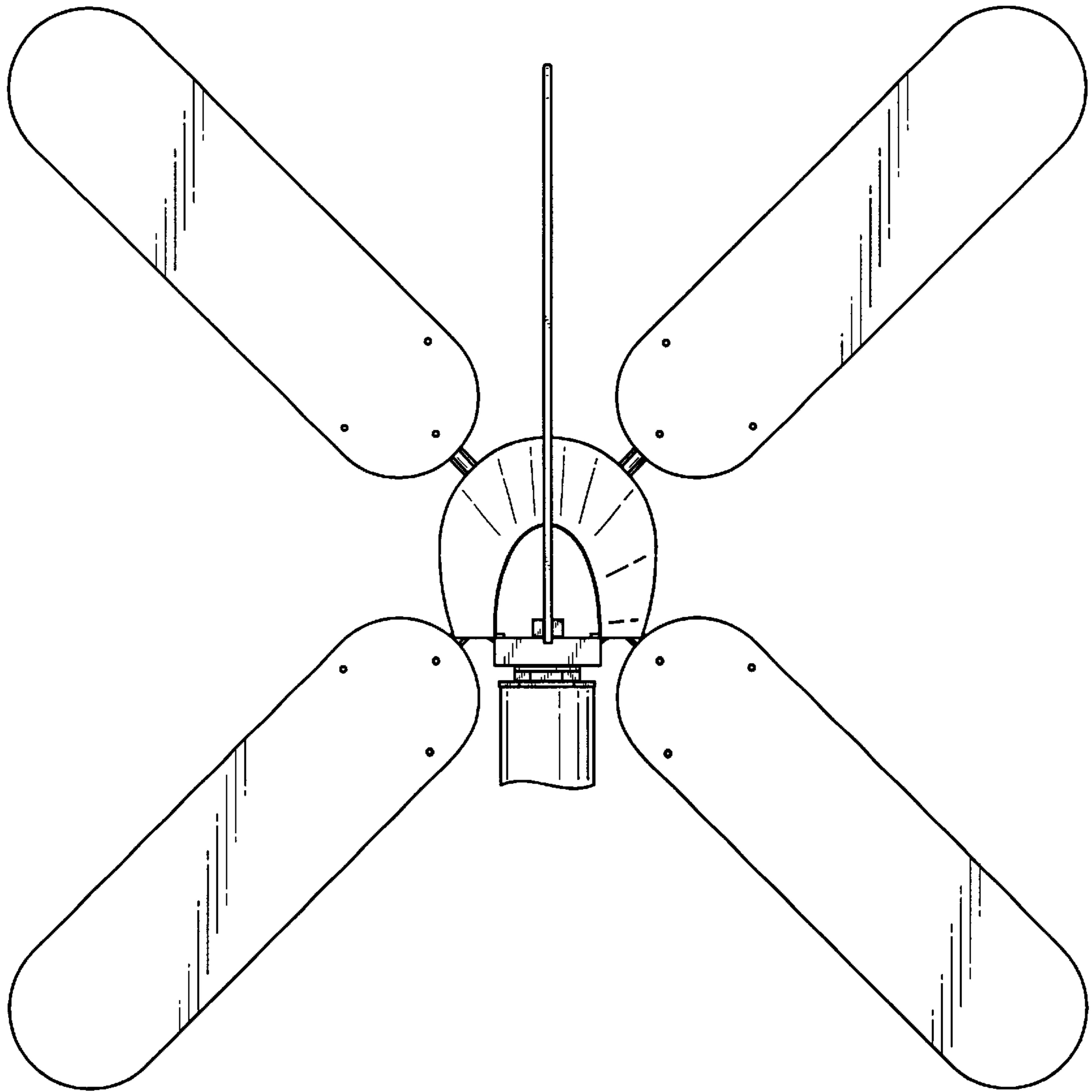


FIG. 2

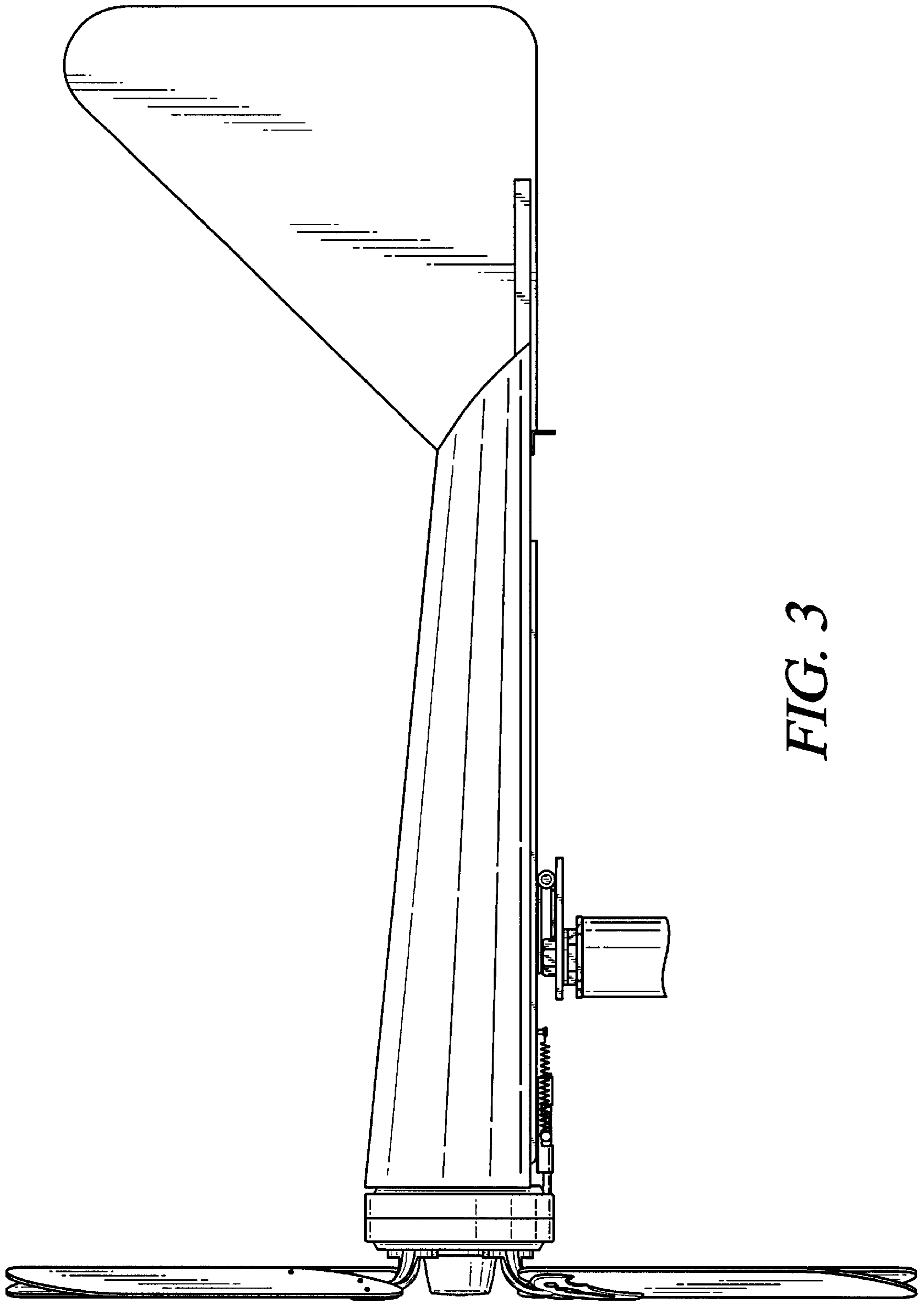


FIG. 3

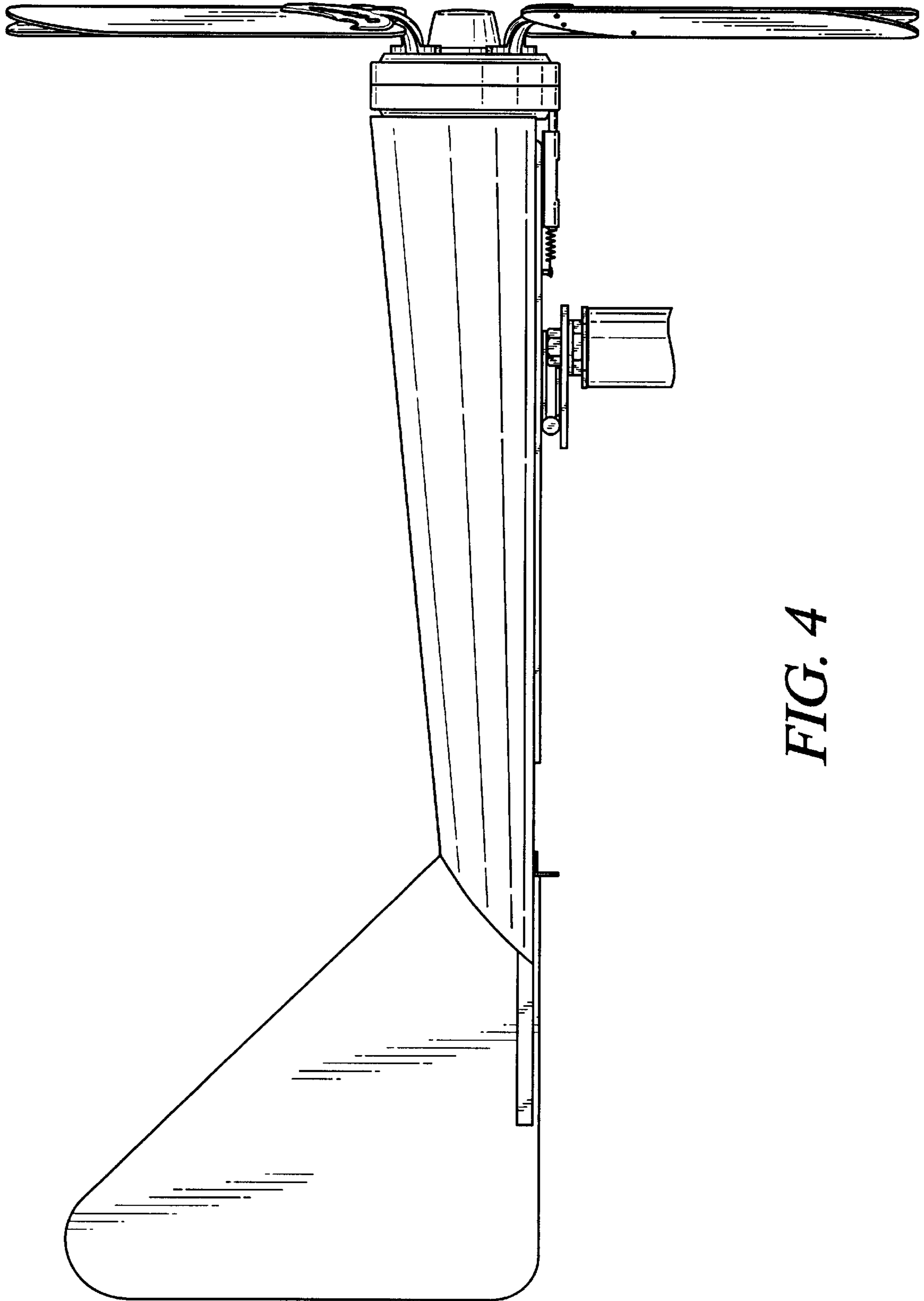


FIG. 4

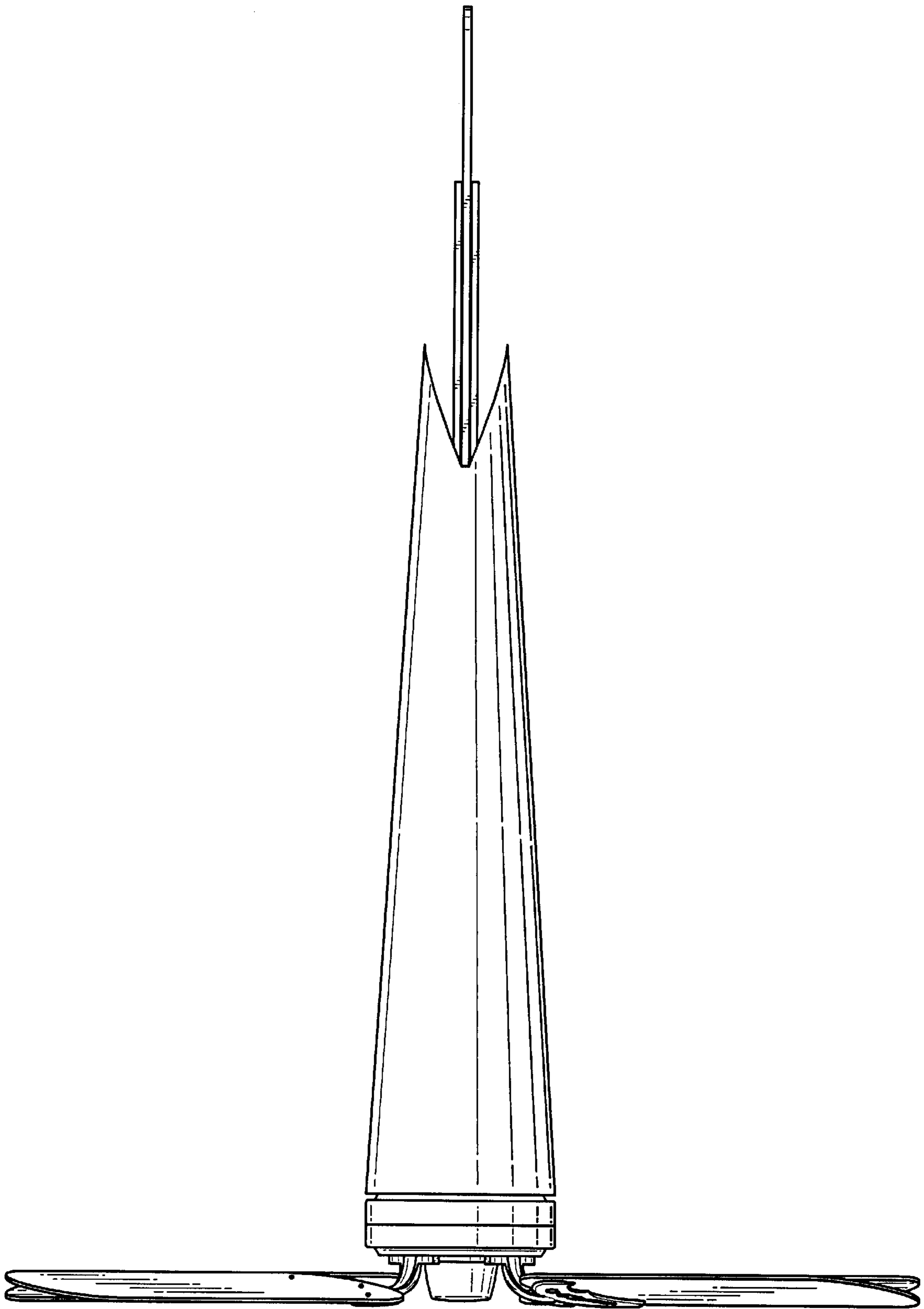


FIG. 5

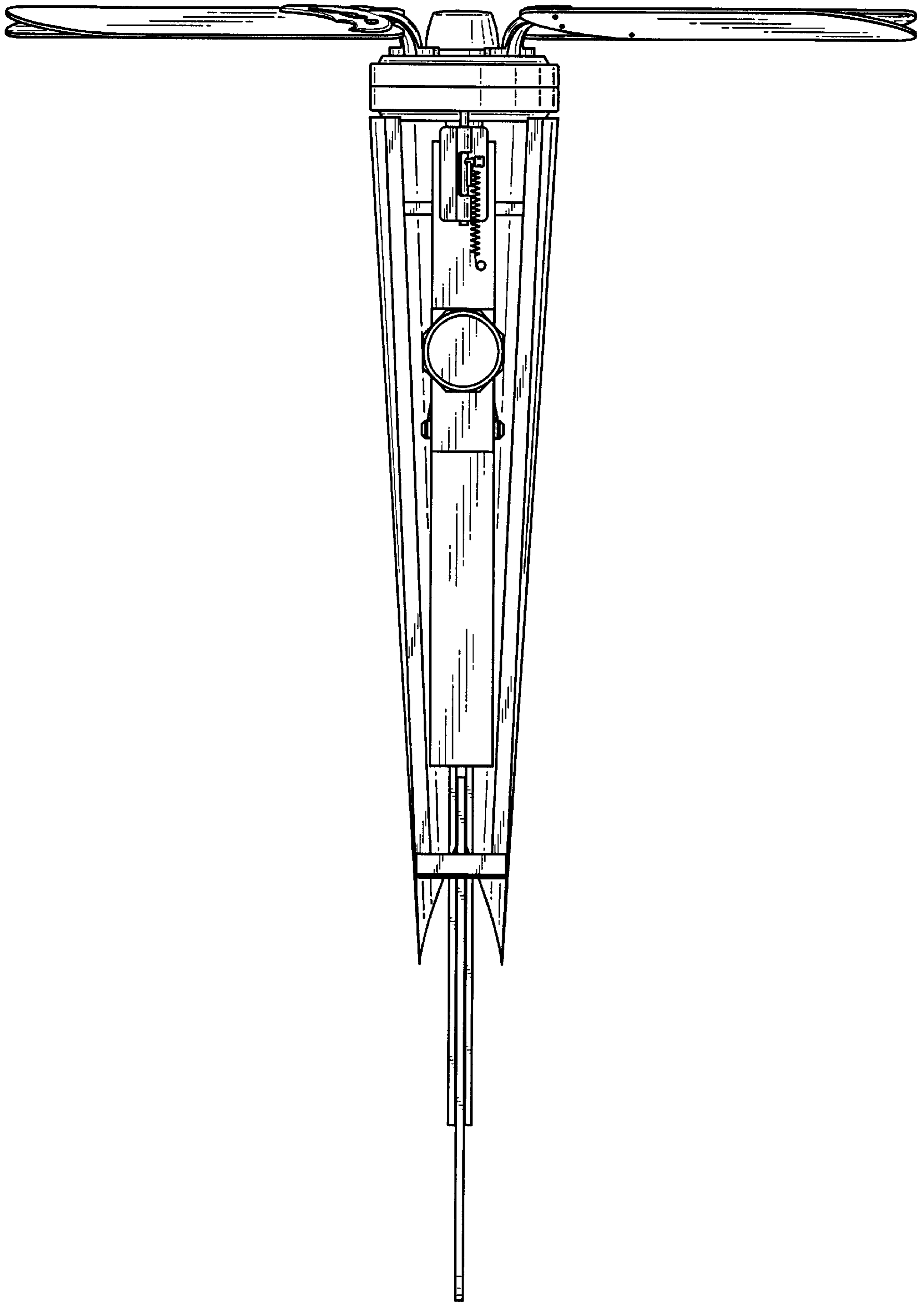


FIG. 6

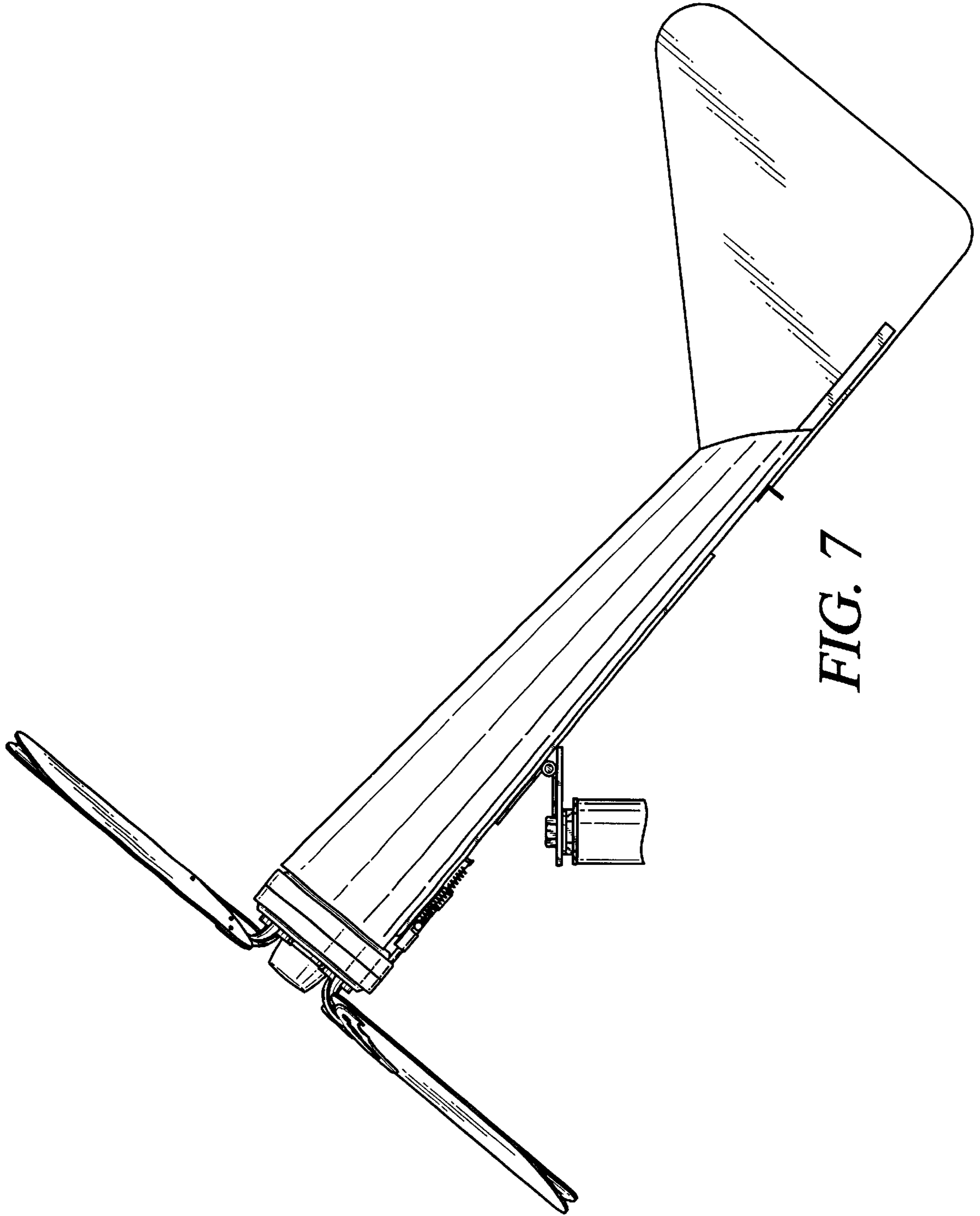


FIG. 7