



US00D484228S

(12) **United States Design Patent**
Zhang et al.

(10) **Patent No.:** **US D484,228 S**

(45) **Date of Patent:** **** Dec. 23, 2003**

(54) **AIR CLEANER**

(75) **Inventors:** **Zhiqun Zhang**, Roseville, MN (US);
Robert M. Swinehart, Marine on St.
Croix, MN (US)

(73) **Assignee:** **3M Innovative Properties Company**,
St. Paul, MN (US)

(**) **Term:** **14 Years**

(21) **Appl. No.:** **29/171,315**

(22) **Filed:** **Nov. 20, 2002**

(51) **LOC (7) Cl.** **23-04**

(52) **U.S. Cl.** **D23/364**

(58) **Field of Search** D23/364, 365,
D23/355; 55/504, 473

(56) **References Cited**

U.S. PATENT DOCUMENTS

3,458,794 A	7/1969	Bohnstedt et al.	
D377,213 S	1/1997	Wang	
D379,220 S	5/1997	Ellwood	
D388,510 S	* 12/1997	Rick et al.	D23/355
D395,146 S	6/1998	Miller et al.	
5,762,667 A	6/1998	Pippel et al.	
5,800,583 A	9/1998	Pippel et al.	

D399,943 S	* 10/1998	Ko	D23/364
D402,022 S	12/1998	Termeer et al.	
D426,293 S	6/2000	Tounsi et al.	
D434,483 S	11/2000	Pinchuk	
D449,097 S	* 10/2001	Smith et al.	D23/364
D450,377 S	* 11/2001	Terpko et al.	D23/364
6,315,821 B1	11/2001	Pillion et al.	
D459,458 S	* 6/2002	Pillion et al.	D23/364

* cited by examiner

Primary Examiner—Robin V. Taylor

(74) *Attorney, Agent, or Firm*—Gary L. Griswold; Robert W. Sprague; William J. Bond

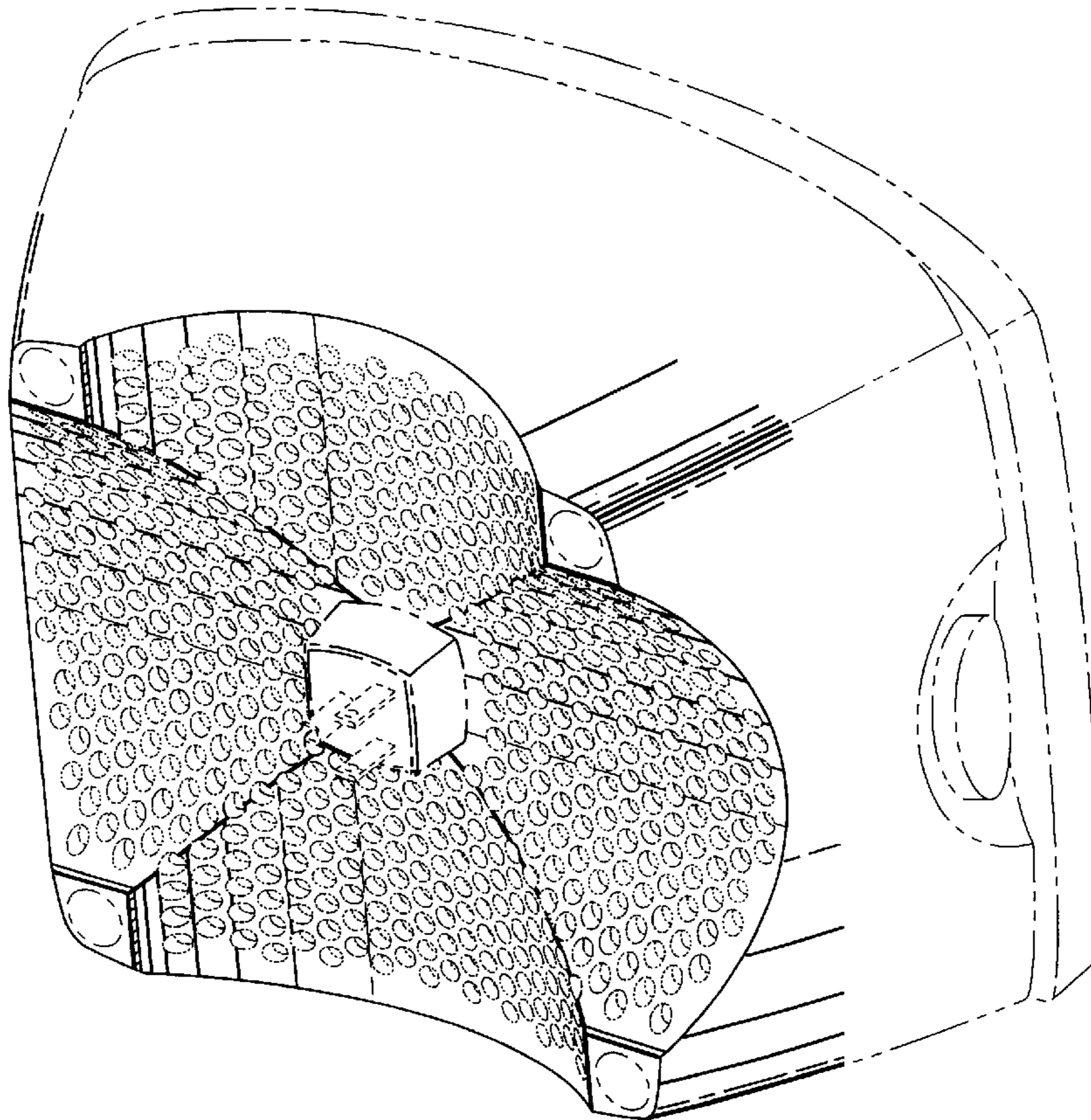
(57) **CLAIM**

The ornamental design for a air cleaner, as shown and described.

DESCRIPTION

FIG. 1 is a perspective view of a first embodiment of an air cleaning device, showing our new design; FIG. 2 is a rear view thereof; FIG. 3 is a right view thereof; FIG. 4 is a left view thereof; and, FIG. 5 is a top or bottom view thereof. The phantom line shown in the drawings forms no part of the claimed design(s).

1 Claim, 2 Drawing Sheets



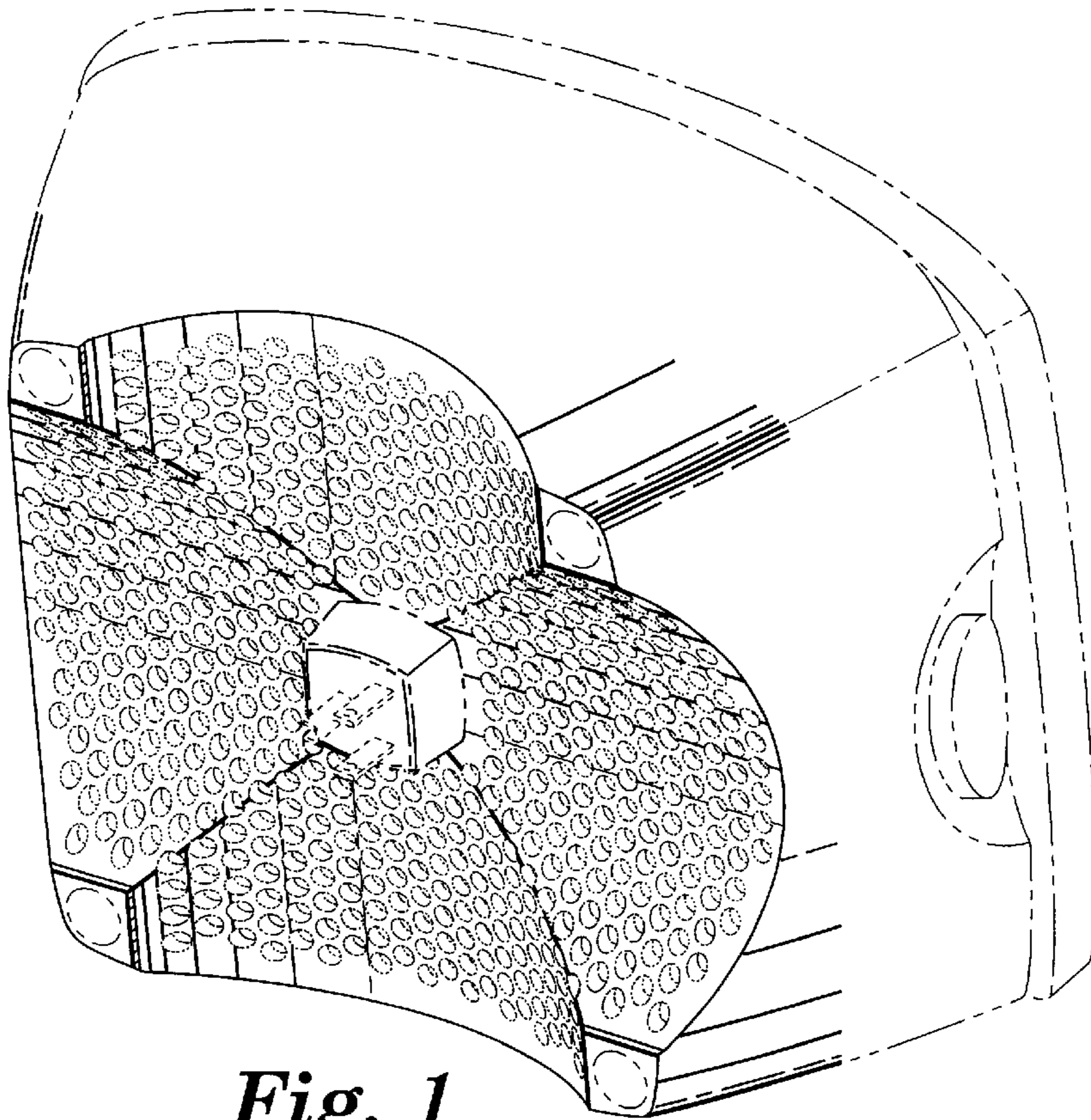


Fig. 1

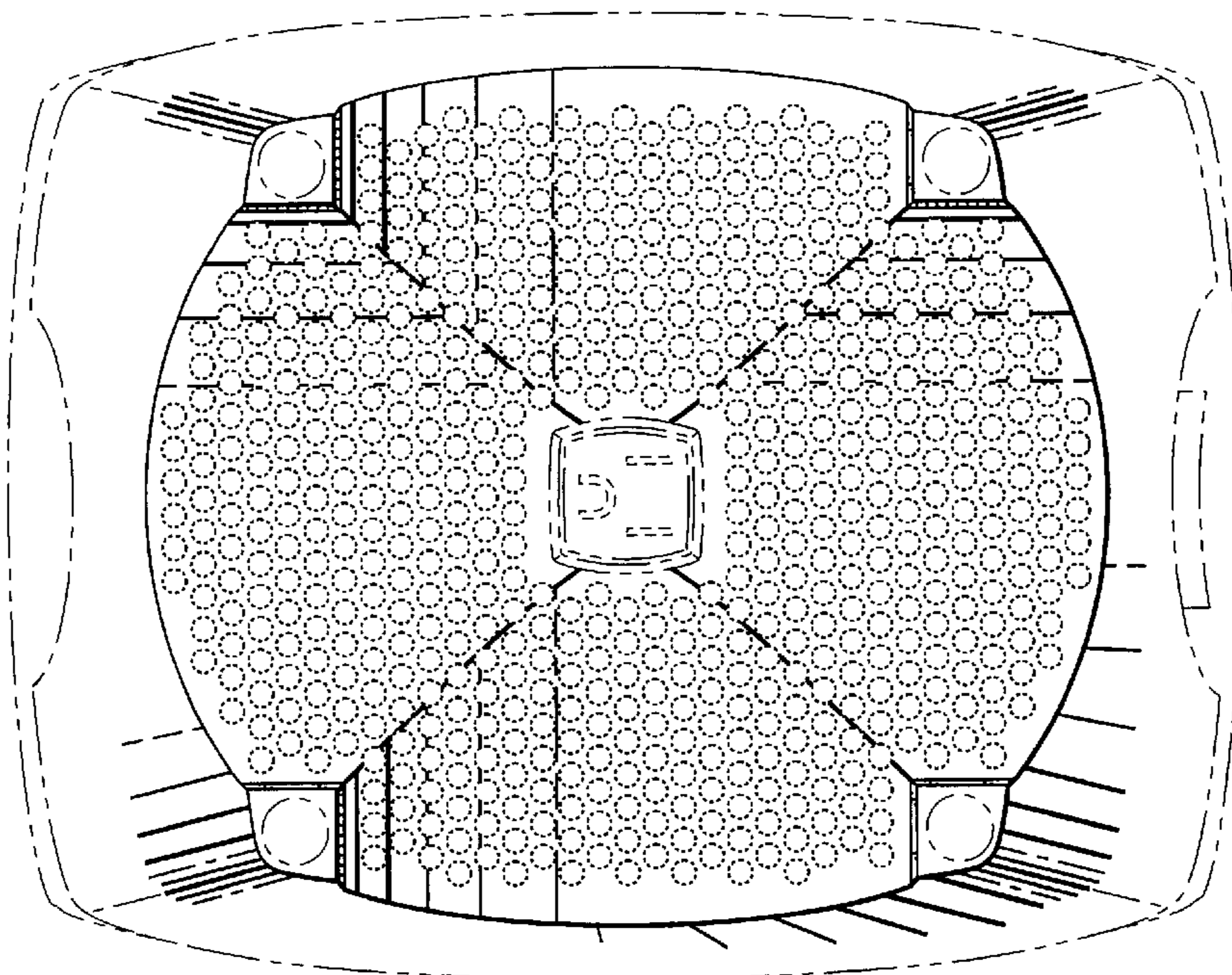


Fig. 2

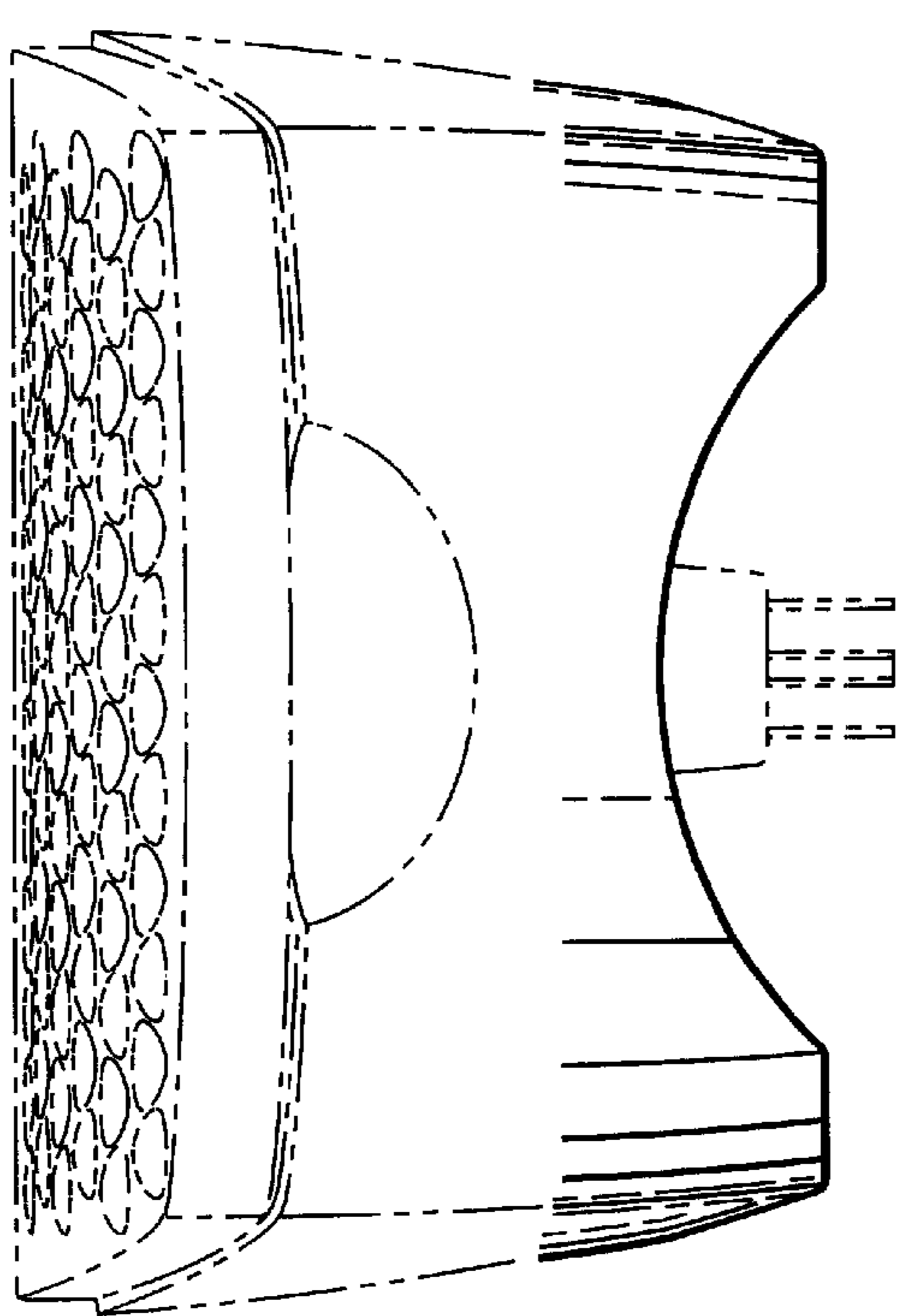


Fig. 3

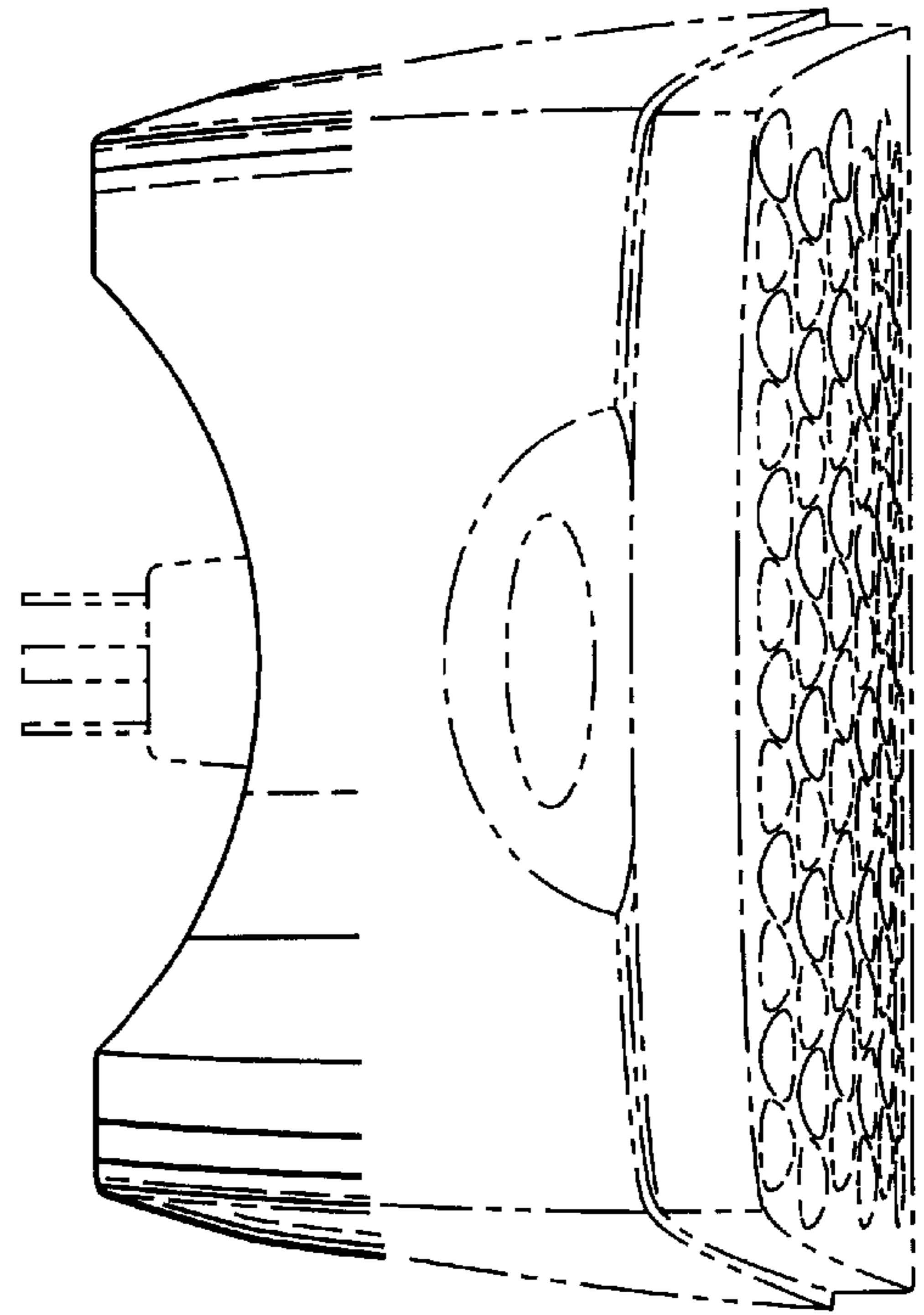


Fig. 4

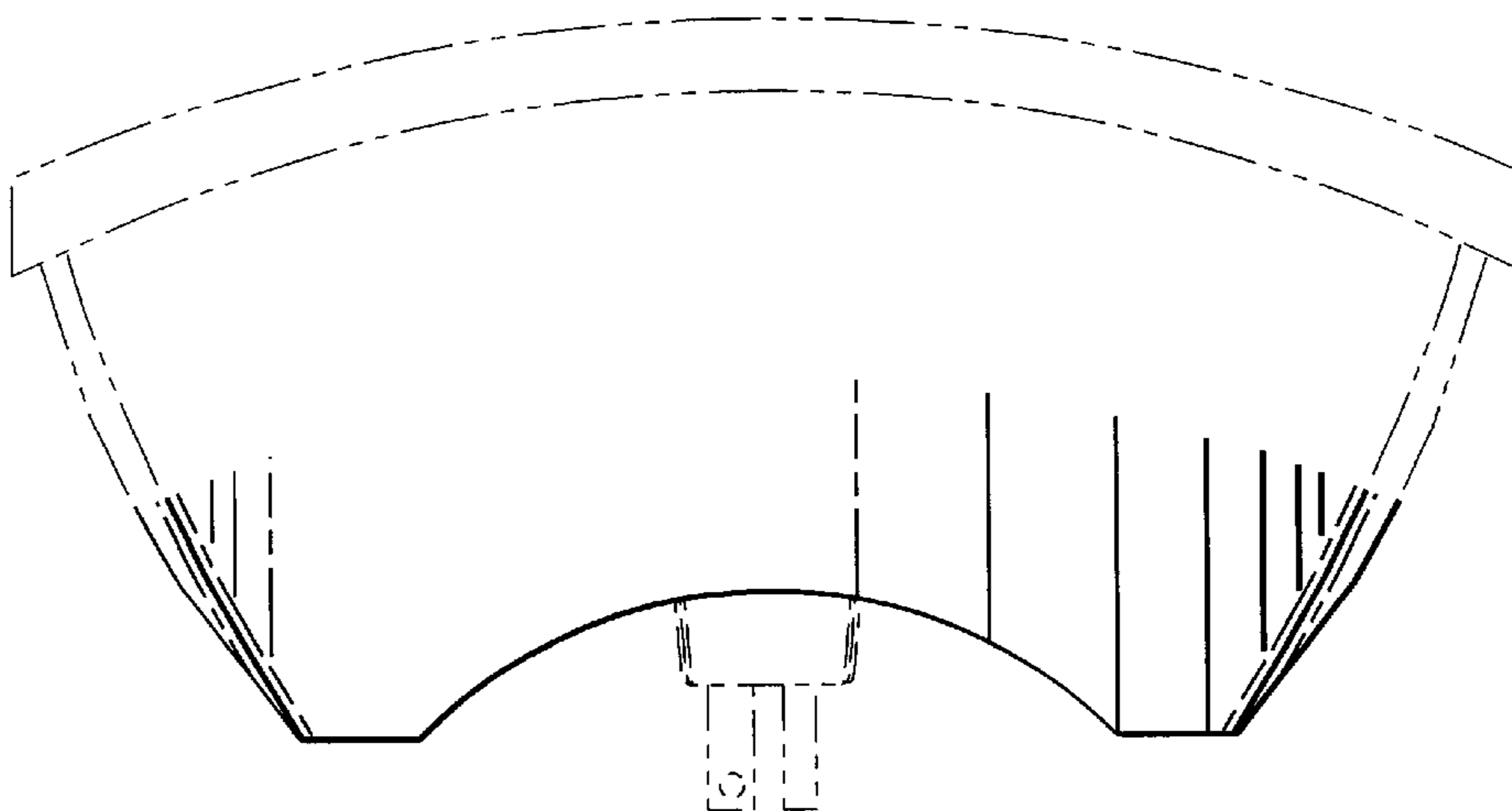


Fig. 5