



US00D484227S

(12) **United States Design Patent**
Sakemi

(10) **Patent No.:** **US D484,227 S**

(45) **Date of Patent:** **** Dec. 23, 2003**

(54) **TRAP PORTION OF A WATER CLOSET**

D438,939 S * 3/2001 Kawamura D23/295

* cited by examiner

(75) Inventor: **Koji Sakemi**, Fukuoka (JP)

Primary Examiner—Louis S. Zarfes

(73) Assignee: **Toto Ltd.**, Fukuoka (JP)

Assistant Examiner—Robert A. Delehanty

(**) Term: **14 Years**

(74) *Attorney, Agent, or Firm*—Birch, Stewart, Kolasch & Birch, LLP

(21) Appl. No.: **29/158,340**

(57) **CLAIM**

(22) Filed: **Apr. 4, 2002**

The ornamental design for trap portion of a water closet, as shown and described.

(51) **LOC (7) Cl.** **23-02**

DESCRIPTION

(52) **U.S. Cl.** **D23/309**

(58) **Field of Search** D23/270–271,
D23/273–274, 295–299, 301, 303, 309;
4/663–664, 667, 300, 329, 420, 420.3,
443–446, 449, 459, 902, DIG. 11, DIG. 12,
DIG. 15, DIG. 17

FIG. 1 is a left side perspective view of a trap portion of a water closet showing my new design;
FIG. 2 is a right side perspective view thereof;
FIG. 3 is a right side elevational view thereof;
FIG. 4 is a left side elevational view thereof; and,
FIG. 5 is a rear elevational view thereof.

(56) **References Cited**

The broken lines shown in FIGS. 1–5 are for the purpose of showing environmental structure only and form no part of the claimed design.

U.S. PATENT DOCUMENTS

D406,329 S 3/1999 Kawamura et al.

1 Claim, 3 Drawing Sheets

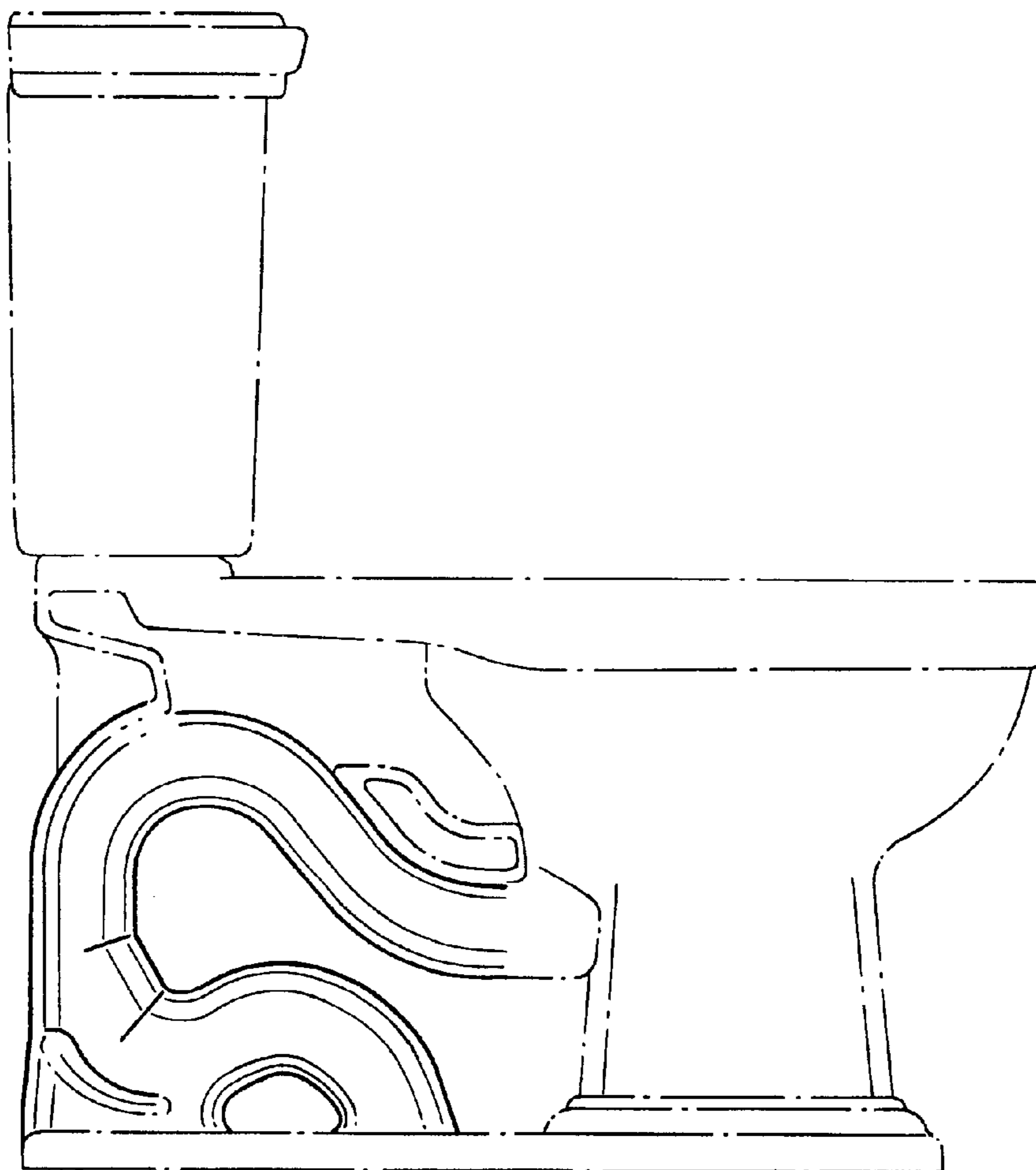


FIG. 2

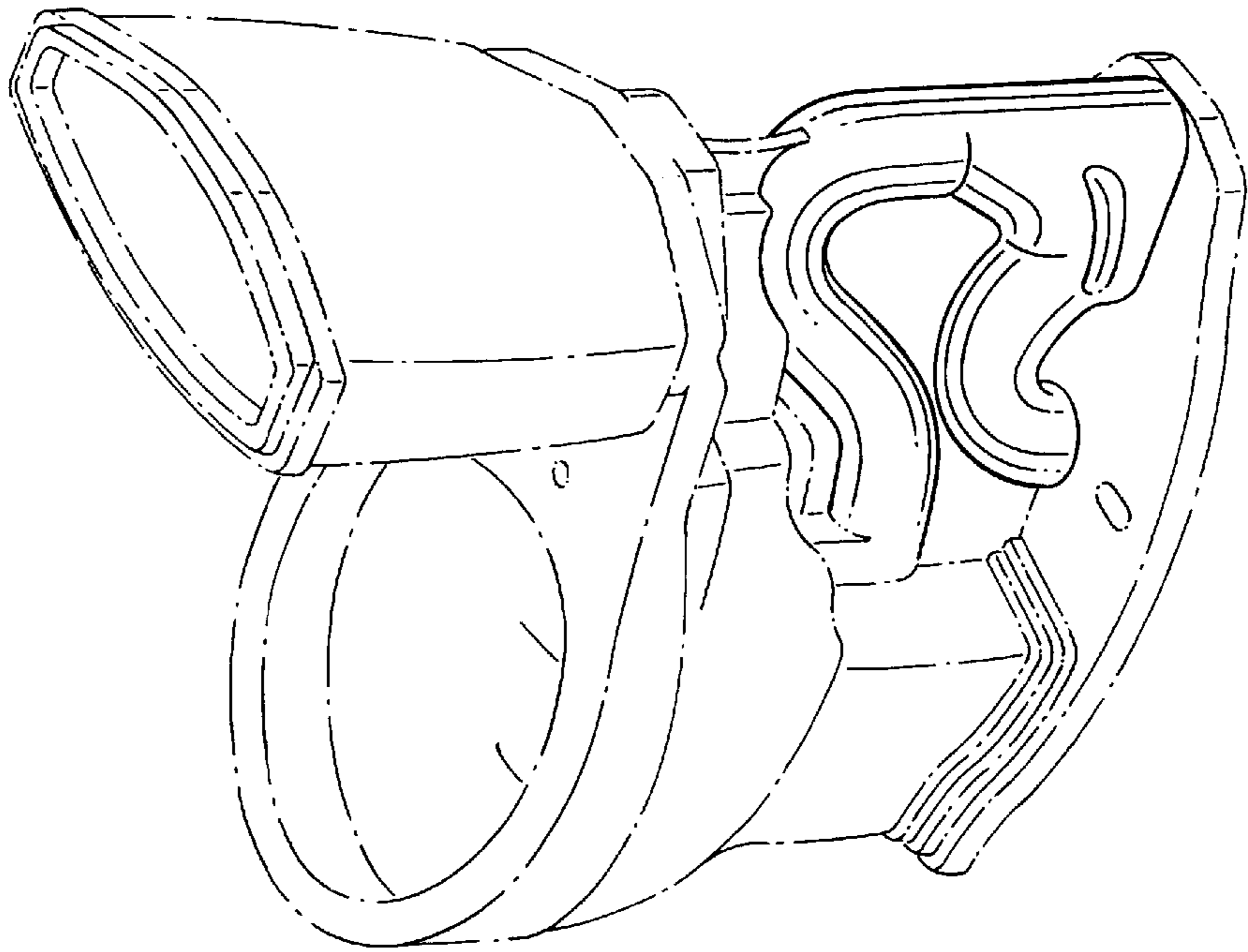


FIG. 1

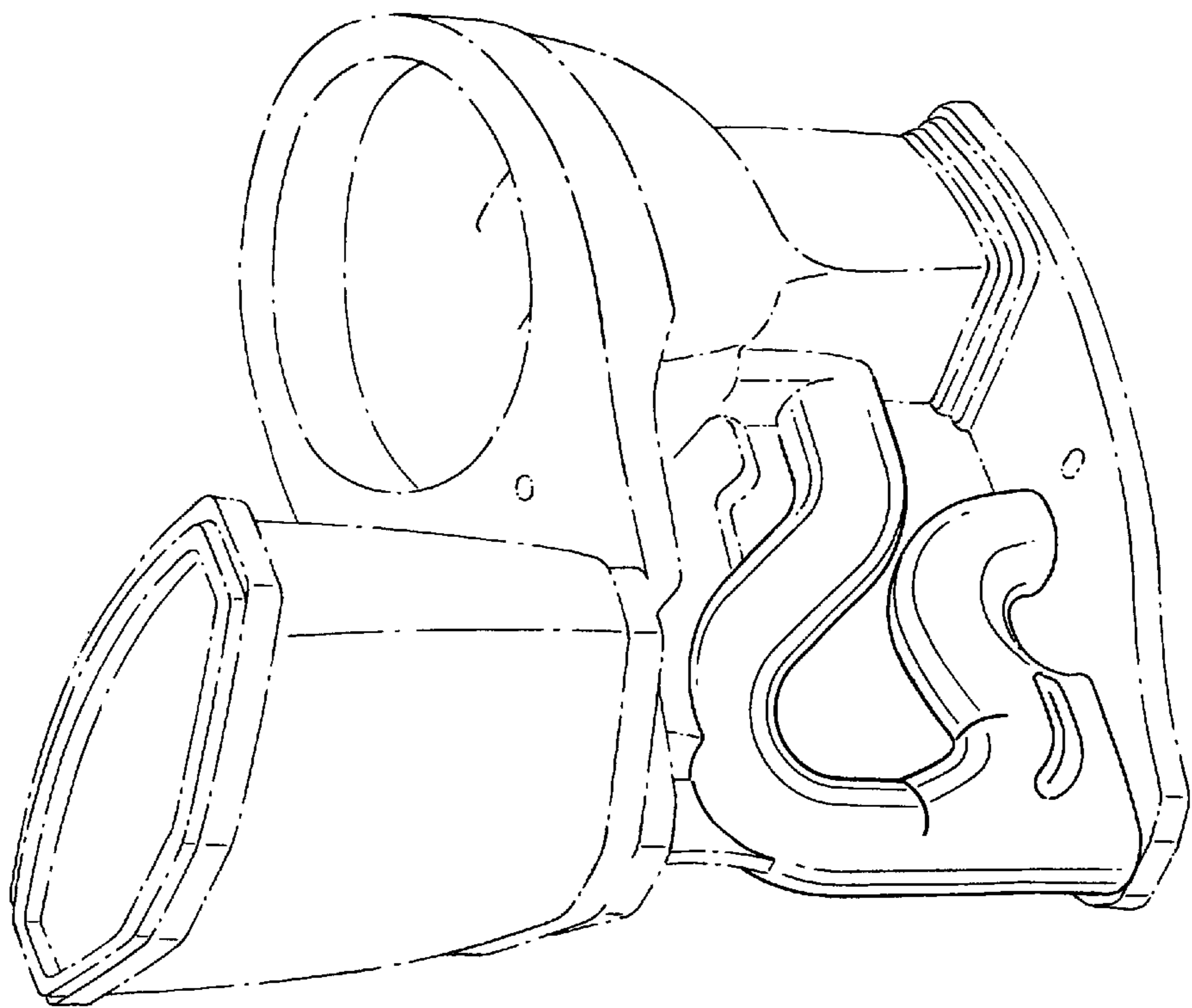


FIG. 3

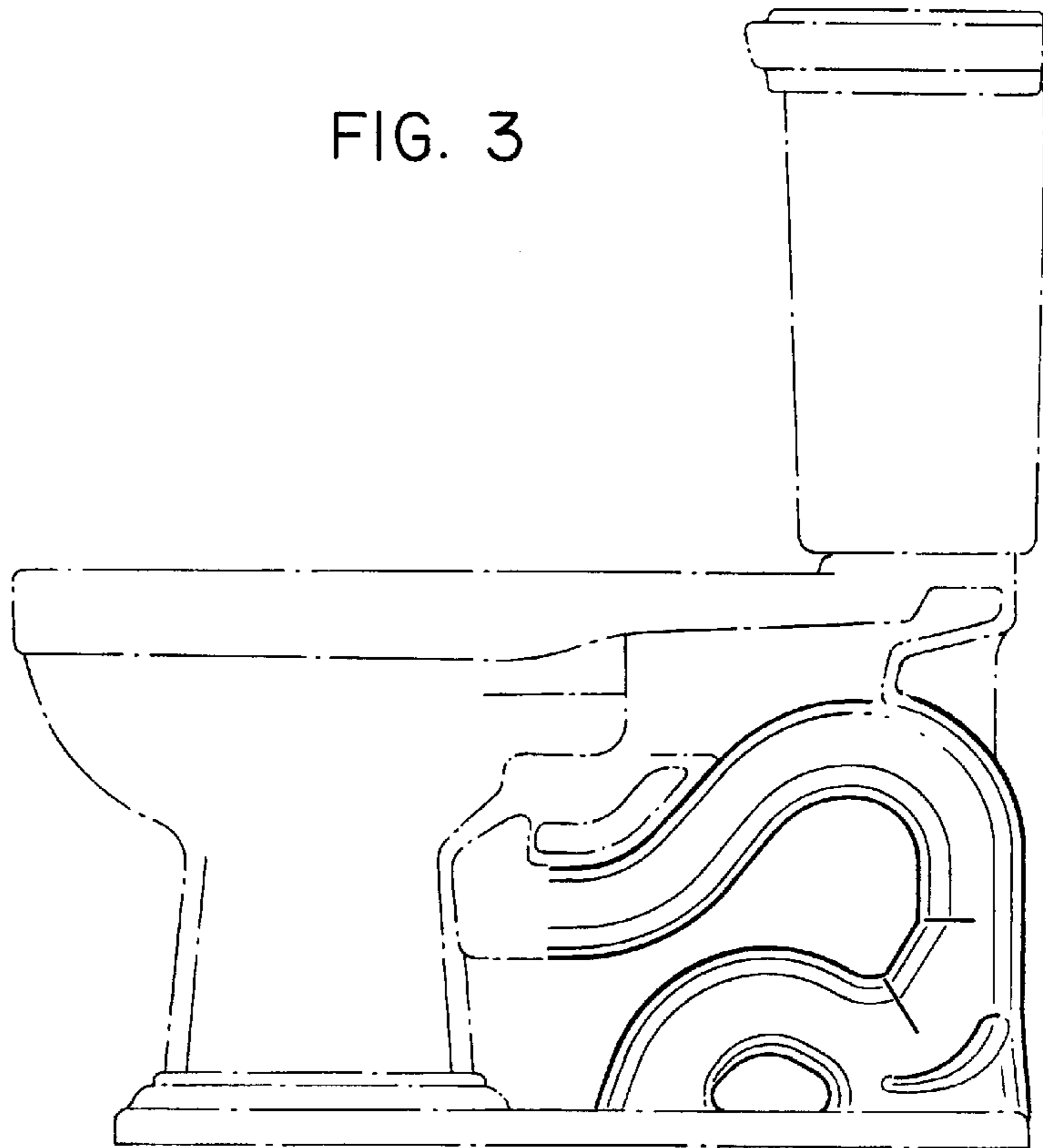


FIG. 4

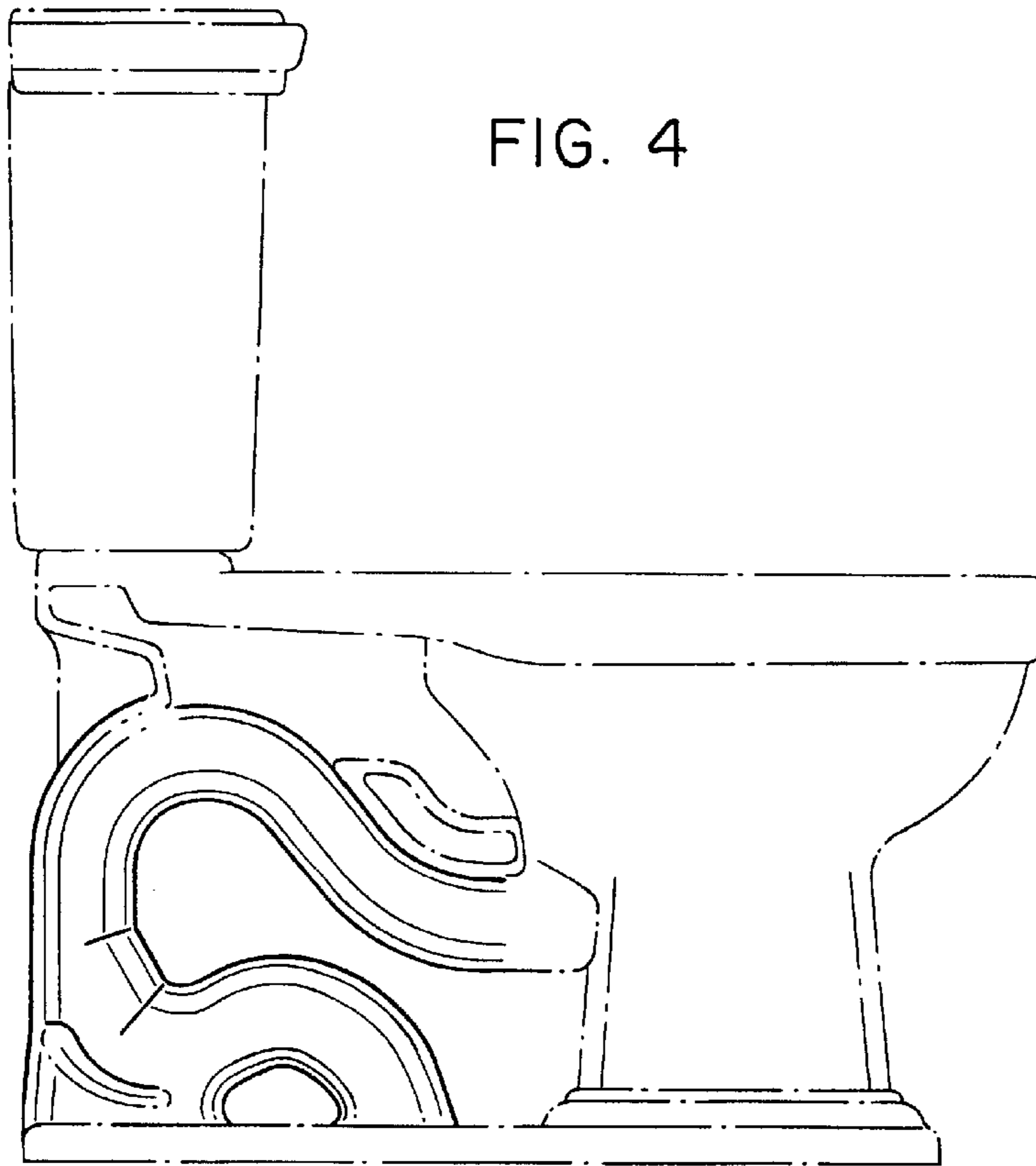


FIG. 5

