



US00D484226S

(12) **United States Design Patent**  
**Cropelli**

(10) **Patent No.:** **US D484,226 S**

(45) **Date of Patent:** **\*\* Dec. 23, 2003**

(54) **SLIDING RAIL**

(75) **Inventor:** **Serafino Cropelli**, Lumezzane S.A. (IT)

(73) **Assignee:** **Sanicro S.r.l.**, Cailina di Villa Carcina (IT)

(\*\*) **Term:** **14 Years**

(21) **Appl. No.:** **29/180,239**

(22) **Filed:** **Apr. 21, 2003**

**Related U.S. Application Data**

(62) Division of application No. 29/162,592, filed on Jun. 17, 2002.

(51) **LOC (7) Cl.** ..... **23-02**

(52) **U.S. Cl.** ..... **D23/304**

(58) **Field of Search** ..... D23/213, 223,  
D23/229, 273, 275, 283, 303, 304; 4/552,  
555, 567-568, 596-605, 615, 616-617,  
618, 900, 903

(56) **References Cited**

**U.S. PATENT DOCUMENTS**

D440,864 S \* 4/2001 Cropelli ..... D23/304

D442,680 S \* 5/2001 Chan ..... D23/304

D466,202 S \* 11/2002 Tse ..... D23/304

\* cited by examiner

*Primary Examiner*—Louis S. Zarfes

*Assistant Examiner*—Robert A. Delehanty

(74) *Attorney, Agent, or Firm*—McGlew and Tuttle, P.C.

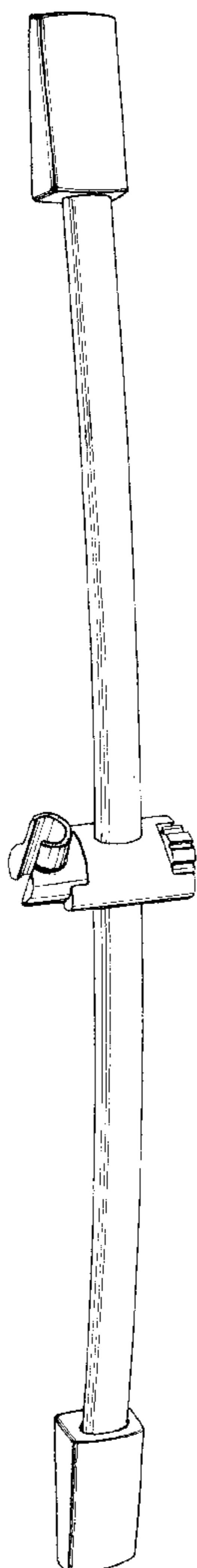
(57) **CLAIM**

The ornamental design for a sliding rail, as shown and described.

**DESCRIPTION**

FIG. 1 is a perspective view of my new sliding rail design; FIG. 2 is a front view of the sliding rail of FIG. 1; and, FIG. 3 is a right side view of the sliding rail of FIG. 1.

**1 Claim, 1 Drawing Sheet**



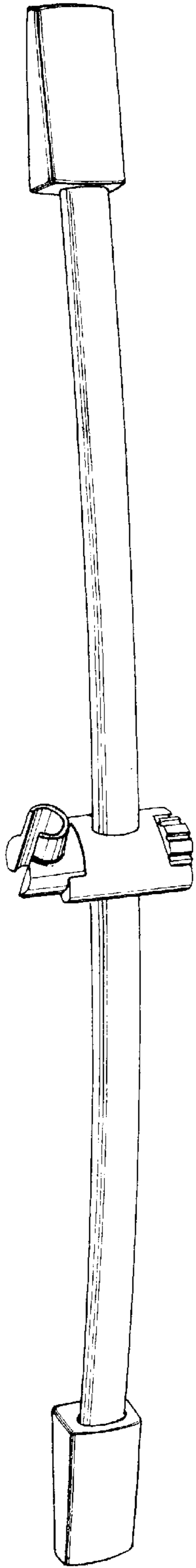


Fig. 1

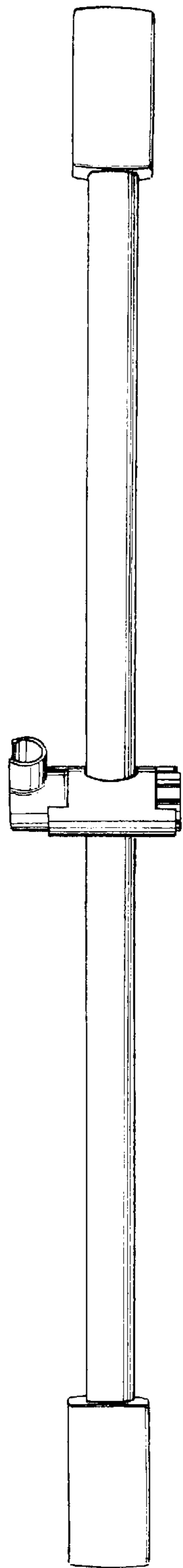


Fig. 2

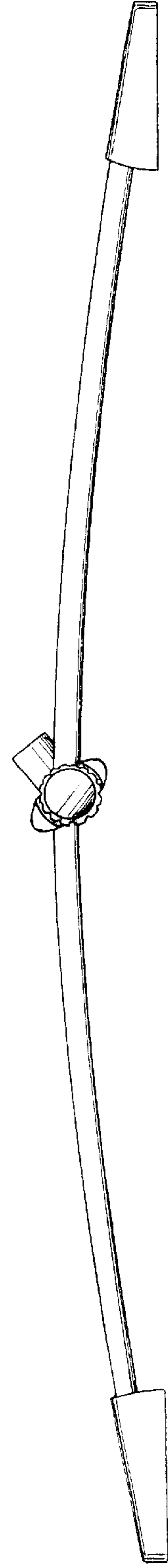


Fig. 3