



US00D484223S

(12) **United States Design Patent**  
**Tani et al.**

(10) **Patent No.:** **US D484,223 S**

(45) **Date of Patent:** **\*\* Dec. 23, 2003**

(54) **WATER CLOSET**

D383,832 S \* 9/1997 Kawamura et al. .... D23/295  
D453,819 S \* 2/2002 Tani ..... D23/295

(75) Inventors: **Junichi Tani**, Fukuoka (JP); **Mari Ooe**,  
Fukuoka (JP); **Yoshitaka Mukai**,  
Fukuoka (JP)

\* cited by examiner

(73) Assignee: **Toto Ltd.**, Fukuoka (JP)

*Primary Examiner*—Louis S. Zarfes

(\*\*) Term: **14 Years**

*Assistant Examiner*—Robert A. Delehanty

(21) Appl. No.: **29/167,941**

(74) *Attorney, Agent, or Firm*—Birch, Stewart, Kolasch &  
Birch, LLP

(22) Filed: **Sep. 25, 2002**

(57) **CLAIM**

(30) **Foreign Application Priority Data**

The ornamental design for a water closet, as shown and  
described.

Mar. 25, 2002 (JP) ..... 2002-007665

**DESCRIPTION**

(51) **LOC (7) Cl.** ..... **23-02**

FIG. 1 is a front perspective view of a water closet showing  
our new design;

(52) **U.S. Cl.** ..... **D23/295**

FIG. 2 is a right side view thereof;

(58) **Field of Search** ..... D23/273-274,  
D23/295-299, 301, 303, 309, 311-313;  
4/667, 300, 328, 329, 420, 443-446, 449,  
460, 478, 234, 237, 242.1

FIG. 3 is a left side view thereof;

FIG. 4 is a front elevational view thereof;

FIG. 5 is a rear elevational view thereof;

FIG. 6 is a top plan view thereof; and,

FIG. 7 is a bottom plan view thereof.

(56) **References Cited**

**U.S. PATENT DOCUMENTS**

D382,334 S \* 8/1997 Kawamura et al. .... D23/295

**1 Claim, 2 Drawing Sheets**

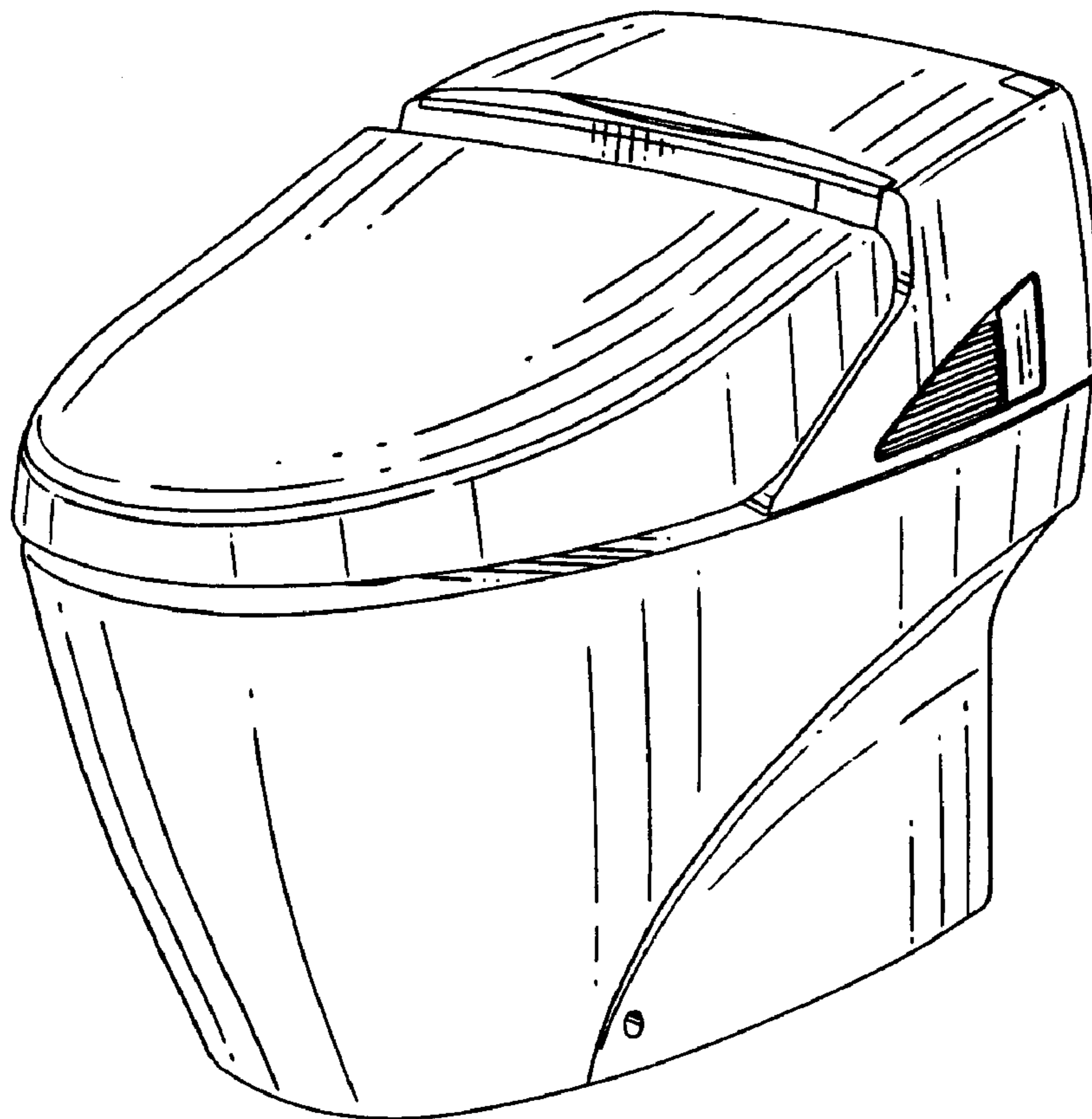


FIG. 1

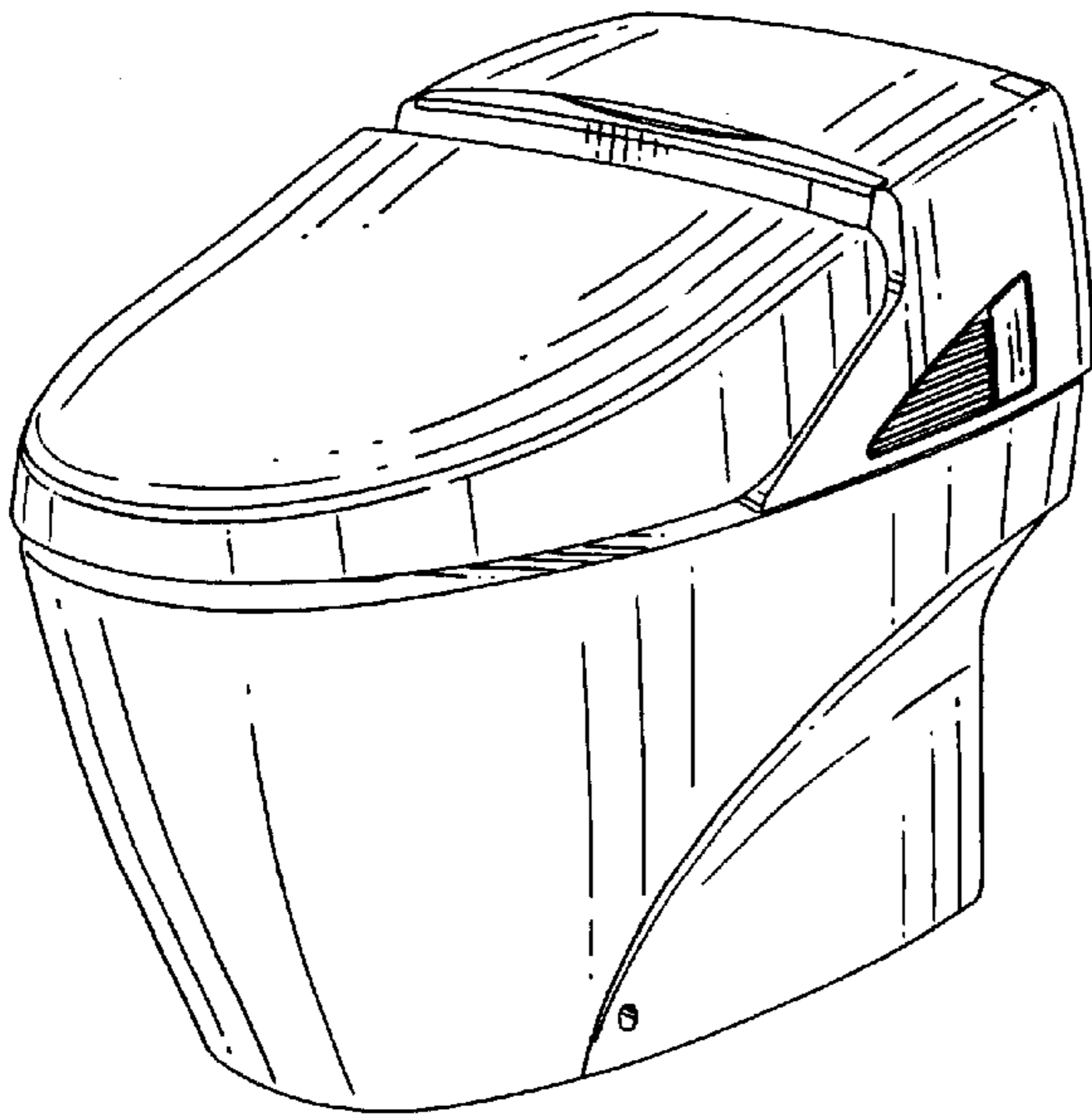


FIG. 2

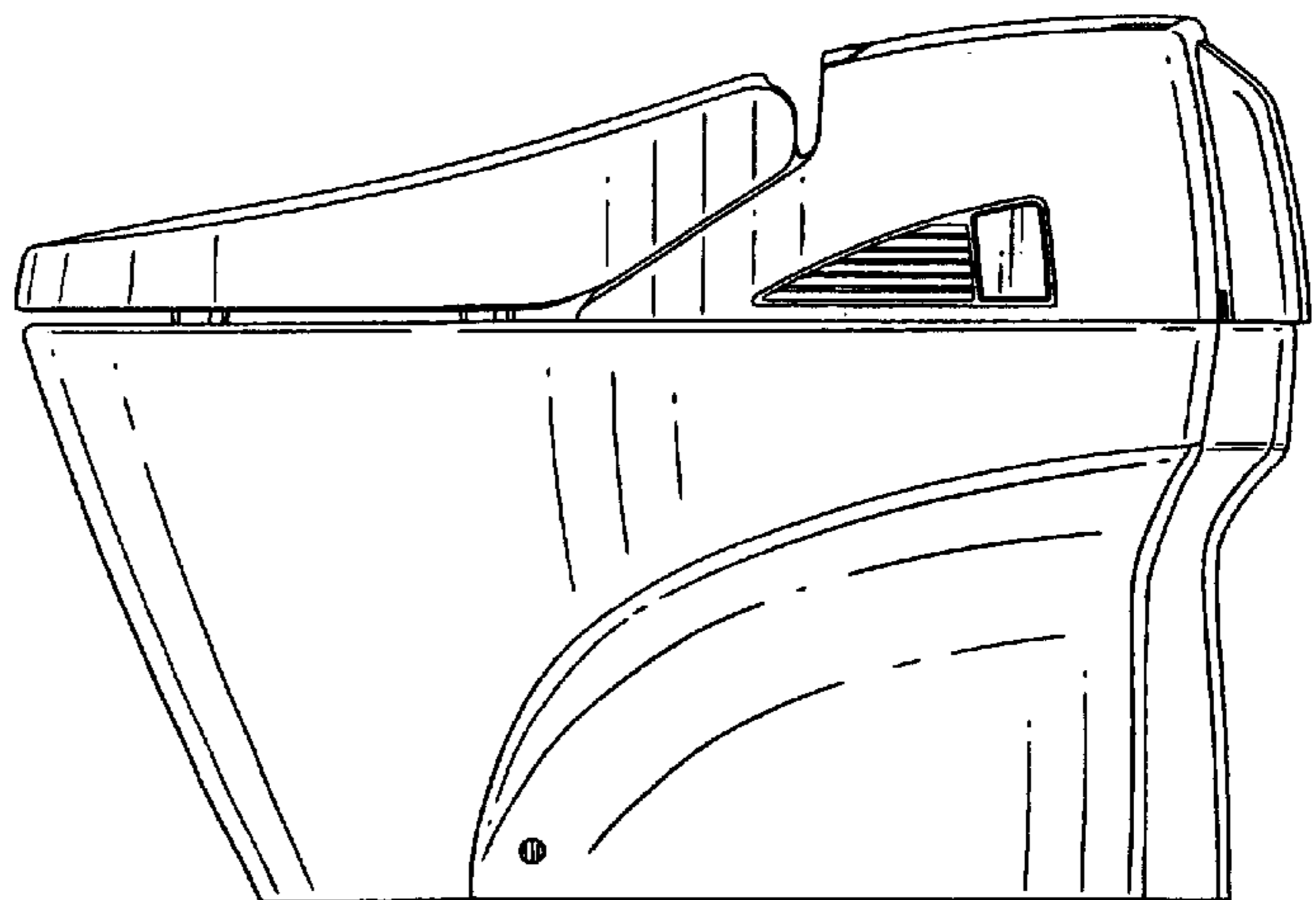


FIG. 3

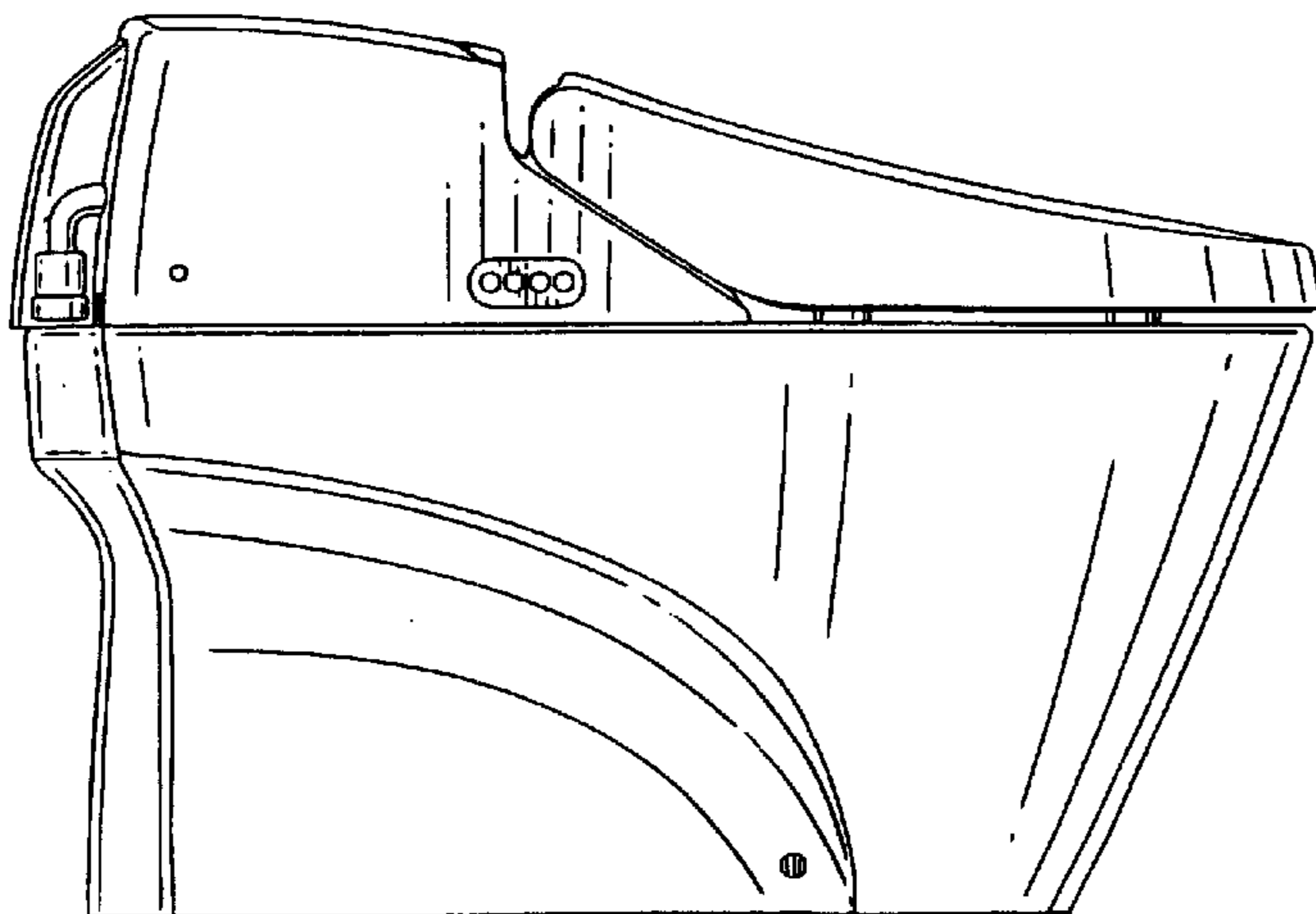


FIG. 4

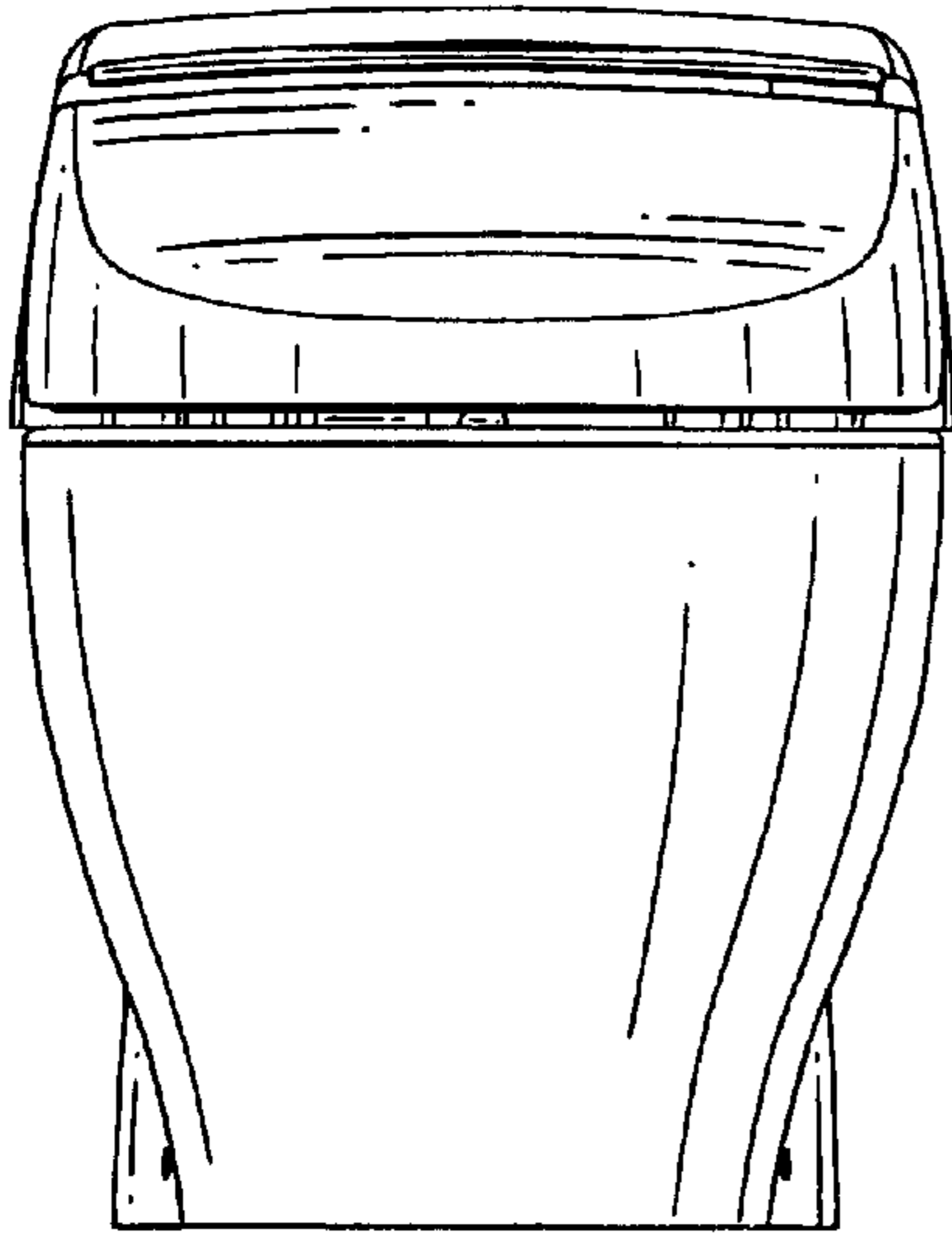


FIG. 5

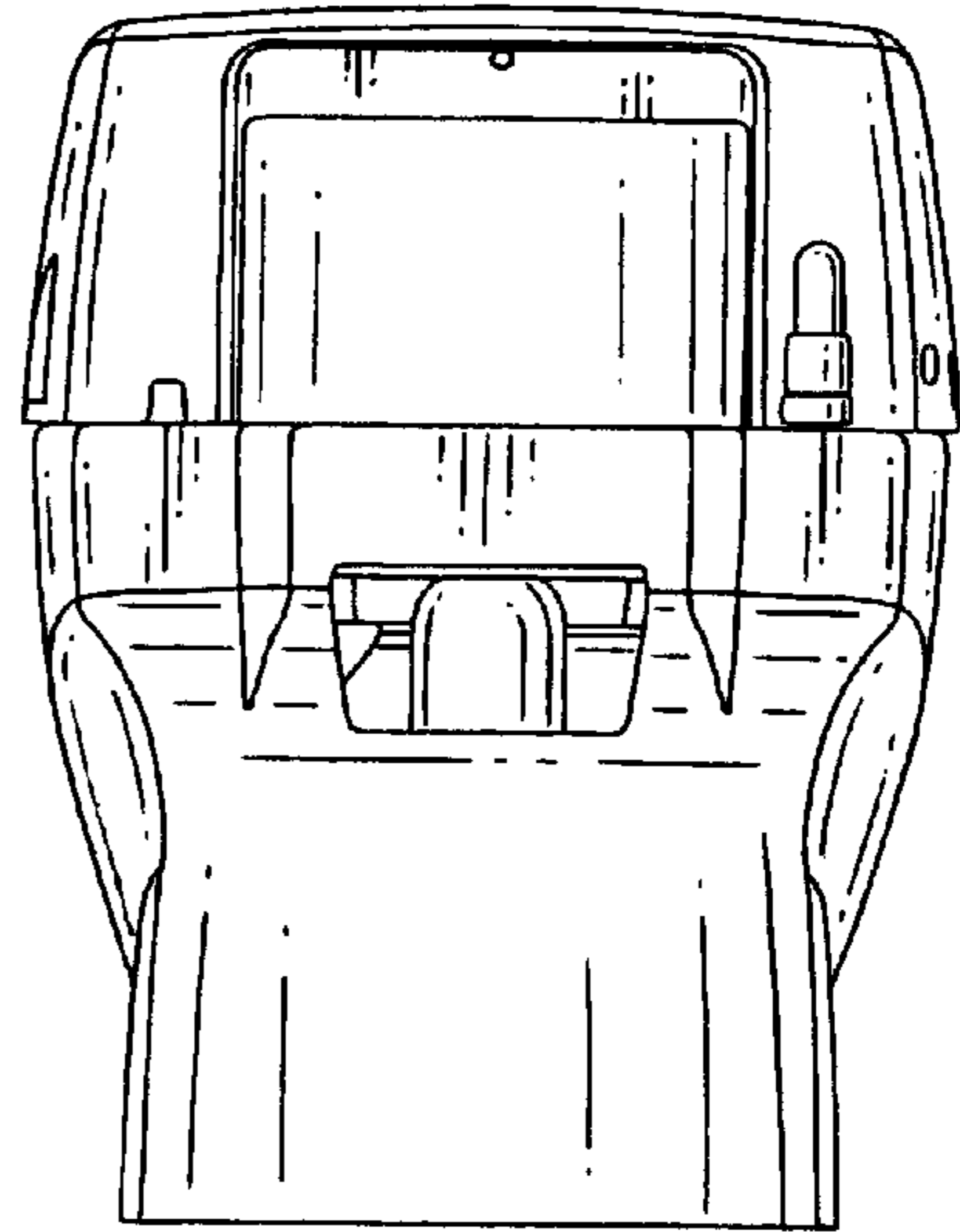


FIG. 6

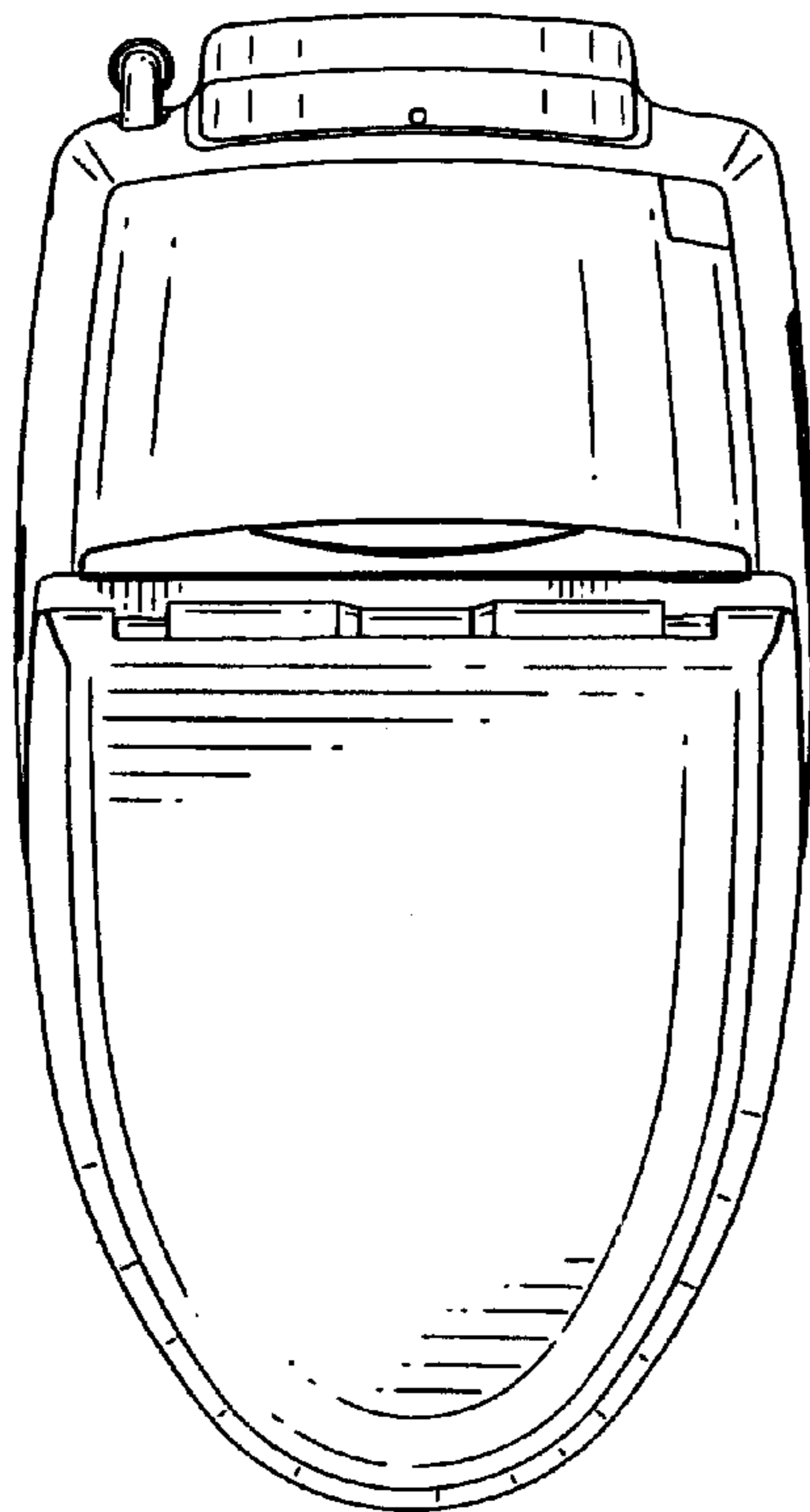


FIG. 7

