



US00D484222S

(12) **United States Design Patent**
Zenobio

(10) **Patent No.:** **US D484,222 S**

(45) **Date of Patent:** **** Dec. 23, 2003**

(54) **MONOLITHIC SINK AND COUNTERTOP**

(76) **Inventor:** **Richard Andrew Zenobio**, 555
Mountain Springs Rd., Paso Robles, CA
(US) 93446

(**) **Term:** **14 Years**

(21) **Appl. No.:** **29/181,243**

(22) **Filed:** **May 6, 2003**

(51) **LOC (7) Cl.** **23-02**

(52) **U.S. Cl.** **D23/293.1**

(58) **Field of Search** D23/270-271,
D23/273, 284-286, 293.1, 303, 308; 4/662-665,
619, 630, 635, 650, 660, 661

(56) **References Cited**

U.S. PATENT DOCUMENTS

D444,868 S * 7/2001 Millard et al. D23/308
D453,209 S * 1/2002 Pila D23/286
D464,128 S * 10/2002 Piano D23/293.1

* cited by examiner

Primary Examiner—Louis S. Zarfaz
Assistant Examiner—Robert A. Delehanty
(74) *Attorney, Agent, or Firm*—Philip A. Steiner

(57) **CLAIM**

The ornamental design for a monolithic sink and countertop,
as shown and described.

DESCRIPTION

FIG. 1 is a perspective view showing the design of the
monolithic skin and countertop.

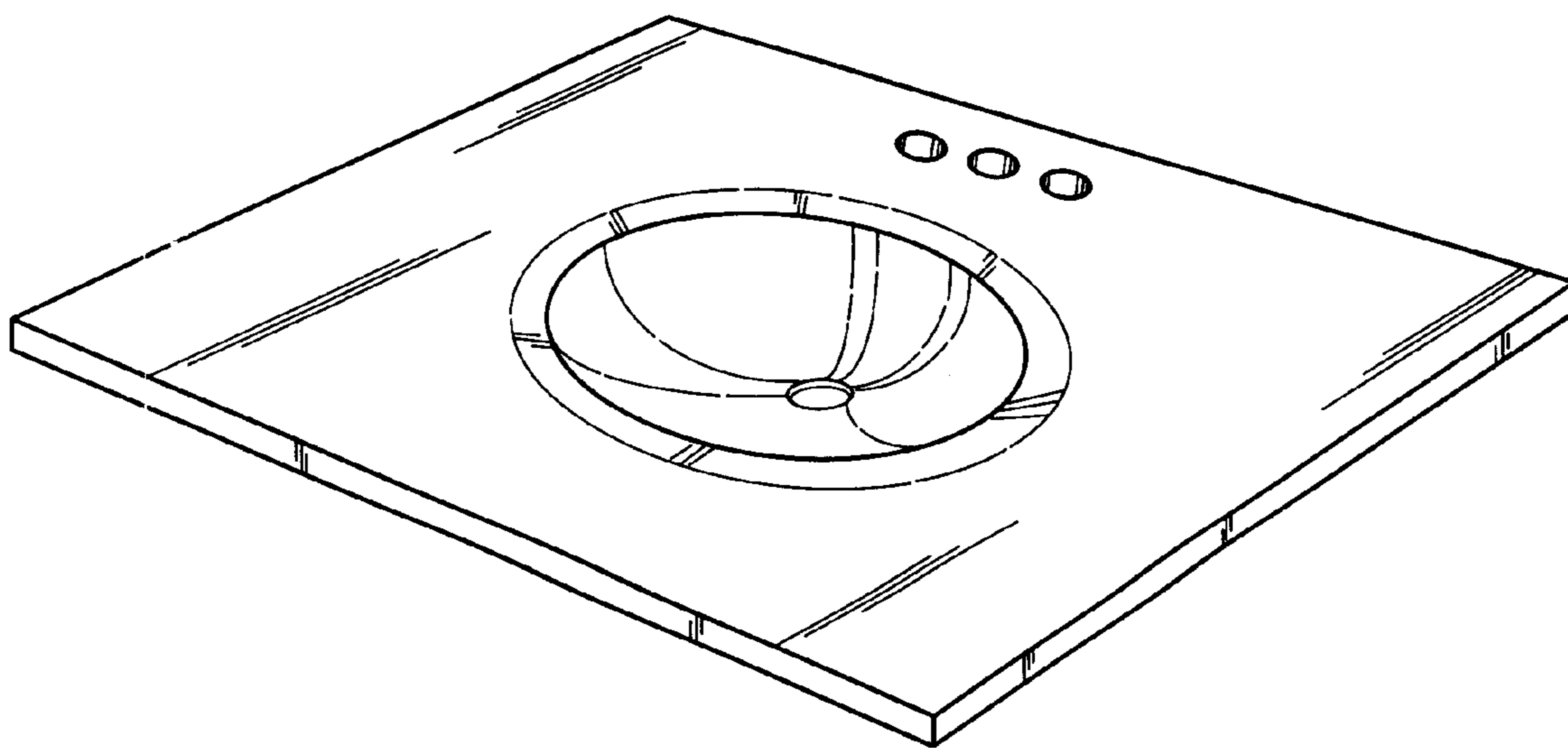
FIG. 2 is a top view showing the design of the monolithic
skin and countertop.

FIG. 3 is a front view showing the design of the monolithic
skin and countertop.

FIG. 4 is a side view showing the design of the monolithic
skin and countertop; and,

FIG. 5 is a side cross-sectional view showing the design of
the monolithic skin and countertop.

1 Claim, 2 Drawing Sheets



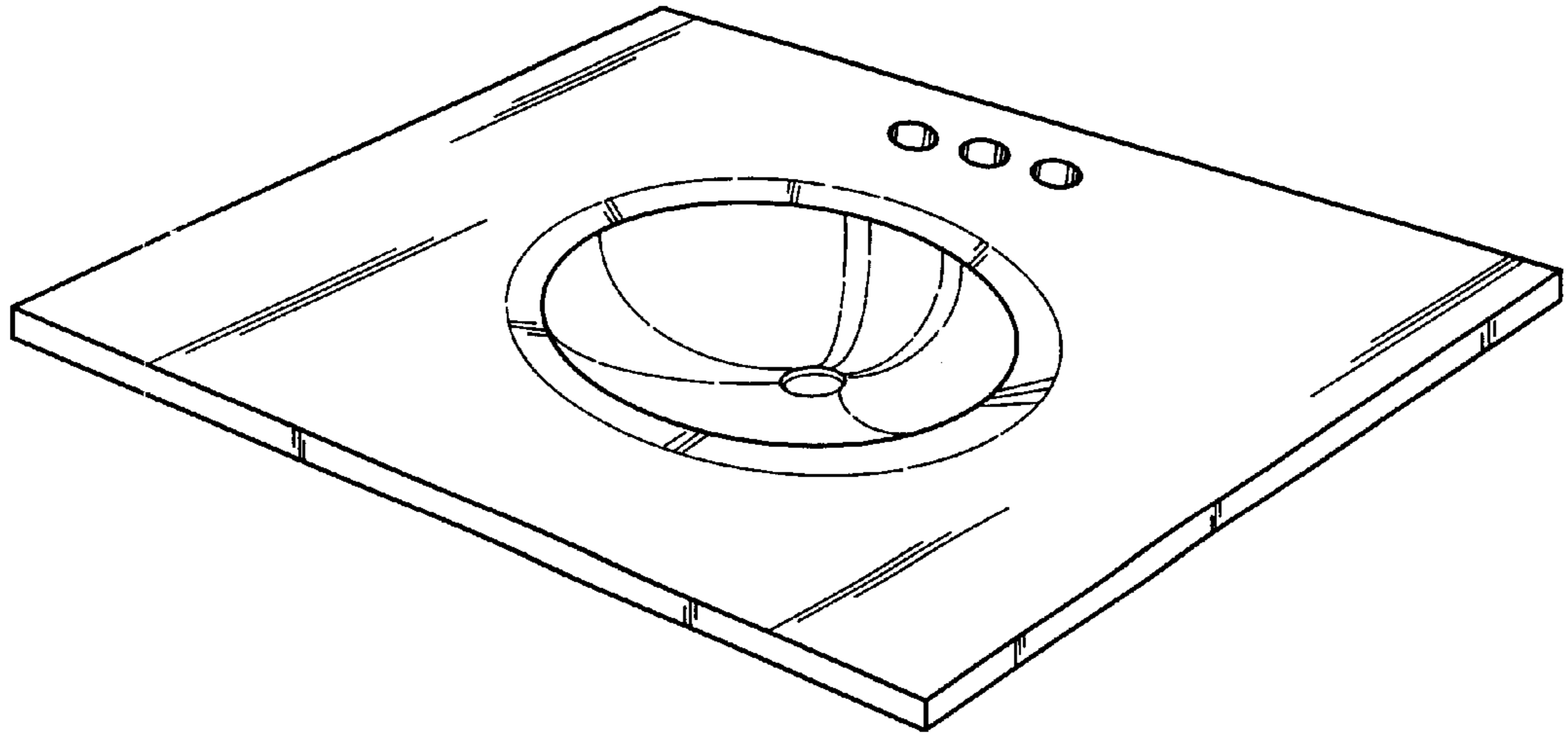


Fig. 1

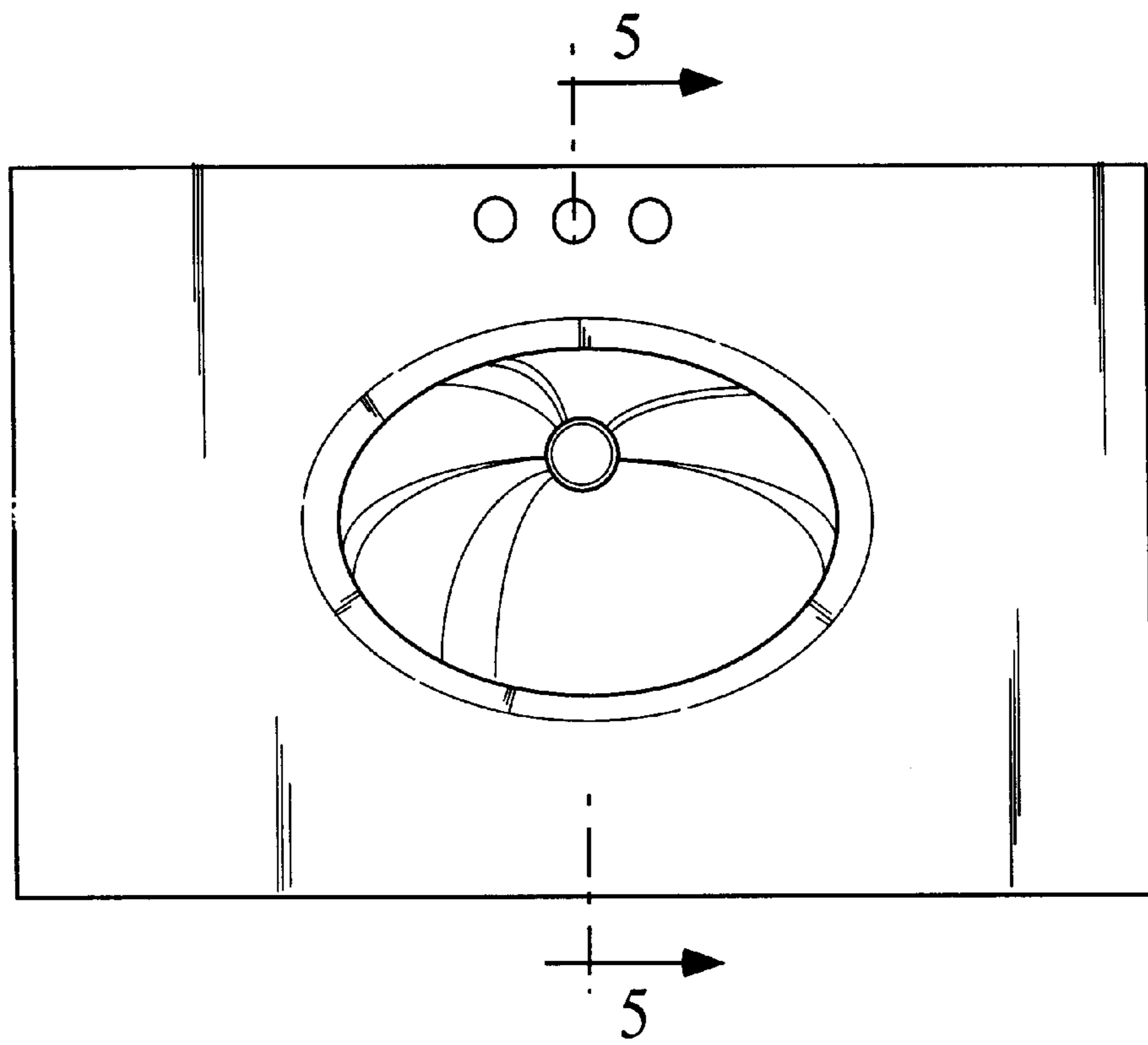


Fig. 2

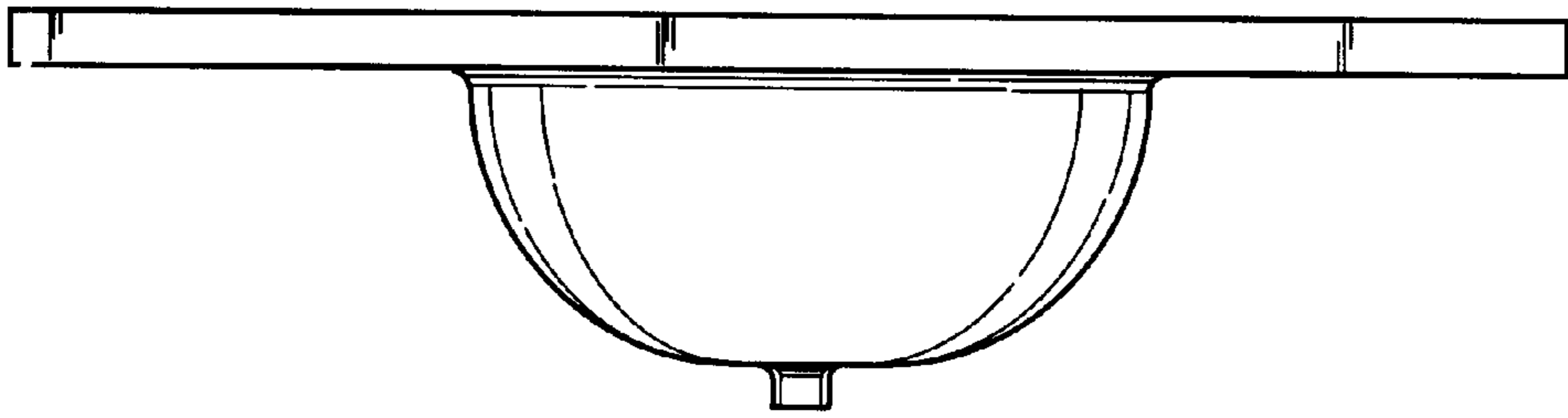


Fig. 3

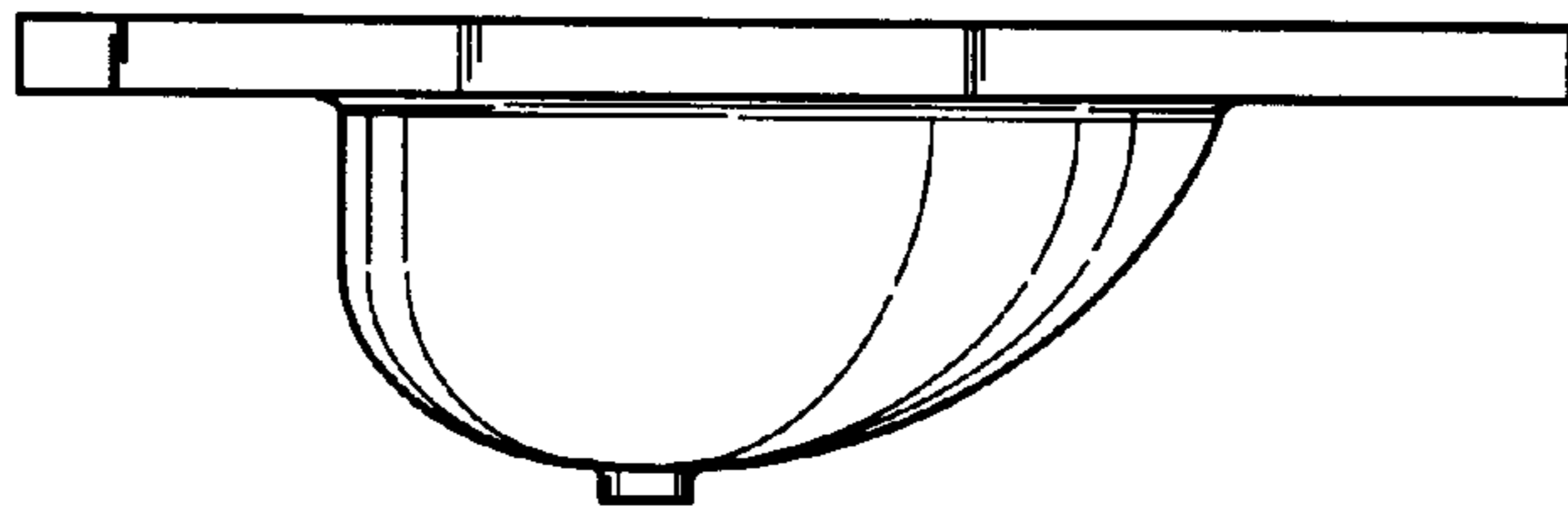


Fig. 4

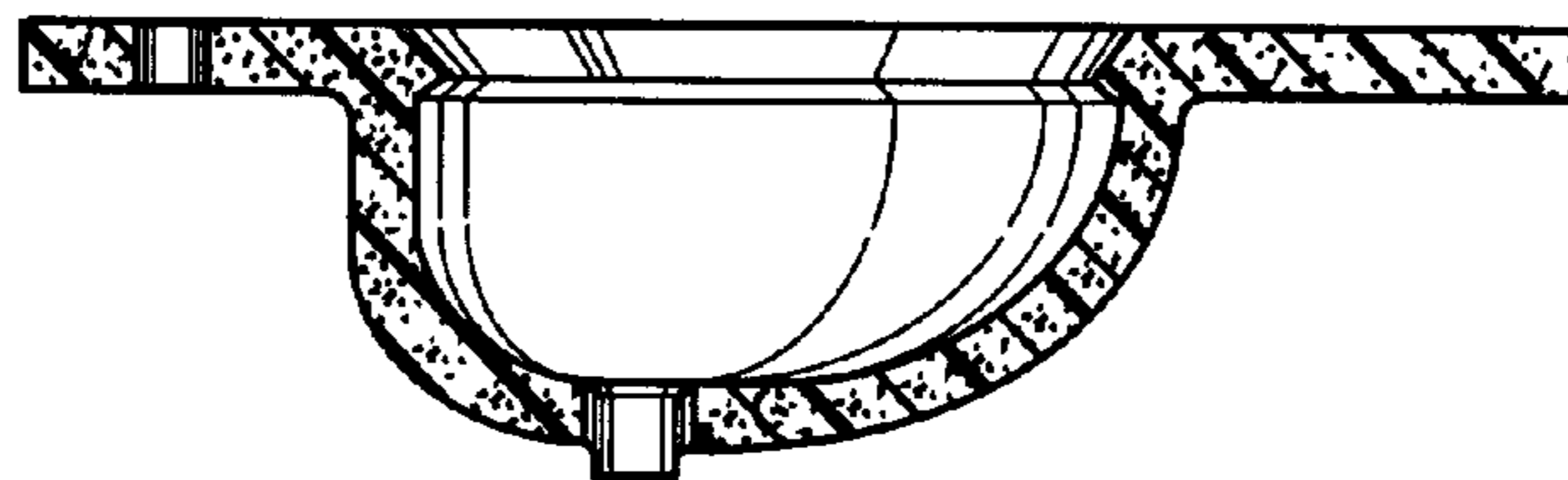


Fig. 5