



US00D484221S

(12) **United States Design Patent**
Piatt et al.

(10) **Patent No.: US D484,221 S**

(45) **Date of Patent: ** Dec. 23, 2003**

(54) **LAVATORY**

(75) Inventors: **James M. Piatt**, Sheboygan Falls, WI (US); **William F. Gordon**, Sheboygan Falls, WI (US)

(73) Assignee: **Kohler Co.**, Kohler, WI (US)

(**) Term: **14 Years**

(21) Appl. No.: **29/176,675**

(22) Filed: **Feb. 25, 2003**

Related U.S. Application Data

(62) Division of application No. 29/153,935, filed on Oct. 26, 2001.

(51) **LOC (7) Cl.** **23-02**

(52) **U.S. Cl.** **D23/293.1**

(58) **Field of Search** D23/270-274,
D23/283-284, 286-287, 291-292, 293.1,
304, 308; 4/553, 557-558, 596-604, 612-614,
619, 622, 629-630, 633, 638, 650-651,
660

(56) **References Cited**

U.S. PATENT DOCUMENTS

D35,008 S	8/1901	Clow	D23/293.1
2,389,724 A	11/1945	Falco	4/612 X
2,902,700 A	9/1959	Chambers	4/629
3,263,935 A	8/1966	Long	4/638 X
3,606,617 A	9/1971	Frazier	4/613
D244,030 S	4/1977	Tongish	D23/284
4,086,669 A	5/1978	Combis	4/622

4,689,841 A	*	9/1987	Owen	4/638 X
4,935,991 A		6/1990	Tourney	4/629 X
D463,538 S		9/2002	Chipperfield	D23/284

OTHER PUBLICATIONS

1999 Kohler catalog ad, p. 11.17, showing a K-9549 "Memoirs" shower receptor.

Fig. 7 of the drawing from U.S. patent application Ser. no. 29/127,420 filed Aug. 4, 2000.

Wokshop web page showing a classis iron wok.

1996 lavatory catalog, p. 12-4c, showing a "Garden Bandana" lavatory.

* cited by examiner

Primary Examiner—Louis S. Zarfes

Assistant Examiner—Robert A. Delehanty

(74) *Attorney, Agent, or Firm*—Quarles & Brady LLP

(57) **CLAIM**

The ornamental design for a lavatory, as shown and described.

DESCRIPTION

FIG. 1 is a left, top, front perspective view of a lavatory in the form of a movable bowl with an open bottom and of a receptor for receiving water from the bowl;

FIG. 2 is a top plan view thereof;

FIG. 3 is a front elevational view thereof, the rear elevational view being identical to the front elevational view shown; and,

FIG. 4 is a left side elevational view thereof, the right side elevational view being a mirror image of the left side shown.

1 Claim, 2 Drawing Sheets

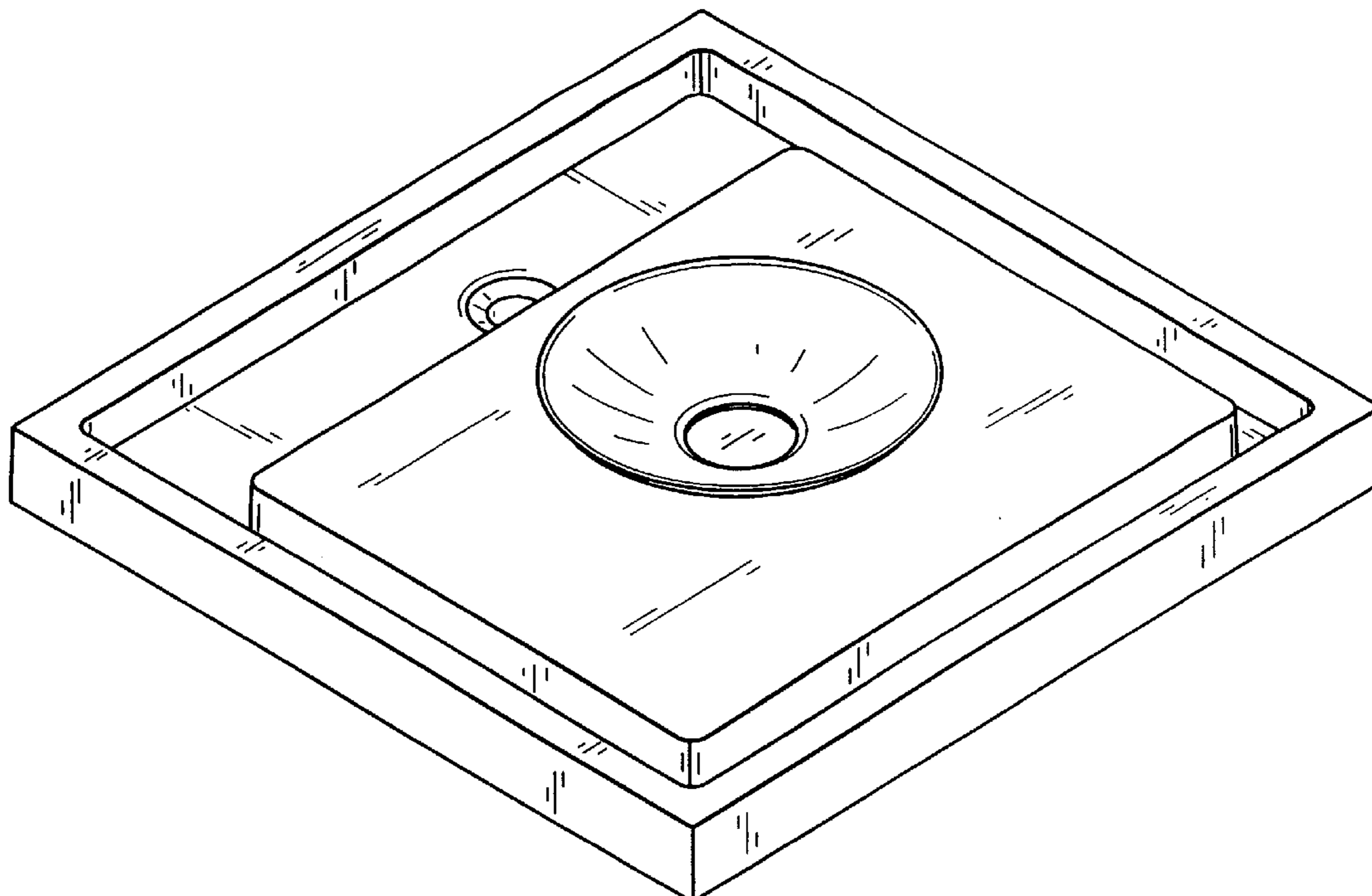


FIG. 1

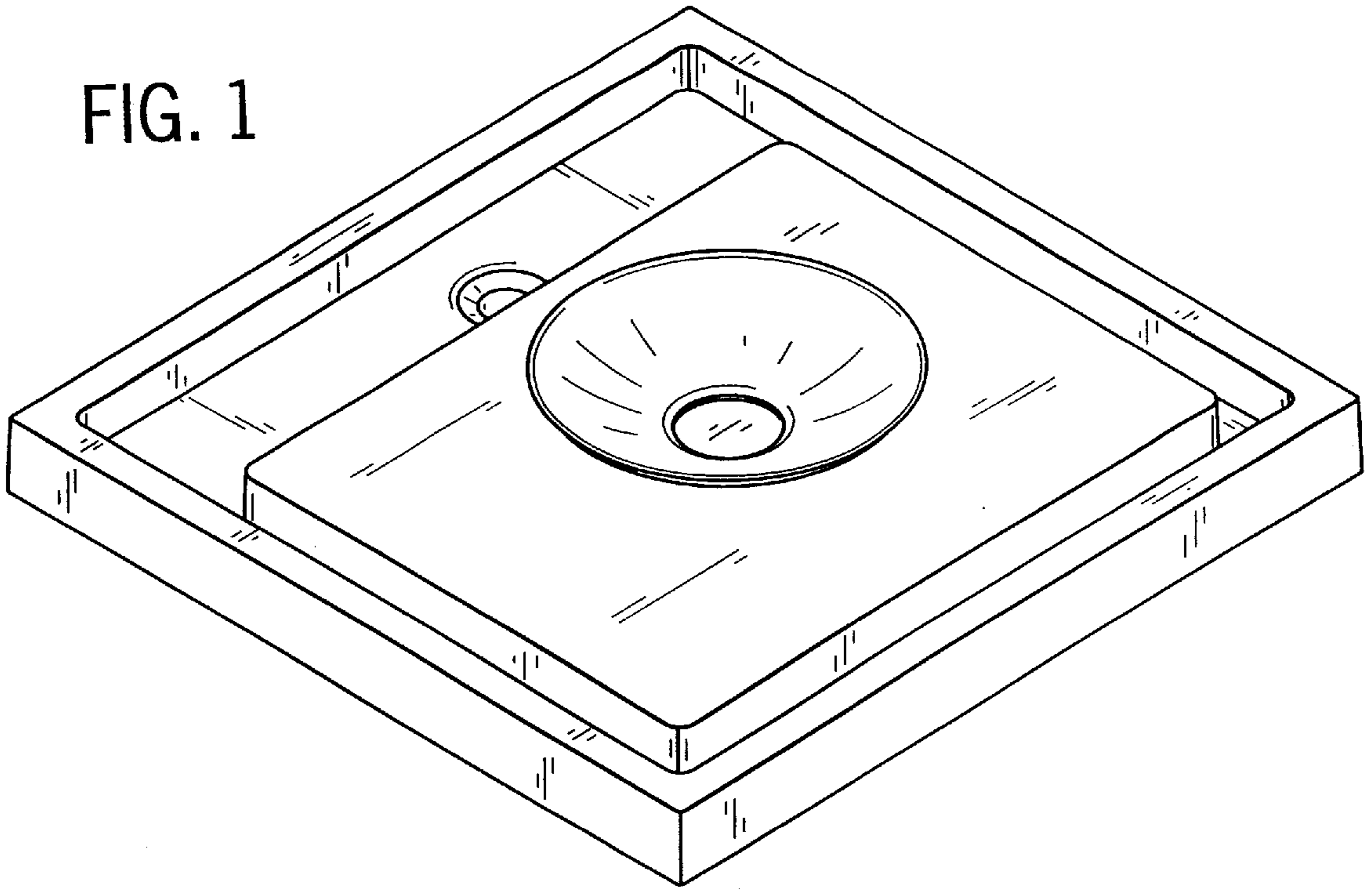


FIG. 2

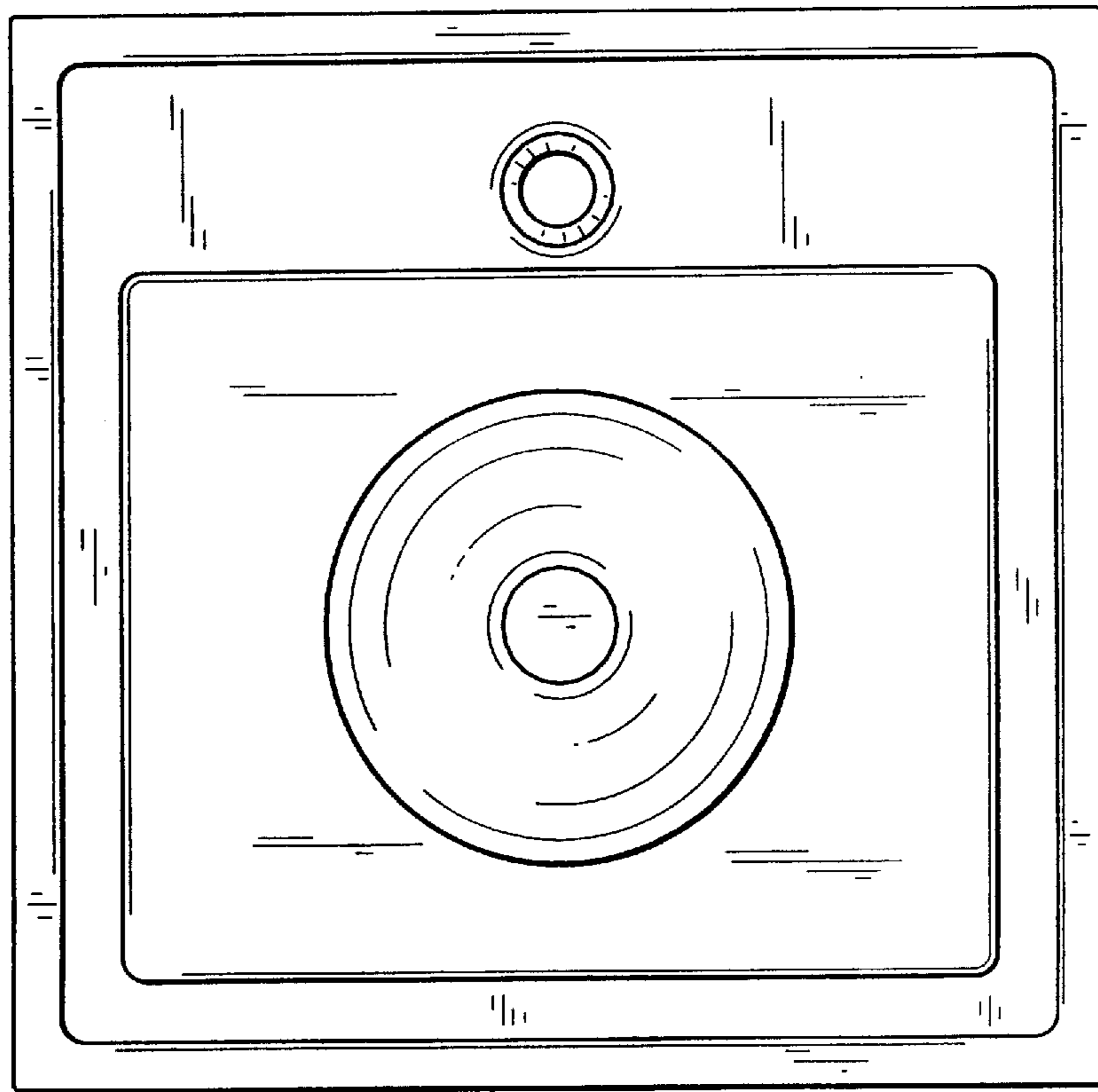


FIG. 3

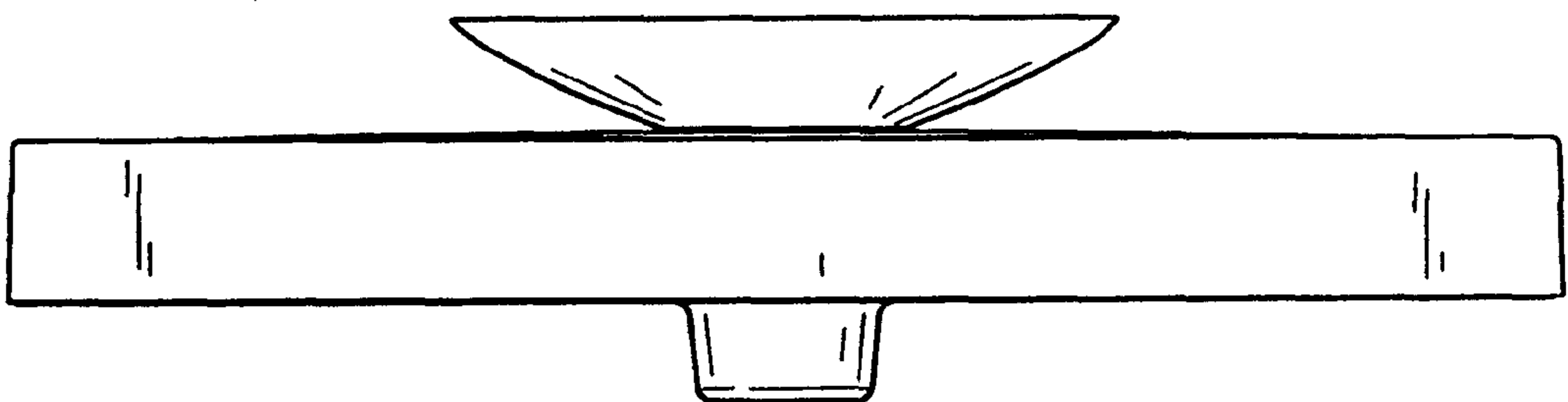


FIG. 4

