



US00D484211S

(12) **United States Design Patent** (10) **Patent No.:** **US D484,211 S**
Groelinger (45) **Date of Patent:** **** Dec. 23, 2003**

(54) **GOLF CLUB GRIP**

(76) Inventor: **Howard Groelinger**, 42 Sausalito Dr.,
Boynton Beach, FL (US) 33436

(**) Term: **14 Years**

(21) Appl. No.: **29/169,260**

(22) Filed: **Oct. 16, 2002**

(51) **LOC (7) Cl.** **21-02**

(52) **U.S. Cl.** **D21/756**

(58) **Field of Search** **D21/756, 757;**
473/300-303

(56) **References Cited**

U.S. PATENT DOCUMENTS

1,895,417	A	*	1/1933	Lard	473/310
4,116,440	A	*	9/1978	Takeshima	473/203
4,629,191	A		12/1986	Mancuso		
D355,463	S	*	2/1995	Markward et al.	D21/756
5,575,724	A		11/1996	Hannon et al.		
D417,895	S	*	12/1999	Kim et al.	D21/756
D462,404	S	*	9/2002	Huang	D21/756

* cited by examiner

Primary Examiner—Mitchell Siegel

(74) *Attorney, Agent, or Firm*—Salter & Michaelson

(57) **CLAIM**

The ornamental design for a golf club grip, as shown and described.

DESCRIPTION

FIG. 1 is a perspective view of a golf club grip showing my new design;

FIG. 2 is an enlarged perspective view of the golf club grip shown in FIG. 1;

FIG. 3 is a perspective view of the rear side of my golf club grip;

FIG. 4 is a front elevational view thereof;

FIG. 5 is a rear elevational view thereof;

FIG. 6 is a left side elevational view thereof;

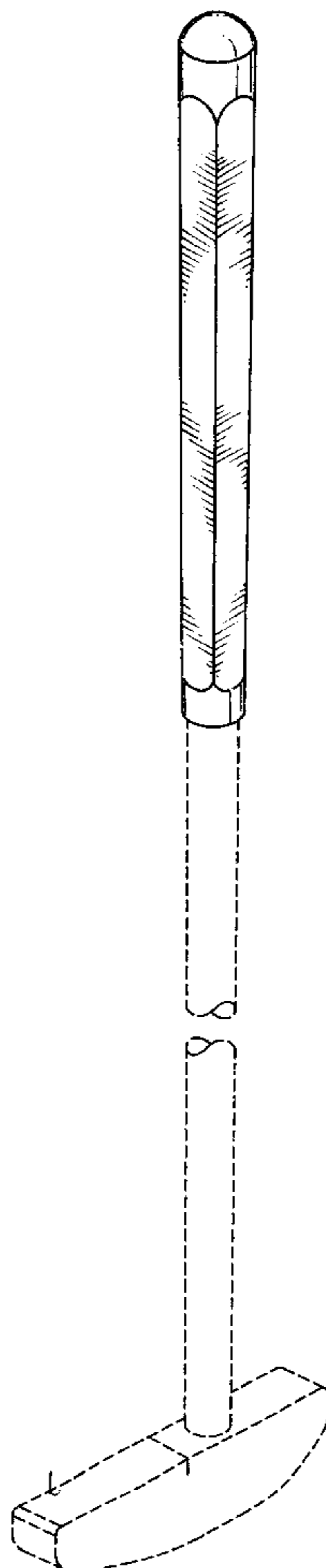
FIG. 7 is a right side elevational view thereof;

FIG. 8 is a top plan view thereof; and,

FIG. 9 is a bottom plan view thereof.

The portion shown in broken lines in FIG. 1 is for information only and forms no part of the instant design as claimed.

1 Claim, 3 Drawing Sheets



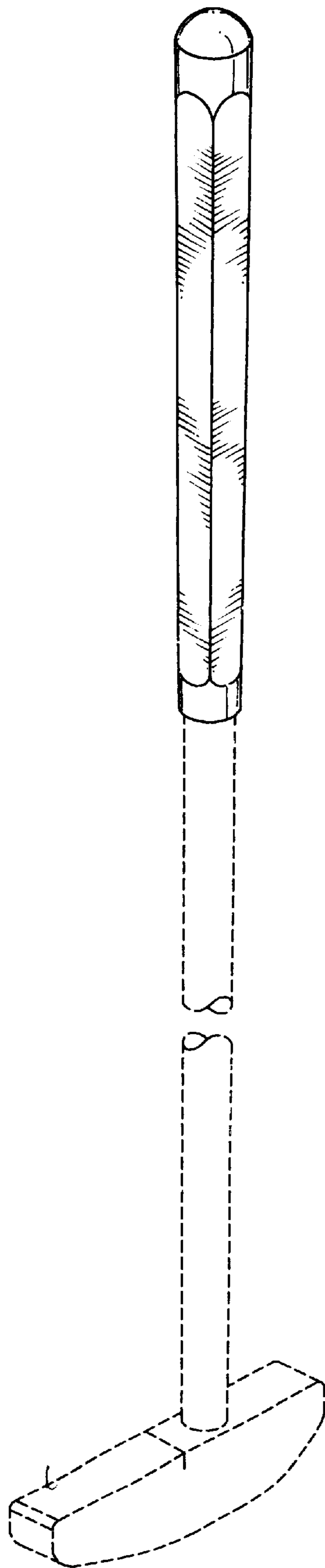


FIG. 1

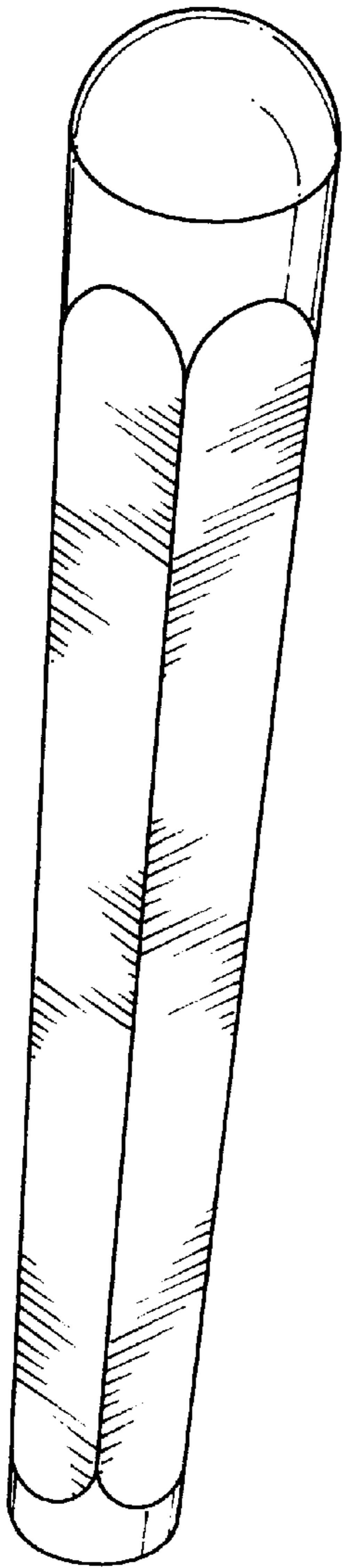


FIG. 2

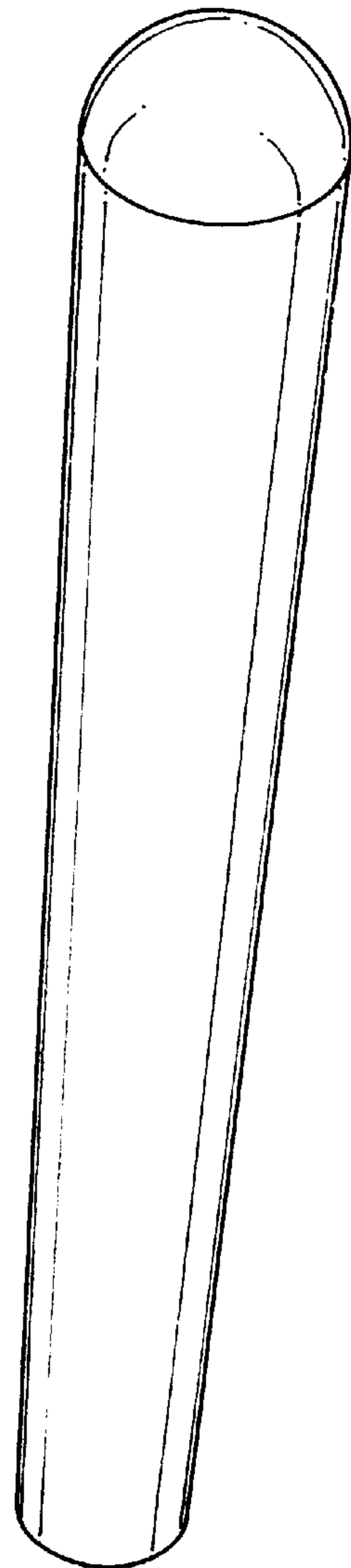


FIG. 3

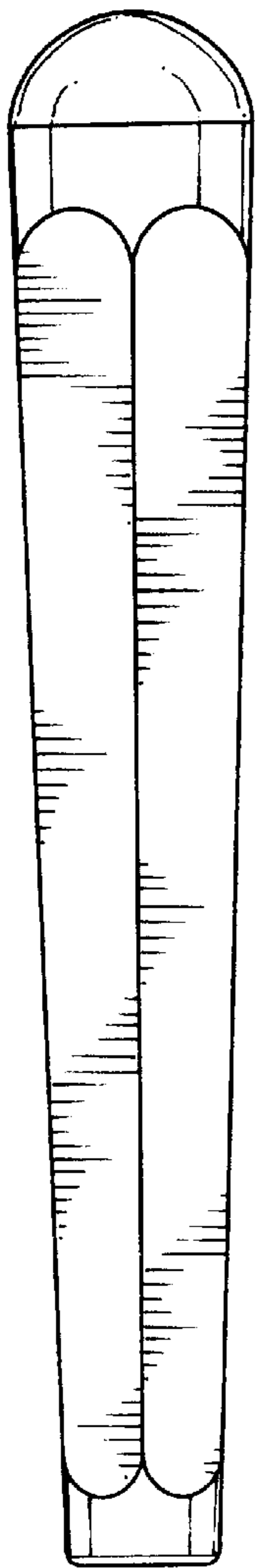


FIG. 4

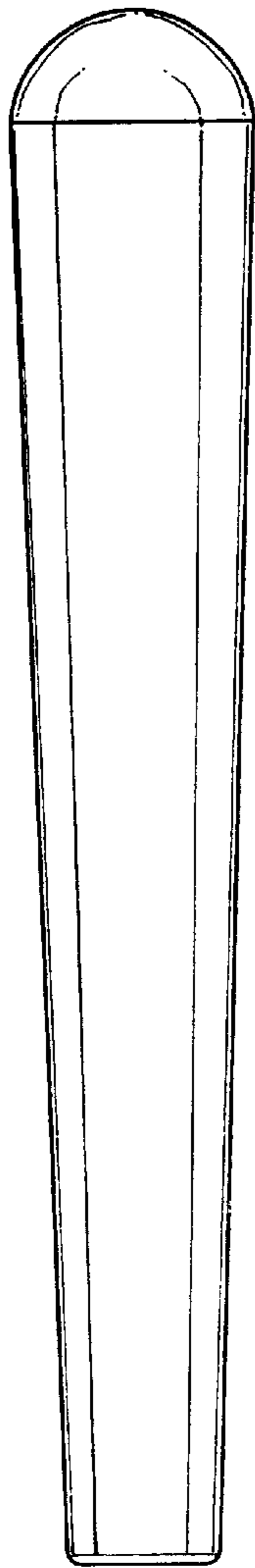


FIG. 5

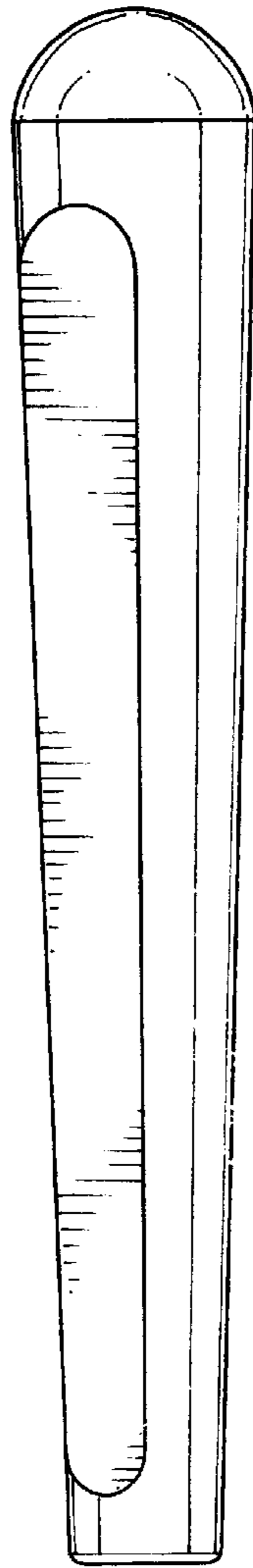


FIG. 6



FIG. 7

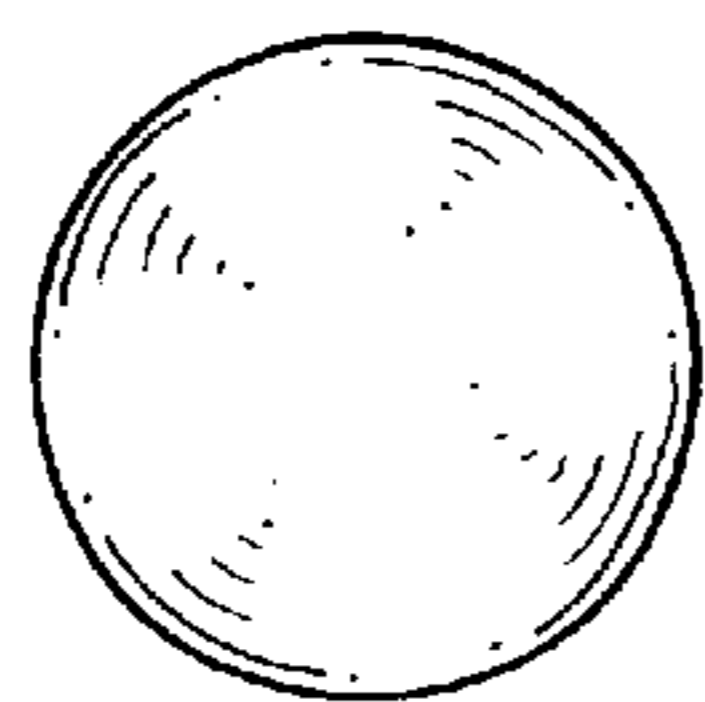


FIG. 8

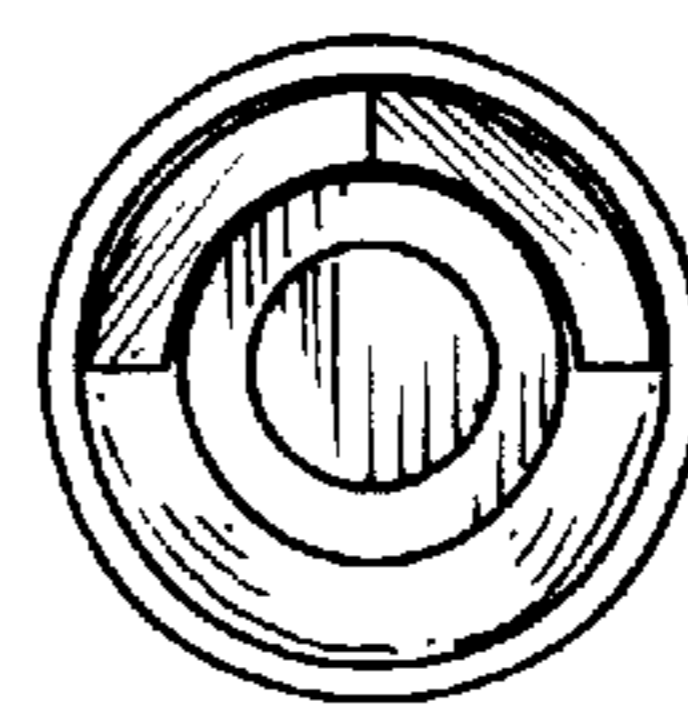


FIG. 9