



US00D484208S

(12) **United States Design Patent**
Burrows

(10) **Patent No.:** **US D484,208 S**

(45) **Date of Patent:** **** Dec. 23, 2003**

(54) **WOOD TYPE HEAD FOR A GOLF CLUB**

(75) Inventor: **Bruce D. Burrows**, Santa Clarita, CA (US)

(73) Assignee: **Burrows Golf, Inc.**, Valencia, CA (US)

(**) Term: **14 Years**

(21) Appl. No.: **29/170,120**

(22) Filed: **Oct. 30, 2002**

(51) **LOC (7) Cl.** **21-02**

(52) **U.S. Cl.** **D21/752**

(58) **Field of Search** D21/733, 752;
473/324, 327-331, 343, 344

D413,642 S	9/1999	Burrows	
D413,953 S	9/1999	Burrows	
D422,659 S	* 4/2000	Mertens D21/745
D437,903 S	* 2/2001	Cope D21/752
6,422,951 B1	7/2002	Burrows	
D465,251 S	* 11/2002	Wood et al. D21/752

* cited by examiner

Primary Examiner—Mitchell Siegel

(74) *Attorney, Agent, or Firm*—Kelly Bauersfeld Lowry & Kelley, LLP

(57) **CLAIM**

The ornamental design for a wood type head for a golf club, as shown and described.

DESCRIPTION

FIG. 1 is a perspective view showing the bottom, front and toe end sides of a wood-type for a golf club embodying the new design;

FIG. 2 is a front elevational view thereof;

FIG. 3 is a toe end elevational view thereof;

FIG. 4 is a heel end elevational view thereof;

FIG. 5 is a rear elevational view thereof;

FIG. 6 is a top plan view thereof;

FIG. 7 is a bottom plan view thereof; and,

FIG. 8 is a sectional view taken generally on the line 8—8 of FIG. 7.

The broken line showings of a fragmented golf club shaft and a faceplate groove pattern are for illustrative purposes only and form no part of the claimed design.

(56) **References Cited**

U.S. PATENT DOCUMENTS

1,541,128 A	*	6/1925	Dunn	473/345
1,588,617 A	*	6/1926	Rose	473/343
3,374,027 A	*	3/1968	Jacobs	473/286
4,511,145 A	*	4/1985	Schmidt	473/346
D354,103 S	*	1/1995	Allen	D21/752
D356,356 S	*	3/1995	Jacobs	D21/744
D364,666 S	*	11/1995	Nagy	D21/743
D366,919 S	*	2/1996	Jacobs	D21/745
D385,003 S		10/1997	Burrows		
D390,294 S		2/1998	Burrows		
D390,295 S		2/1998	Burrows		
D392,354 S		3/1998	Burrows		
D397,749 S		9/1998	Burrows		
D401,299 S		11/1998	Burrows		
5,851,159 A		12/1998	Burrows		

1 Claim, 4 Drawing Sheets

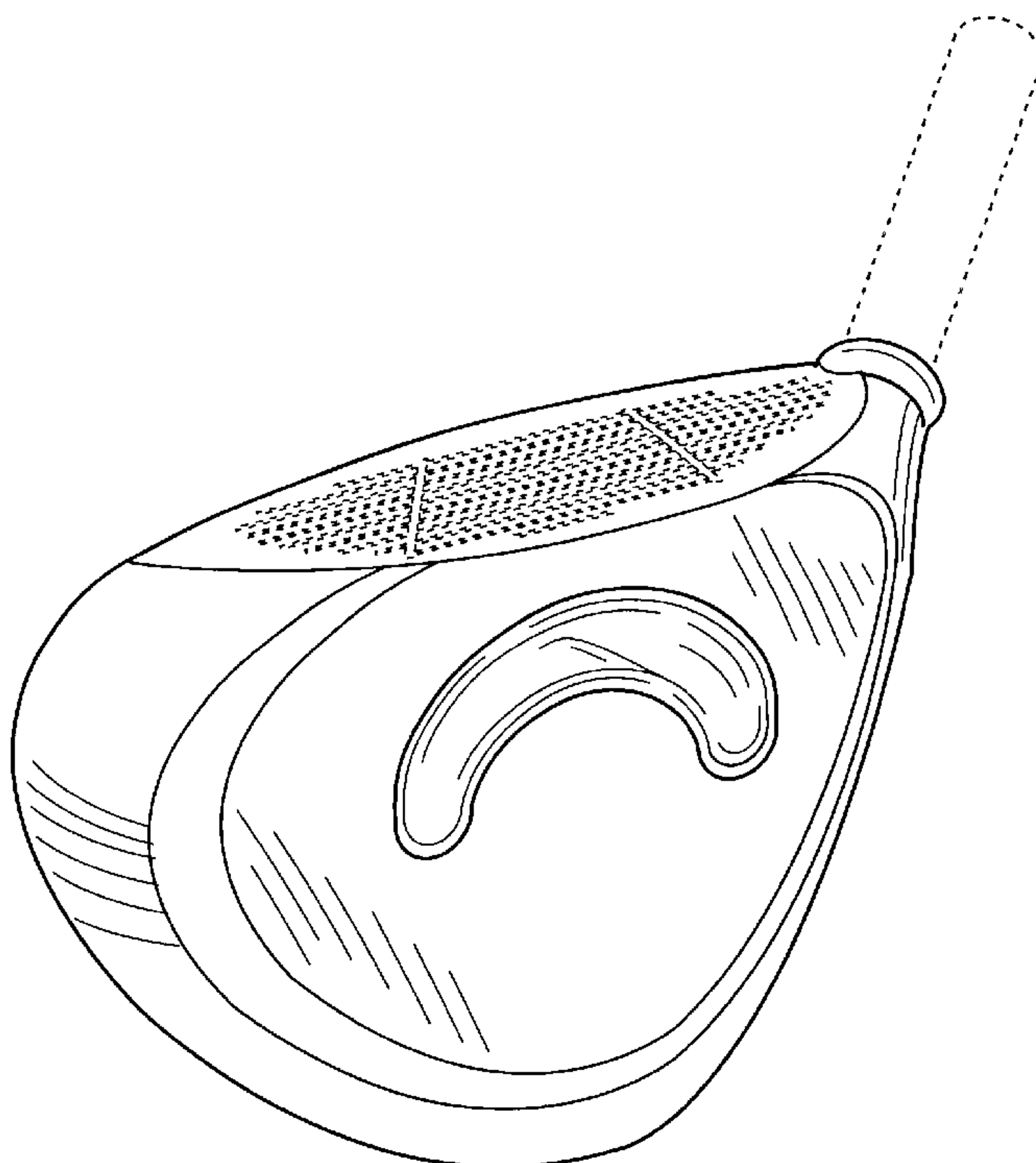


FIG. 1

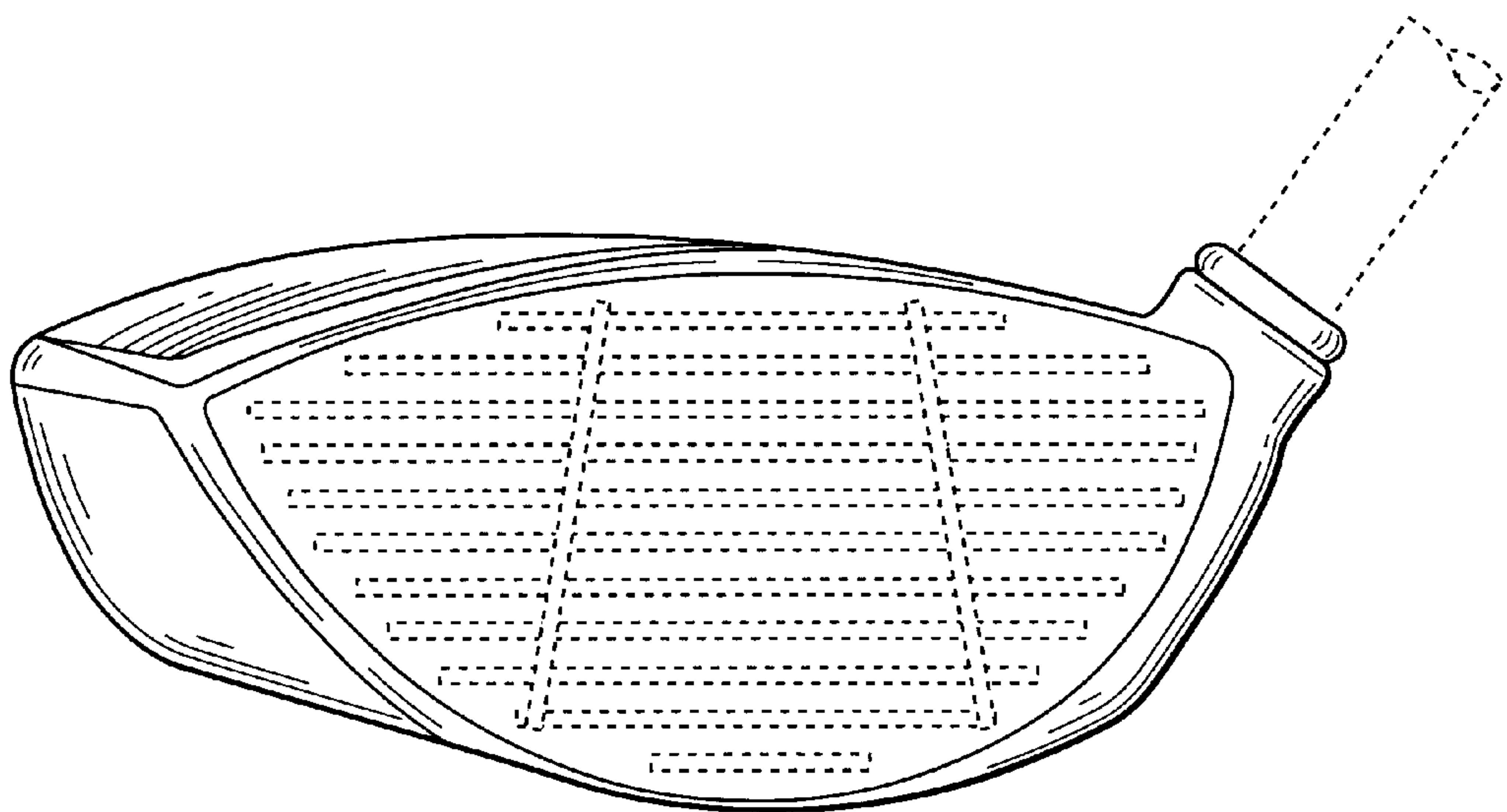
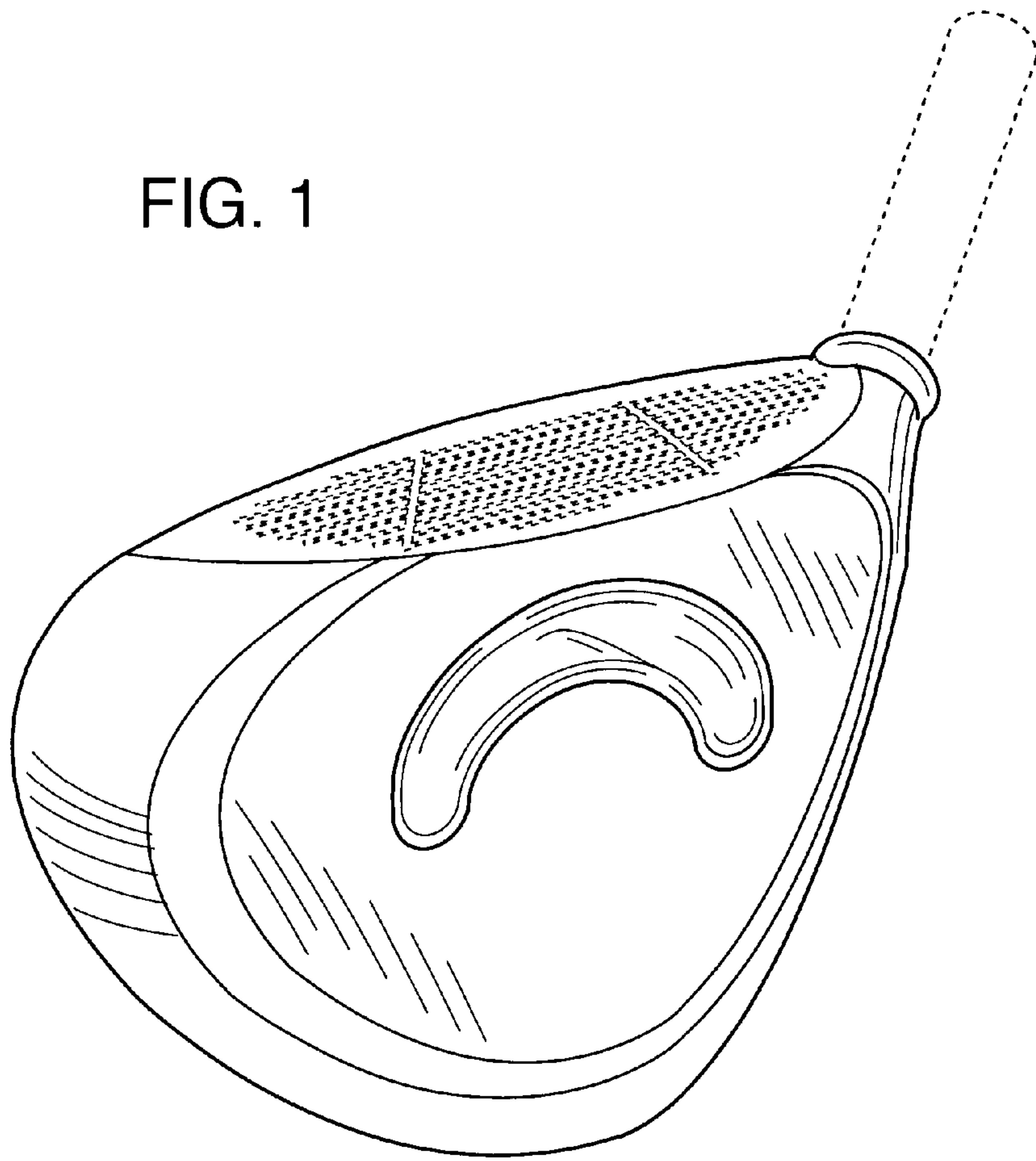


FIG. 2

FIG. 3

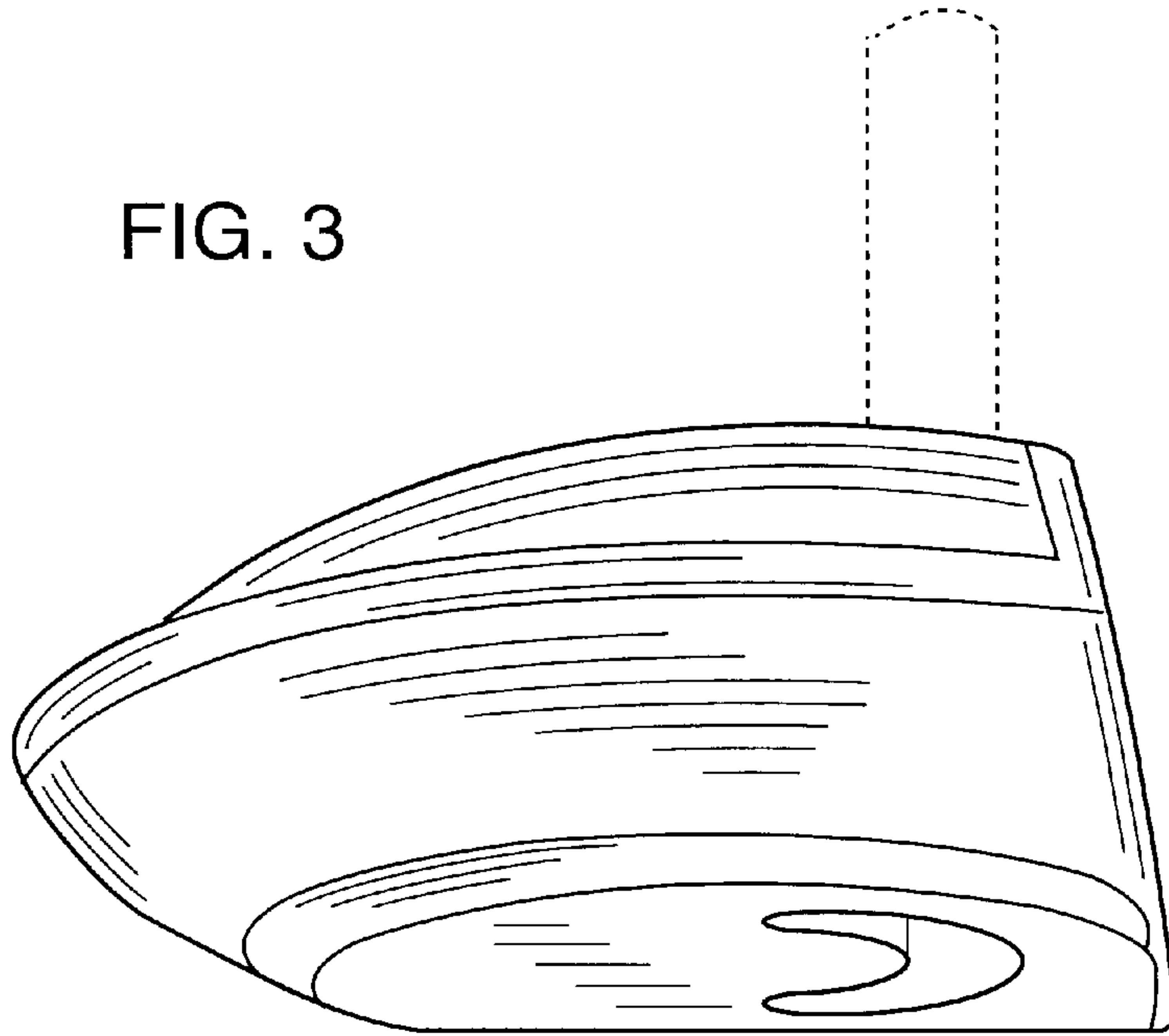
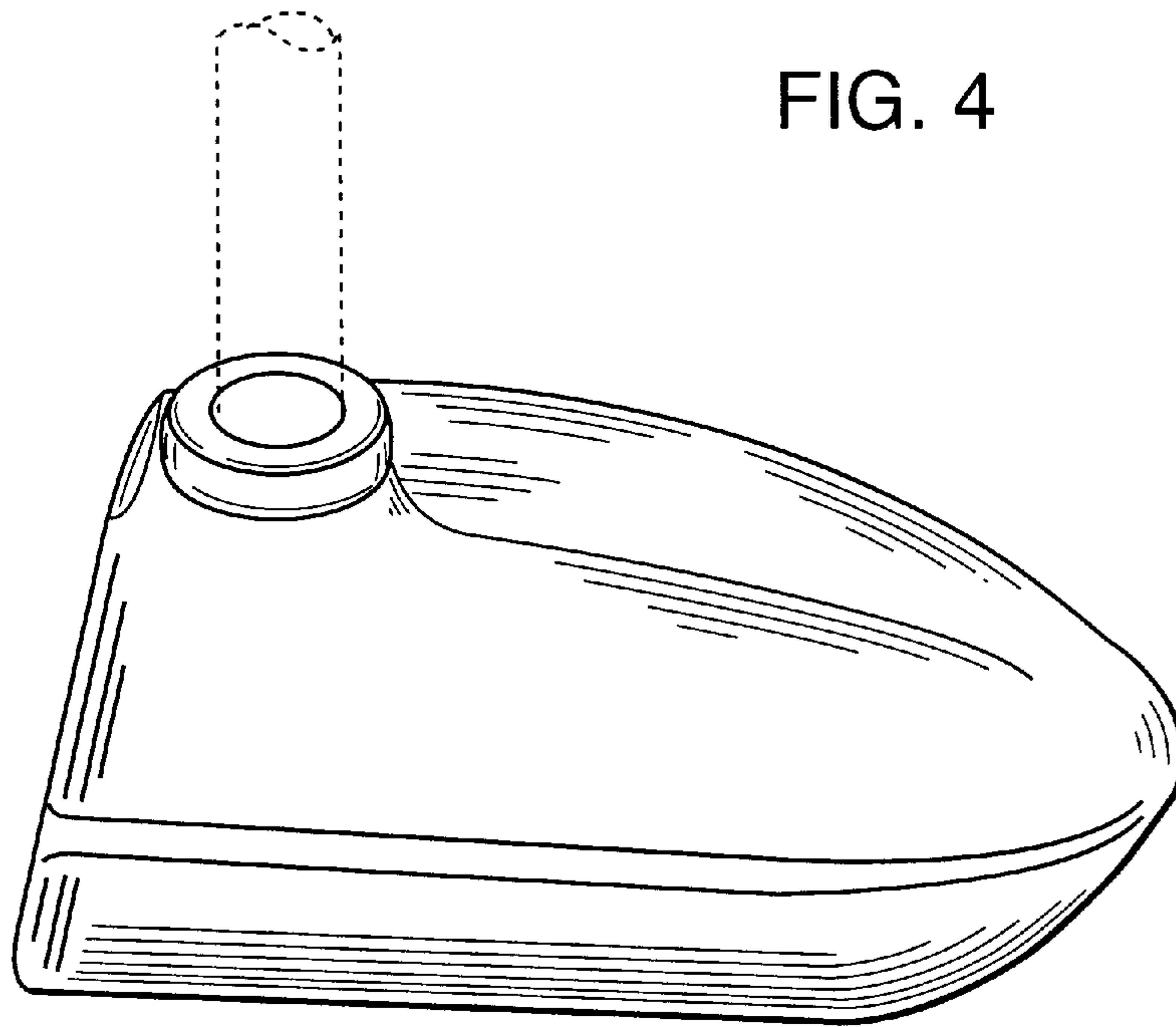


FIG. 4



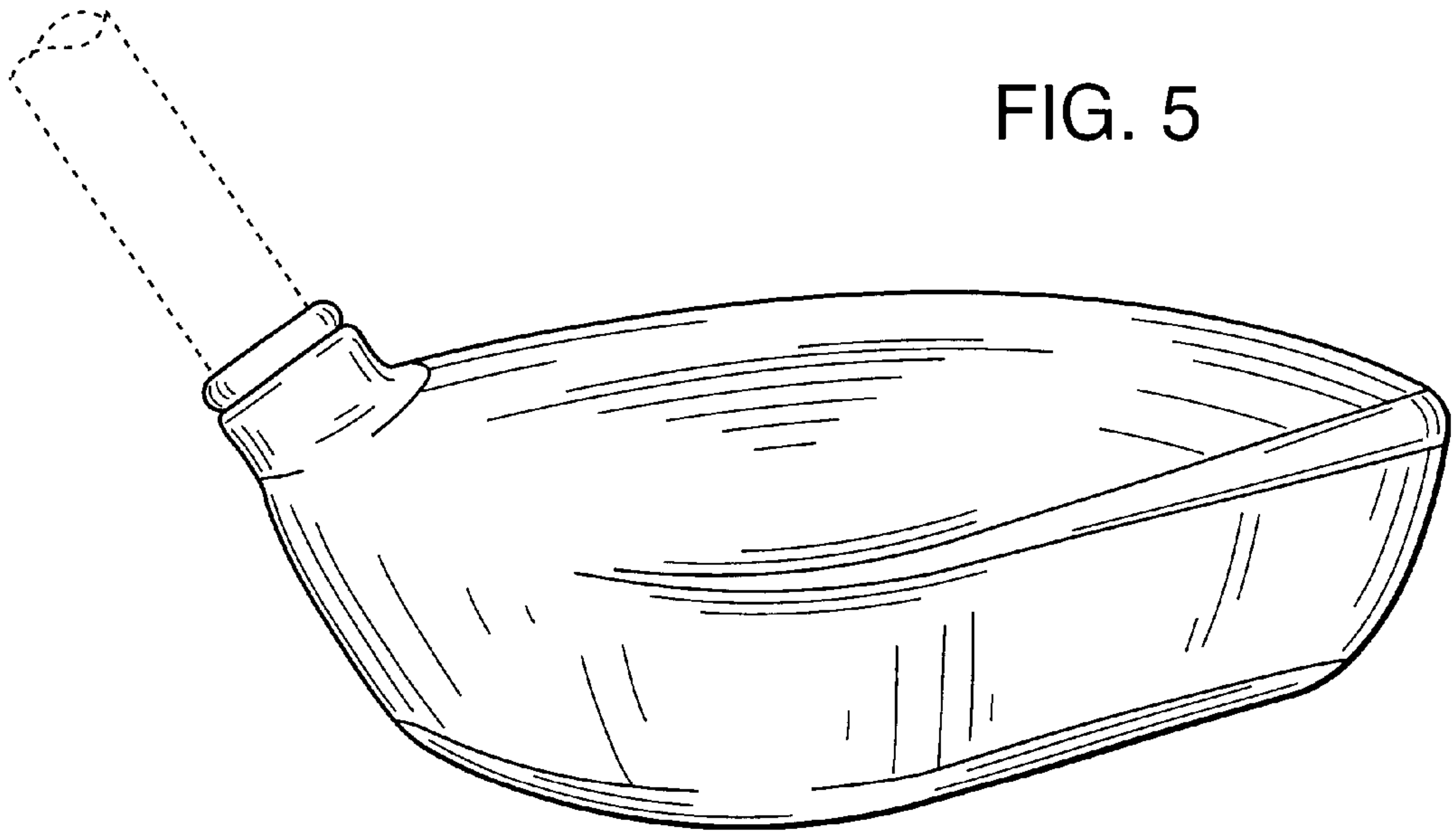


FIG. 5

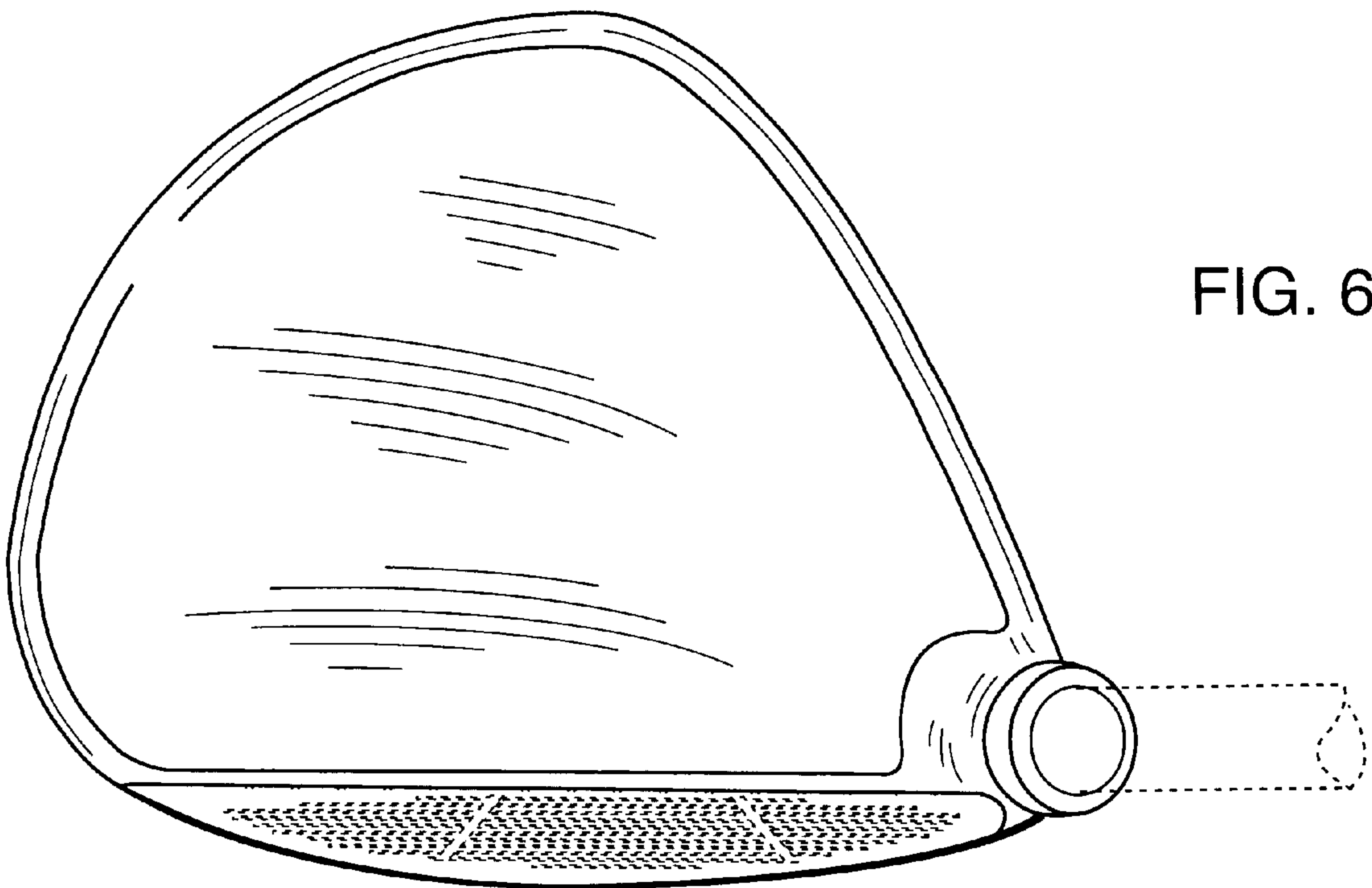


FIG. 6

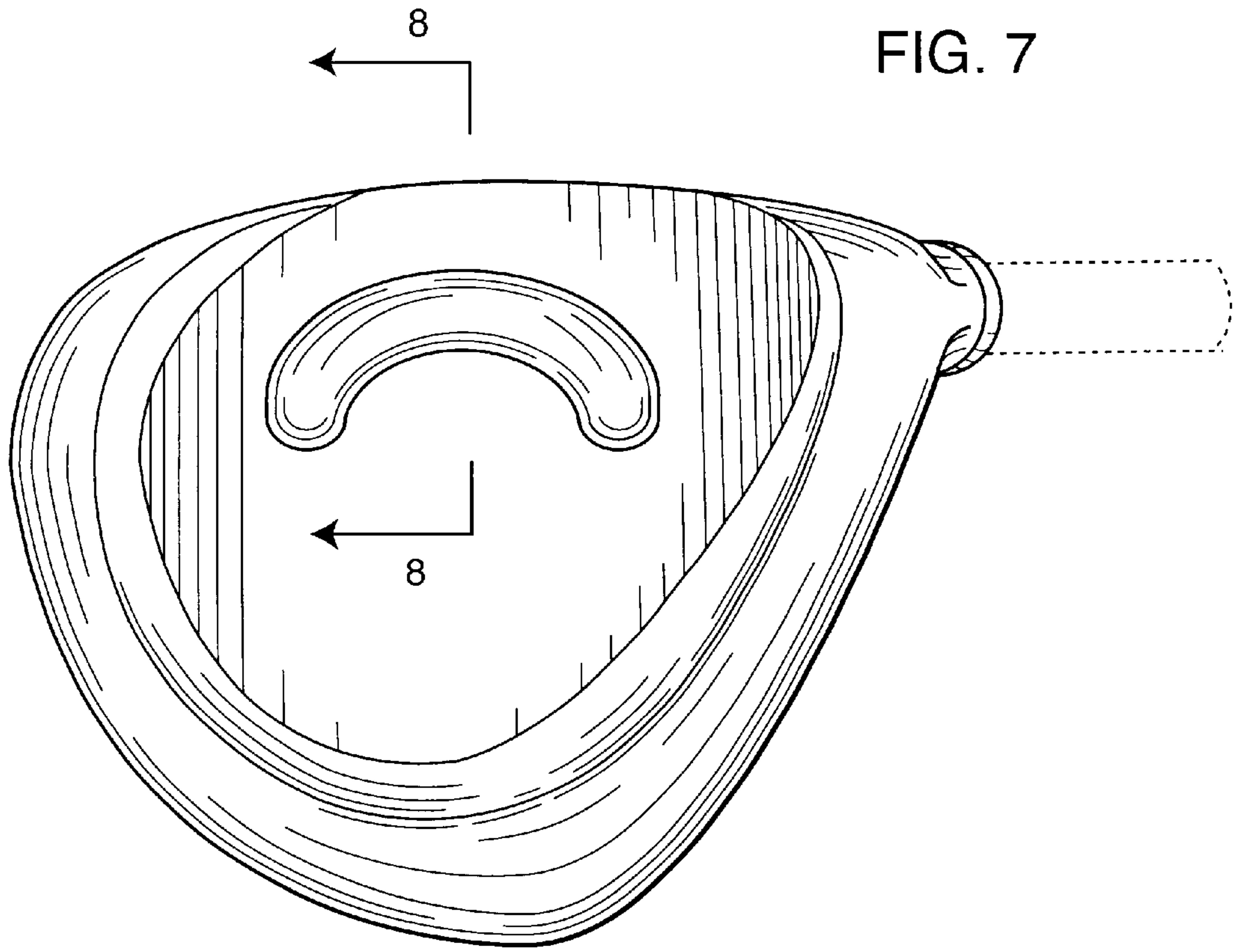


FIG. 8

