



US00D484207S

(12) **United States Design Patent**  
**Swift**

(10) **Patent No.:** **US D484,207 S**

(45) **Date of Patent:** **\*\* Dec. 23, 2003**

(54) **GOLF CLUB**

(76) Inventor: **Richard Swift**, 5305 - 27 Street,  
Llodyminster, AB (CA), T9V 2G8

(\*\*) Term: **14 Years**

(21) Appl. No.: **29/172,108**

(22) Filed: **Dec. 6, 2002**

(51) **LOC (7) Cl.** ..... **21-02**

(52) **U.S. Cl.** ..... **D21/742**

(58) **Field of Search** ..... D21/736-746;  
473/324, 327-331, 340, 341, 251-256

(56) **References Cited**

**U.S. PATENT DOCUMENTS**

D229,204 S	*	11/1973	Romero	.....	D21/741
D244,303 S	*	5/1977	Cabot	.....	D21/739
D317,035 S	*	5/1991	Pelz	.....	D21/745
D317,962 S	*	7/1991	Pelz	.....	D21/735
5,913,731 A	*	6/1999	Westerman	.....	473/251
D458,656 S		6/2002	Tang et al.	.....	D21/738
D461,514 S		8/2002	Tang et al.	.....	D21/742
D461,861 S		8/2002	Tang et al.	.....	D21/742
6,471,600 B2		10/2002	Tang et al.	.....	473/242
D465,819 S	*	11/2002	Bussiere	.....	D21/736

\* cited by examiner

*Primary Examiner*—Mitchell Siegel

(74) *Attorney, Agent, or Firm*—Bennett Jones LLP

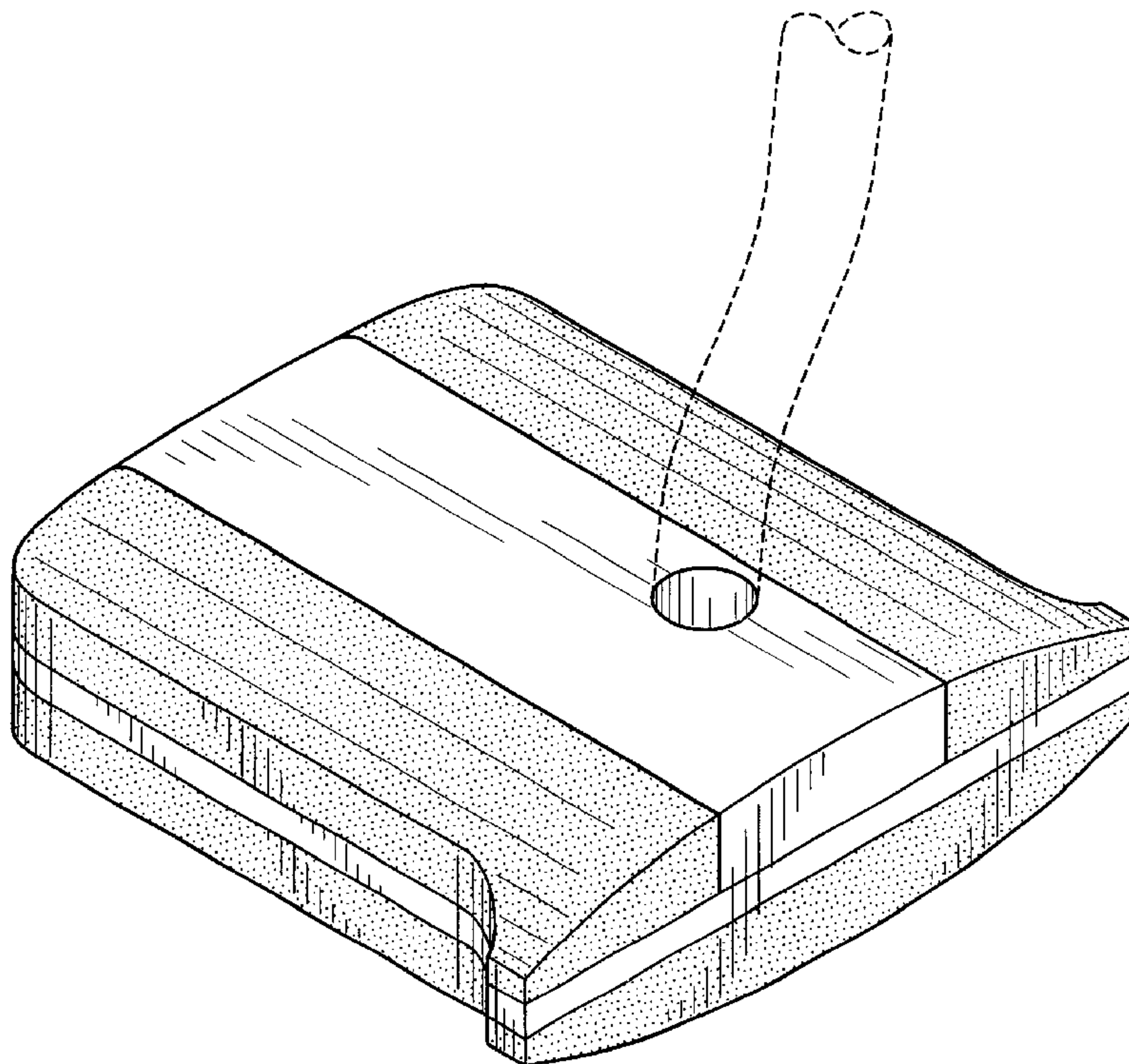
(57) **CLAIM**

The ornamental design for a golf club, as shown and described.

**DESCRIPTION**

FIG. 1 is a top view of the design.  
 FIG. 2 is a front view of the design.  
 FIG. 3 is a bottom view of the design.  
 FIG. 4 is a back view of the design.  
 FIG. 5 is a left side view of the design which is the mirror image of a right side view.  
 FIG. 6 is a perspective view of the design.  
 FIG. 7 is a top plan view of a second embodiment of the golf club disclosed in FIG. 1;  
 FIG. 8 is a front view of FIG. 7;  
 FIG. 9 is a bottom view of FIG. 7;  
 FIG. 10 is a back view of FIG. 7;  
 FIG. 11 is a left side view of FIG. 7, the right side being a mirror image; and,  
 FIG. 12 is a perspective view of FIG. 7.  
 The broken line showing of the fragmented shaft is for illustrative purposes only and forms no part of the claimed design.

**1 Claim, 4 Drawing Sheets**



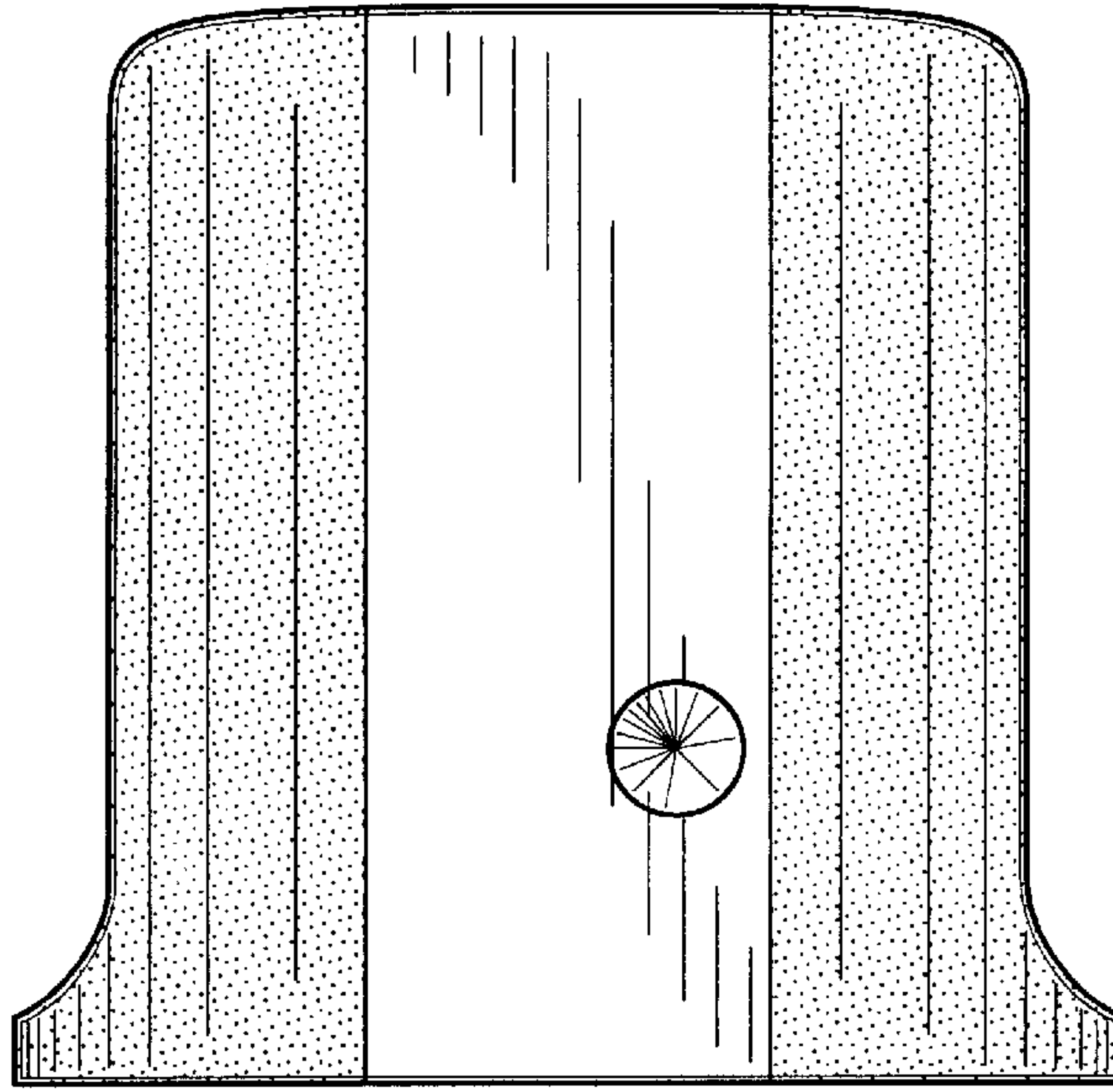


FIG. 1

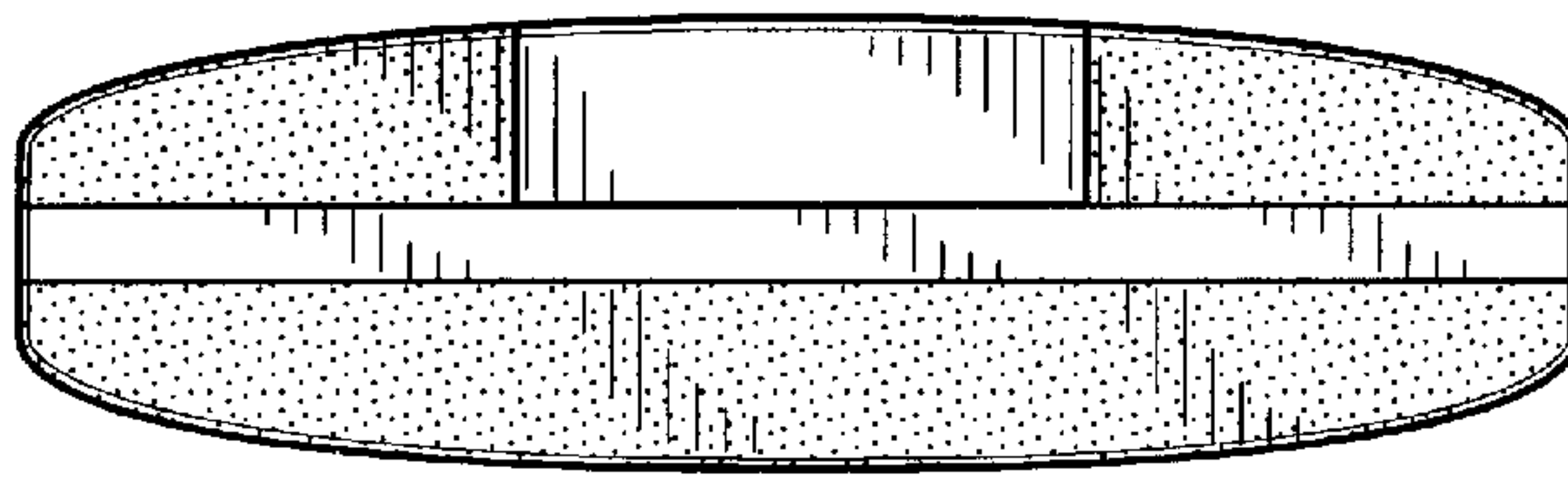


FIG. 2

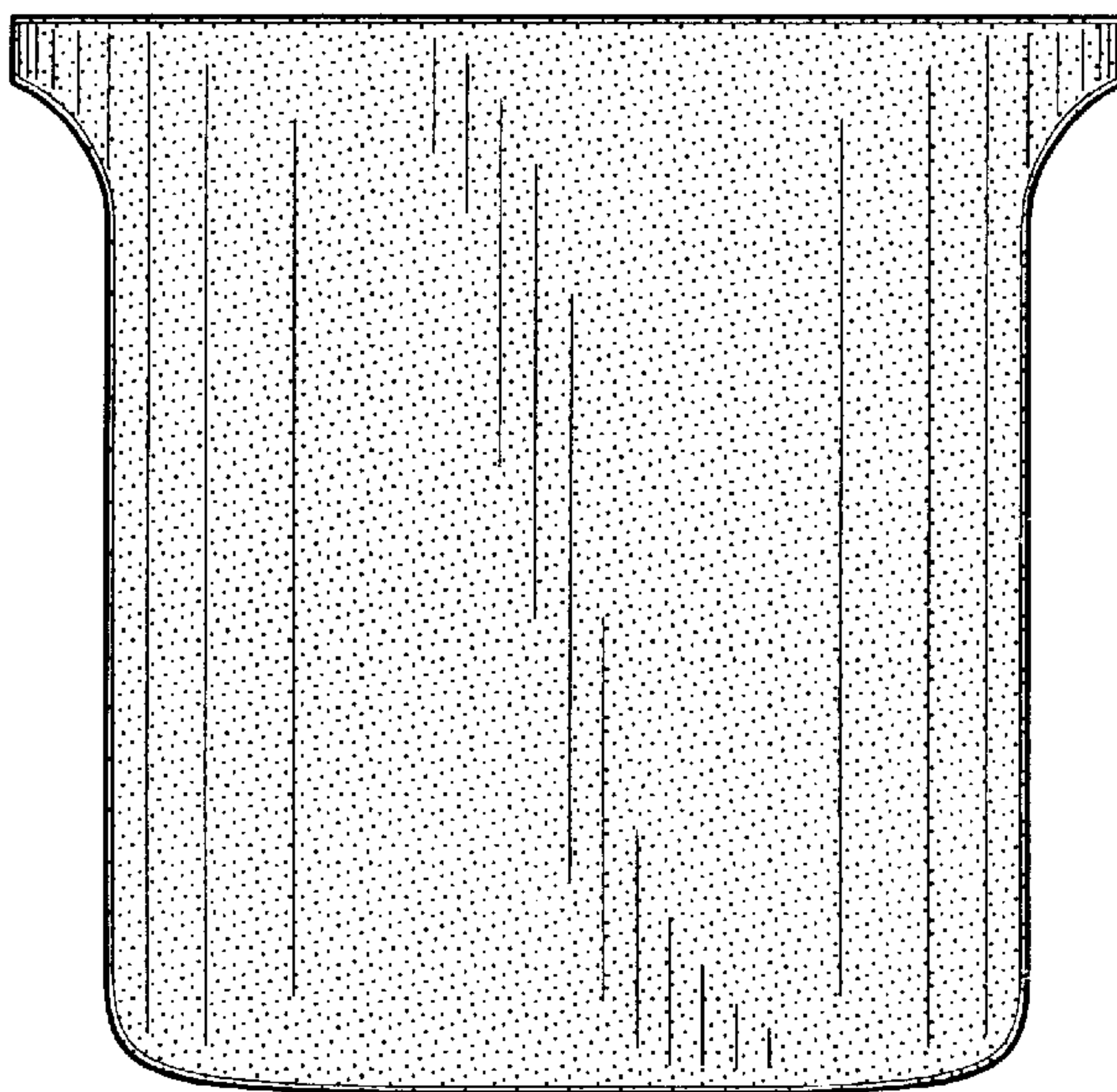


FIG. 3

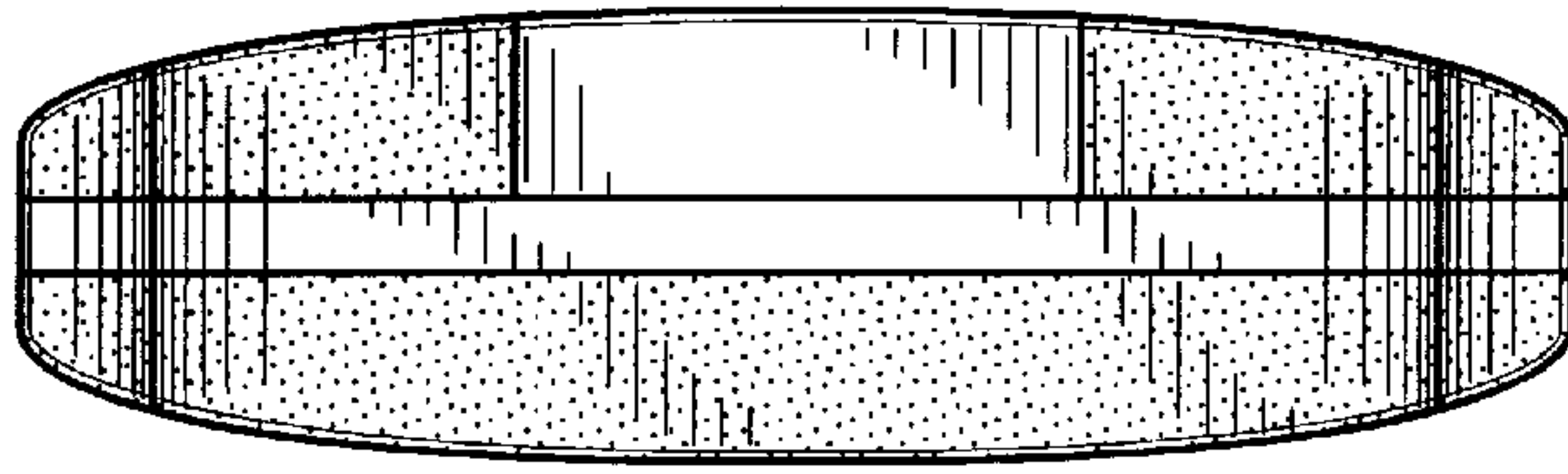


FIG. 4

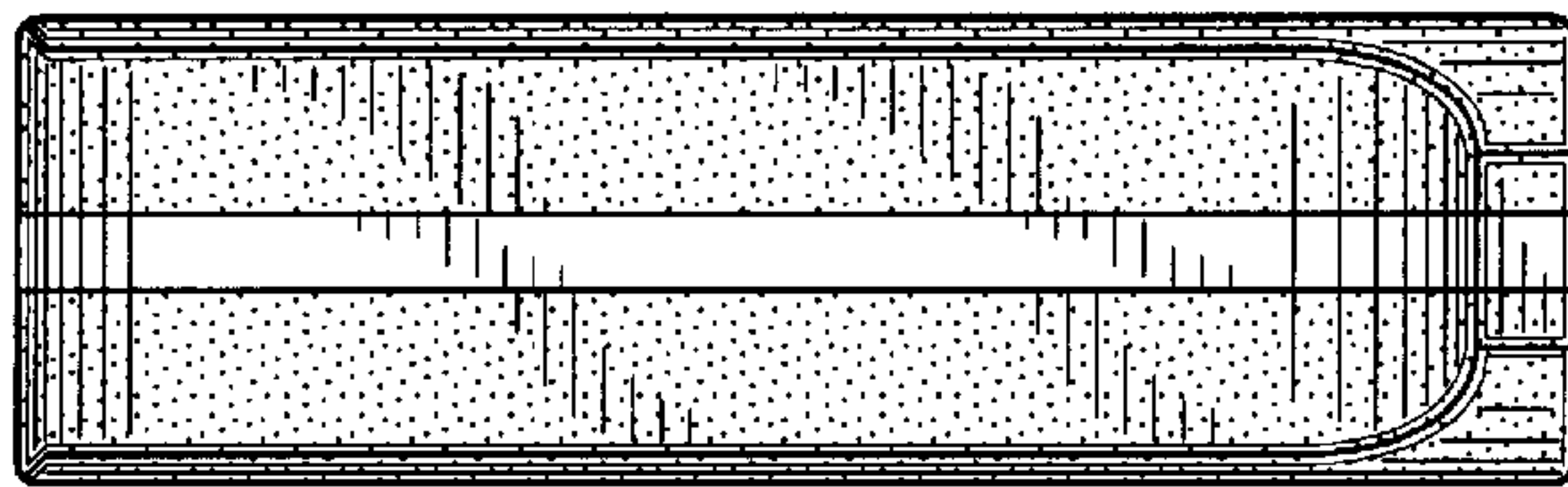


FIG. 5

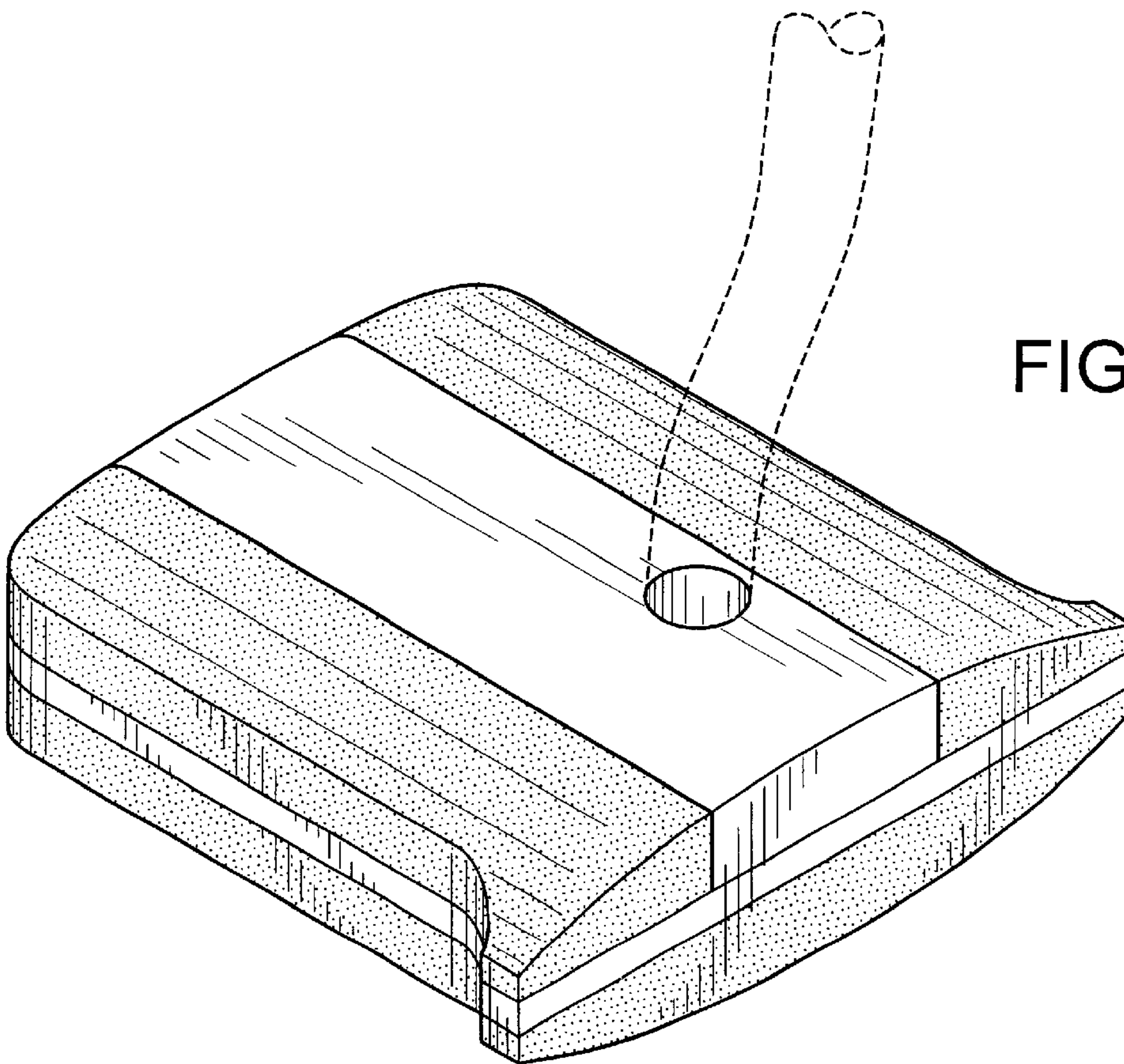


FIG. 6



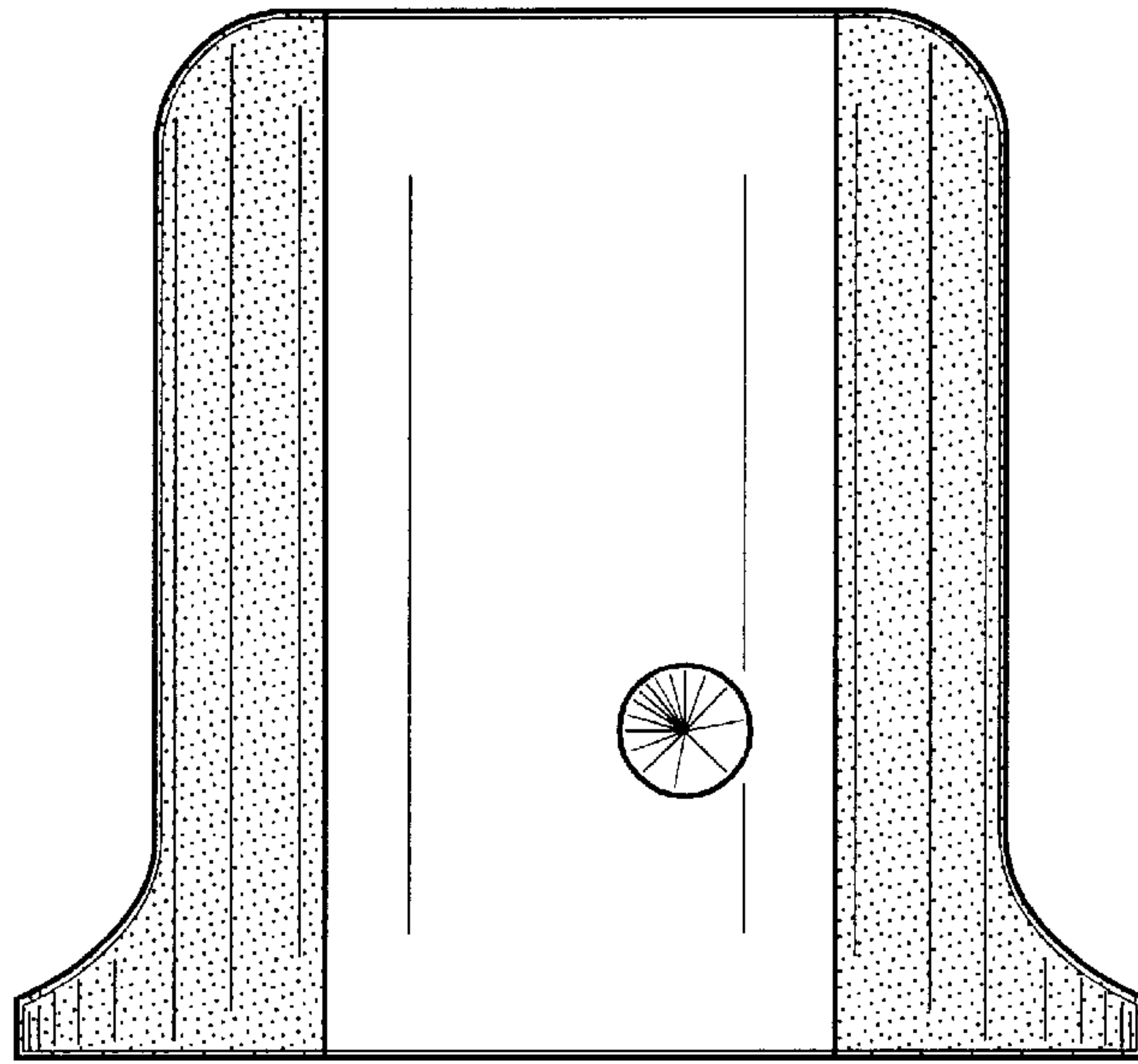


FIG. 7

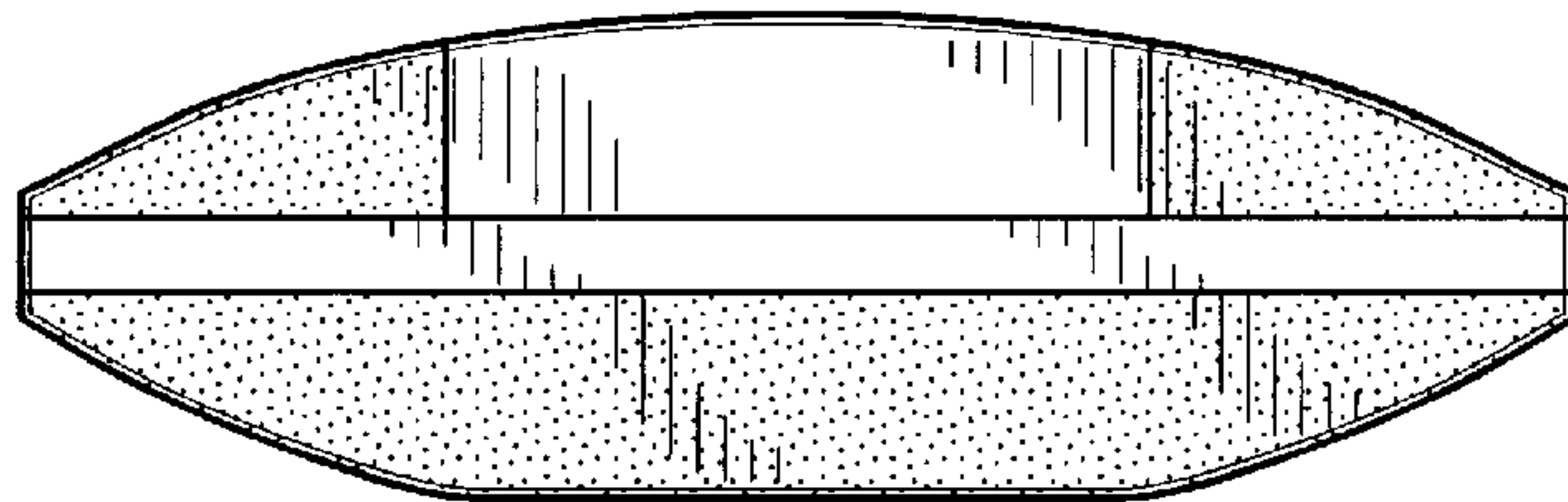


FIG. 8

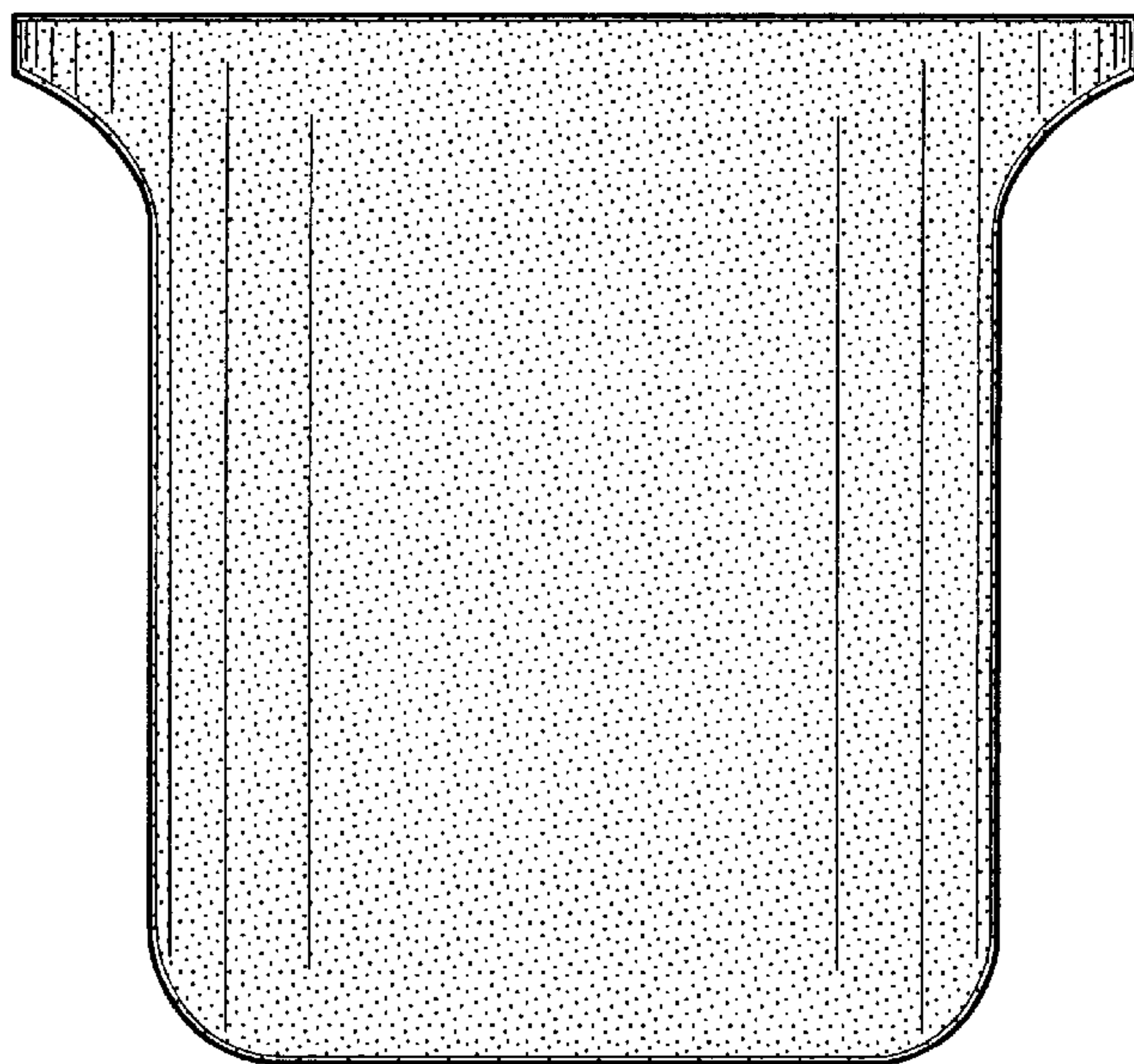


FIG. 9

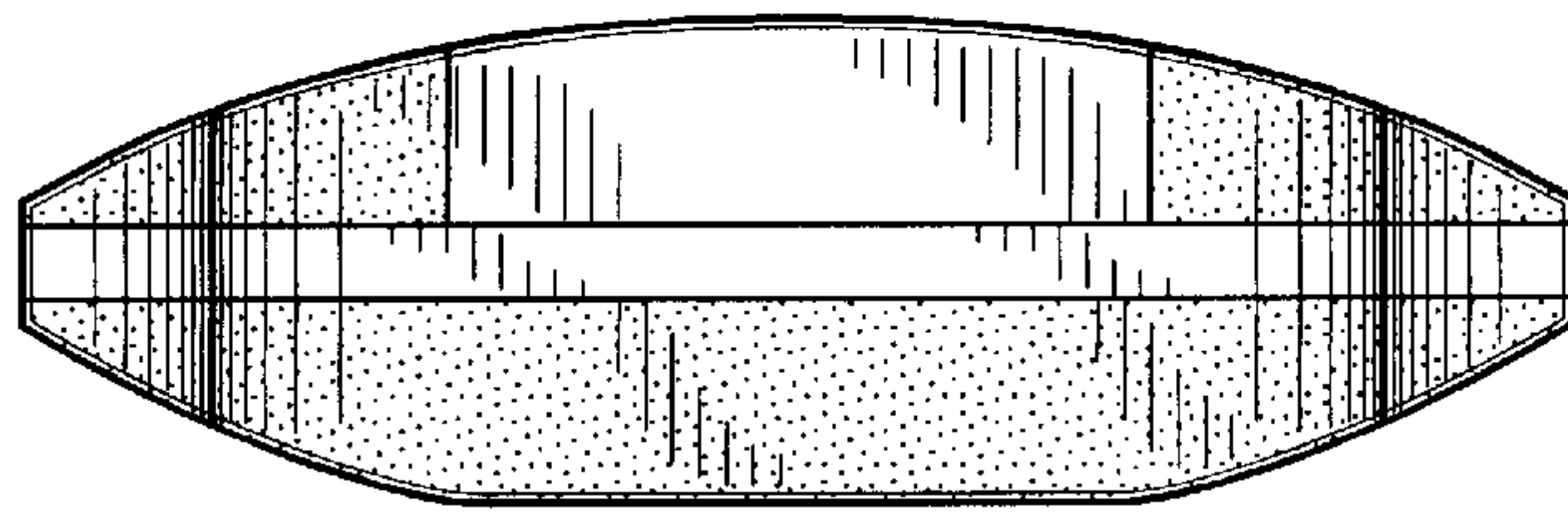


FIG. 10

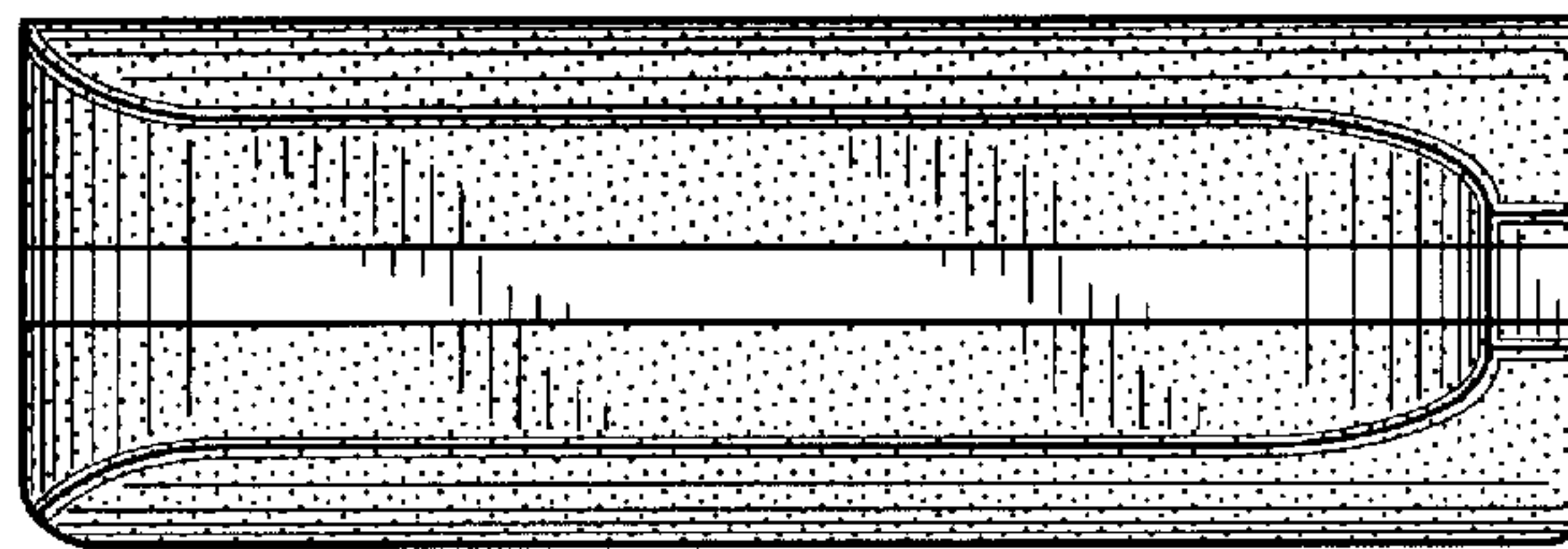


FIG. 11

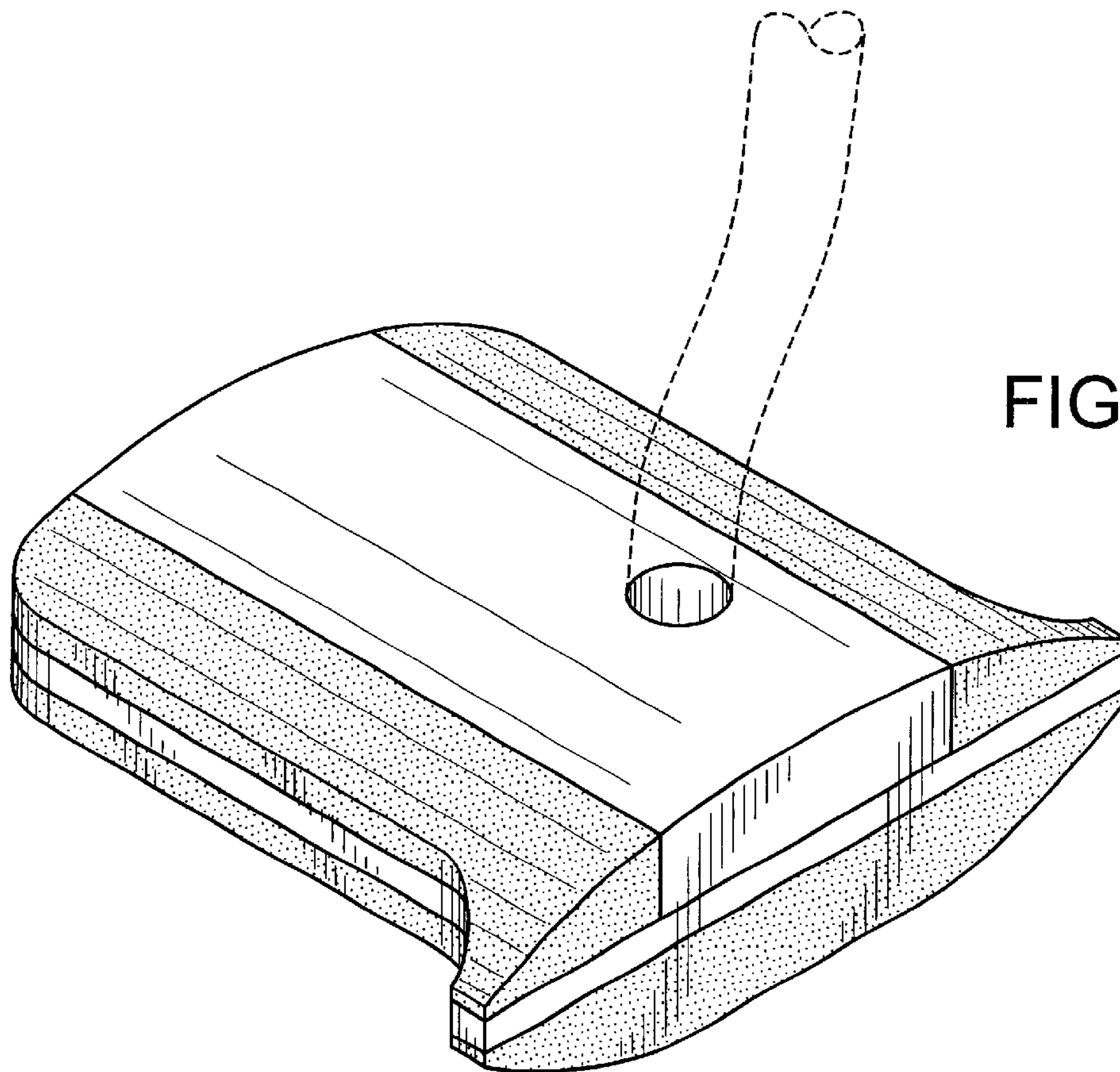


FIG. 12