



US00D484202S

(12) **United States Design Patent**  
**Bordas**

(10) **Patent No.:** **US D484,202 S**

(45) **Date of Patent:** **\*\* Dec. 23, 2003**

(54) **WATER HOCKEY TOY**

(76) Inventor: **David Bordas**, 1760 W. 75 St., Hialeah, FL (US) 33014

(\*\*) Term: **14 Years**

(21) Appl. No.: **29/171,128**

(22) Filed: **Nov. 18, 2002**

(51) **LOC (7) Cl.** ..... **21-02**

(52) **U.S. Cl.** ..... **D21/707; D21/710; D21/441; D21/801**

(58) **Field of Search** ..... D21/698, 707-714, D21/722, 723, 731, 760, 770, 769, 801, 803, 806, 807, 436, 441-443, 445, 301, 312, 318; 473/569-615; 441/65, 67, 74, 76, 79; 472/128; 273/350; 446/34, 36, 46, 61, 68, 153, 176, 236, 255, 266

(56) **References Cited**

**U.S. PATENT DOCUMENTS**

- D166,440 S \* 4/1952 Benson ..... D21/445
- 3,145,400 A \* 8/1964 Yoakum ..... 441/65
- 3,160,897 A \* 12/1964 Kelly, Jr. .... 441/74
- 3,553,884 A \* 1/1971 Dunstan ..... 446/64
- 3,571,832 A \* 3/1971 Rauch ..... 441/65
- D222,708 S \* 12/1971 Balia ..... D21/807
- 3,909,976 A \* 10/1975 Kirk ..... 446/61
- 4,463,954 A \* 8/1984 Panse et al. .... 473/588

- D317,185 S \* 5/1991 Herring ..... D21/436
- D346,183 S \* 4/1994 Crane ..... D21/443
- 5,615,887 A \* 4/1997 Park ..... 446/153 X

\* cited by examiner

*Primary Examiner*—Philip S. Hyder

*Assistant Examiner*—C. Tuttle

(74) *Attorney, Agent, or Firm*—Albert Bordas; J. Sanchelima

(57) **CLAIM**

The ornamental design for the water hockey toy, as shown and described.

**DESCRIPTION**

FIG. 1 is a top view of a water hockey toy showing my new design;

FIG. 2 is a bottom plan view thereof;

FIG. 3 is a right side view thereof, the side opposite being a mirror image of the side shown;

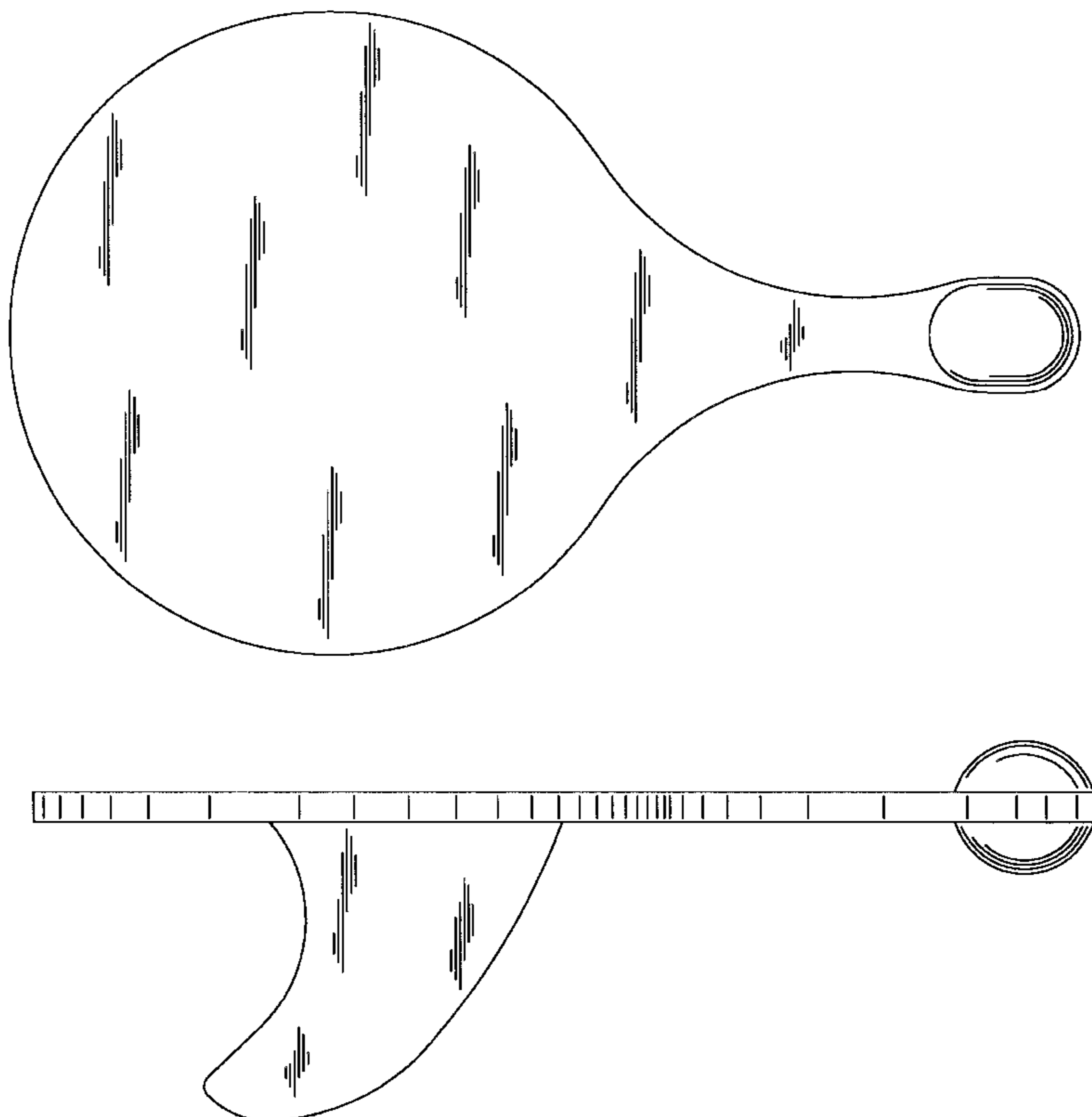
FIG. 4 is a front view thereof;

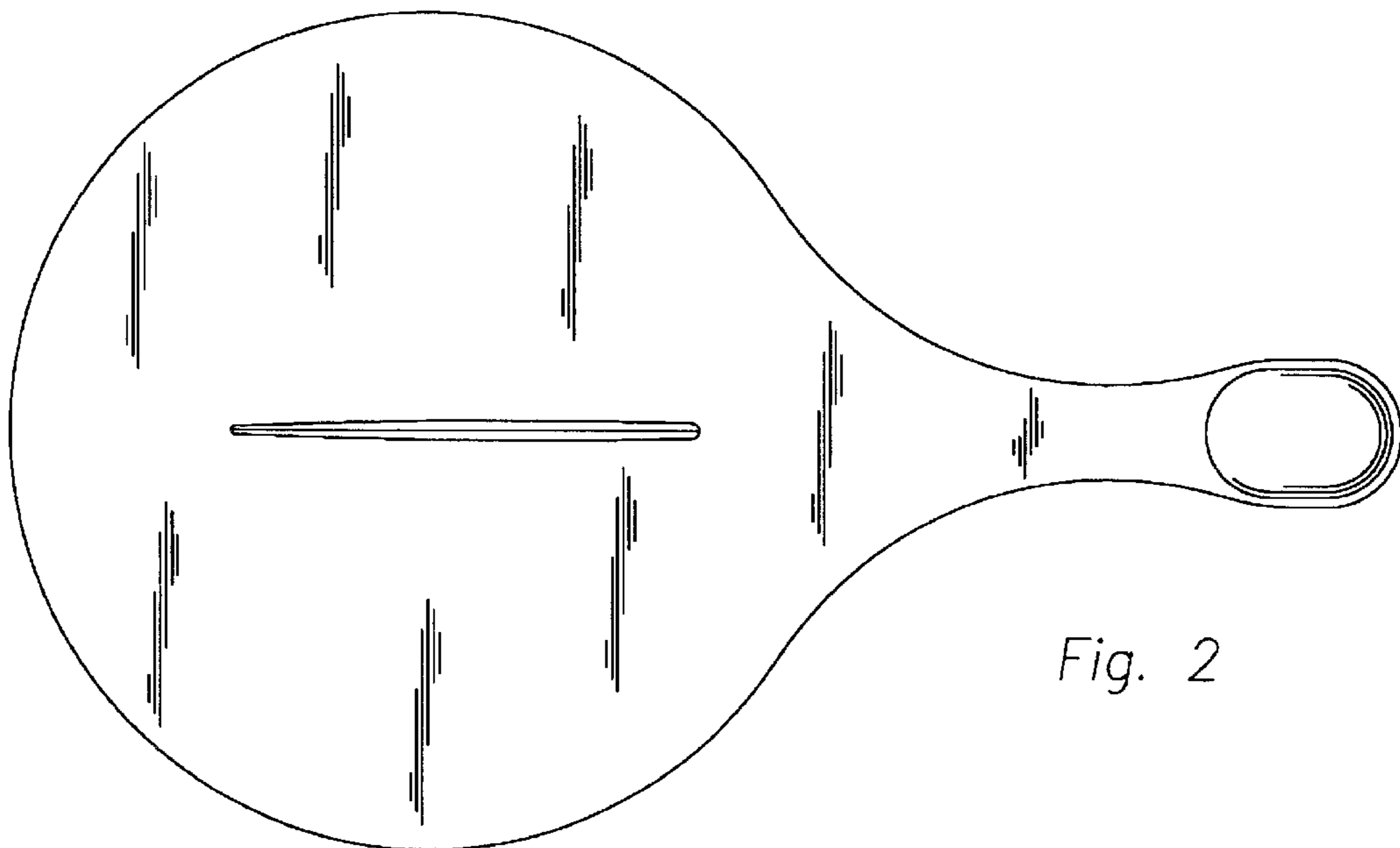
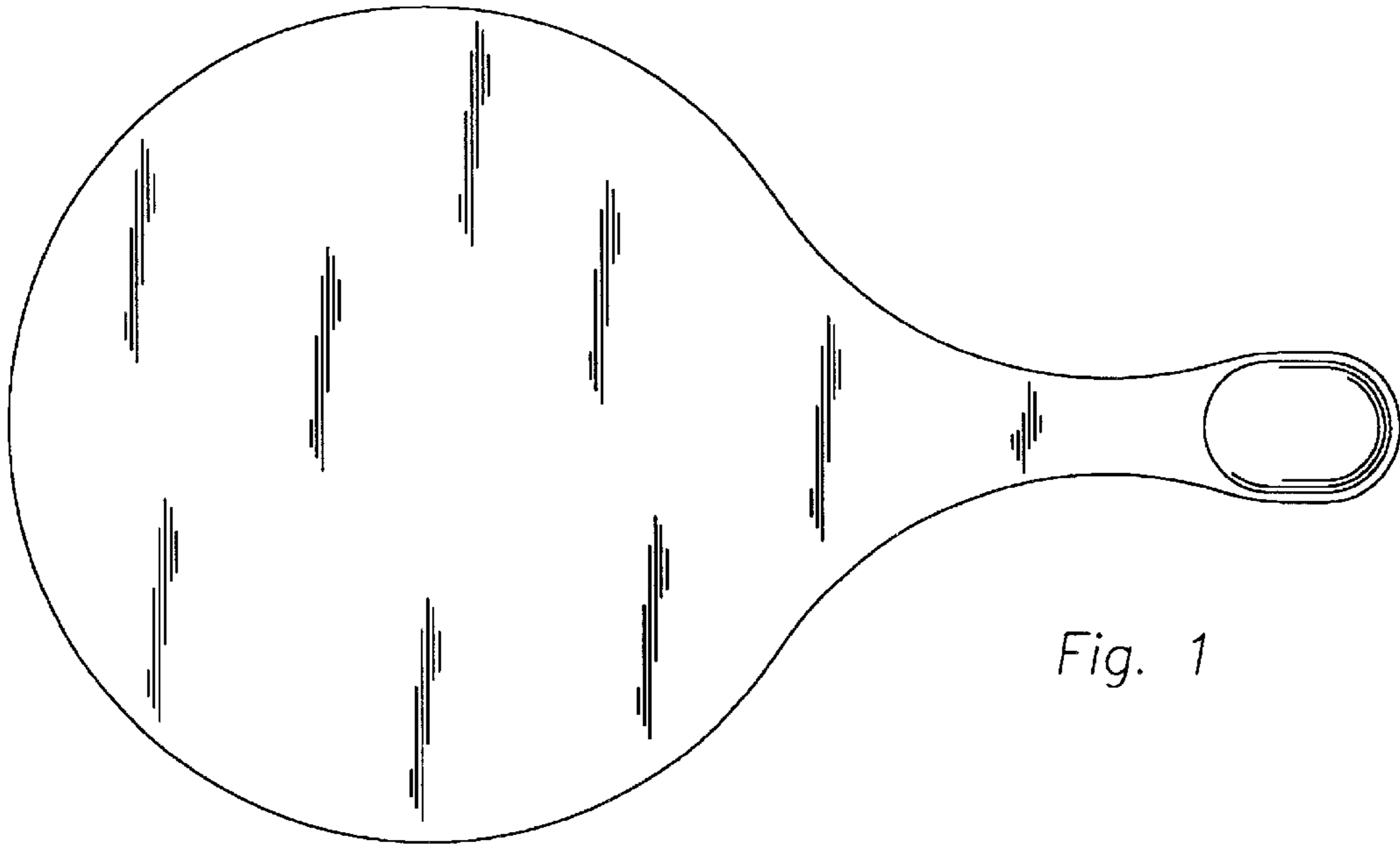
FIG. 5 is a rear view thereof; and,

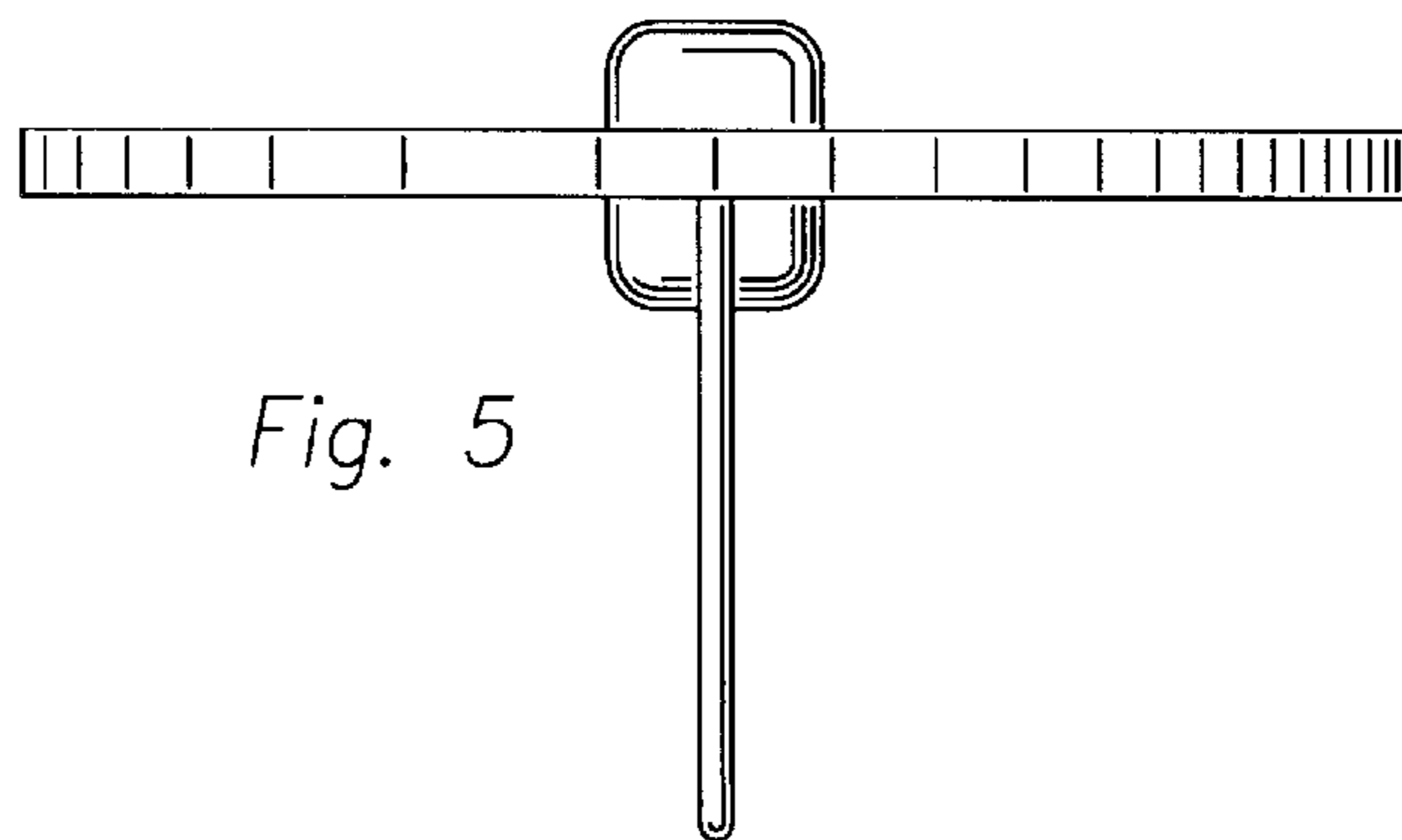
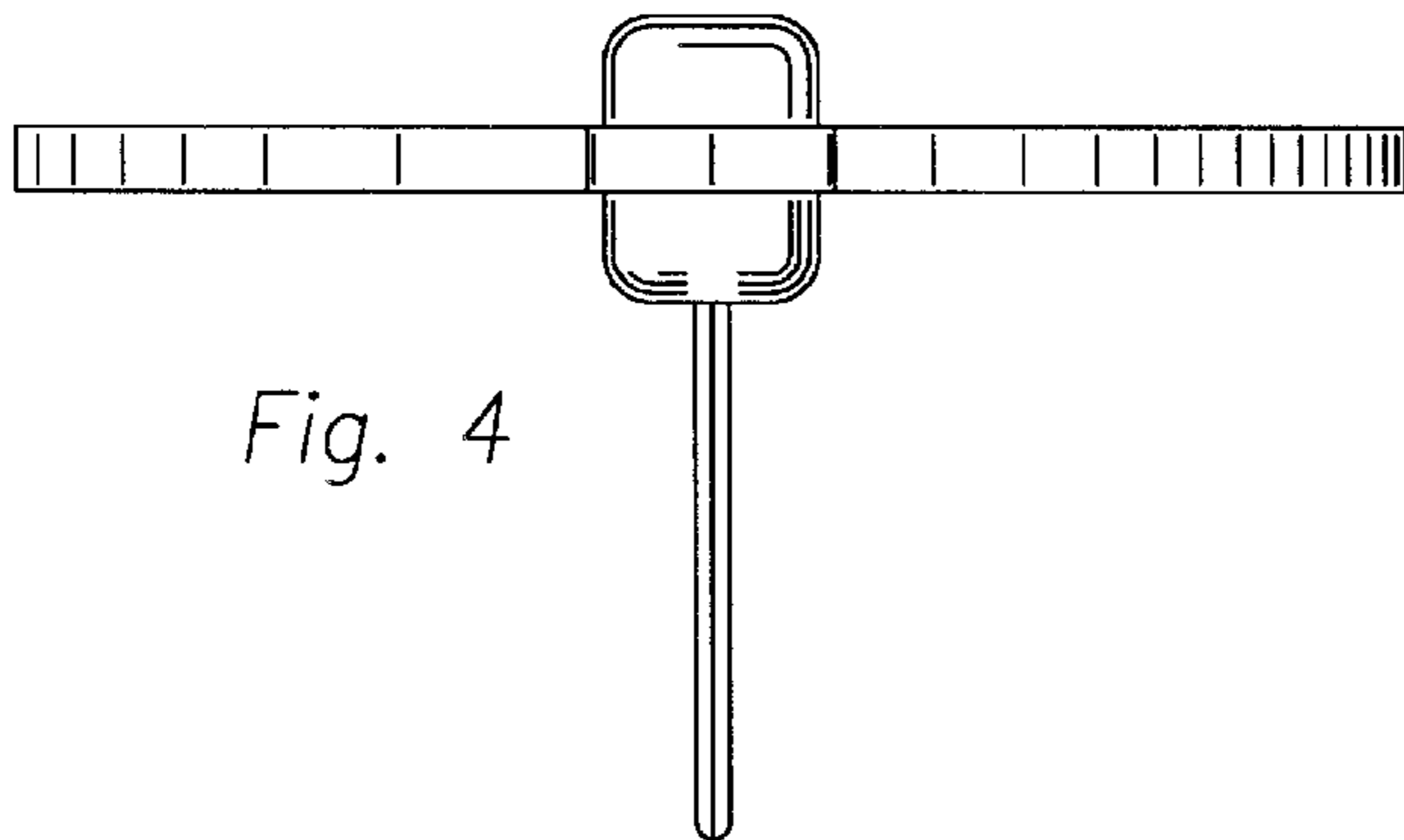
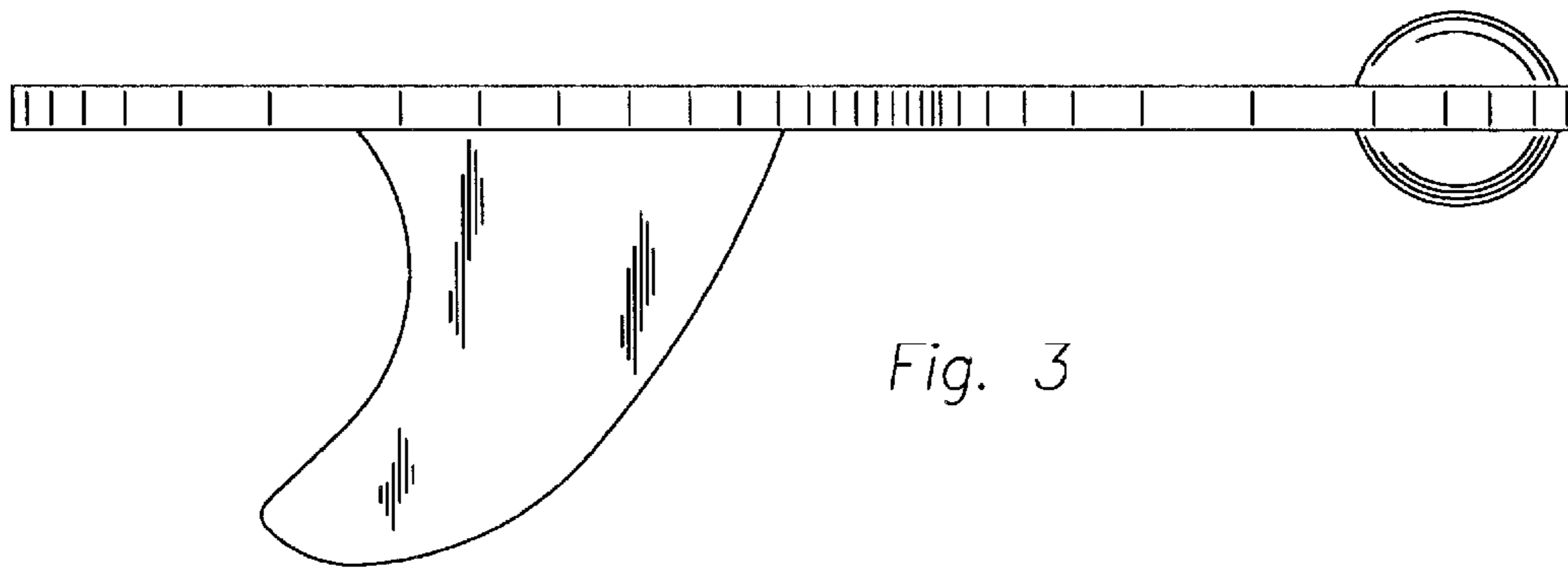
FIG. 6 is a view of my instant invention aimed towards a hockey goal, being submerged underwater, and traveling to said hockey goal.

The broken lines are for environmental purposes only and form no part of the claimed design.

**1 Claim, 3 Drawing Sheets**







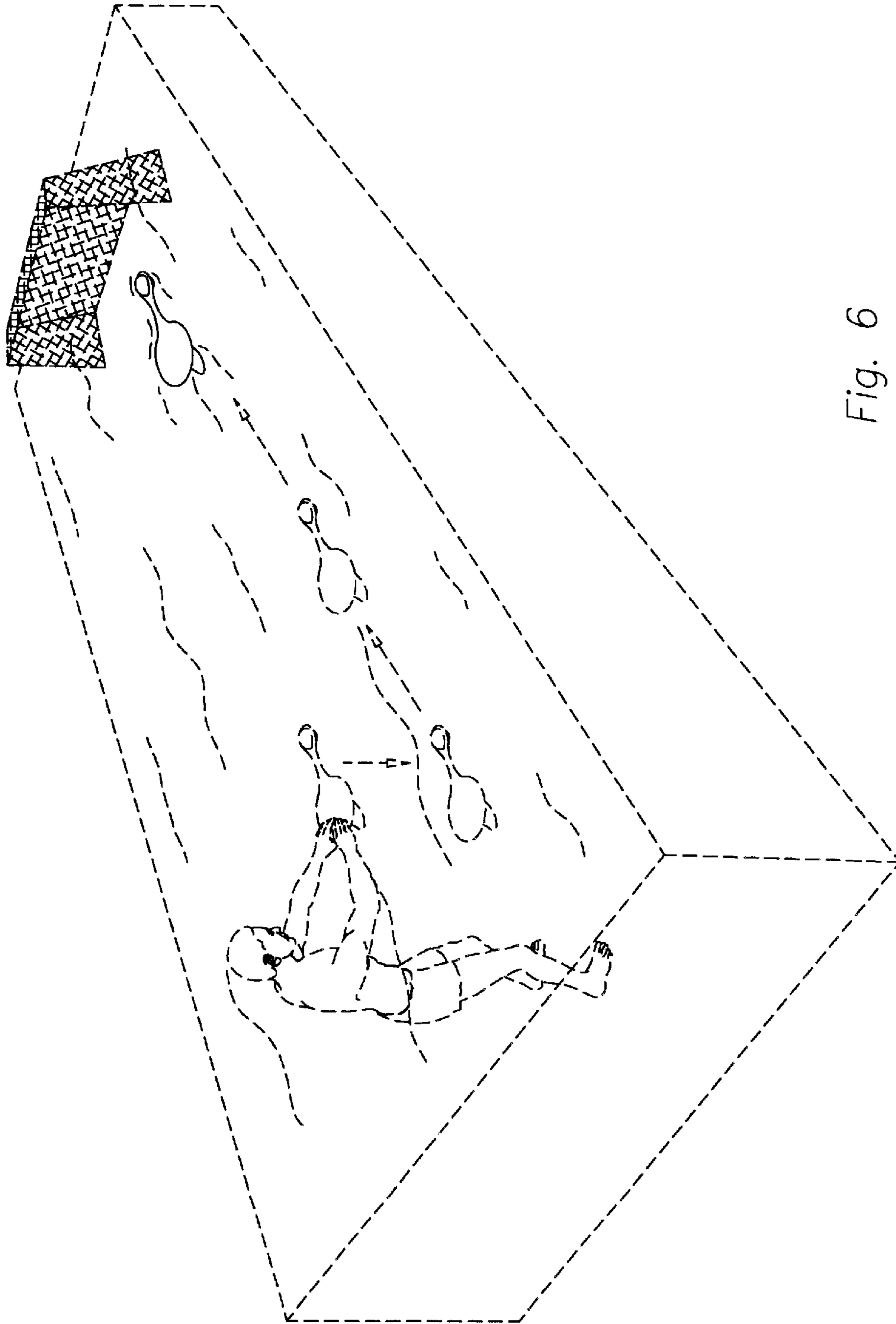


Fig. 6