



US00D484200S

(12) **United States Design Patent**  
**Nye et al.**

(10) **Patent No.: US D484,200 S**

(45) **Date of Patent: \*\* Dec. 23, 2003**

(54) **BASKETBALL BACKBOARD**

(75) Inventors: **Curtis Nye**, Clinton, UT (US); **Robert A. Astle**, Farmington, UT (US); **Christopher Anthony Parada**, Roy, UT (US); **Kevin Bingham**, deceased, late of Farmington, UT (US), by **Kathleen W. Bingham**, executor

(73) Assignee: **Lifetime Products, Inc.**, Clearfield, UT (US)

(\*\*) Term: **14 Years**

5,211,393 A	*	5/1993	Rolffs et al. ....	473/484
D338,934 S	*	8/1993	Vander Weide .....	D21/702
5,377,976 A		1/1995	Matherne et al.	
5,388,821 A		2/1995	Blackburn	
5,464,207 A		11/1995	Boitano	
5,480,139 A		1/1996	Owen, Jr. et al.	
6,004,231 A		12/1999	Schickert et al.	
6,077,177 A		6/2000	Winter et al.	
D431,620 S	*	10/2000	Hill .....	D21/704
6,142,891 A		11/2000	Winter et al.	
6,155,938 A		12/2000	Mower	
D438,920 S	*	3/2001	Matteucci et al. ....	D21/701
6,296,583 B1		10/2001	Tatar, Sr.	

**FOREIGN PATENT DOCUMENTS**

WO DM/063148 \* 9/2002 ..... 21/2

\* cited by examiner

*Primary Examiner*—Philip S. Hyder

*Assistant Examiner*—C Tuttle

(74) *Attorney, Agent, or Firm*—Workman Nydegger

(21) Appl. No.: **29/172,685**

(22) Filed: **Dec. 16, 2002**

(51) **LOC (7) Cl.** ..... **21-02**

(52) **U.S. Cl.** ..... **D21/701; D21/703; D21/704**

(58) **Field of Search** ..... D21/701–705,  
D21/698, 699, 302, 303, 305; 473/433,  
447–449, 472, 476, 479–489

(56) **References Cited**

**U.S. PATENT DOCUMENTS**

D139,311 S	*	10/1944	Gibson .....	D21/702
3,362,709 A		1/1968	Rossini	
3,462,143 A		8/1969	Bidelman et al.	
4,285,518 A		8/1981	Pearo	
4,465,277 A		8/1984	Dittrich	
4,534,556 A		8/1985	Estlund et al.	
4,575,079 A		3/1986	De Faveri	
4,676,503 A		6/1987	Mahoney et al.	
4,723,777 A		2/1988	Jolly	
4,793,611 A	*	12/1988	Thornell .....	473/483
4,846,469 A		7/1989	Nye	
4,895,365 A	*	1/1990	Schroeder .....	473/481
5,066,007 A		11/1991	Niver	
5,154,414 A		10/1992	Auer et al.	

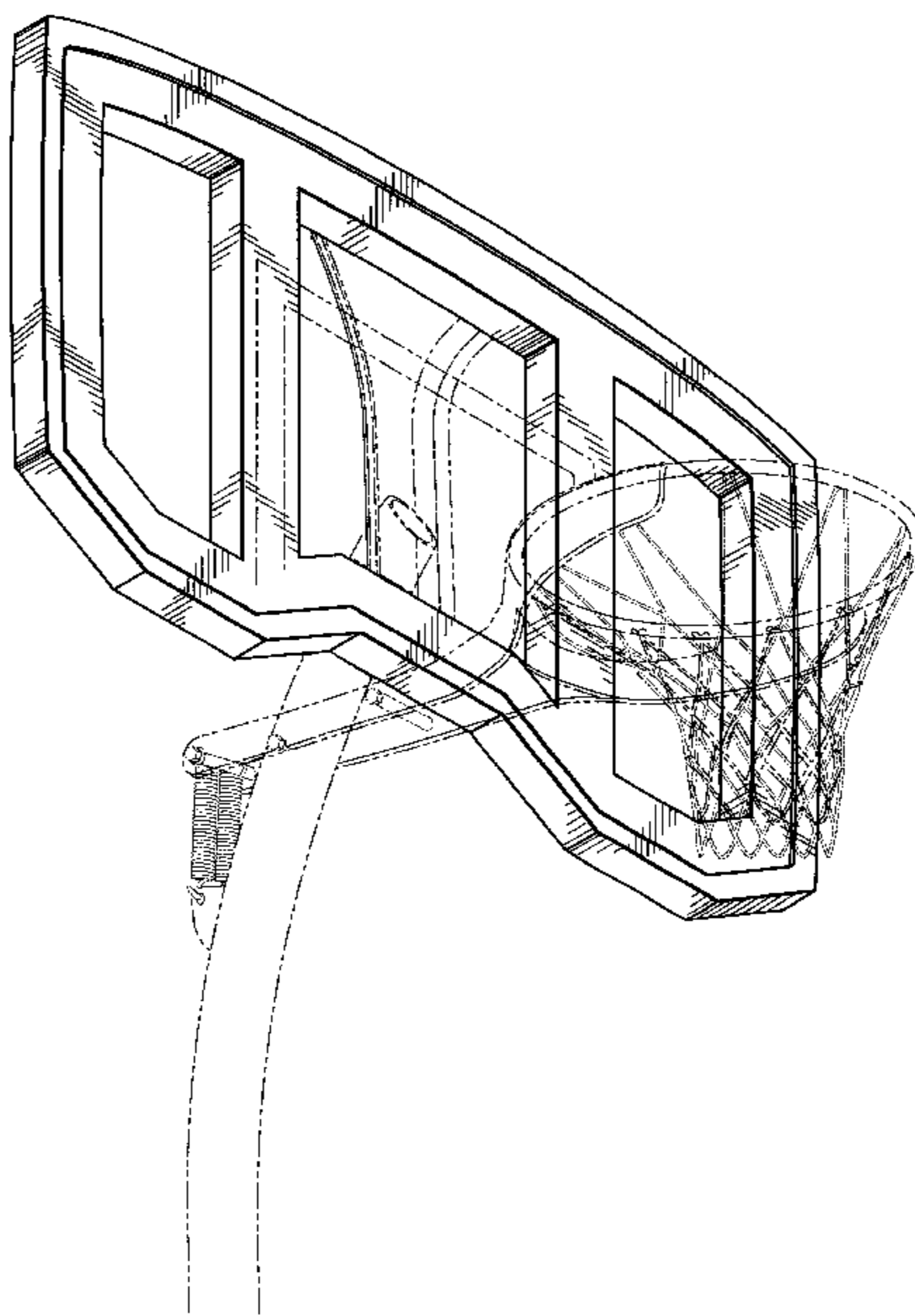
**CLAIM**

(57) The ornamental design for a basketball backboard, as shown and described.

**DESCRIPTION**

FIG. 1 is a perspective view of the basketball backboard; FIG. 2 is a front side view of the basketball backboard; FIG. 3 is a rear side view of the basketball backboard; FIG. 4 is a top view of the basketball backboard; FIG. 5 is a right view of the basketball backboard; FIG. 6 is a left view of the basketball backboard; and, FIG. 7 is a bottom view of the basketball backboard. The broken lines shown in FIGS. 1, 2 and 3 are for illustrative purposes only and form no part of the claimed design.

**1 Claim, 3 Drawing Sheets**



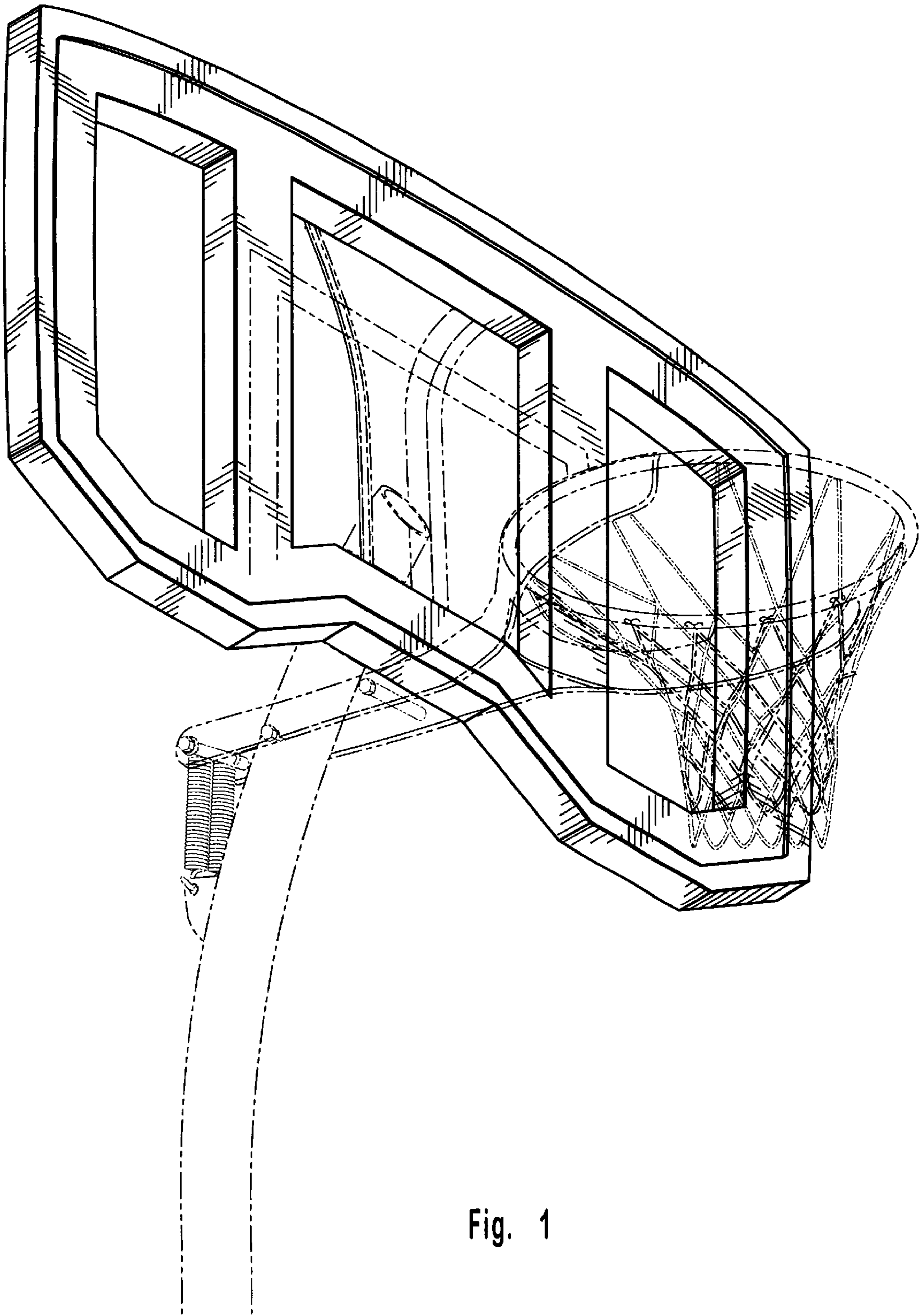


Fig. 1

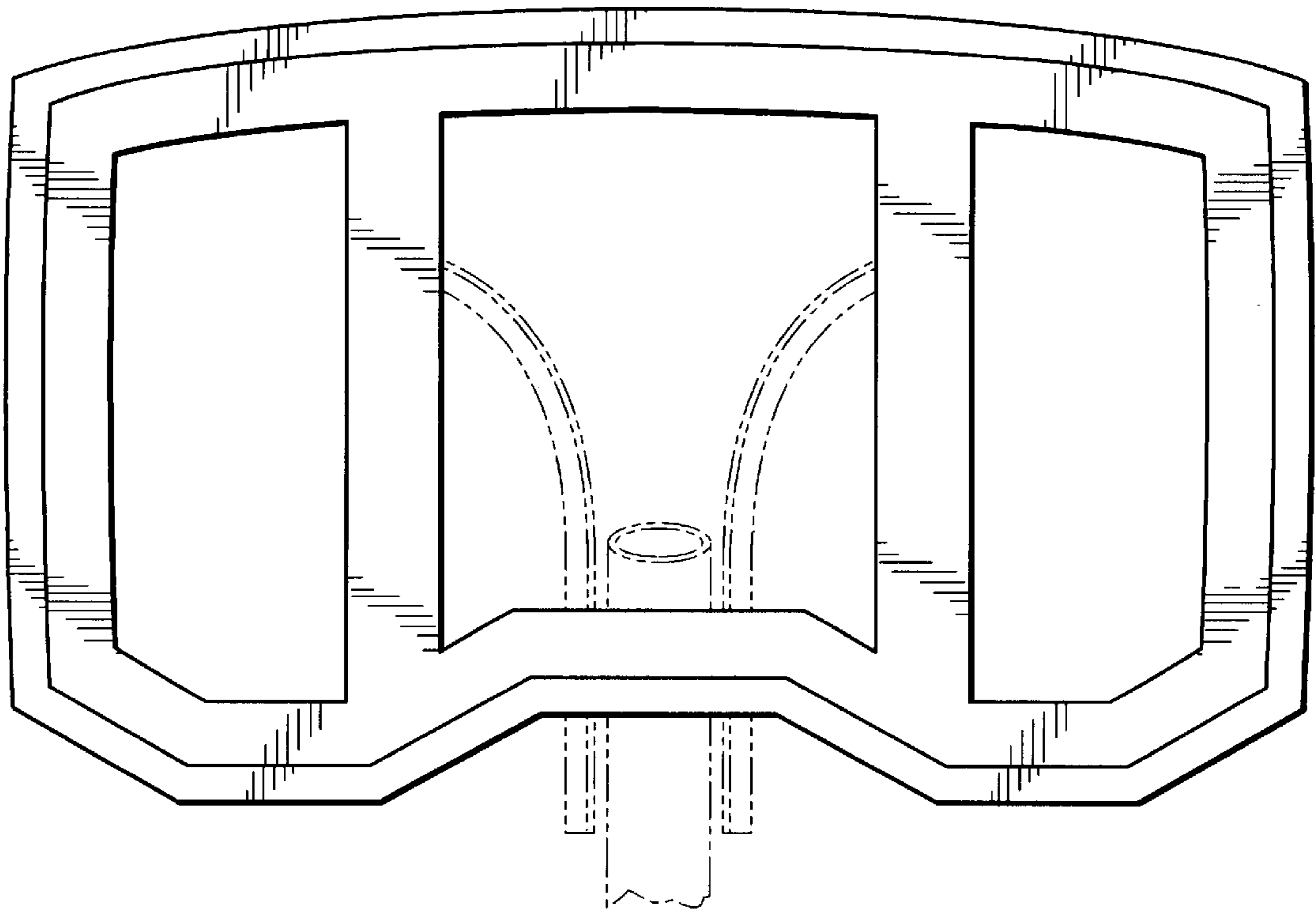


Fig. 2

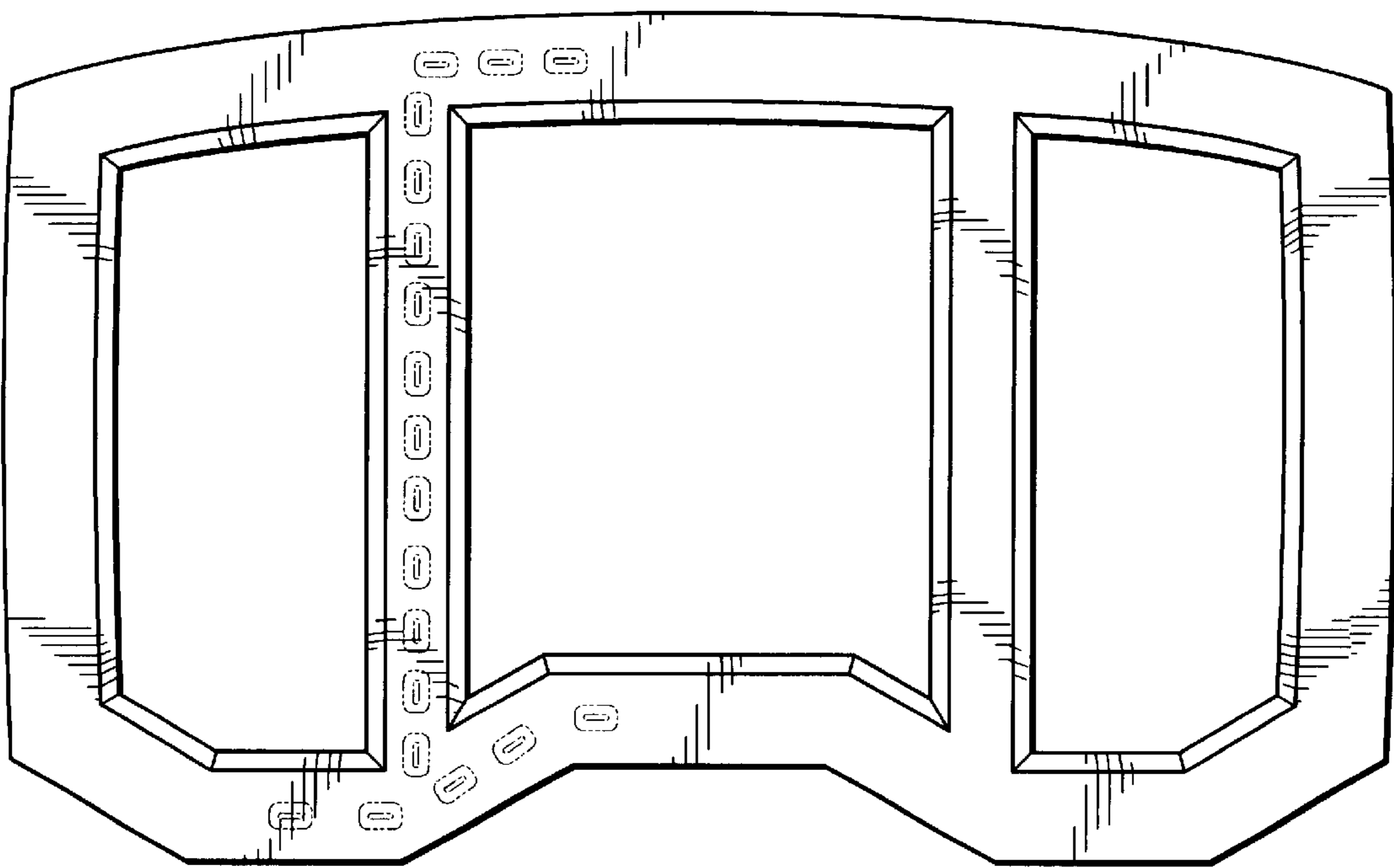


Fig. 3



Fig. 4

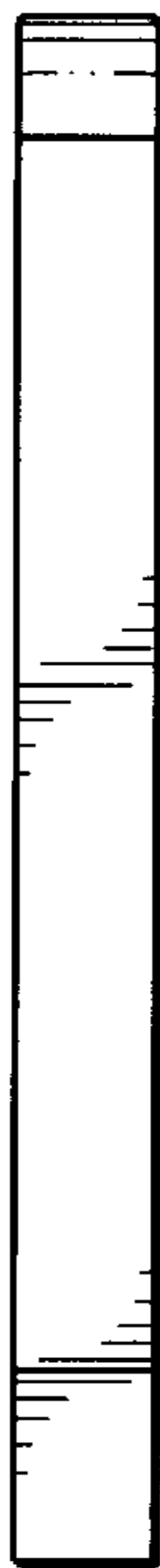


Fig. 5

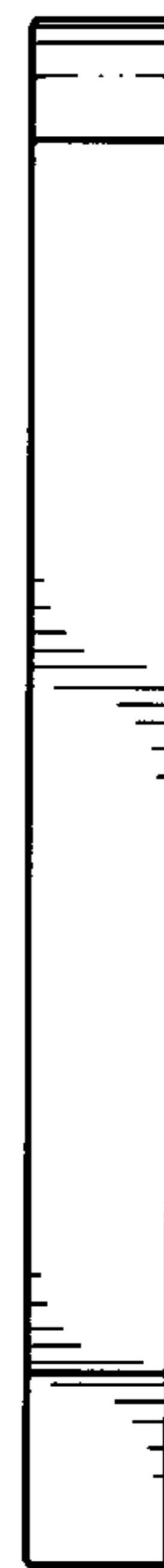


Fig. 6

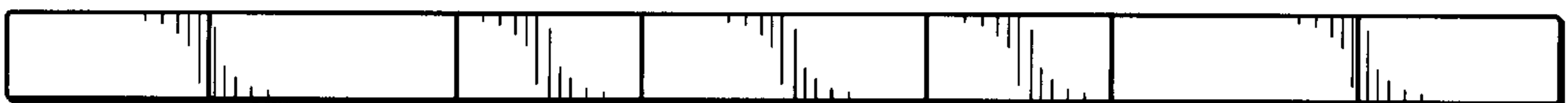


Fig. 7