



US00D484193S

(12) **United States Design Patent**
Huang

(10) **Patent No.:** **US D484,193 S**

(45) **Date of Patent:** **** Dec. 23, 2003**

(54) **DIGITAL GAME LIGHT**

(76) Inventor: **Henry Huang**, 1800 Jefferson Park
Ave. #59, Charlottesville, VA (US)
22903

(**) Term: **14 Years**

(21) Appl. No.: **29/180,474**

(22) Filed: **Apr. 24, 2003**

(51) **LOC (7) Cl.** **21-01**

(52) **U.S. Cl.** **D21/333**

(58) **Field of Search** D21/324-333,
D21/369, 385; D3/218; D26/24, 26, 51,
52, 72; 273/148 A, 148 B, 108, 118 R,
123 R, 454; 463/46, 47, 49, 16-22; 345/97,
98, 101, 109, 217, 21

(56) **References Cited**

U.S. PATENT DOCUMENTS

4,589,659	A	*	5/1986	Yokoi et al.	463/46
5,379,201	A	*	1/1995	Friedman	362/191
5,868,487	A	*	2/1999	Polley et al.	362/109
D426,860	S	*	6/2000	Ho	D21/333
D448,426	S	*	9/2001	Yu	D21/333
D458,644	S	*	6/2002	Yu	D21/333

D461,509 S * 8/2002 Yu D21/333

D461,849 S * 8/2002 Hussaini et al. D21/333

D462,094 S * 8/2002 Hussaini et al. D21/333

D462,395 S * 9/2002 Hussaini et al. D21/333

6,493,216 B1 * 12/2002 Lin 345/905

* cited by examiner

Primary Examiner—Prabhakar Deshmukh

(74) *Attorney, Agent, or Firm*—Sheldon H. Parker; Parker & DeStefano

(57) **CLAIM**

The ornamental design for a digital game light, as shown and described.

DESCRIPTION

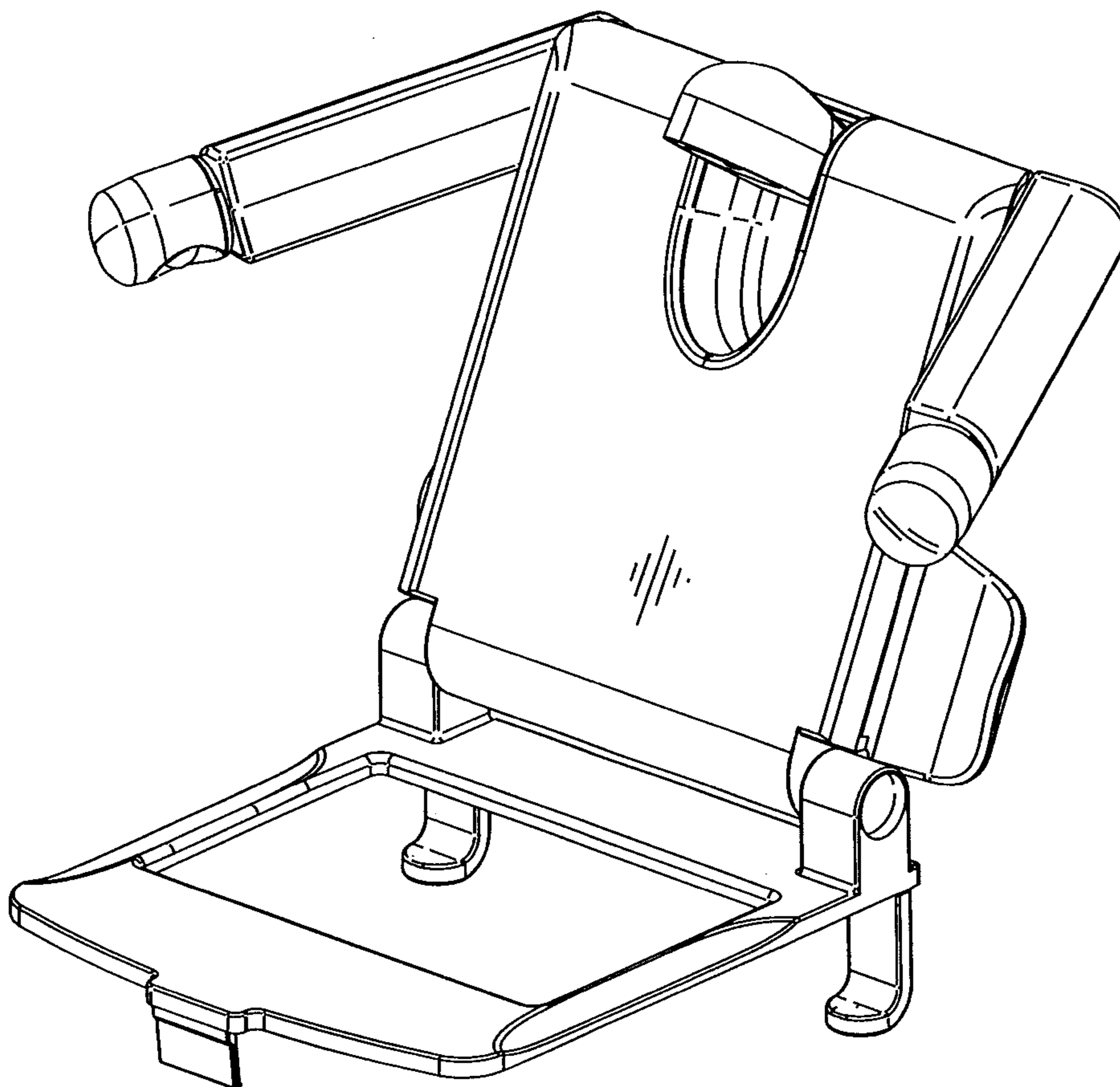
FIG. 1 is a top plan view thereof, with the game light open; FIG. 2 is a bottom plan view thereof, with the game light closed;

FIG. 3 is a top plan view thereof, with the game light closed; FIG. 4 is a top perspective view thereof, with the game light closed;

FIG. 5 is a side perspective view with the game light open; FIG. 6 is a side elevational view with the game light closed; and,

FIG. 7 is a side elevational view with the game light open.

1 Claim, 6 Drawing Sheets



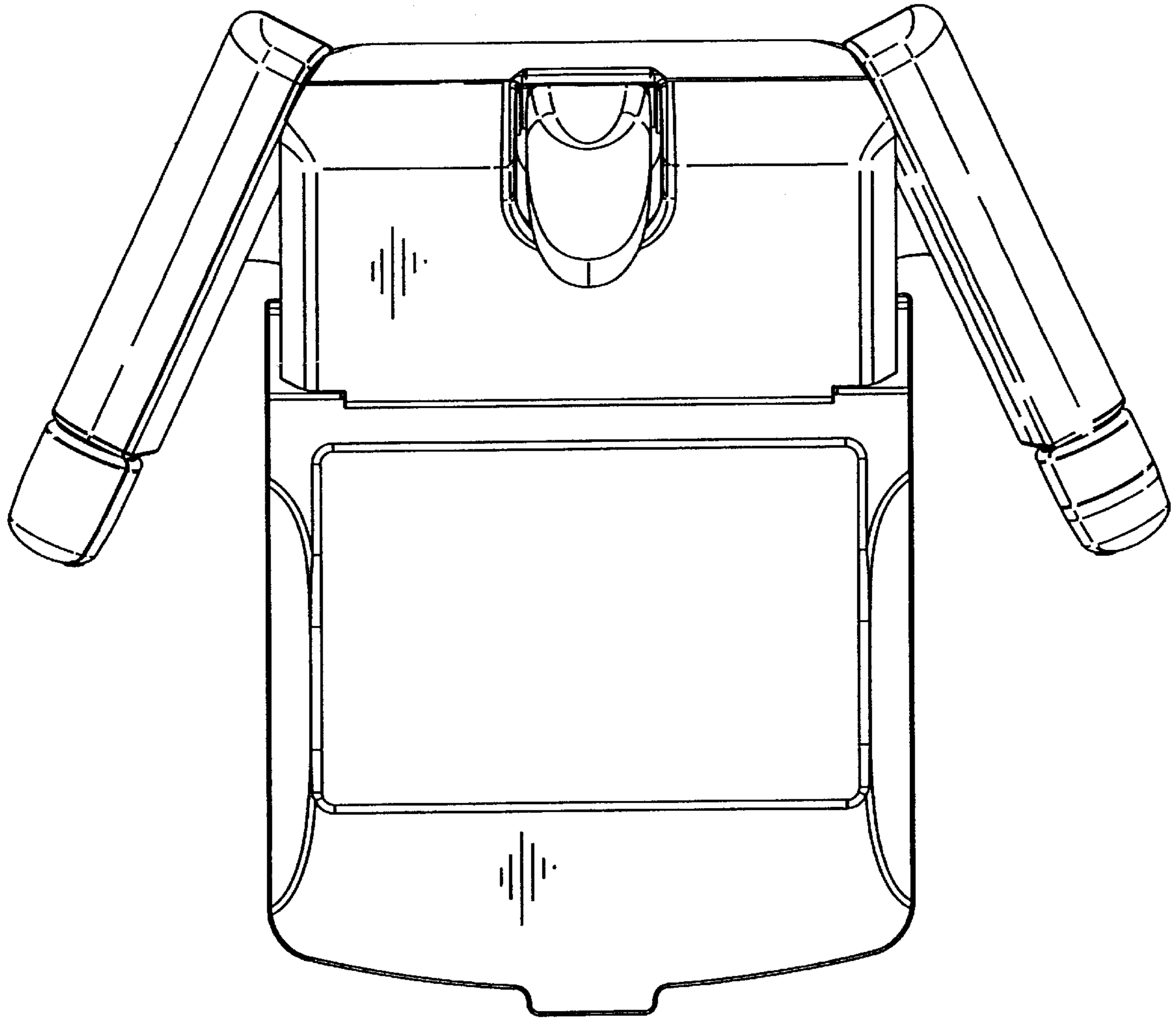


FIGURE 1

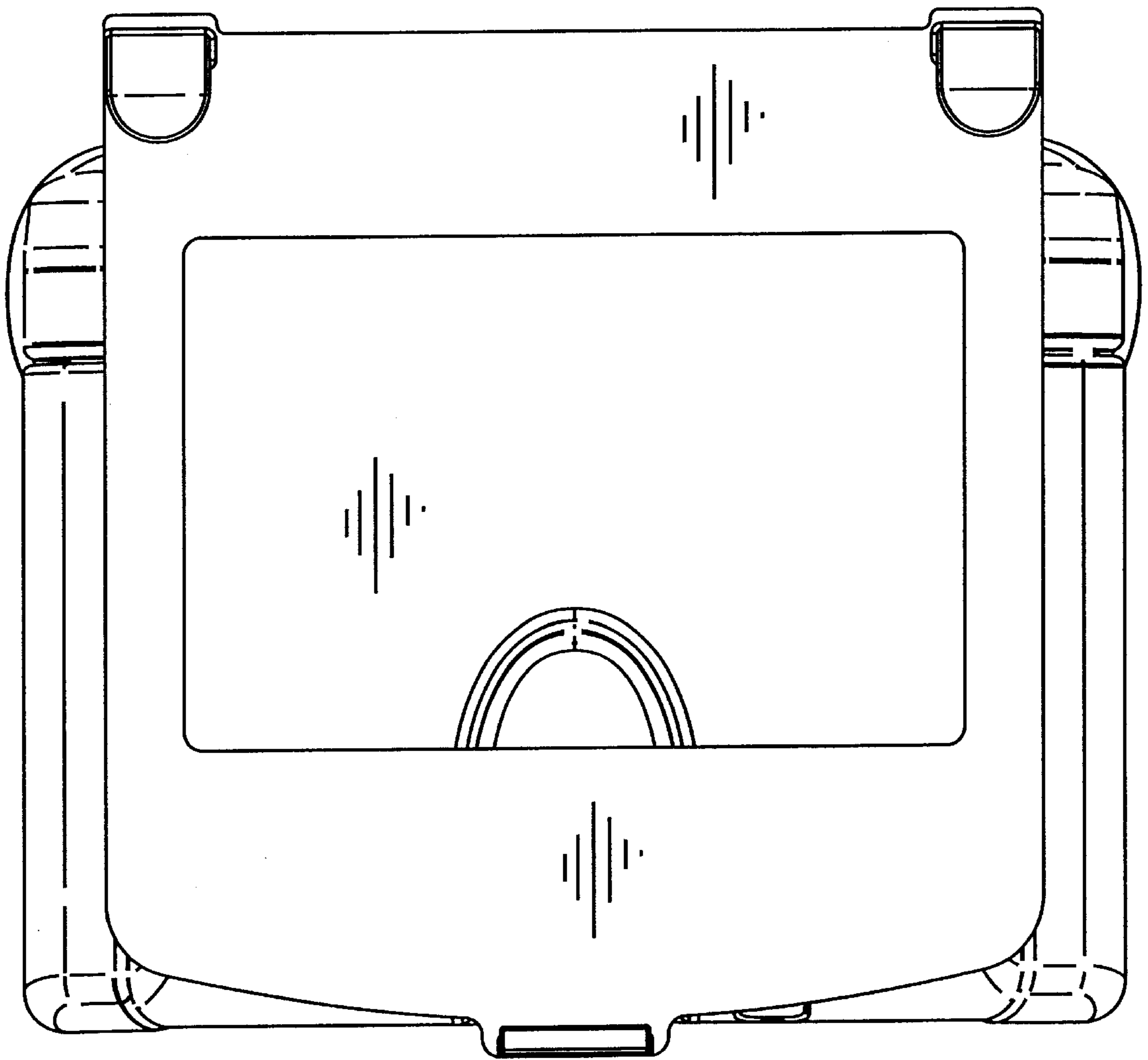


FIGURE 2

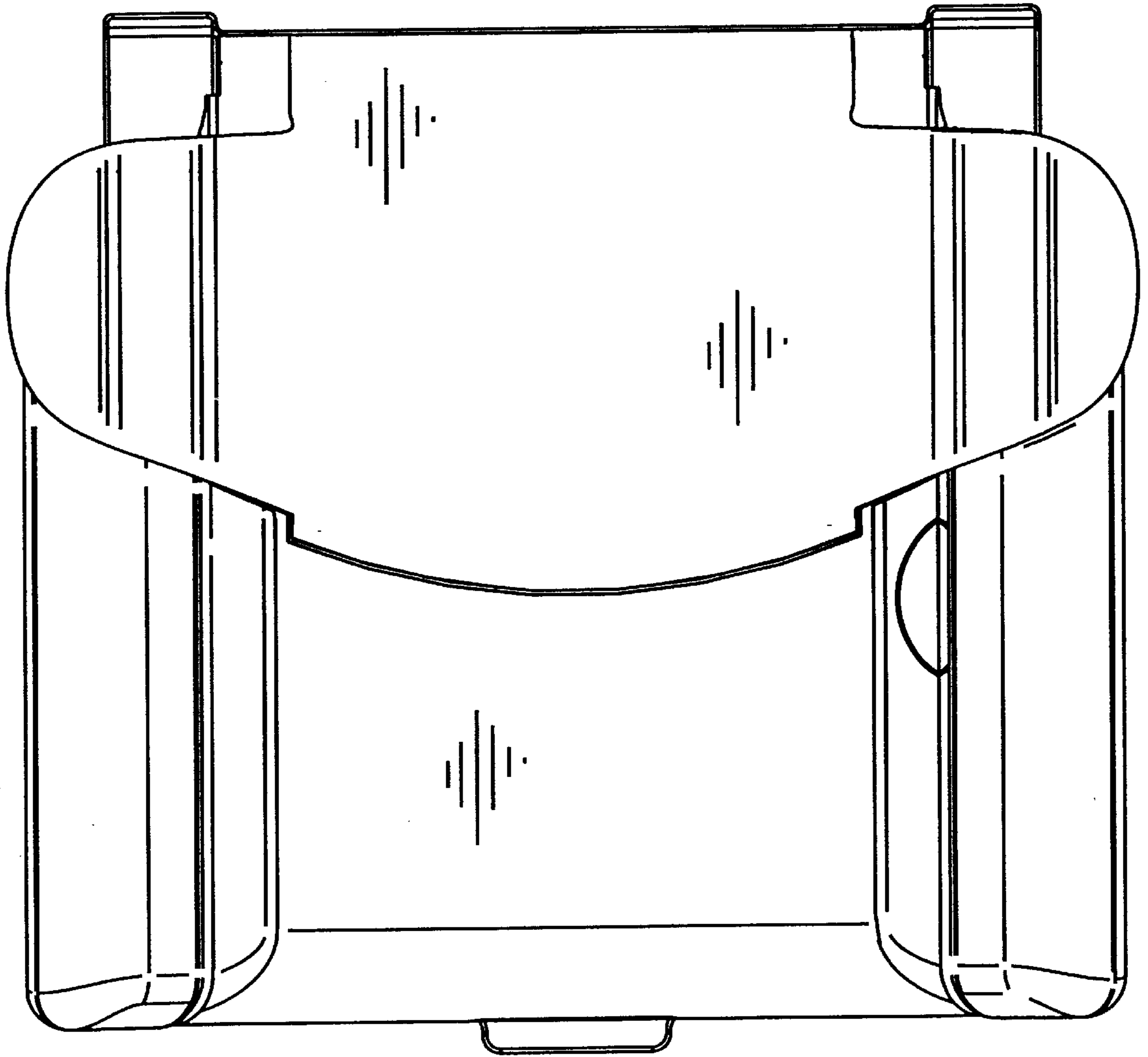


FIGURE 3

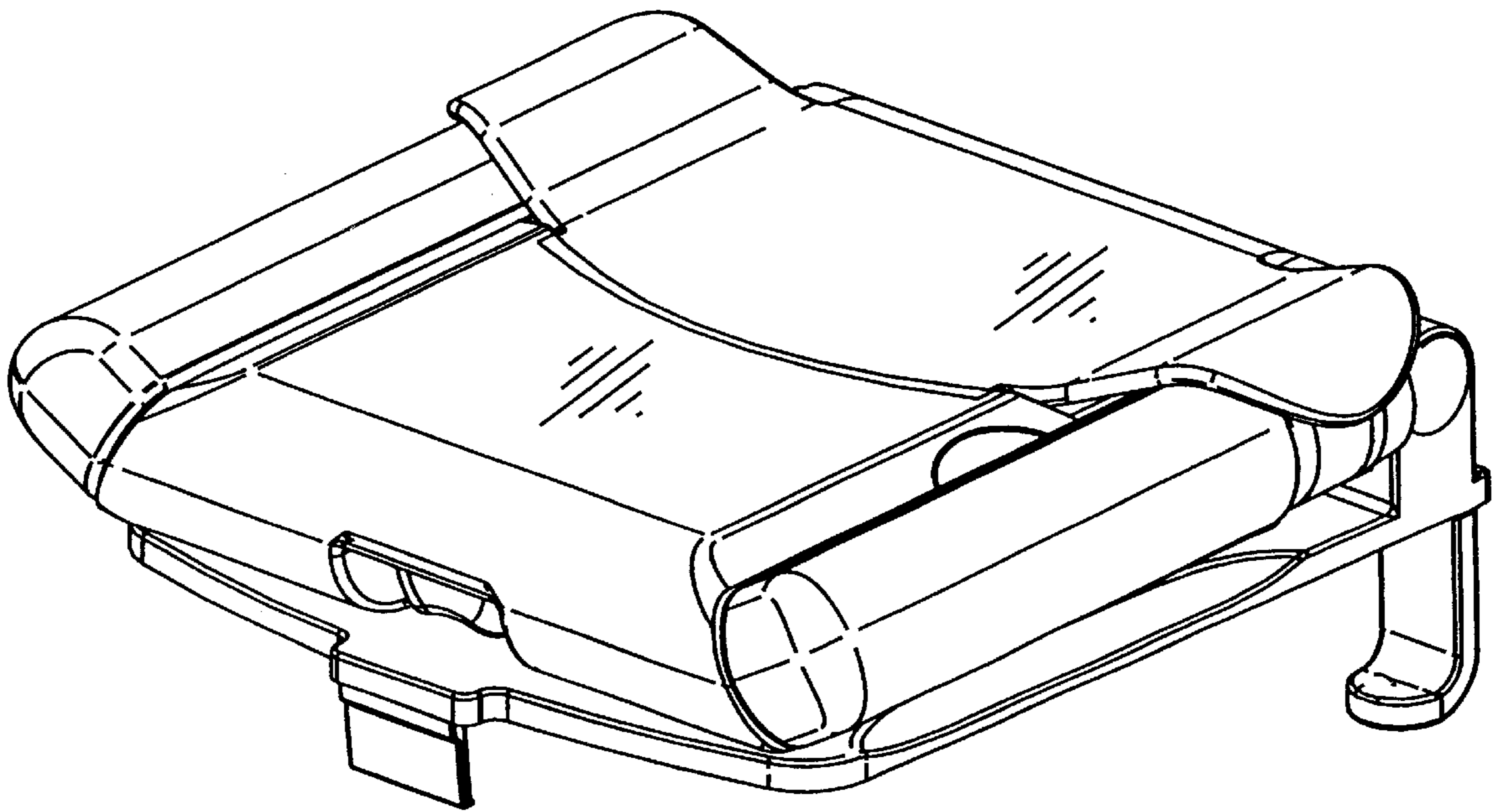


Figure 4

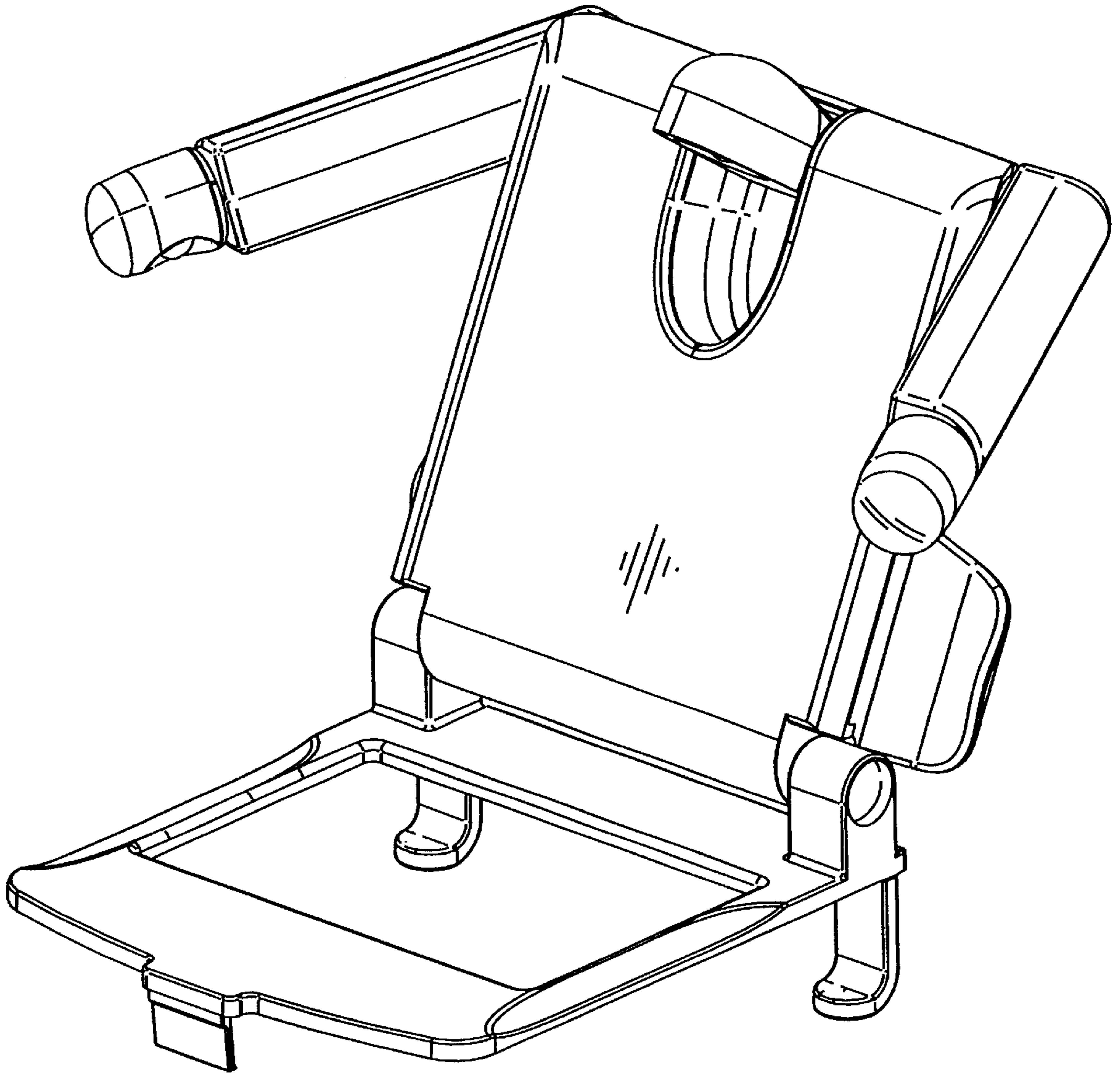


Figure 5

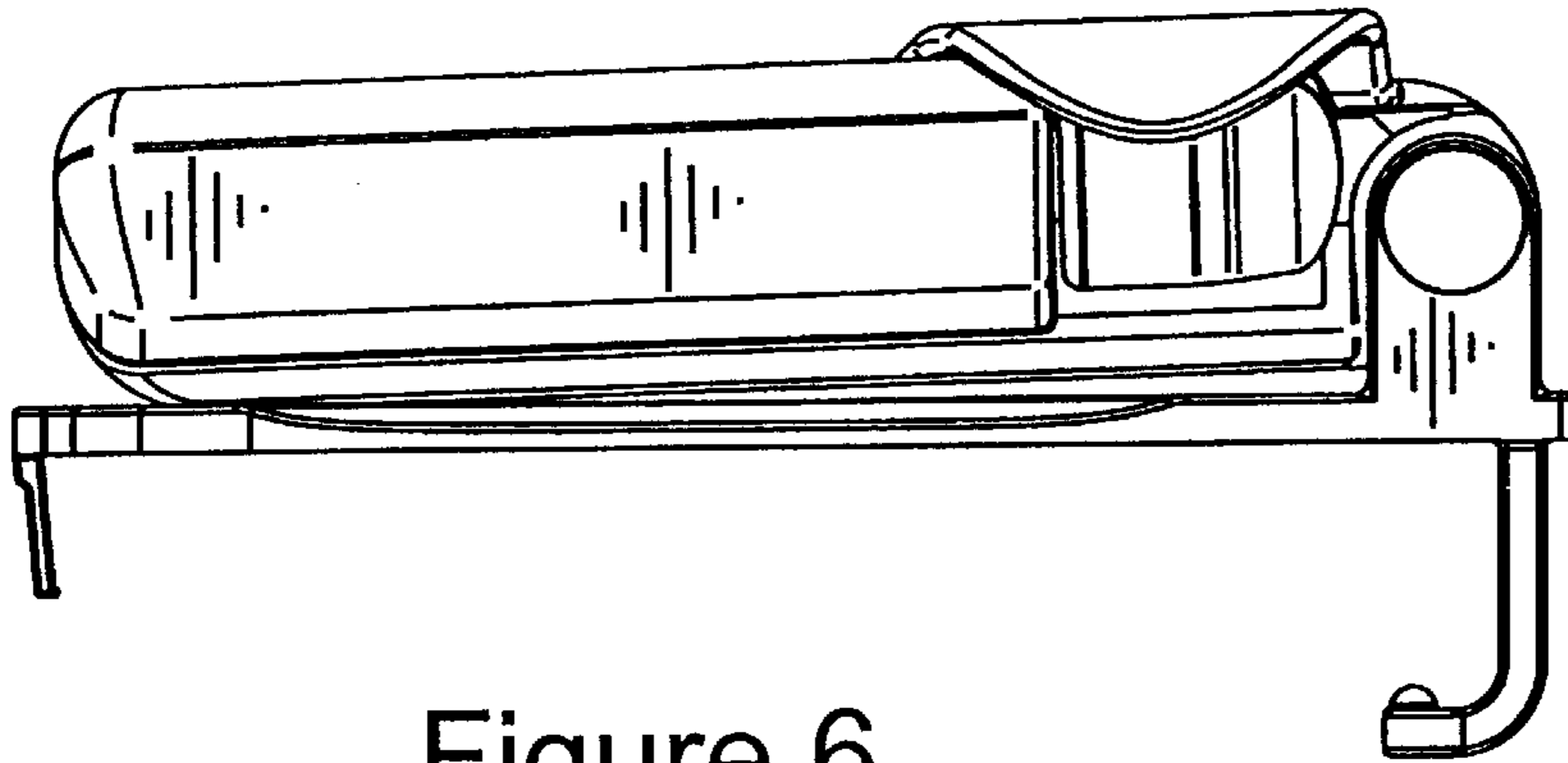


Figure 6

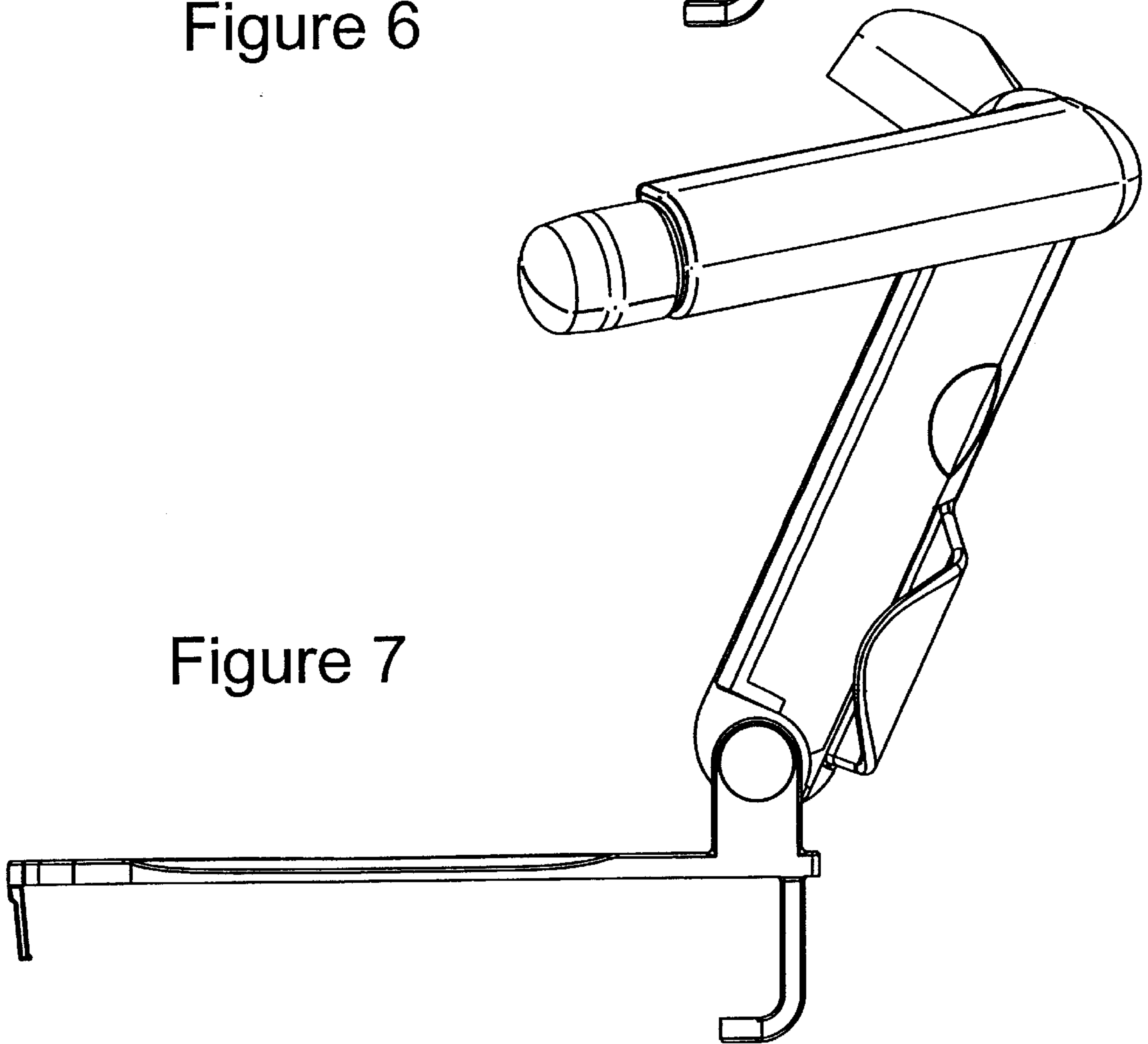


Figure 7