



US00D484188S

(12) **United States Design Patent**
Cetera

(10) **Patent No.:** **US D484,188 S**

(45) **Date of Patent:** **** Dec. 23, 2003**

(54) **PEN**

(75) **Inventor:** **Carl Cetera, Tenafly, NJ (US)**

(73) **Assignee:** **Cotapaxi, Inc, Englewood, NJ (US)**

(**) **Term:** **14 Years**

(21) **Appl. No.:** **29/180,498**

(22) **Filed:** **Apr. 22, 2003**

(51) **LOC (7) Cl.** **19-06**

(52) **U.S. Cl.** **D19/51; D19/56; D19/57**

(58) **Field of Search** **D19/35, 36, 41-51,**
D19/53-58, 81-85; 40/334; 401/98, 99-101,
102, 103-106, 107-110, 111-117, 202,
209, 213, 243-247, 262

(56) **References Cited**

U.S. PATENT DOCUMENTS

D198,419 S	*	6/1964	Hankins	D19/49
3,343,292 A	*	9/1967	Jorgensen	40/334
3,792,931 A	*	2/1974	Ganz	401/109
D312,837 S	*	12/1990	Oka	D19/51
D362,019 S	*	9/1995	Linderson	D19/48
D413,145 S	*	8/1999	Brescia et al.	D19/51

* cited by examiner

Primary Examiner—Martie K. Holtje

(74) *Attorney, Agent, or Firm*—Michael E. Hoffman; The Soni Law Firm

(57) **CLAIM**

The ornamental design for a pen, as shown and described.

DESCRIPTION

FIG. 1 is a perspective view of the first embodiment of a pen; FIG. 2 is a left side elevational view of the pen of FIG. 1; FIG. 3 is a front side elevational view of the pen of FIG. 1; FIG. 4 is a back side elevational view of the pen of FIG. 1; FIG. 5 is a bottom plan view of the pen of FIG. 1; and FIG. 6 is a top plan view of the pen of FIG. 1.

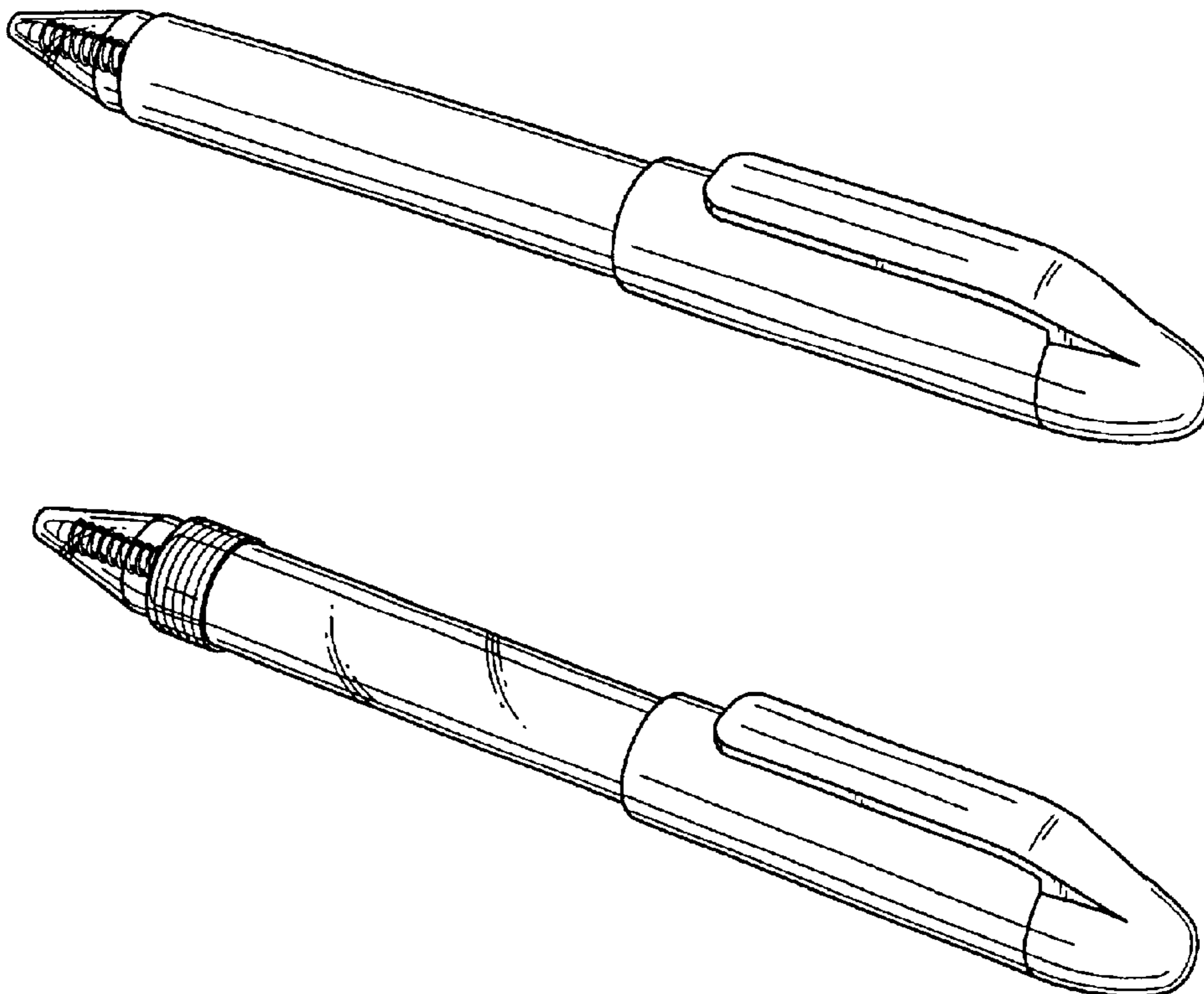
FIG. 7 is a perspective view of the second embodiment of the pen;

FIG. 8 is a left side elevational view of the pen of FIG. 7; FIG. 9 is a front side elevational view of the pen of FIG. 7; FIG. 10 is a back side elevational view of the pen of FIG. 7; FIG. 11 is a bottom plan view of the pen of FIG. 7; and, FIG. 12 is a top plan view of the pen of FIG. 7.

The right side elevational view of the pen shown in FIG. 1 is opposite from and a mirror image of the left side elevational view of FIG. 2.

The right side elevational view of the pen shown in FIG. 7 is opposite from and a mirror image of the left side elevational view of FIG. 8.

1 Claim, 2 Drawing Sheets



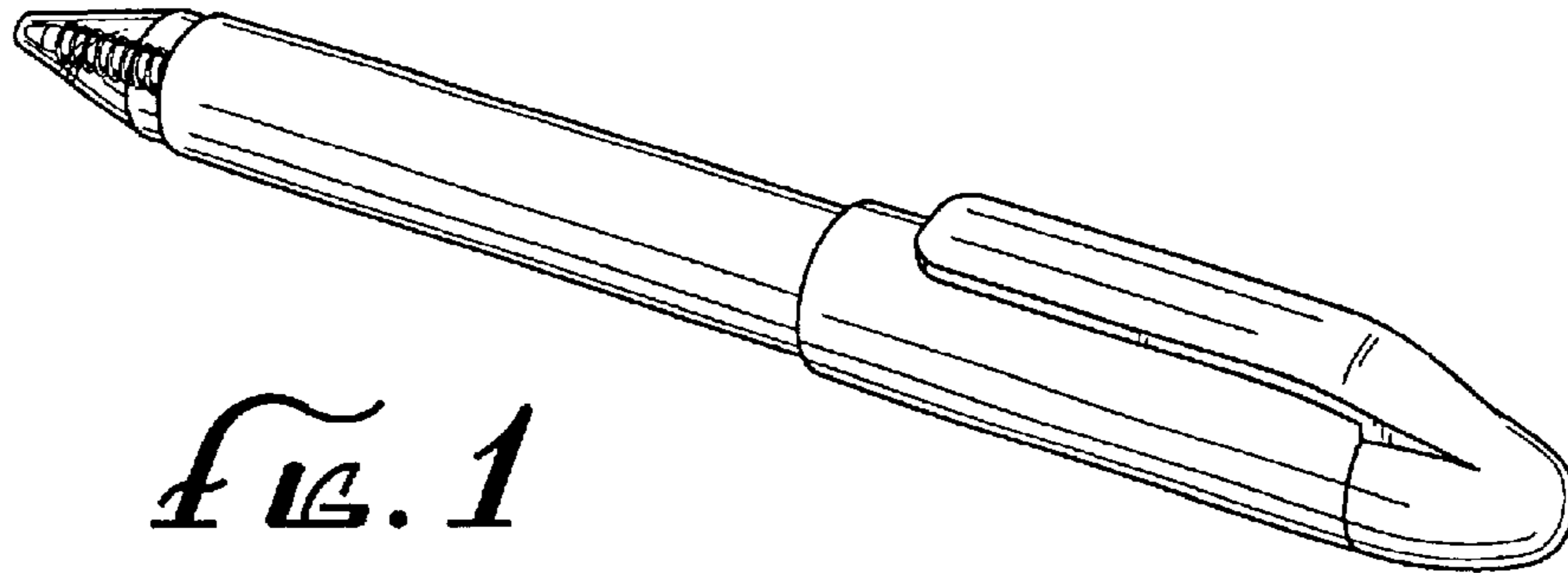


FIG. 1

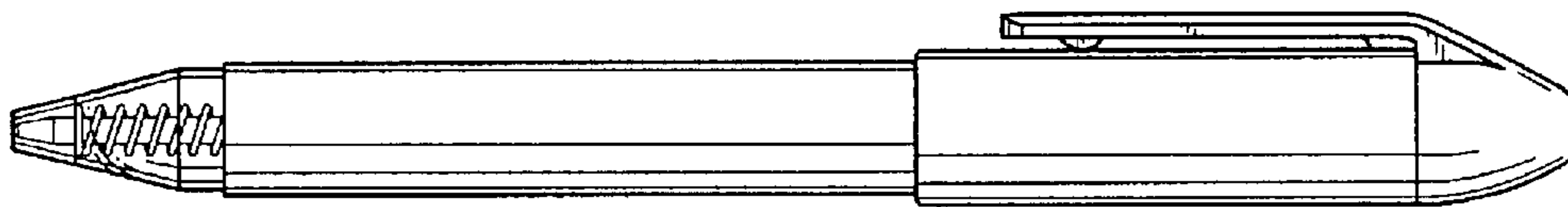


FIG. 2

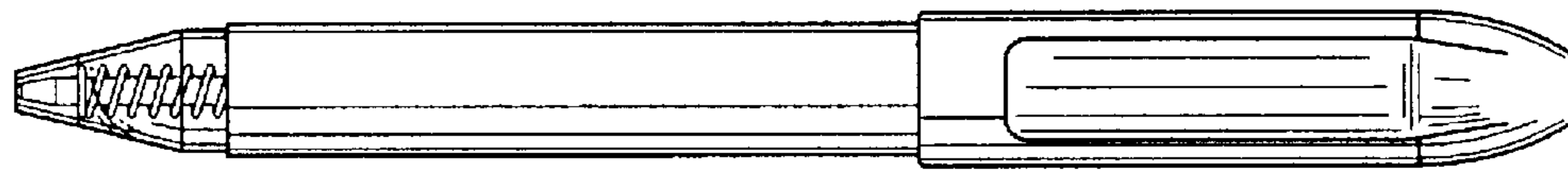


FIG. 3

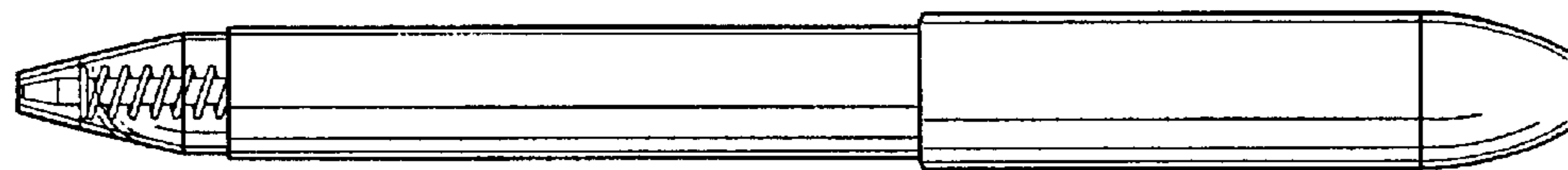


FIG. 4

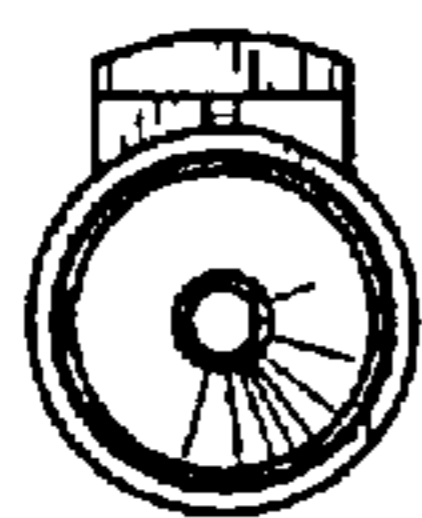


FIG. 5



FIG. 6

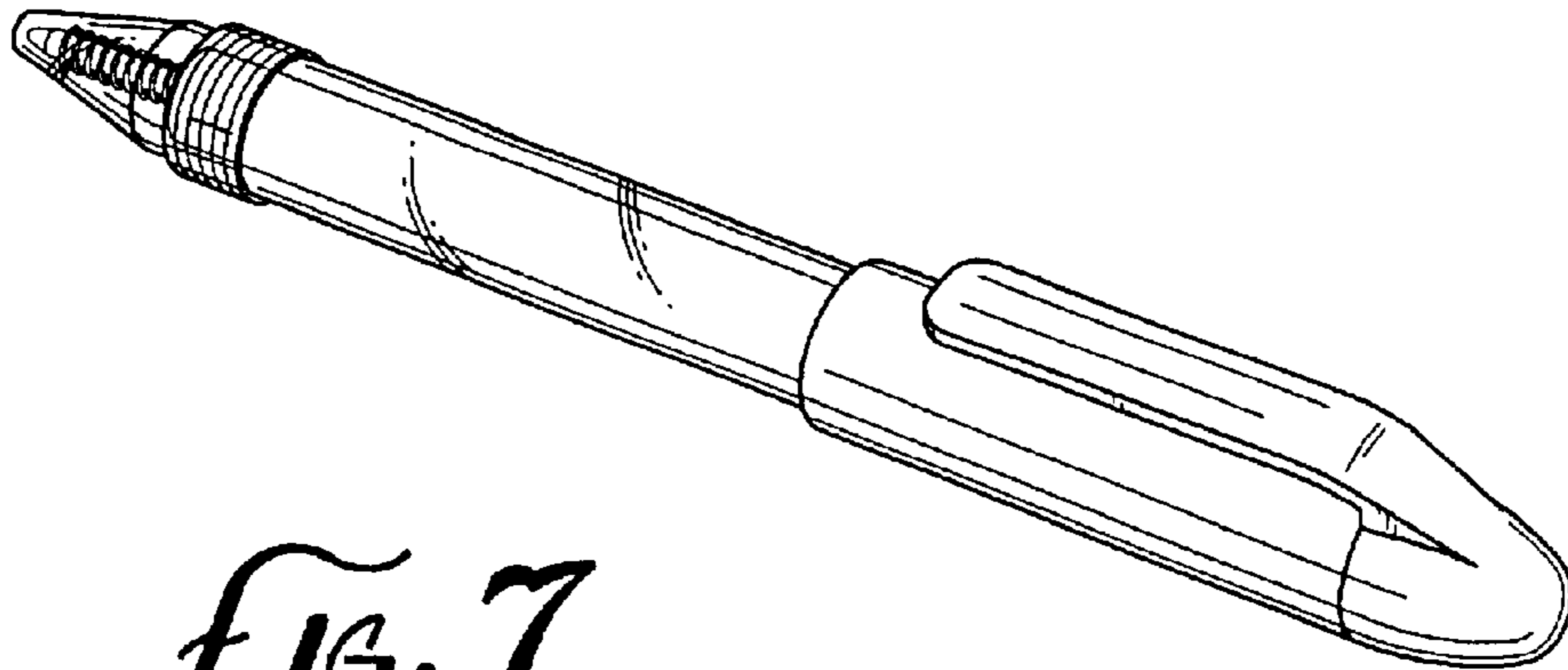


FIG. 7

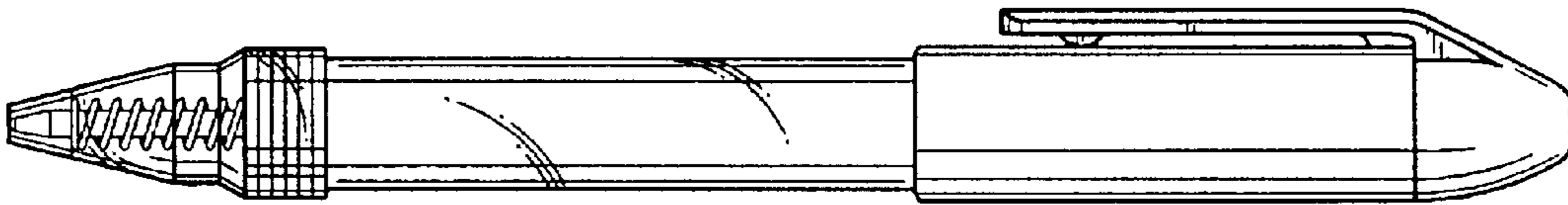


FIG. 8

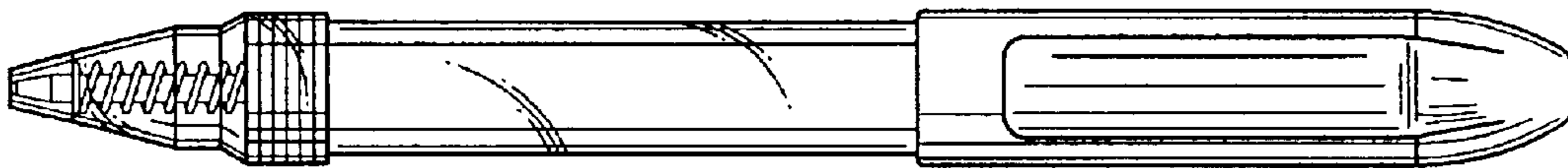


FIG. 9

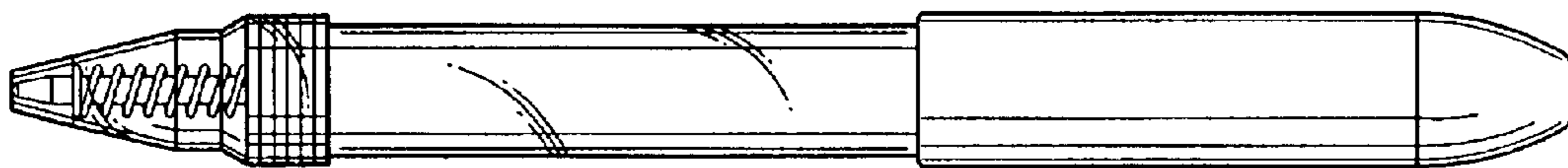


FIG. 10

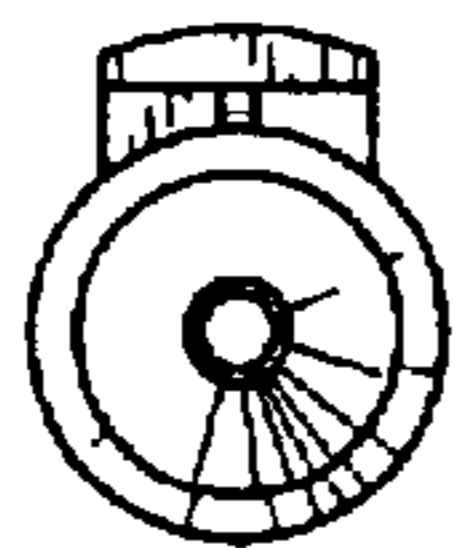


FIG. 11



FIG. 12