



US00D484184S

(12) **United States Design Patent**
Hattori

(10) **Patent No.:** **US D484,184 S**

(45) **Date of Patent:** **** Dec. 23, 2003**

(54) **PRINTER WITH COPYING, SCANNING AND FACSIMILE FUNCTIONS**

(75) Inventor: **Mitsuharu Hattori**, Nagoya (JP)

(73) Assignee: **Brother Industries, Limited**, Nagoya (JP)

(**) Term: **14 Years**

(21) Appl. No.: **29/163,446**

(22) Filed: **Jul. 8, 2002**

(30) **Foreign Application Priority Data**

Jan. 7, 2002 (JP) 2002-000083

(51) **LOC (7) Cl.** **14-02**

(52) **U.S. Cl.** **D18/50**

(58) **Field of Search** D14/420-430,
D14/462-470; D18/19, 36-39, 50, 53, 54-55;
400/613, 613.1-613.4, 691-694, 690.1-690.4,
625

(56) **References Cited**

U.S. PATENT DOCUMENTS

4,689,693	A	*	8/1987	Watanabe	D14/425
D326,278	S	*	5/1992	Grosse	D18/54
D332,258	S	*	1/1993	Urushihara et al.	D14/464
5,297,018	A	*	3/1994	Kashimura	400/693
D353,154	S	*	12/1994	Suzuki	D18/50
5,454,555	A	*	10/1995	Kiyohara et al.	400/625
D372,935	S	*	8/1996	Quijano et al.	D18/36
D374,888	S	*	10/1996	Udagawa	D18/50

5,816,723	A	*	10/1998	Takahashi et al.	400/625
D443,638	S	*	6/2001	Kobayashi et al.	D18/54
D448,403	S	*	9/2001	Omuro et al.	D18/50
6,307,736	B1	*	10/2001	Song et al.	400/693
6,336,758	B1	*	1/2002	Ishida et al.	400/625
D454,128	S	*	3/2002	Yamano et al.	D14/420
D458,262	S	*	6/2002	Huang et al.	D14/424
D464,970	S	*	10/2002	Fan	D14/425
6,462,937	B1	*	10/2002	Liao et al.	400/693

* cited by examiner

Primary Examiner—Cathy Anne MacCormac

(74) *Attorney, Agent, or Firm*—Oliff & Berridge, PLC

(57) **CLAIM**

The ornamental design for a printer with copying, scanning and facsimile functions, as shown and described.

DESCRIPTION

FIG. 1 is a rear perspective view of a printer with copying, scanning and facsimile functions with the lid in a closed position;

FIG. 2 is a top view thereof;

FIG. 3 is a rear view thereof with a paper feed tray removed; and

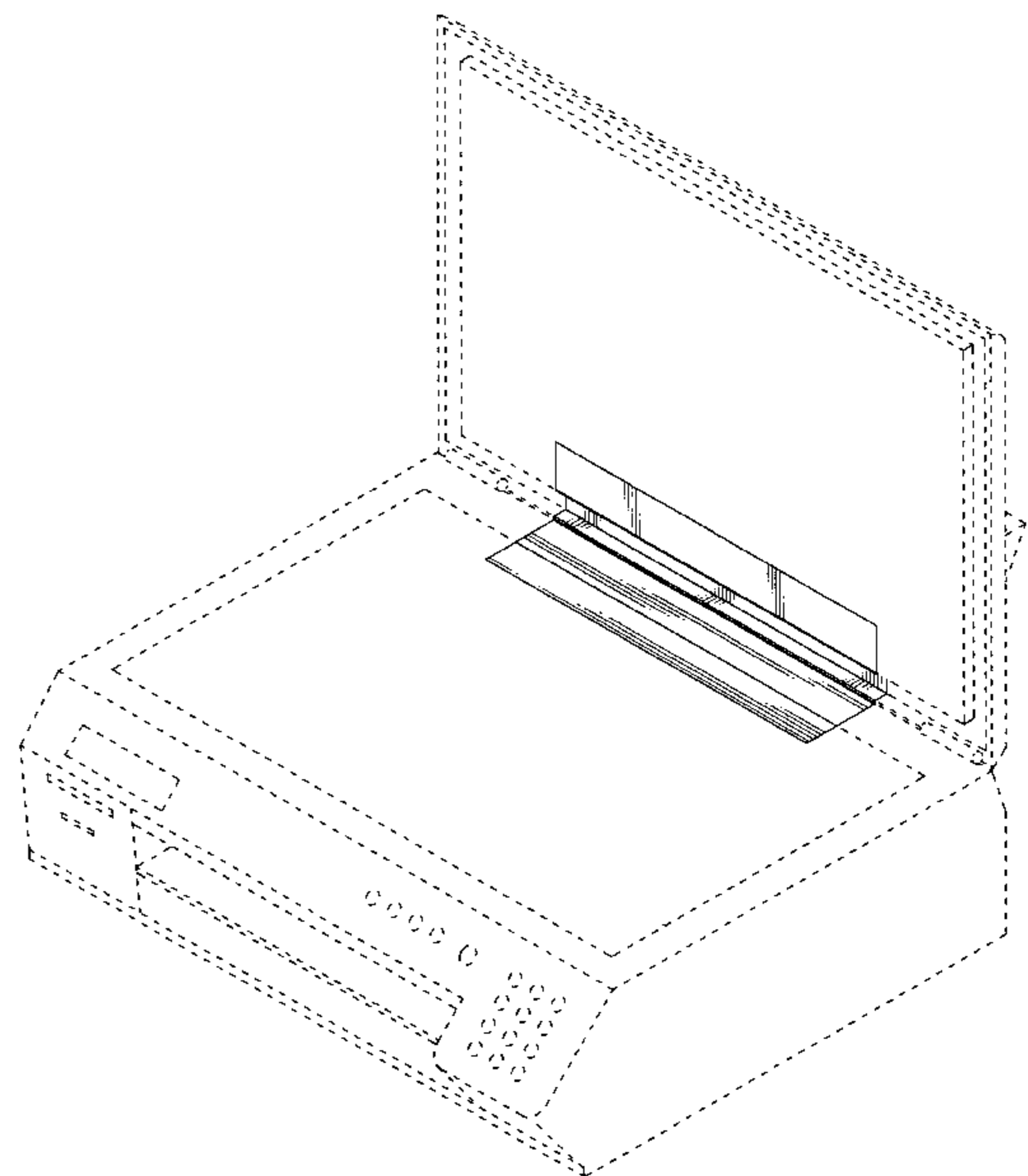
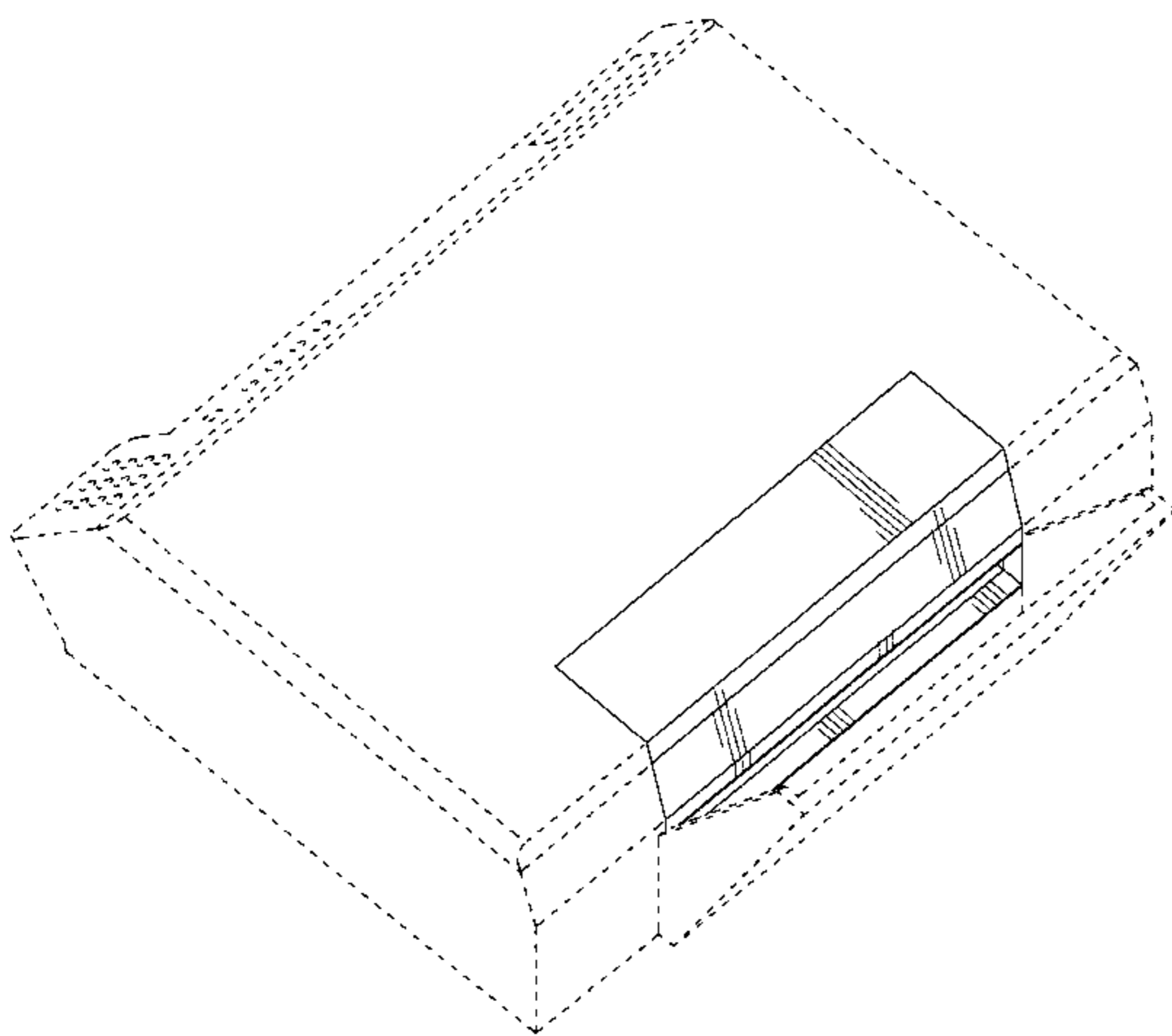
FIG. 4 is another rear perspective view thereof with the lid in an open position; and,

FIG. 5 is a front elevational view of FIG. 4.

The bottom, right, and left views contain no ornamentality and are omitted.

The broken lines are for purposes of illustration only and form no part of the claimed design.

1 Claim, 5 Drawing Sheets



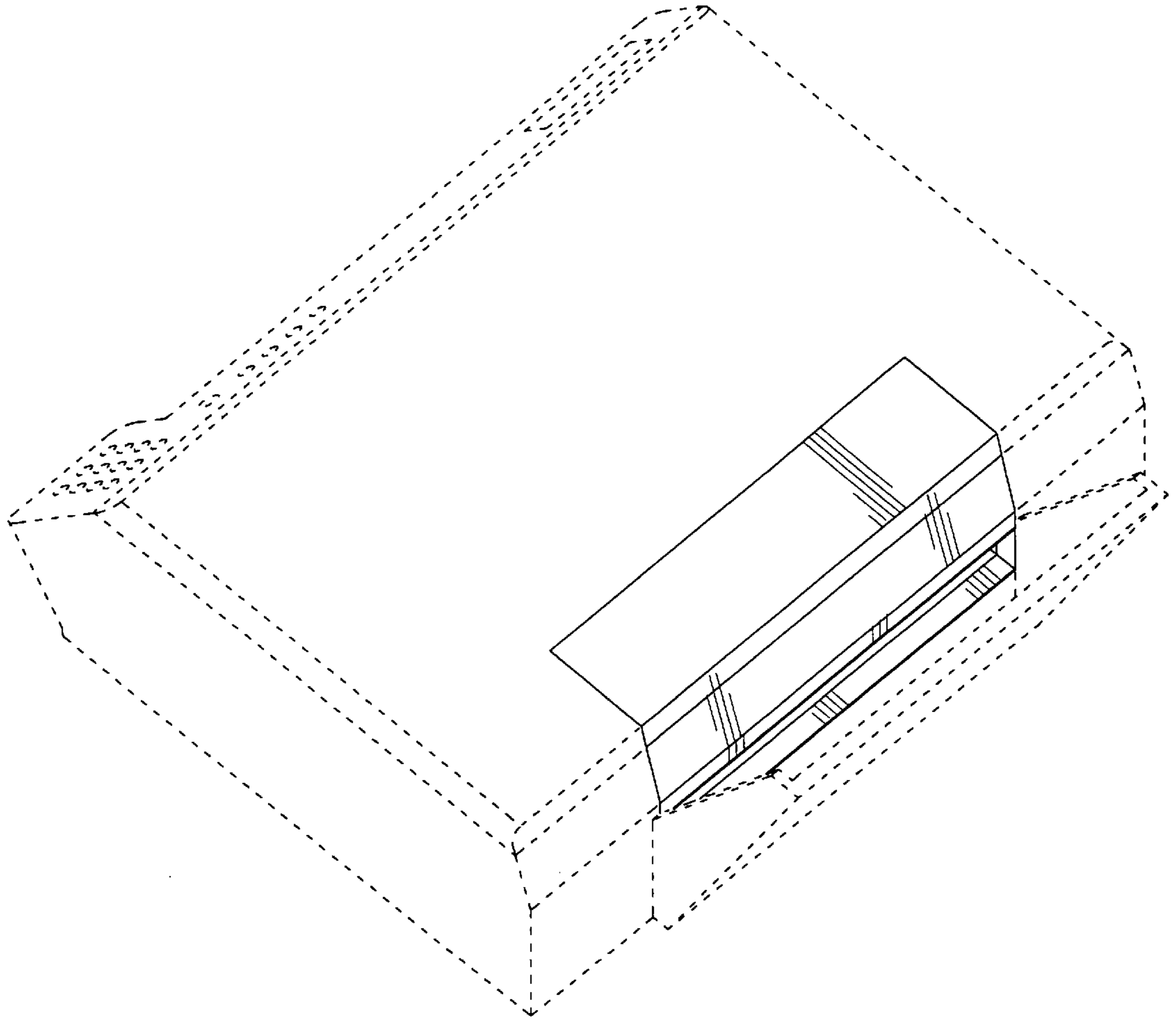


Fig. 1

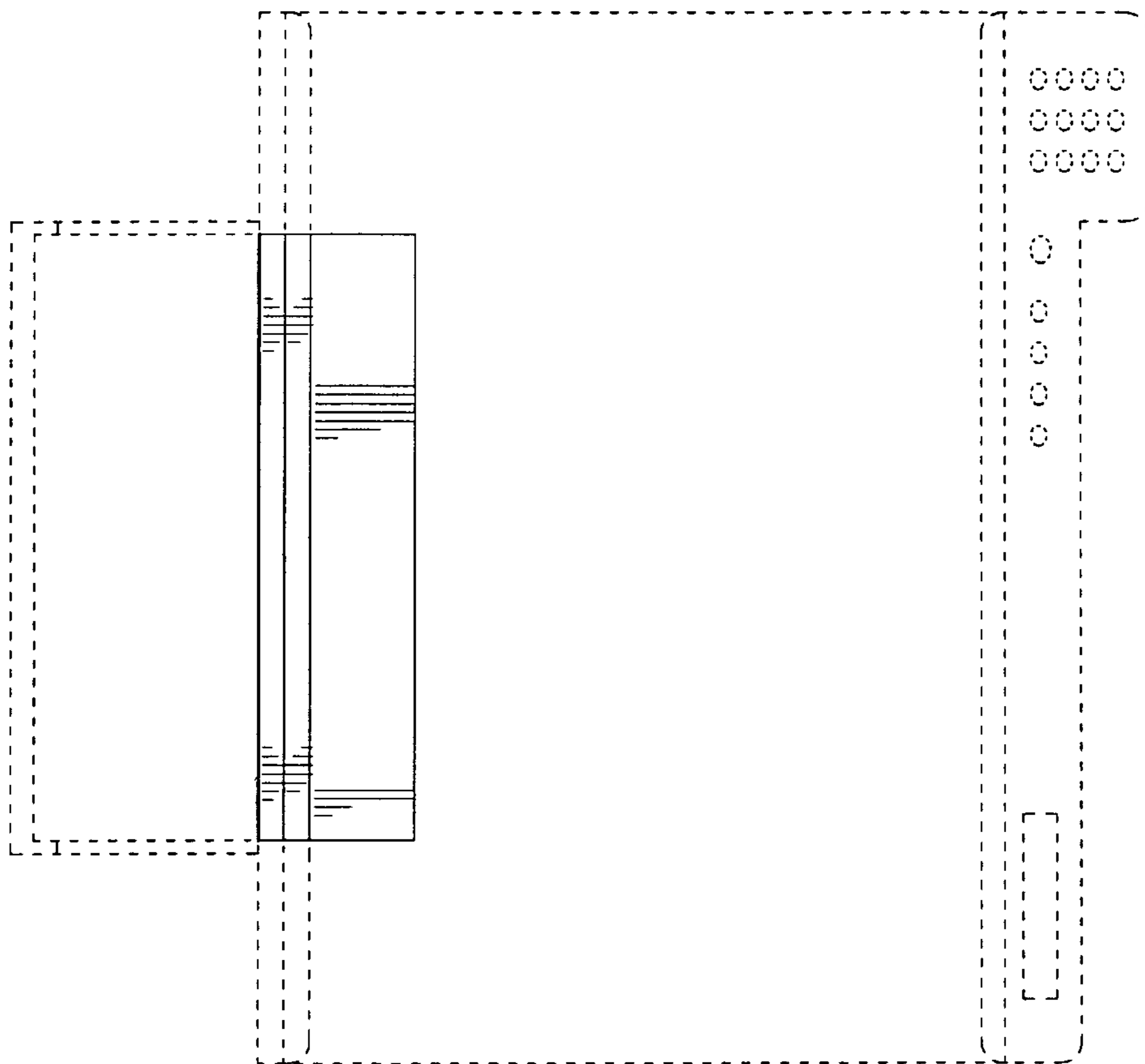


Fig. 2

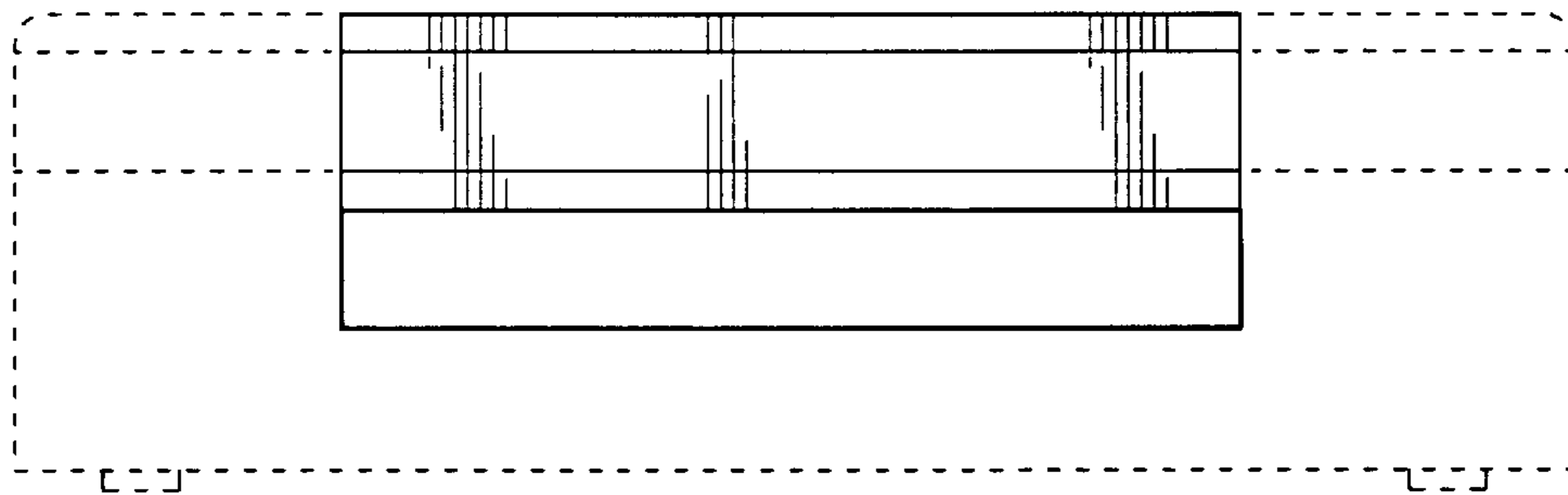


Fig. 3

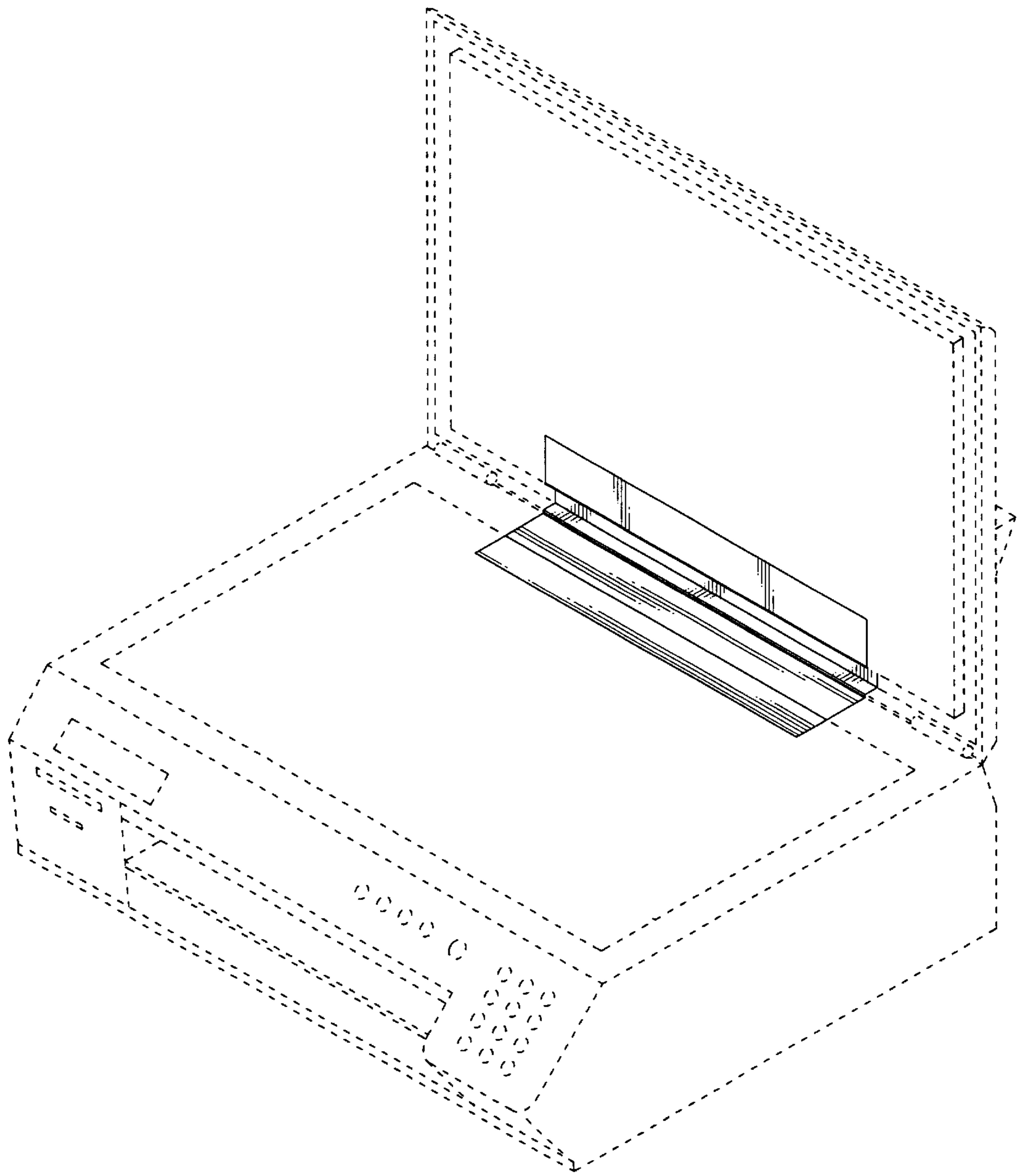


Fig. 4

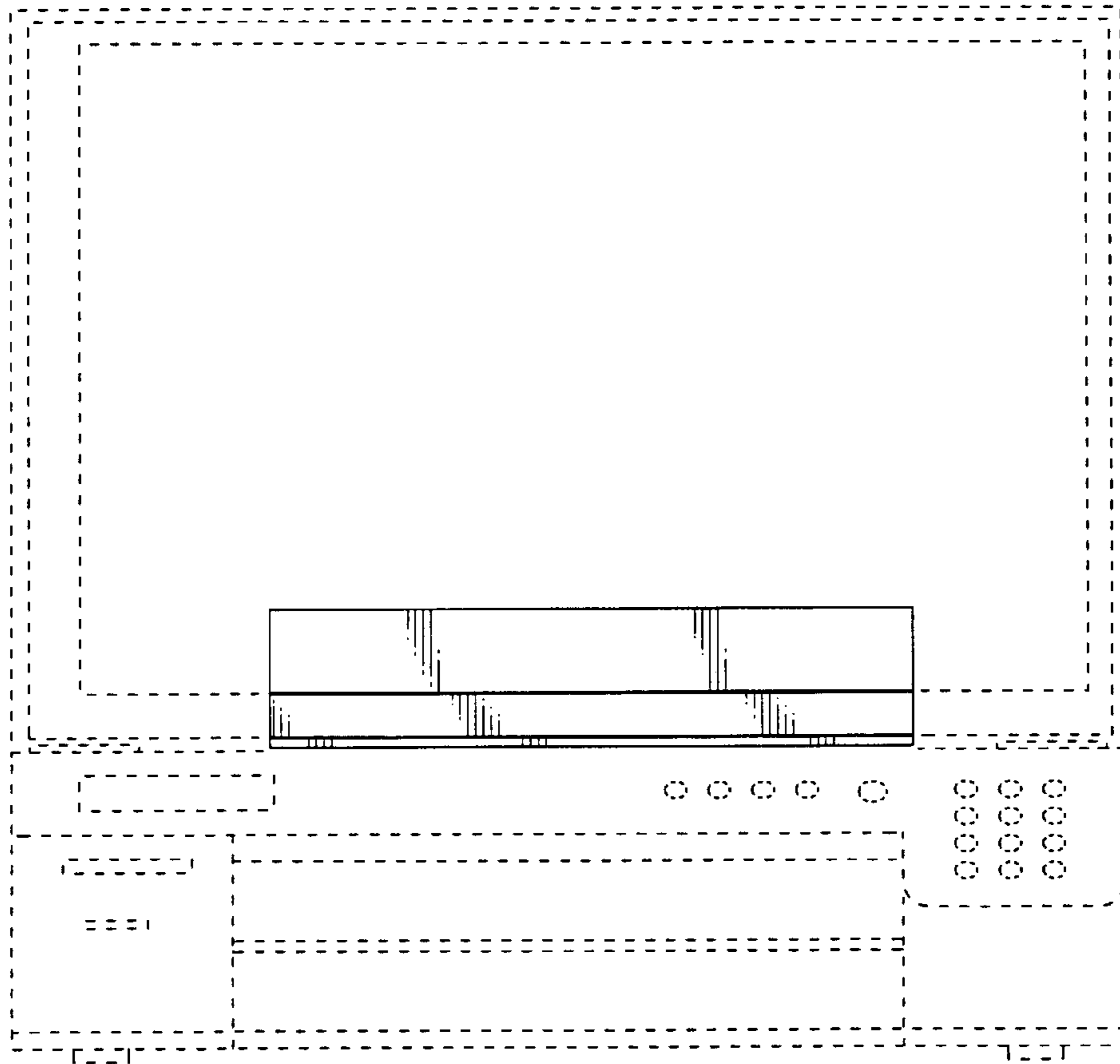


Fig. 5