



US00D484183S

(12) **United States Design Patent**  
**Hattori**

(10) **Patent No.:** **US D484,183 S**

(45) **Date of Patent:** **\*\* Dec. 23, 2003**

(54) **PRINTER WITH COPYING, SCANNING AND FACSIMILE FUNCTIONS WITH INK CARTRIDGE STORAGE COMPARTMENT**

(75) Inventor: **Mitsuharu Hattori, Nagoya (JP)**

(73) Assignee: **Brother Industries, Limited, Nagoya (JP)**

(\*\*) Term: **14 Years**

(21) Appl. No.: **29/163,442**

(22) Filed: **Jul. 8, 2002**

(30) **Foreign Application Priority Data**

Jan. 7, 2002 (JP) ..... 2002-000088

(51) **LOC (7) Cl.** ..... **14-02**

(52) **U.S. Cl.** ..... **D18/50**

(58) **Field of Search** ..... D14/420-430,  
D14/462-470; D18/19, 36-39, 50, 53, 54-55;  
400/613, 613.1-613.4, 691-694, 690.1-690.4,  
625

(56) **References Cited**

**U.S. PATENT DOCUMENTS**

4,689,693	A	*	8/1987	Watanabe	.....	D14/425
D326,278	S	*	5/1992	Grosse	.....	D18/54
D332,258	S	*	1/1993	Urushihara et al.	.....	D14/464
5,297,018	A	*	3/1994	Kashimura	.....	400/693
D353,154	S	*	12/1994	Suzuki	.....	D18/50
5,454,555	A	*	10/1995	Kiyohara et al.	.....	400/625
D372,935	S	*	8/1996	Quijano et al.	.....	D18/36
D374,888	S	*	10/1996	Udagawa	.....	D18/50
5,816,723	A	*	10/1998	Takahashi et al.	.....	400/625
D443,638	S	*	6/2001	Kobayashi et al.	.....	D18/54
D448,403	S	*	9/2001	Omuro et al.	.....	D18/50

6,307,736	B1	*	10/2001	Song et al.	.....	400/693
6,336,758	B1	*	1/2002	Ishida et al.	.....	400/625
D454,128	S	*	3/2002	Yamano et al.	.....	D14/420
D458,262	S	*	6/2002	Huang et al.	.....	D14/424
D464,970	S	*	10/2002	Fan	.....	D14/425
6,462,937	B1	*	10/2002	Liao et al.	.....	400/693

\* cited by examiner

*Primary Examiner*—Cathy Anne MacCormac

(74) *Attorney, Agent, or Firm*—Oliff & Berridge, PLC

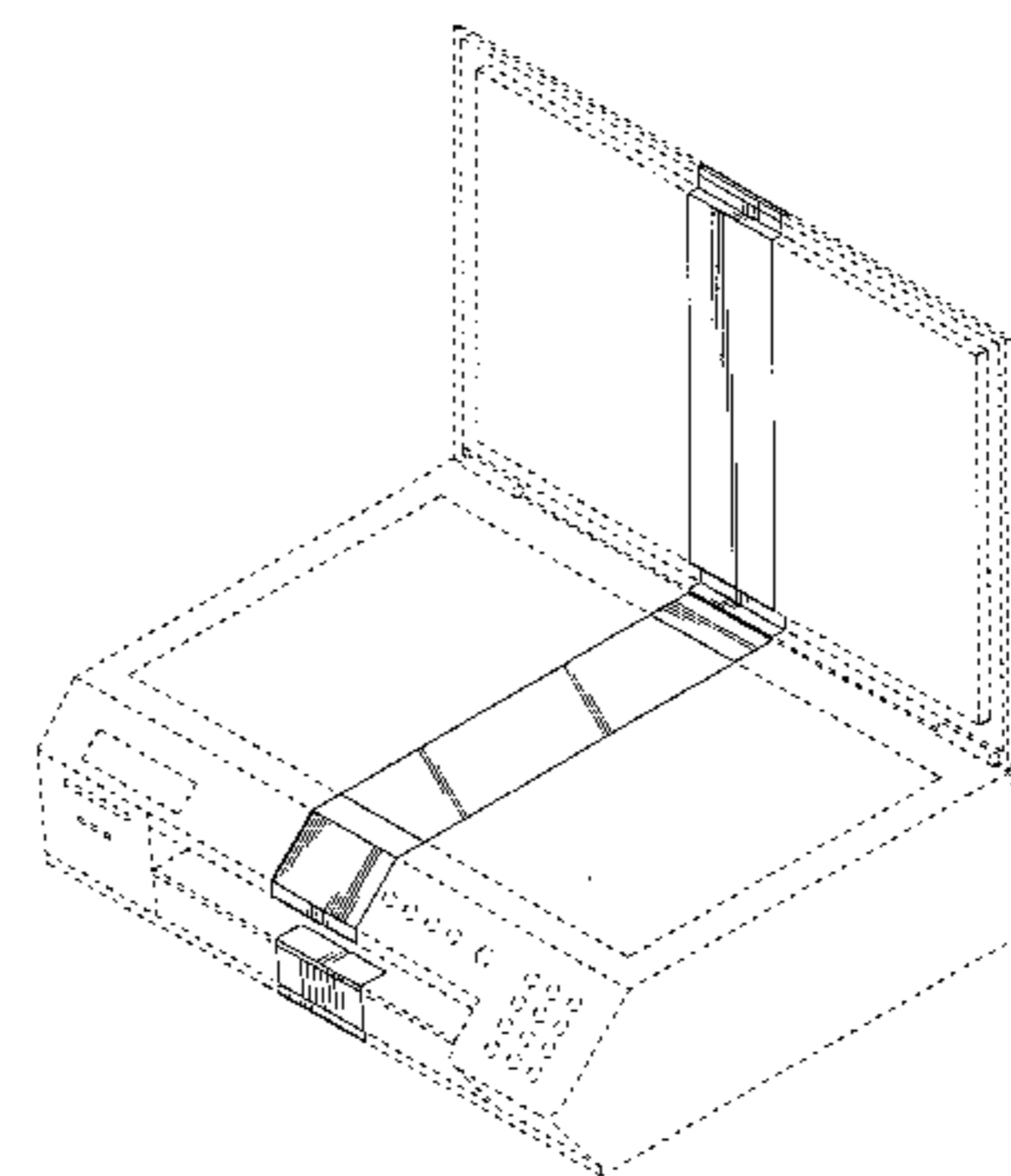
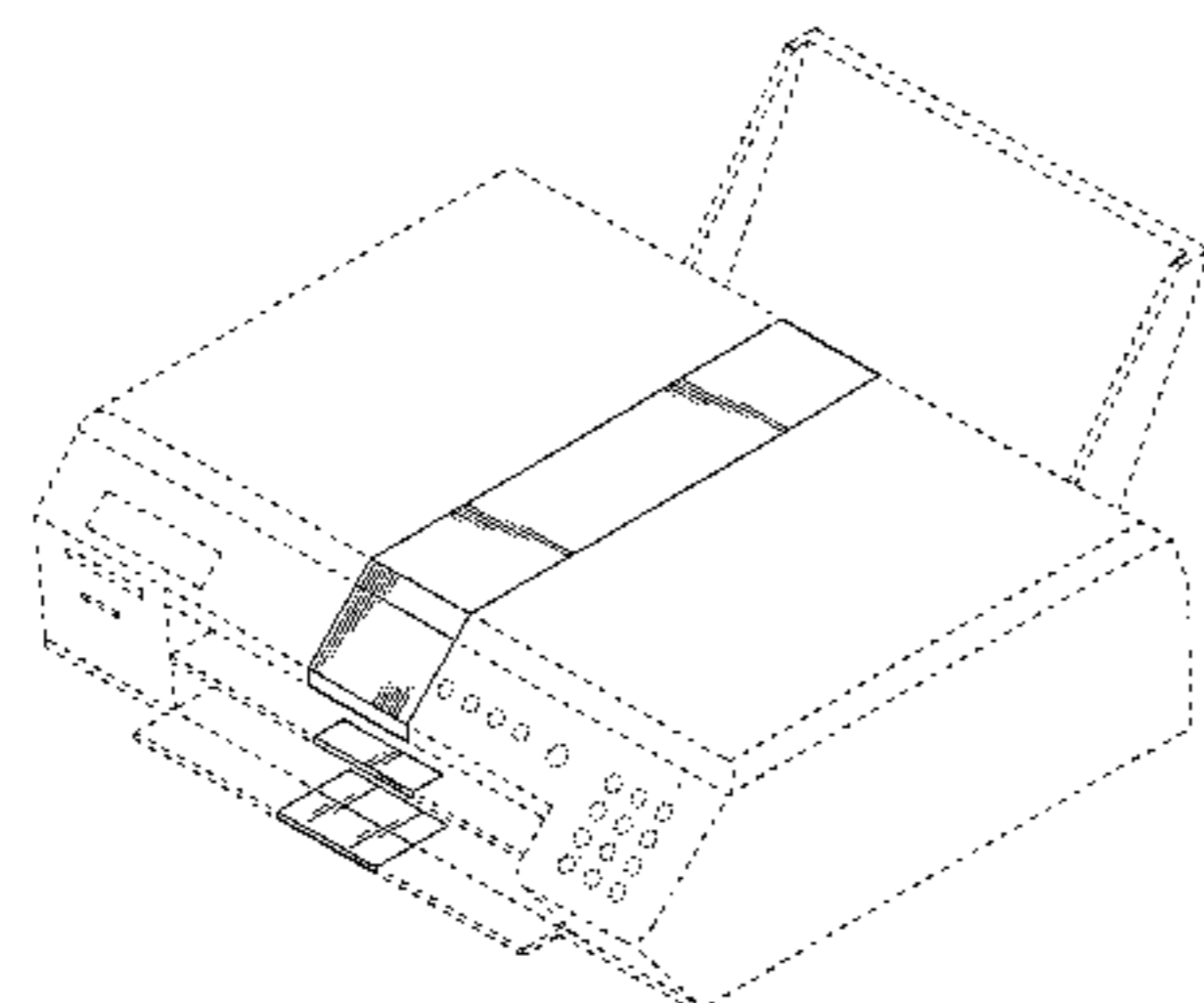
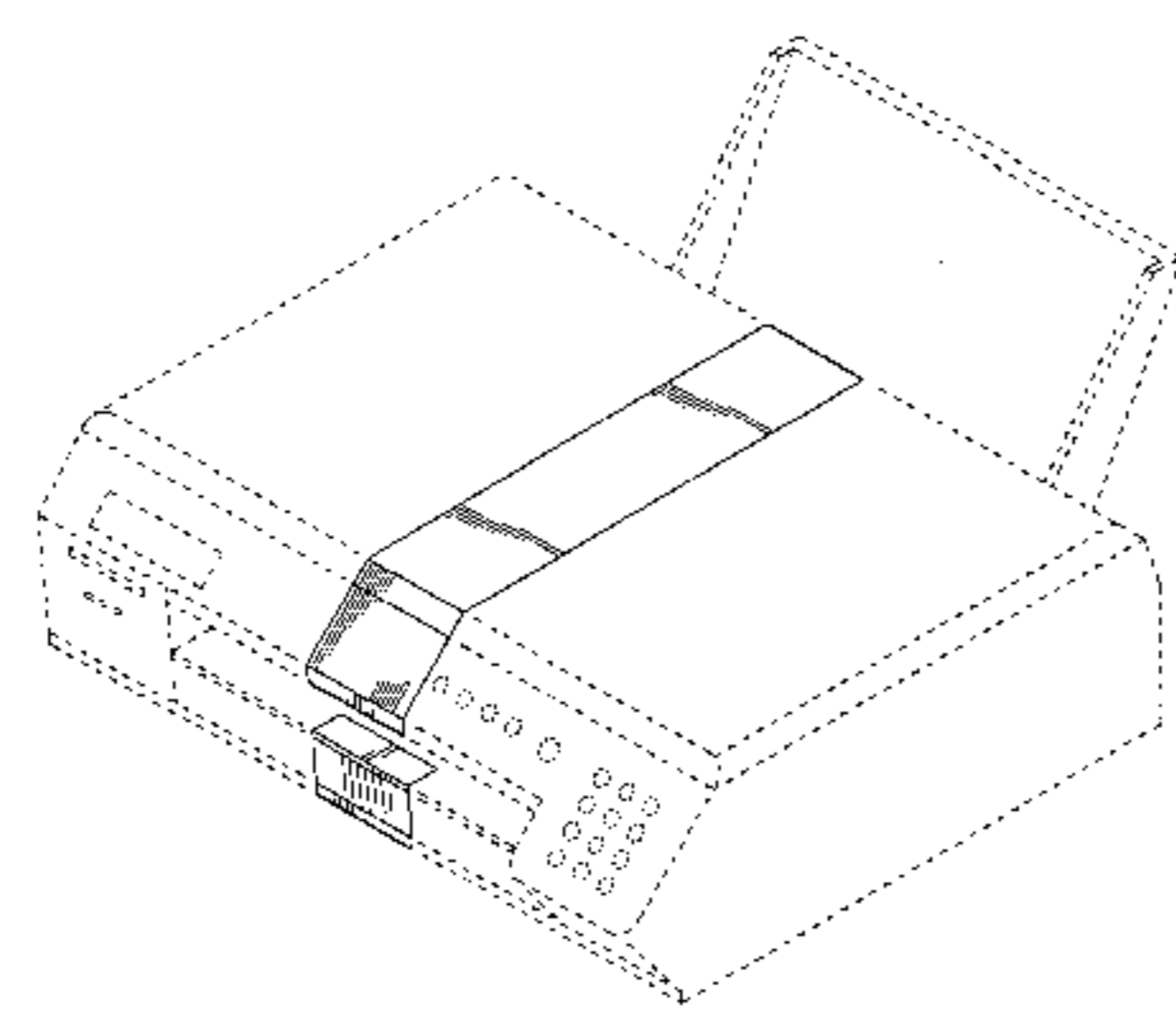
(57) **CLAIM**

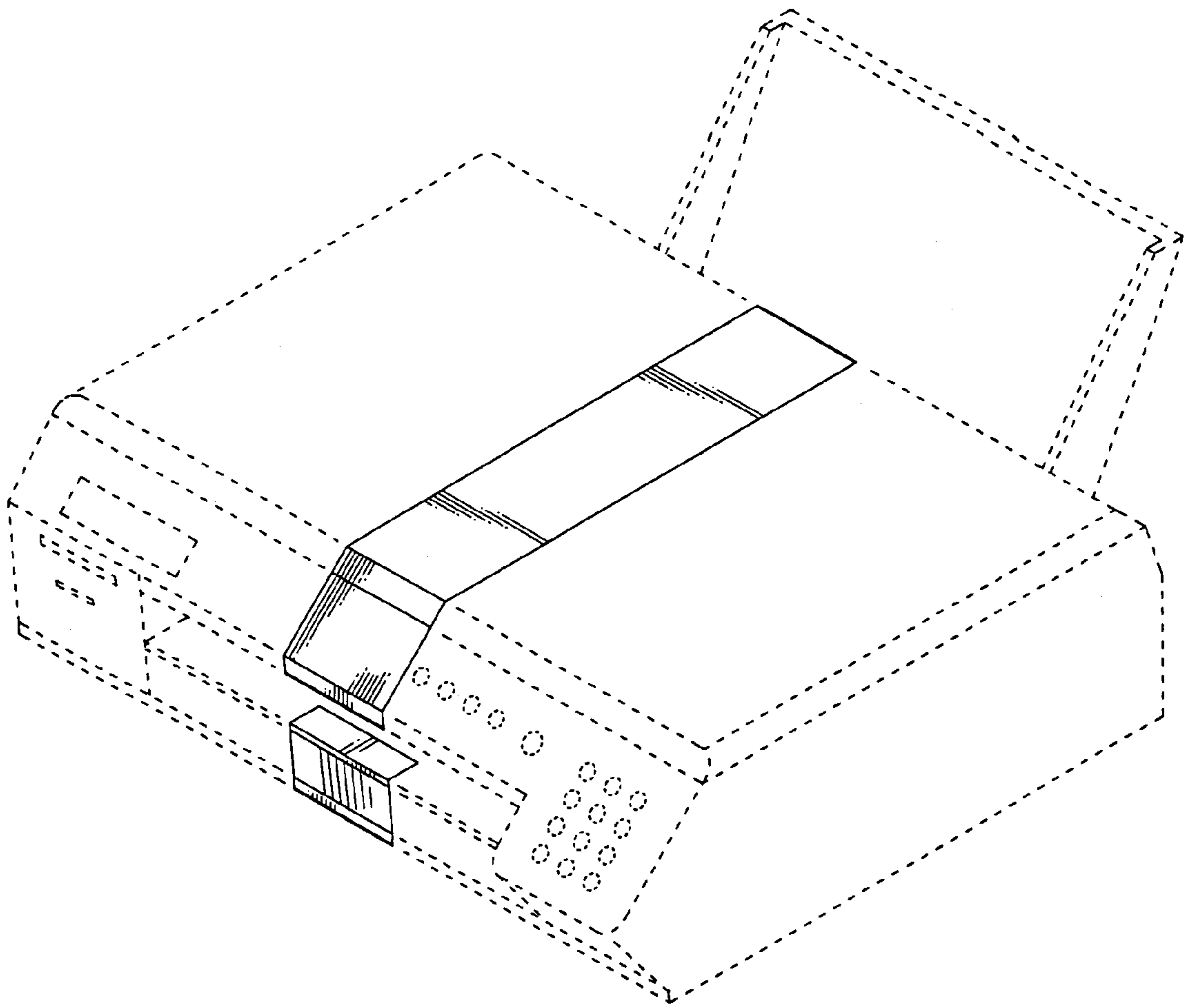
The ornamental design for a printer with copying, scanning and facsimile functions with ink cartridge storage compartment, as shown and described.

**DESCRIPTION**

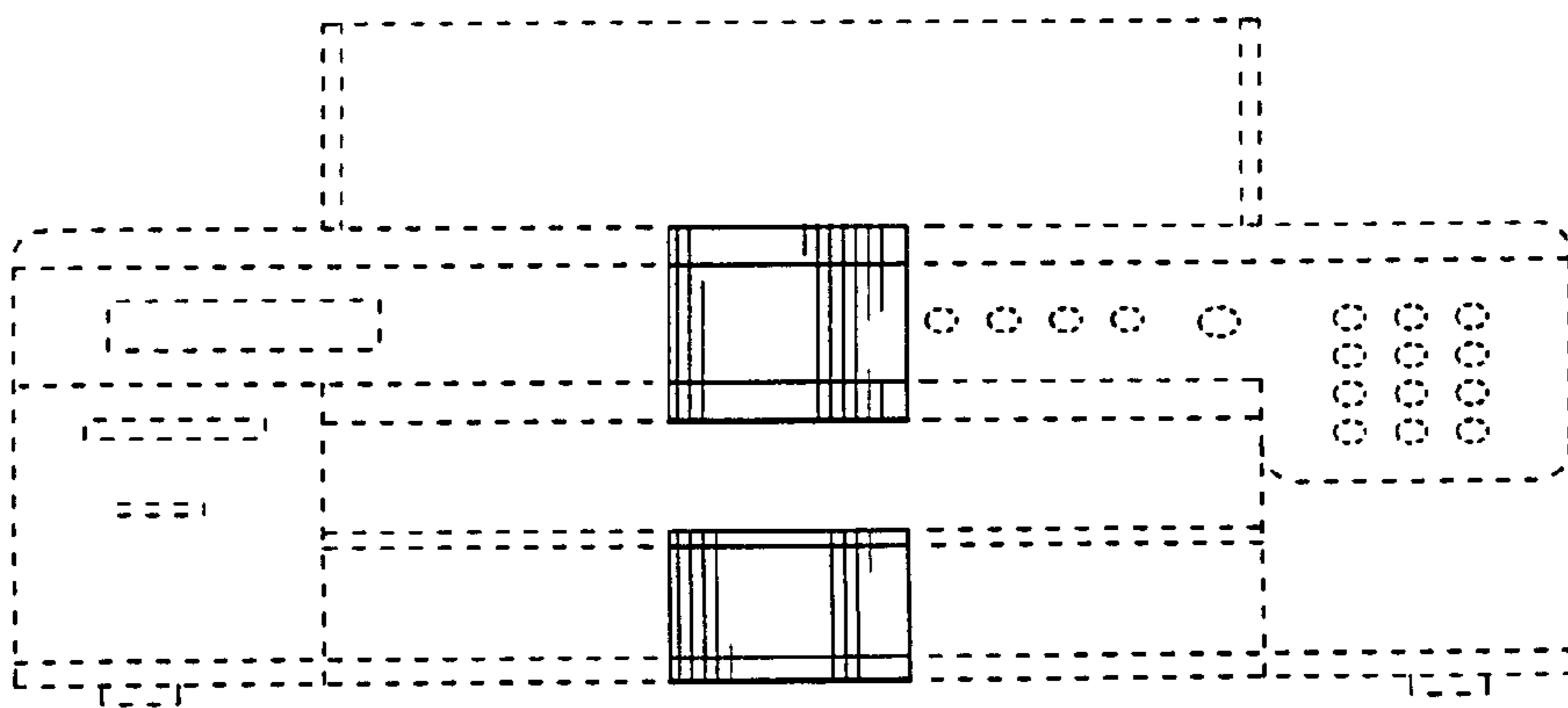
FIG. 1 is a perspective view of a printer with copying, scanning and facsimile functions with ink cartridge storage compartment with the lid of the printer in a closed position; FIG. 2 is a front view thereof; FIG. 3 is a top view thereof; FIG. 4 is a bottom view thereof; FIG. 5 is a rear perspective view thereof; FIG. 6 is a rear view thereof with the paper feed tray removed; FIG. 7 is another perspective view thereof with the lid of the ink cartridge storing portion in an open position; FIG. 8 is a perspective view with the lid of the printer in an open position; and, FIG. 9 is a front elevational view of FIG. 8. The left and right views contain no ornamentality and are omitted. The broken lines are for illustrative purposes only and form no part of the claimed design.

**1 Claim, 8 Drawing Sheets**

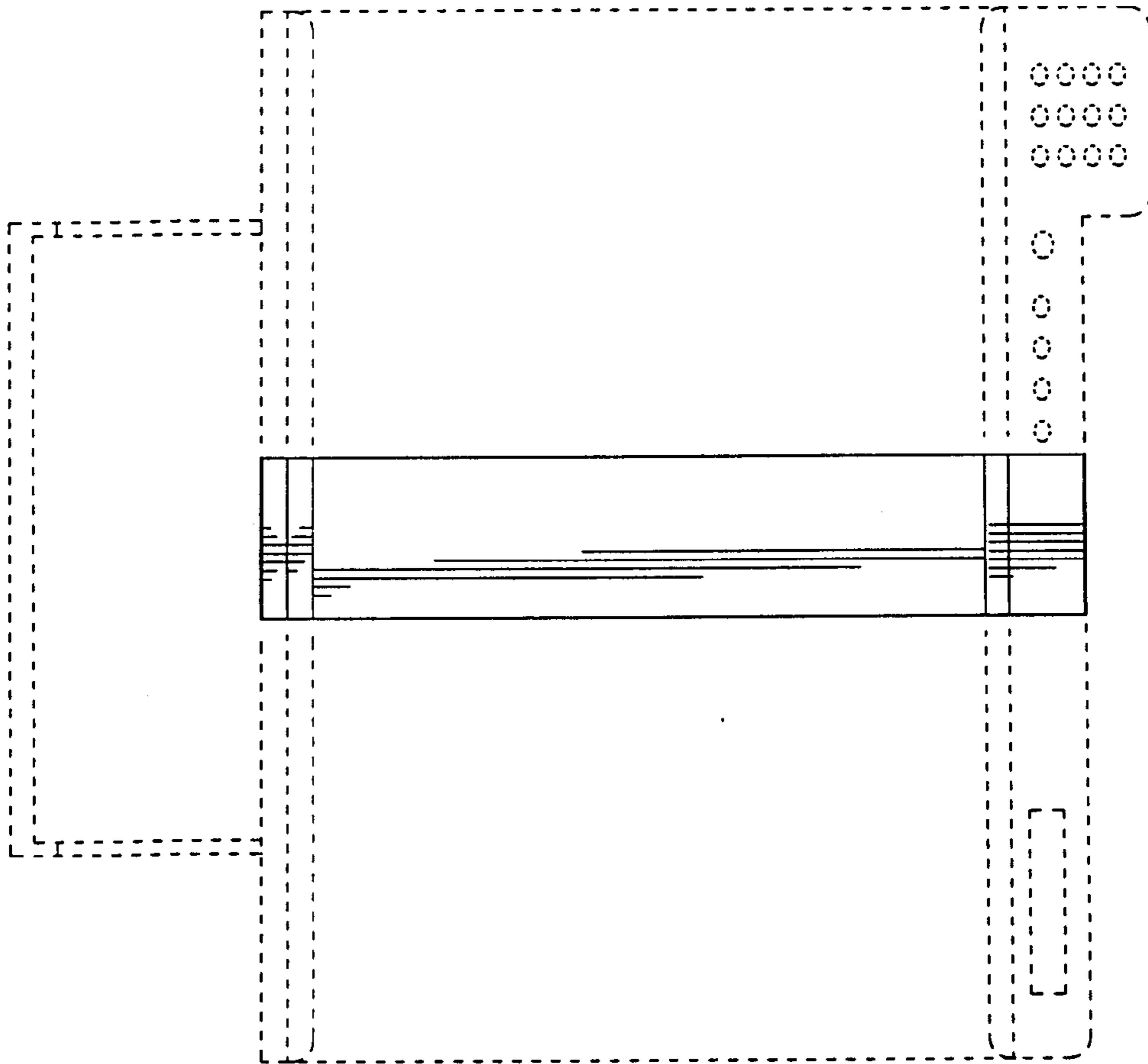




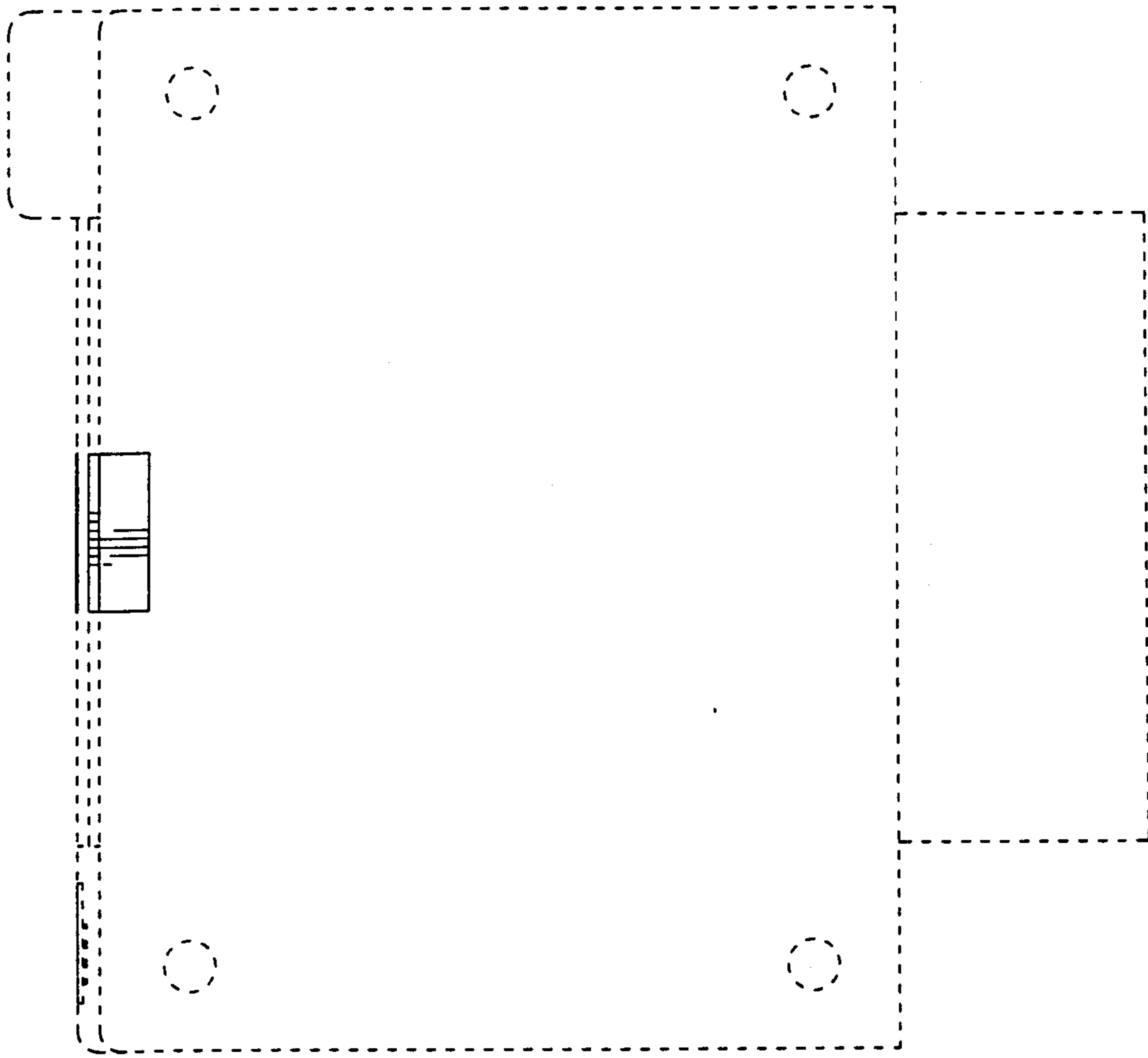
**Fig. 1**



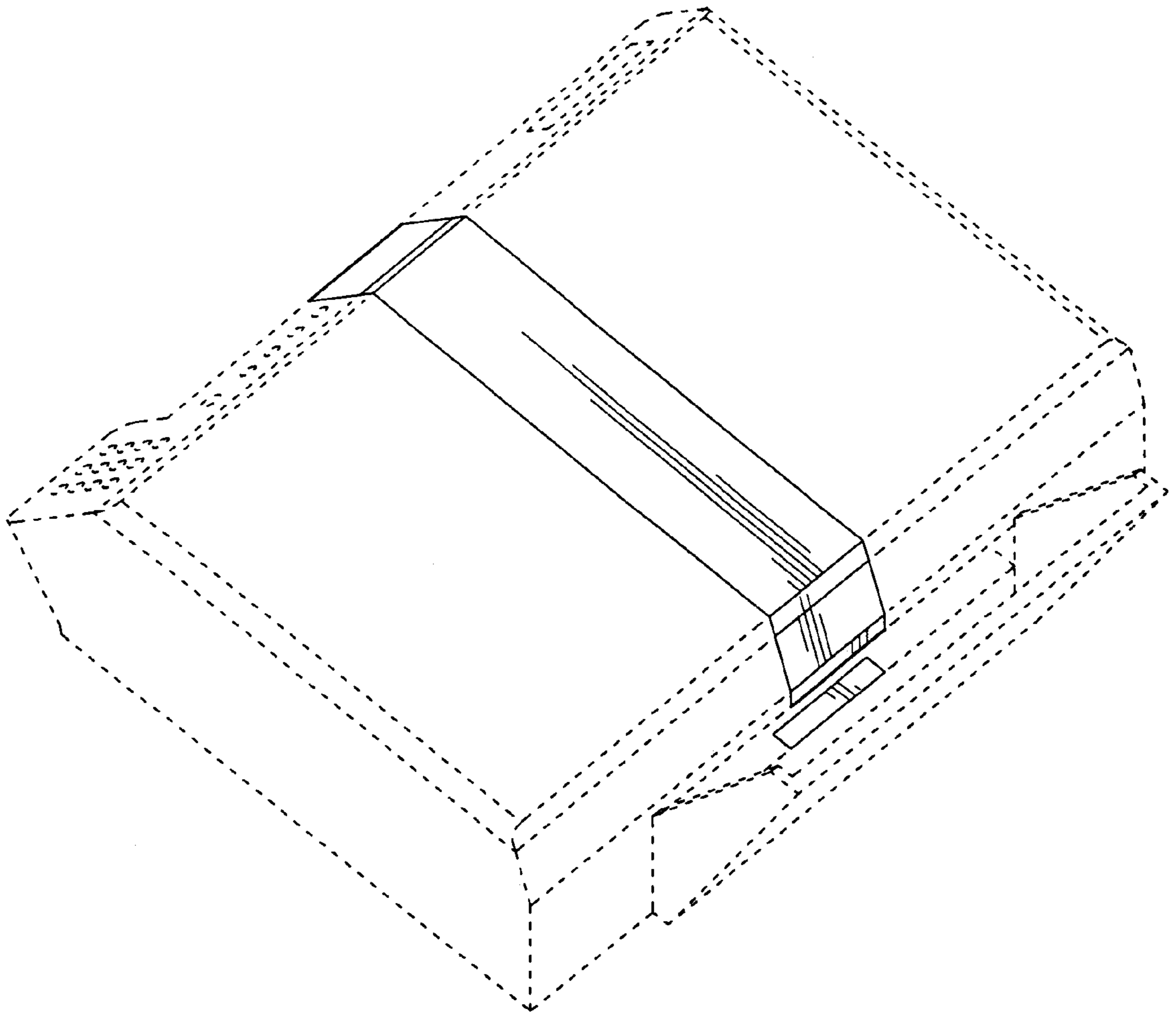
**Fig. 2**



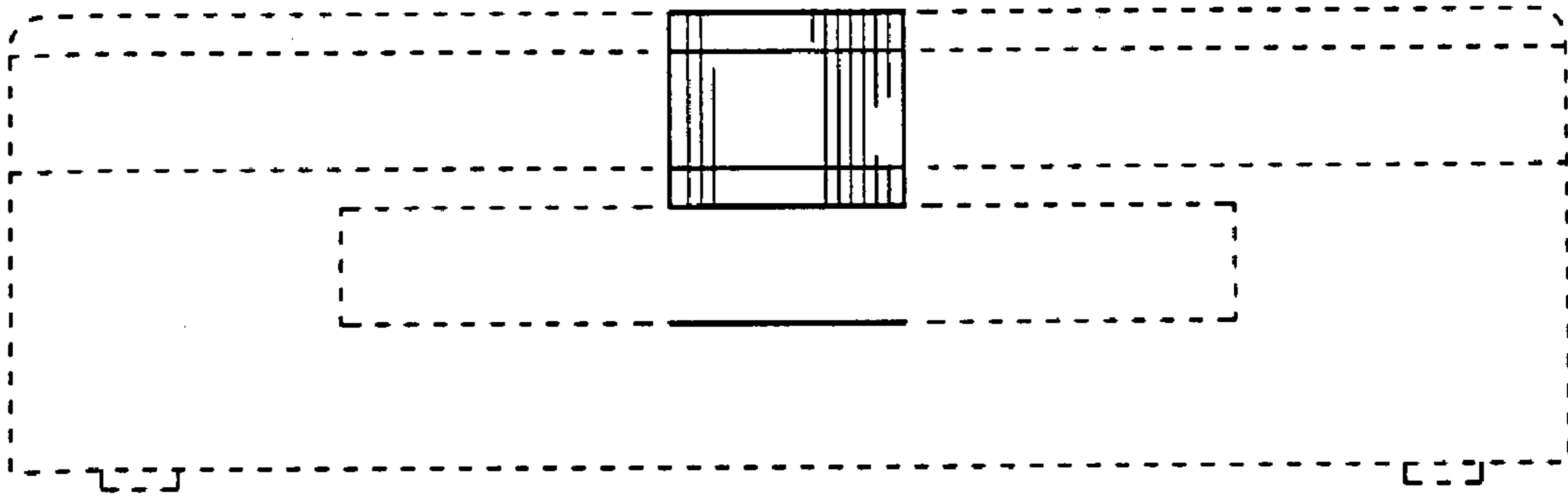
**Fig. 3**



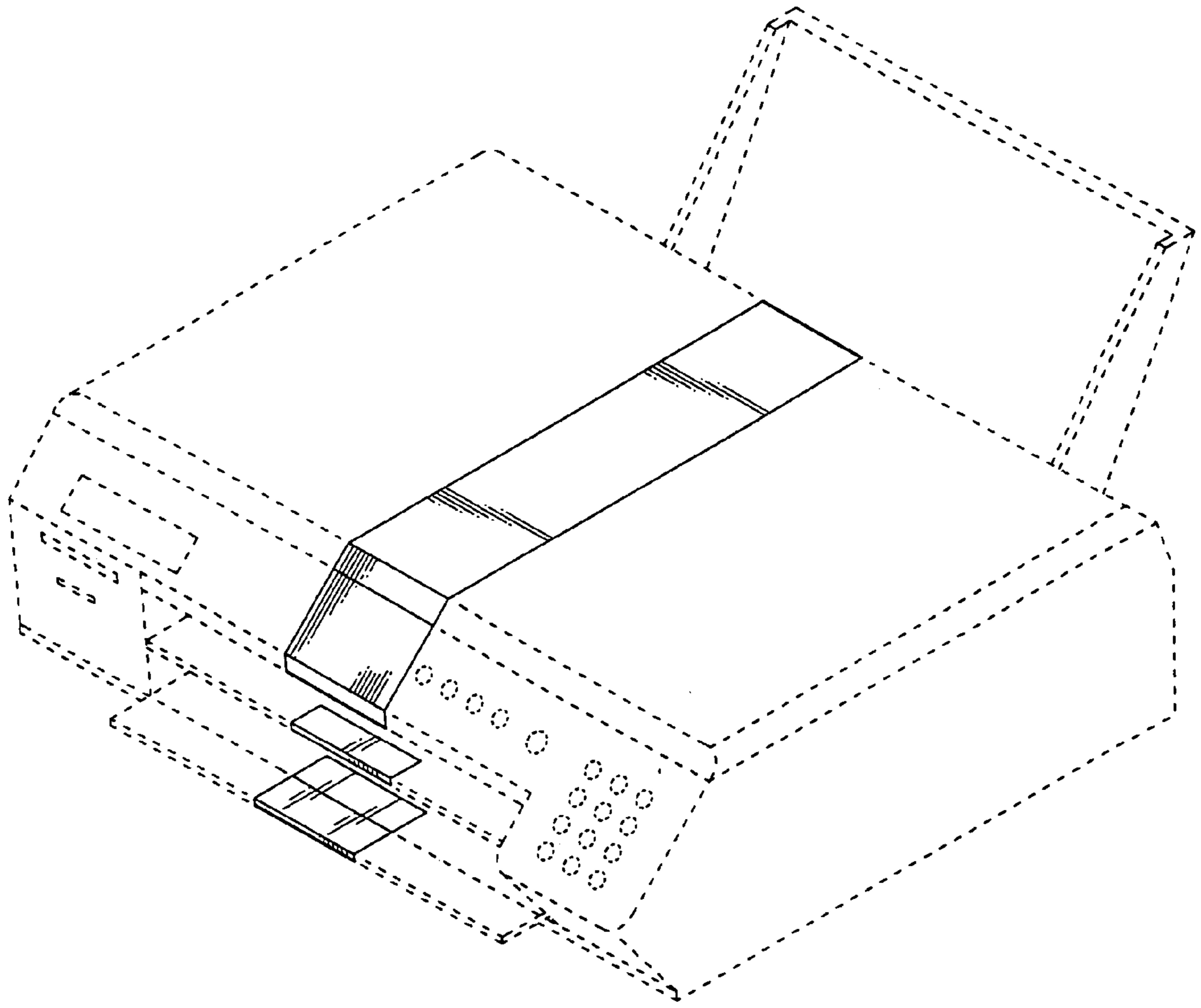
*Fig. 4*



**Fig. 5**

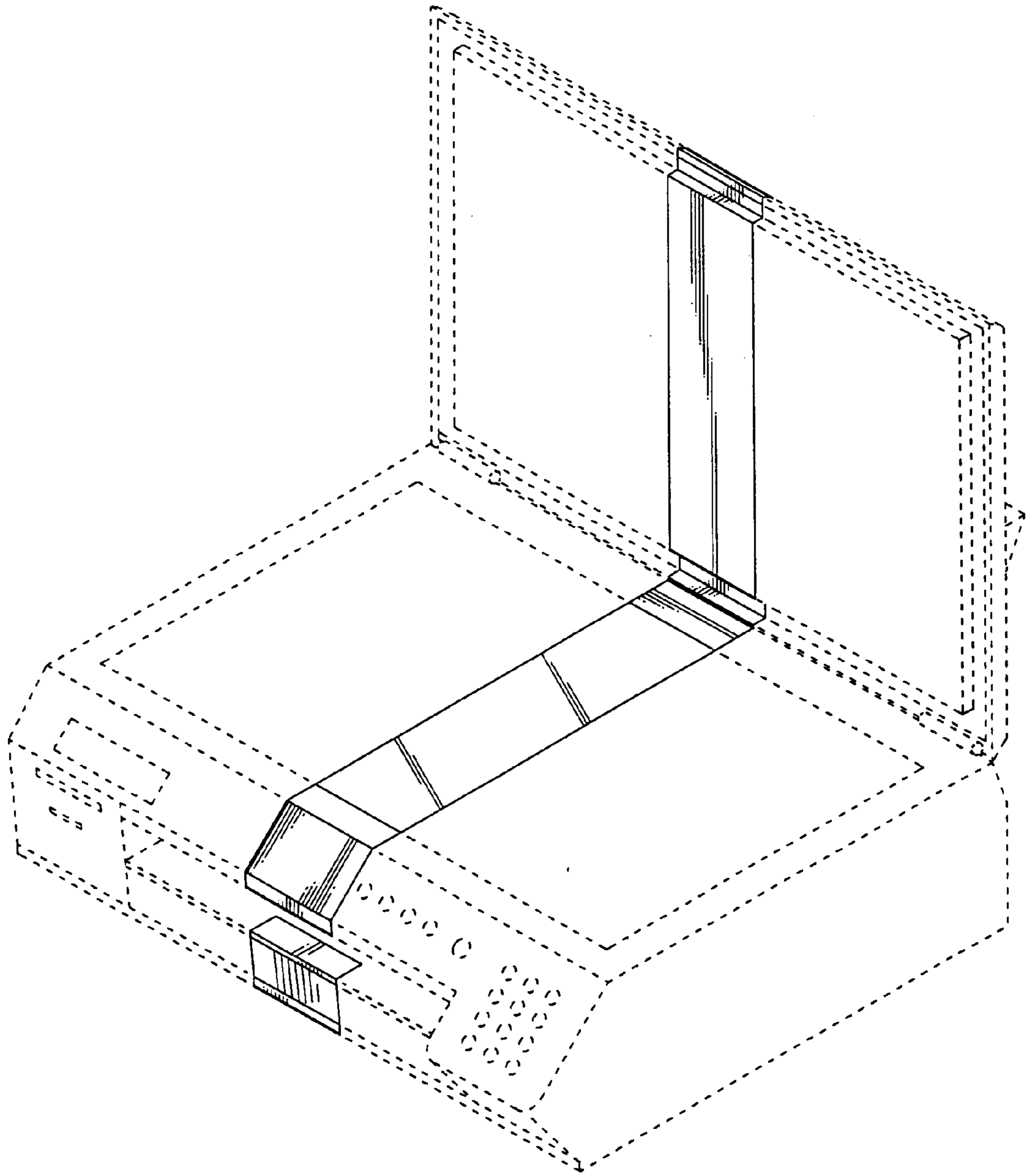


***Fig. 6***



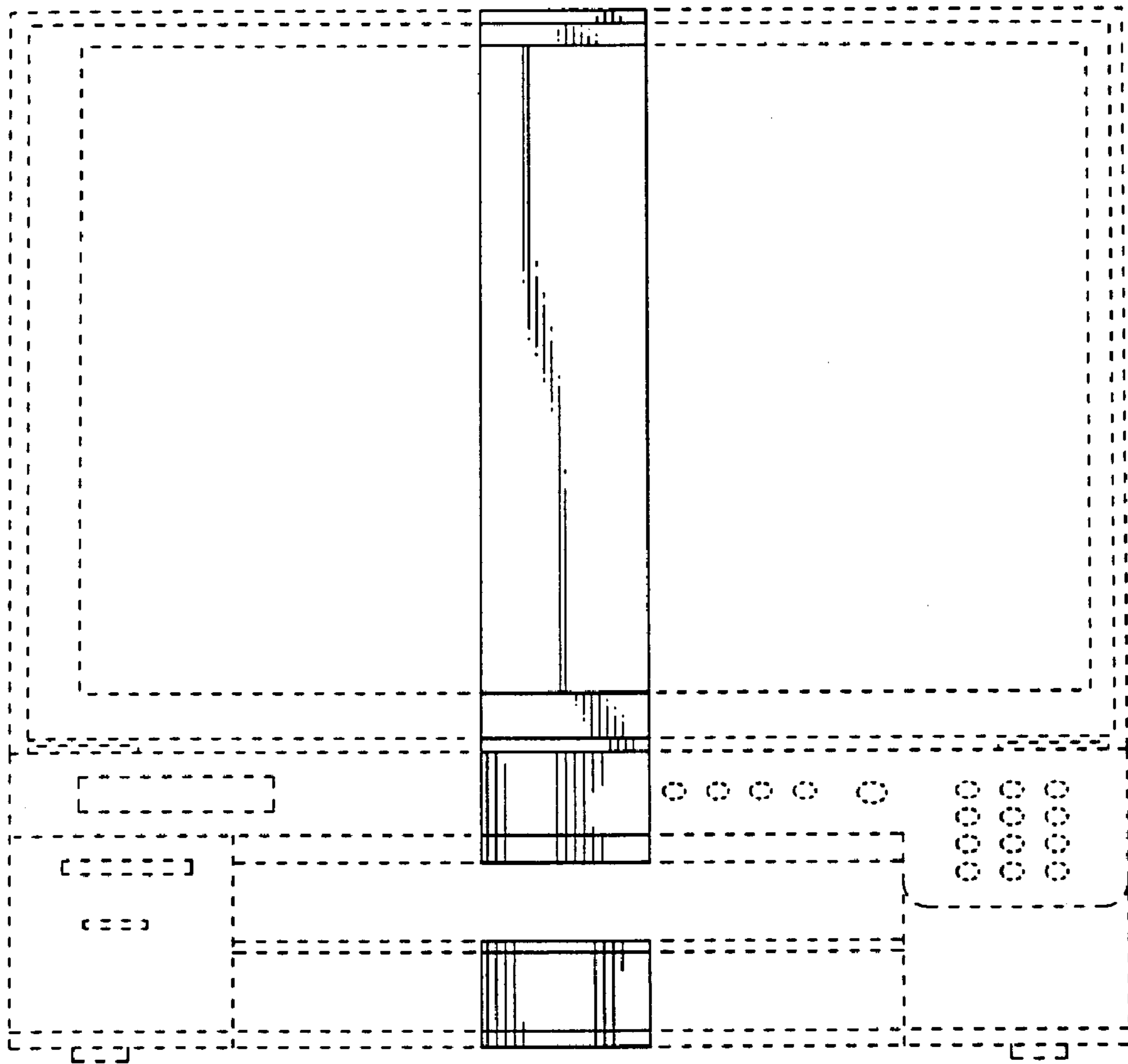
**Fig. 7**





**Fig. 8**





**Fig. 9**