



US00D484178S

(12) **United States Design Patent**
Penke et al.

(10) **Patent No.: US D484,178 S**
(45) **Date of Patent: ** Dec. 23, 2003**

(54) **PORTION OF AN OPERATING-POSITION VIEWABLE PANEL FOR AN OFFICE MACHINE**

(75) Inventors: **Mark S. Penke**, West Henrietta, NY (US); **Kenneth J. Rieck**, Victor, NY (US); **William Theodore Clark, III**, Pittsford, NY (US); **Donald A. Brown**, Honeoye Falls, NY (US); **David M. Parsons**, Victor, NY (US)

(73) Assignee: **Xerox Corporation**, Stamford, CT (US)

(**) Term: **14 Years**

(21) Appl. No.: **29/176,148**

(22) Filed: **Feb. 14, 2003**

(51) **LOC (7) Cl.** **16-03**

(52) **U.S. Cl.** **D18/40; D18/56**

(58) **Field of Search** D18/36-49, 50-56; D14/462-471, 217, 257; 355/18, 19, 78, 97; 399/1-7, 75, 81, 107, 151, 381-393, 405, 411

(56) **References Cited**

U.S. PATENT DOCUMENTS

D352,057 S * 11/1994 Tashiro D18/50

D364,639 S * 11/1995 Tashiro D18/50
D370,496 S * 6/1996 Inoue et al. D18/50
D399,250 S * 10/1998 Kawai D18/55
D415,520 S * 10/1999 Suzuki et al. D18/55
D432,161 S * 10/2000 Takeuchi D18/39
D434,067 S * 11/2000 Chen D18/36

* cited by examiner

Primary Examiner—Caron D. Veynar
(74) *Attorney, Agent, or Firm*—Tallam Nguti

(57) **CLAIM**

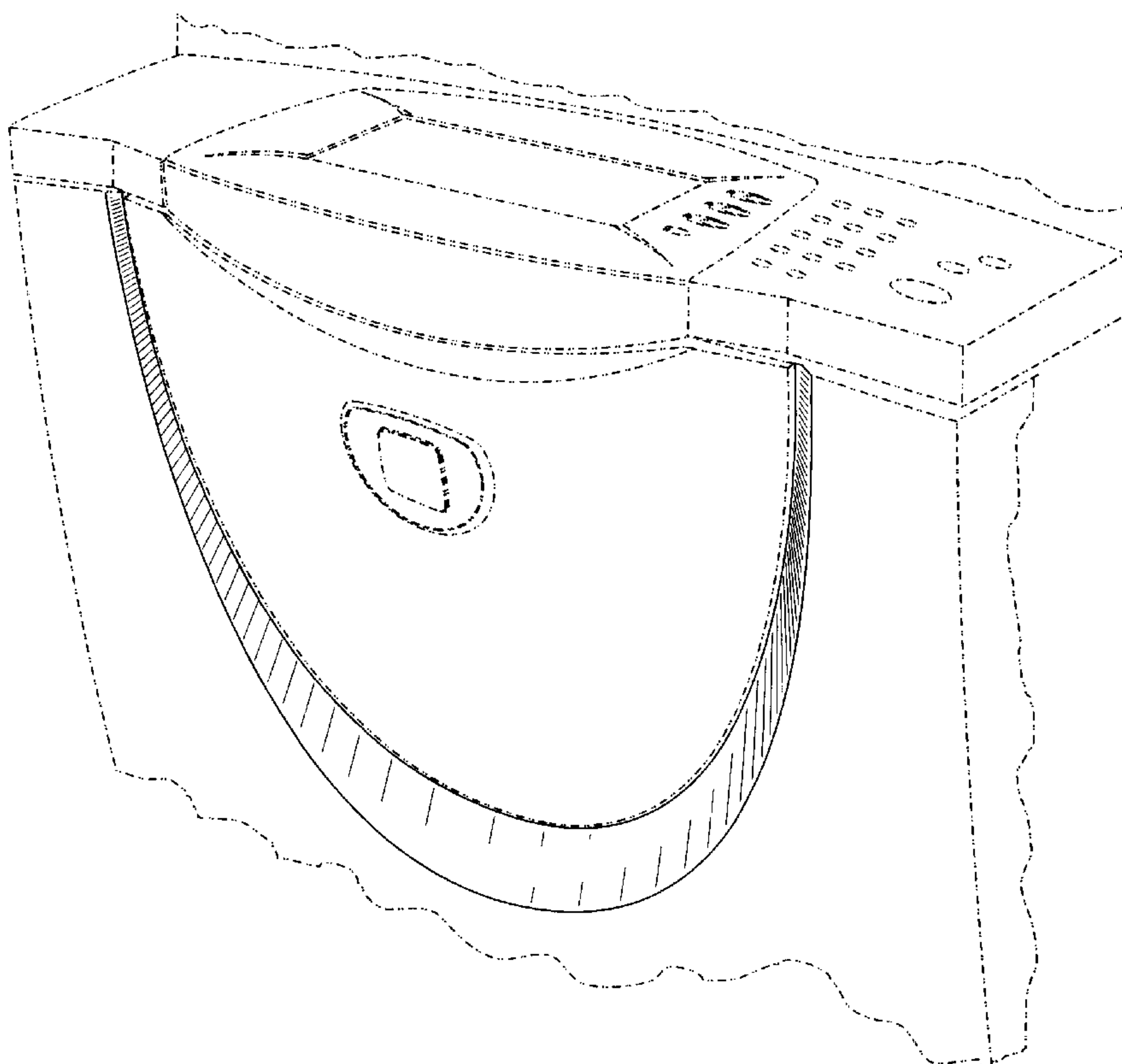
The ornamental design for a portion of an operating-position viewable panel for an office machine, as shown and described.

DESCRIPTION

FIG. 1 is a perspective view of a portion of an operating-position viewable panel for an office machine showing the design of the present invention; and, FIG. 2 is a front view thereof.

The broken lines showing in FIGS. 1-2 are for illustrative purposes only and do not form part of the claimed design.

1 Claim, 2 Drawing Sheets



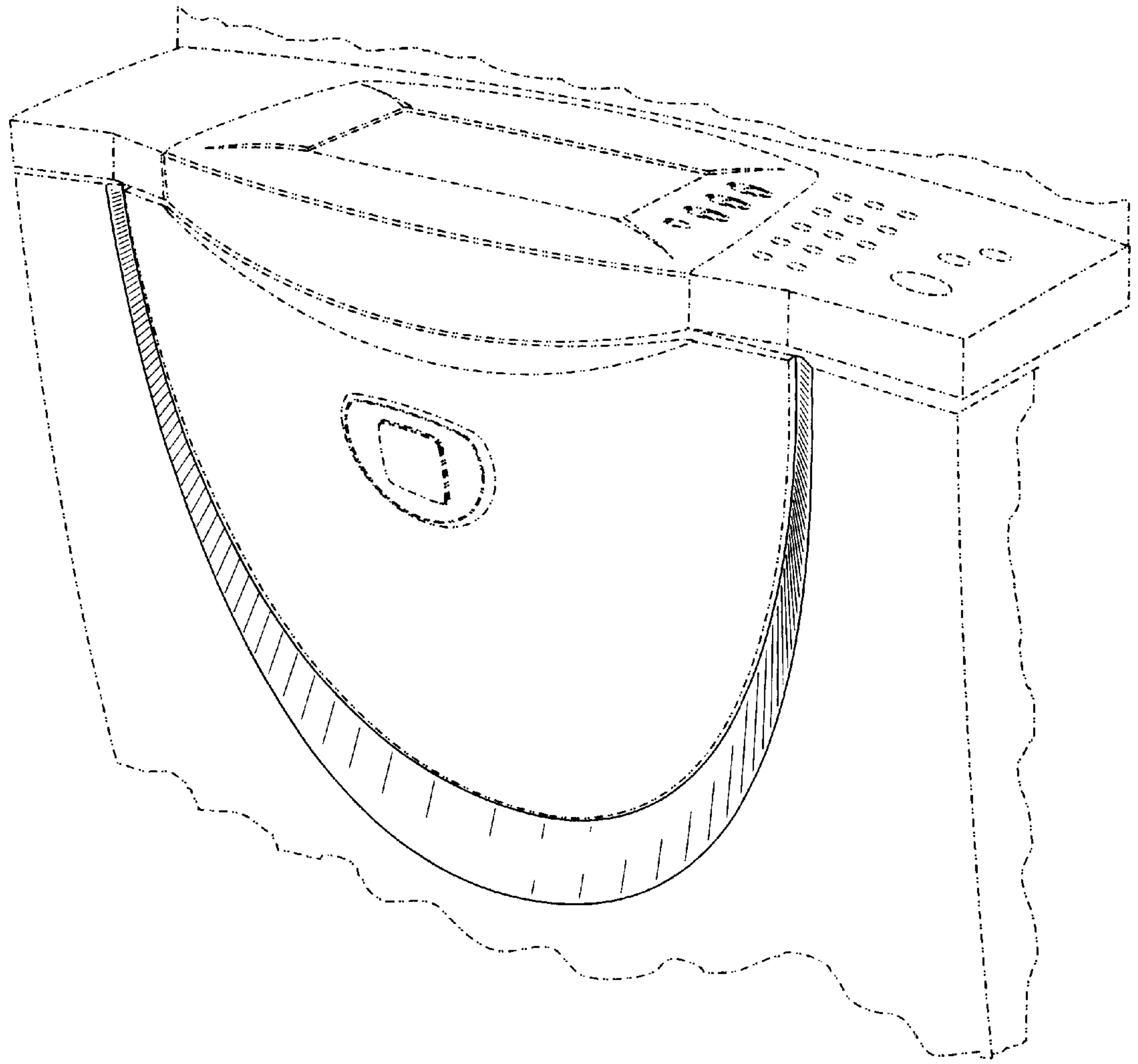


FIG. 1

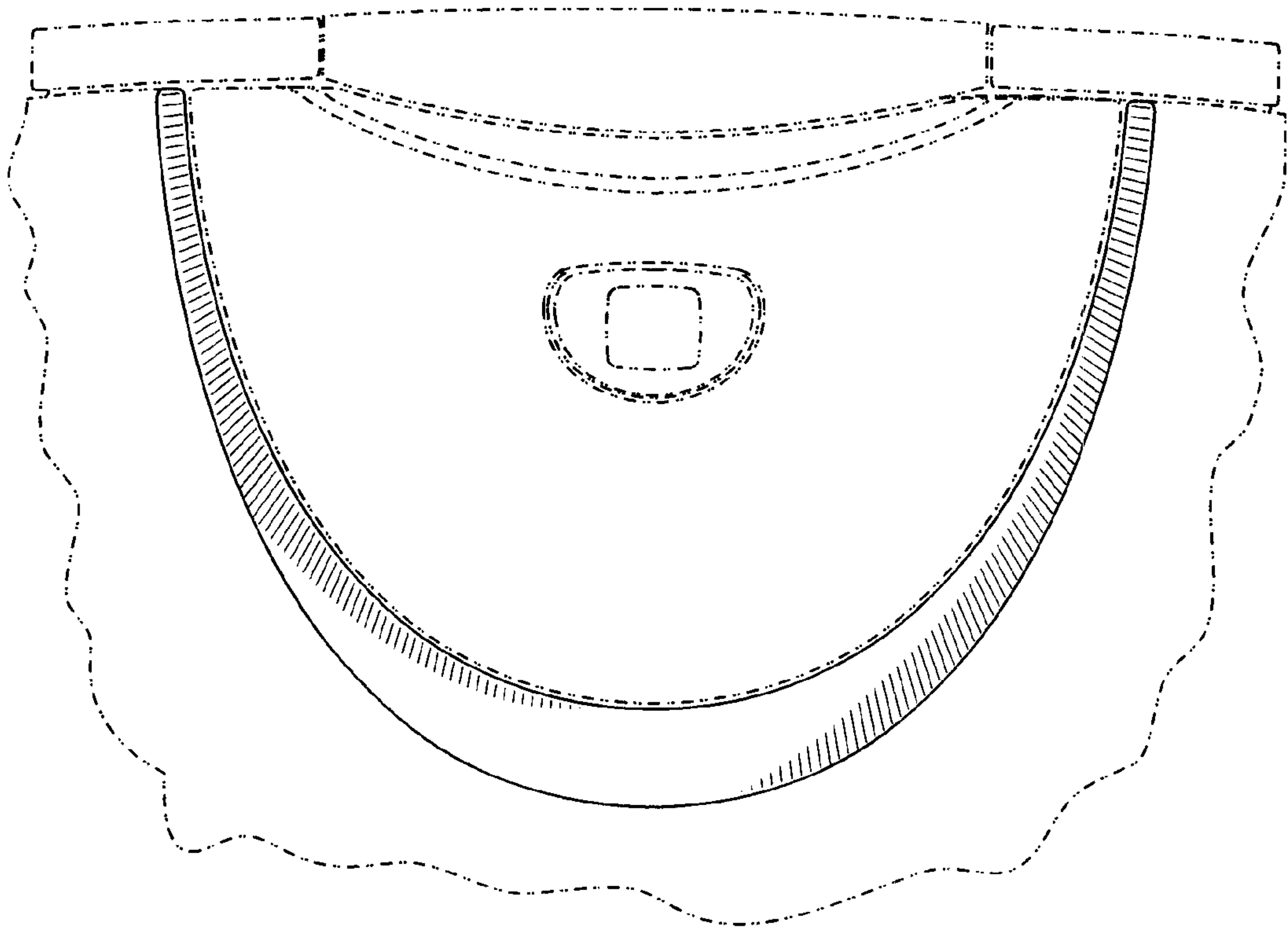


FIG. 2