



US00D484175S

(12) **United States Design Patent**
Barōn

(10) **Patent No.:** **US D484,175 S**

(45) **Date of Patent:** **** Dec. 23, 2003**

(54) **STRING INSTRUMENT HEADSTOCK**

Primary Examiner—Ruth McInroy

(76) **Inventor:** **Sukhdan Tito Barōn**, 16651 S.
Delgado Rd., Sahuarita, AZ (US) 85629

(57) **CLAIM**

(**) **Term:** **14 Years**

The ornamental design for a string instrument headstock, as shown and described.

(21) **Appl. No.:** **29/163,951**

DESCRIPTION

(22) **Filed:** **Jul. 15, 2002**

(51) **LOC (7) Cl.** **17-03**

(52) **U.S. Cl.** **D17/20**

(58) **Field of Search** D17/14–15, 19–21,
D17/24, 99; 84/267, 290–293, 298–299

FIG. 1 is a front upper-left isometric view of a string instrument headstock showing my new design;

FIG. 2 is a front view thereof;

FIG. 3 is a rear view thereof;

FIG. 4 is a front upper-left isometric view of a second embodiment thereof;

FIG. 5 is a front view of a second embodiment; and,

FIG. 6 is a rear view of a second embodiment.

The wood grained pattern in FIG. 1 and the neck, string-retaining nut and holes for tuning devices that are shown in broken lines, are for illustrative purposes only, and form no part of the claimed design.

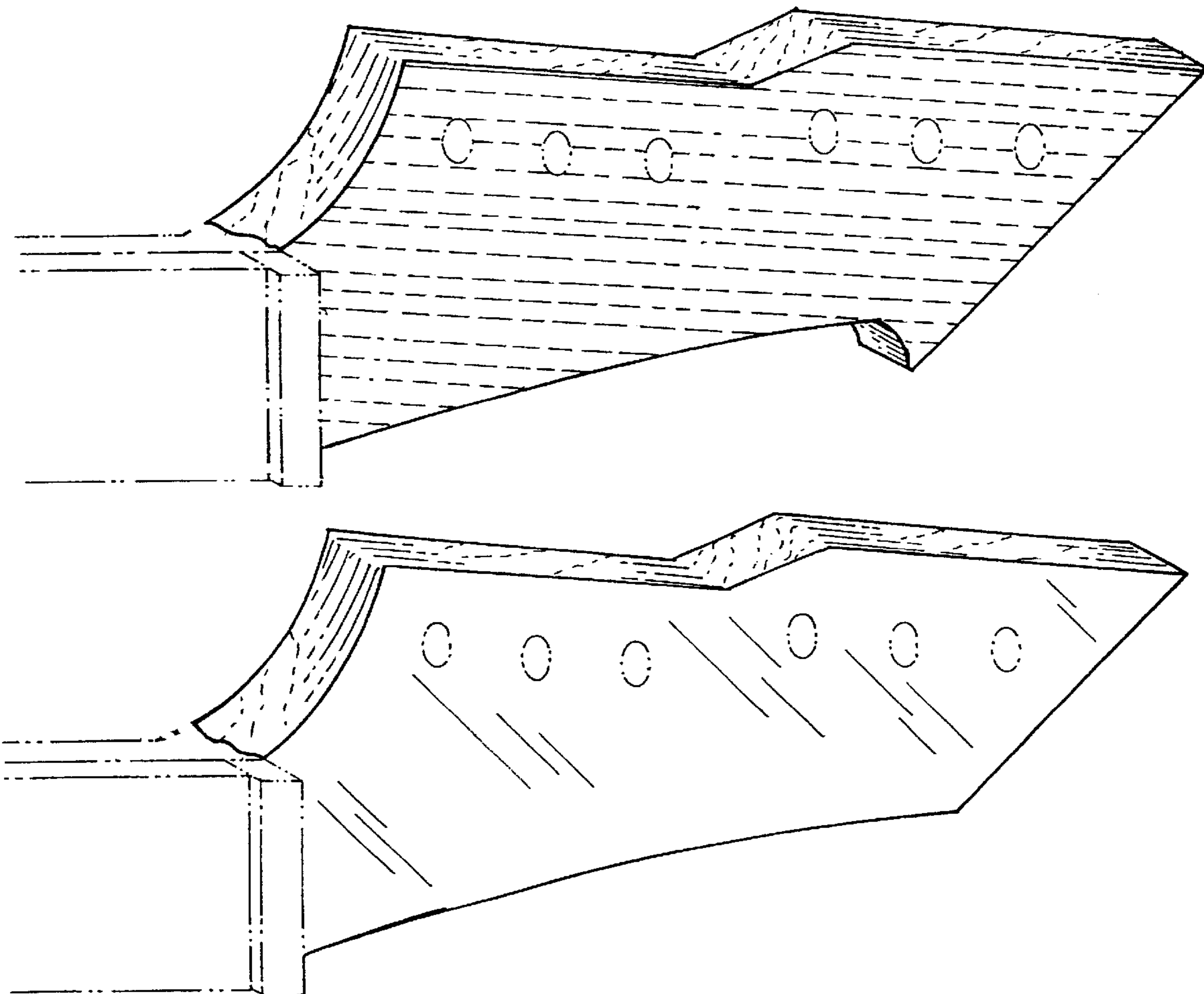
(56) **References Cited**

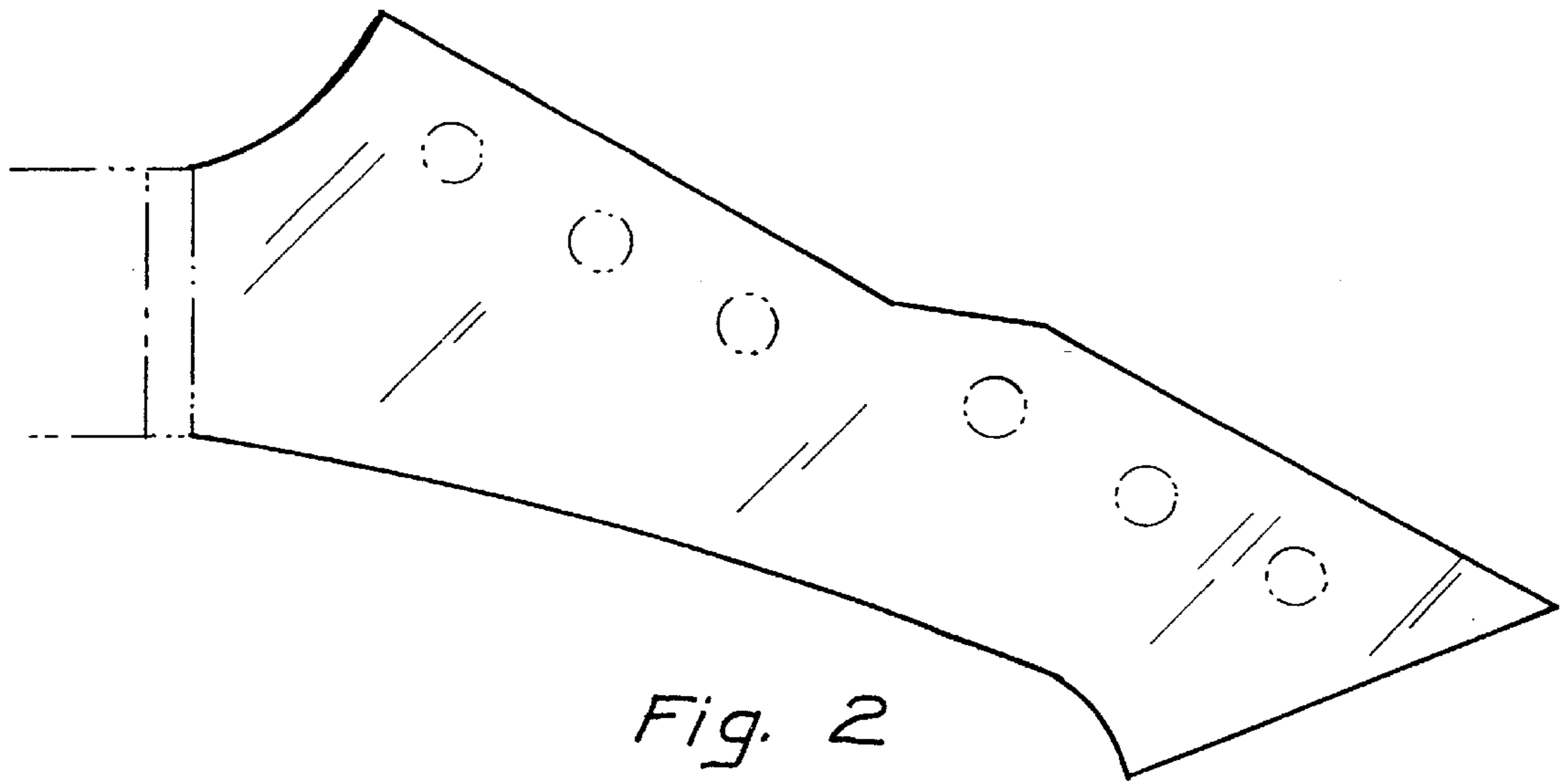
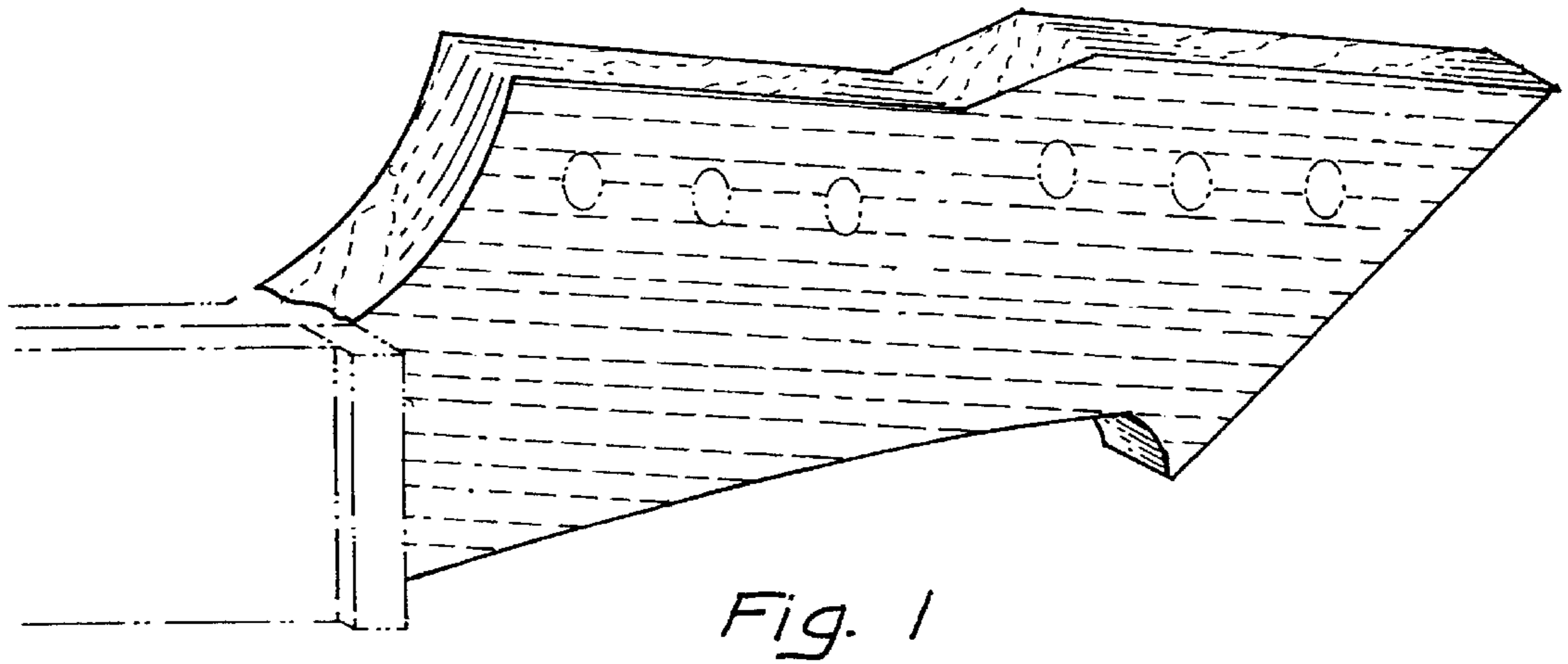
U.S. PATENT DOCUMENTS

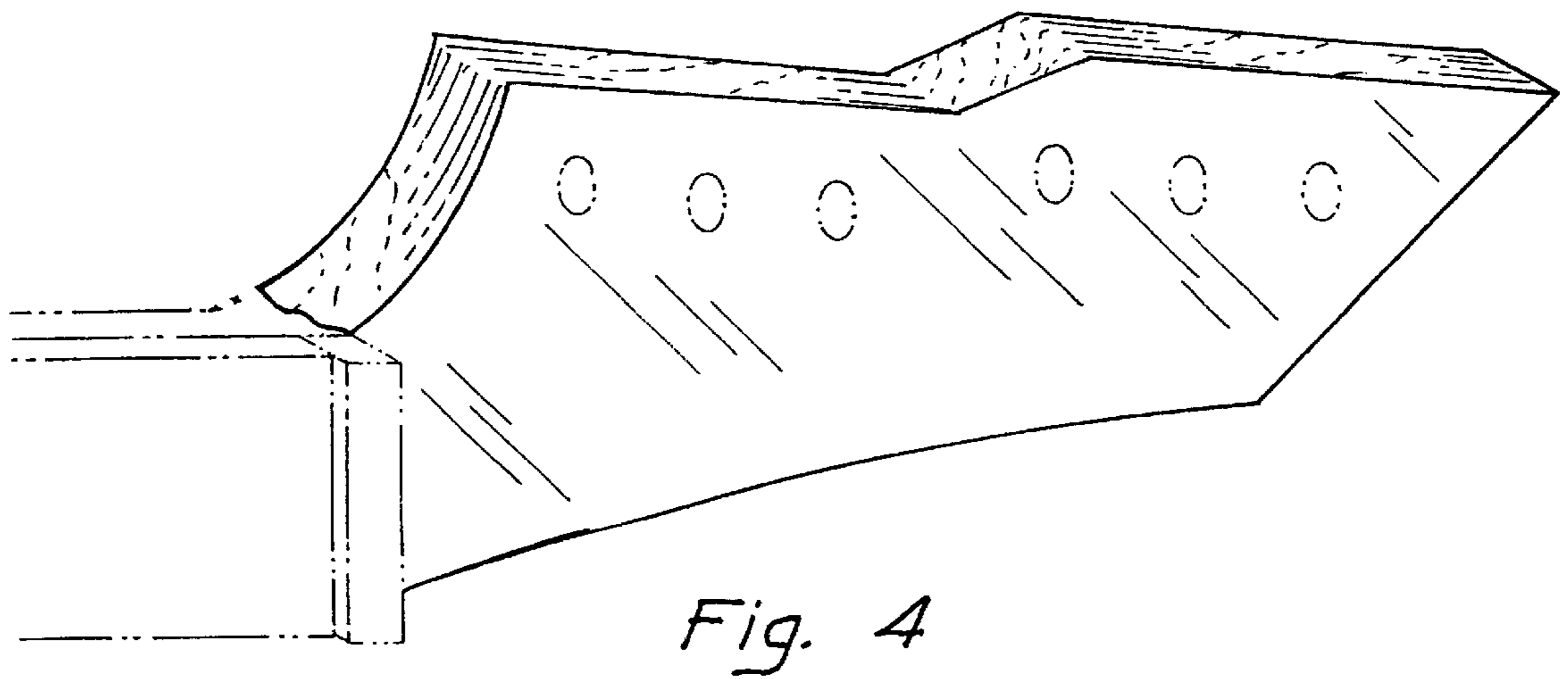
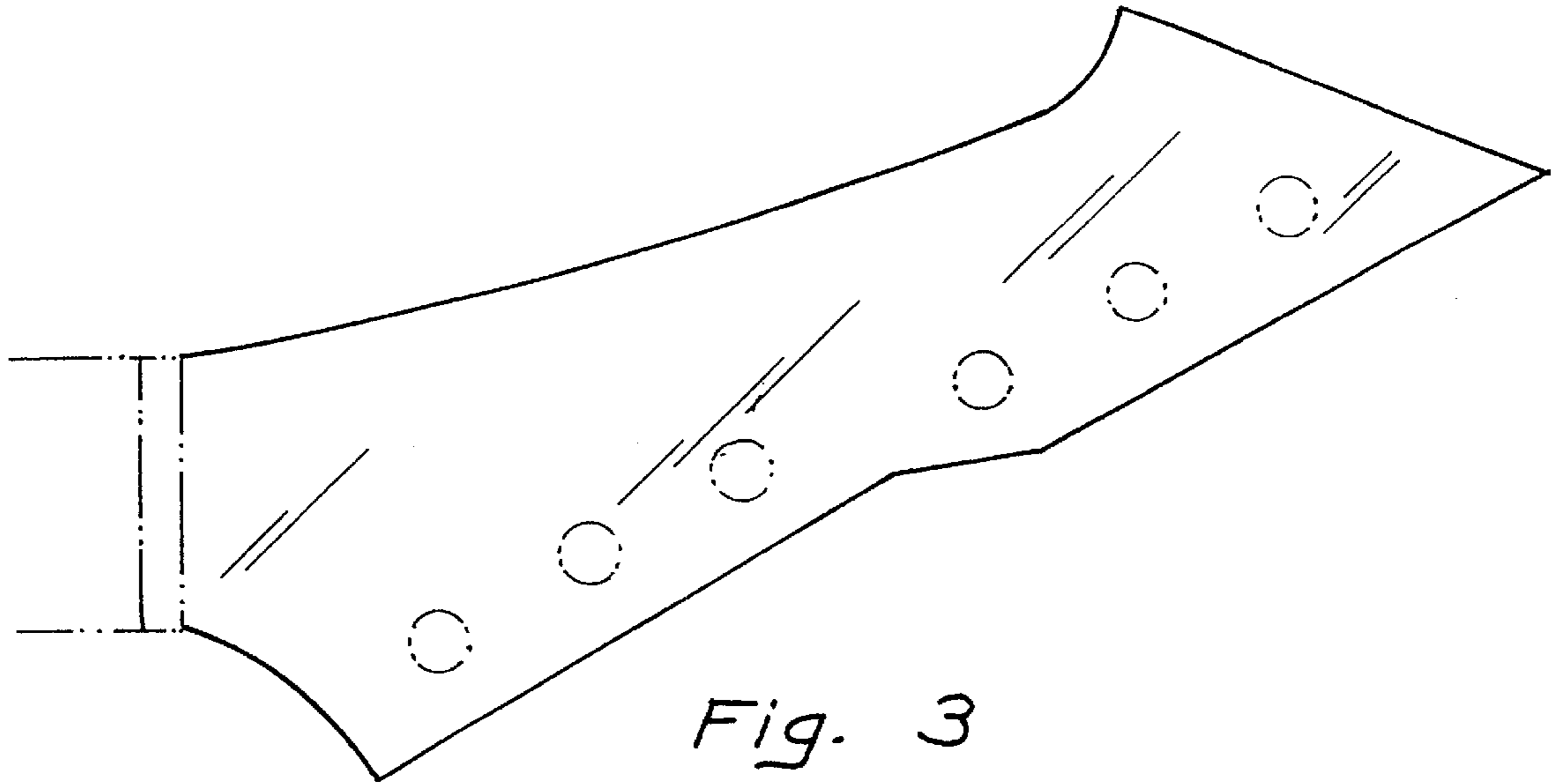
D304,953 S	*	12/1989	Ridinger et al.	D17/20
D314,784 S	*	2/1991	Powers	D17/20
D317,320 S	*	6/1991	Schumann et al.	D17/20
D324,692 S	*	3/1992	Milner et al.	D17/14
D326,864 S	*	6/1992	Tornese	D17/20

* cited by examiner

1 Claim, 3 Drawing Sheets







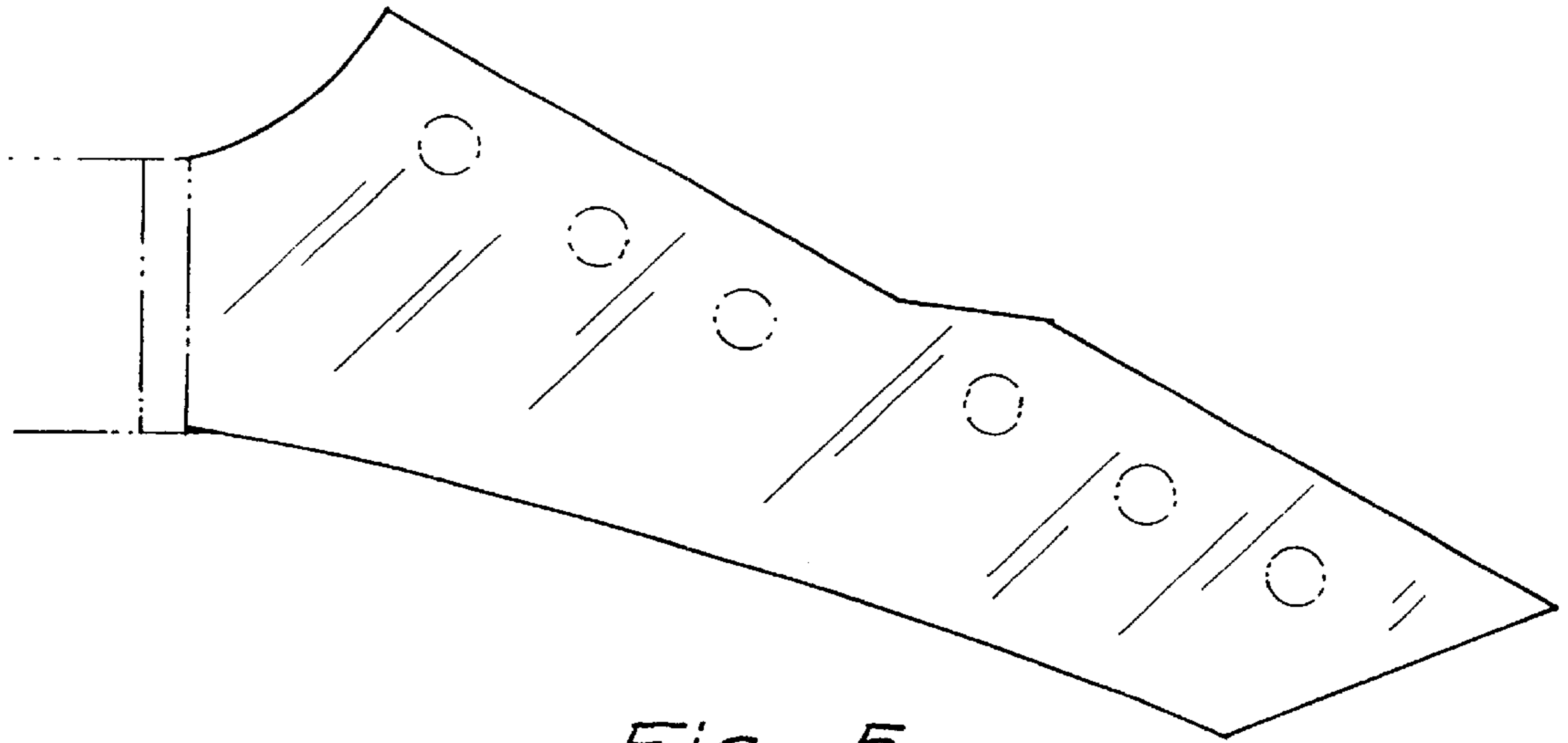


Fig. 5

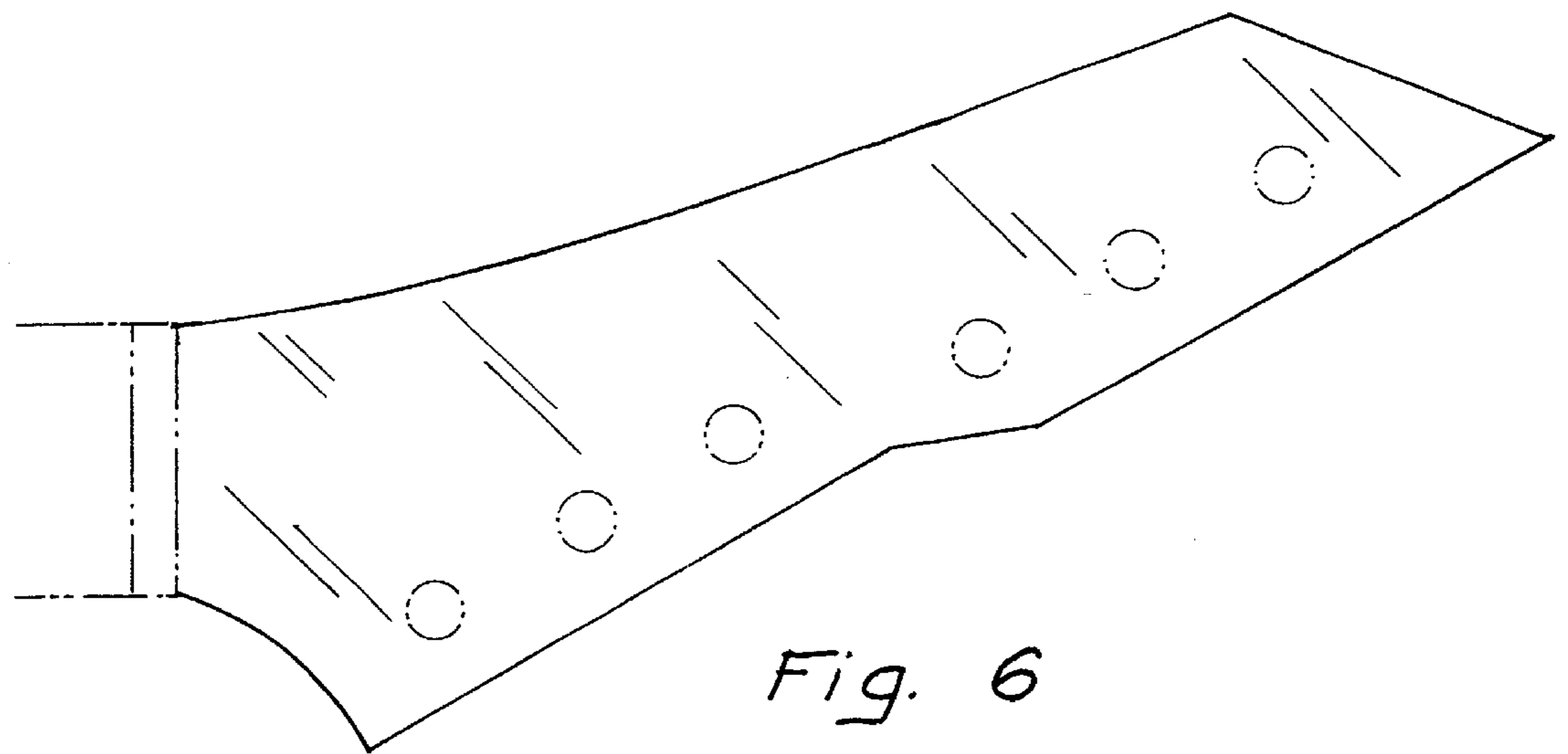


Fig. 6