



US00D484170S

(12) **United States Design Patent**  
**Zorkendorfer**

(10) **Patent No.:** **US D484,170 S**

(45) **Date of Patent:** **\*\* Dec. 23, 2003**

(54) **SPORTS EYEGLASSES**

(75) **Inventor:** **Rico Zorkendorfer**, San Francisco, CA  
(US)

(73) **Assignee:** **Eastman Chemical Company**,  
Kingsport, TN (US)

(\*\*) **Term:** **14 Years**

(21) **Appl. No.:** **29/177,972**

(22) **Filed:** **Mar. 20, 2003**

(51) **LOC (7) Cl.** ..... **16-06**

(52) **U.S. Cl.** ..... **D16/312; D16/313; D16/300;**  
**D16/306**

(58) **Field of Search** ..... **D16/101, 300-330,**  
**D16/339; D29/109, 110; D24/110.2; 351/41,**  
**44, 51, 52, 158; 2/426-432, 434-437, 447,**  
**441**

(56) **References Cited**

**U.S. PATENT DOCUMENTS**

D194,221 S \* 12/1962 Zbikowski ..... D16/312  
4,447,914 A \* 5/1984 Jannard ..... 2/432

D299,034 S \* 12/1988 Seaboyer ..... D16/312

5,542,130 A \* 8/1996 Grabos, Jr. et al. .... 2/436

D390,863 S \* 2/1998 Bennell et al. .... D16/312

D408,431 S \* 4/1999 Simioni ..... D16/312

D439,267 S \* 3/2001 Hussey ..... D16/312

\* cited by examiner

*Primary Examiner*—Raphael Barkai

(74) *Attorney, Agent, or Firm*—Arent Fox Kintner Plotkin  
& Kahn, PLLC

(57) **CLAIM**

The ornamental design for sports eyeglasses, as shown and  
described in FIGS. 1-7.

**DESCRIPTION**

FIG. 1 is a perspective view of sports eyeglasses showing  
my new design;

FIG. 2 is a front view thereof;

FIG. 3 is a rear view thereof;

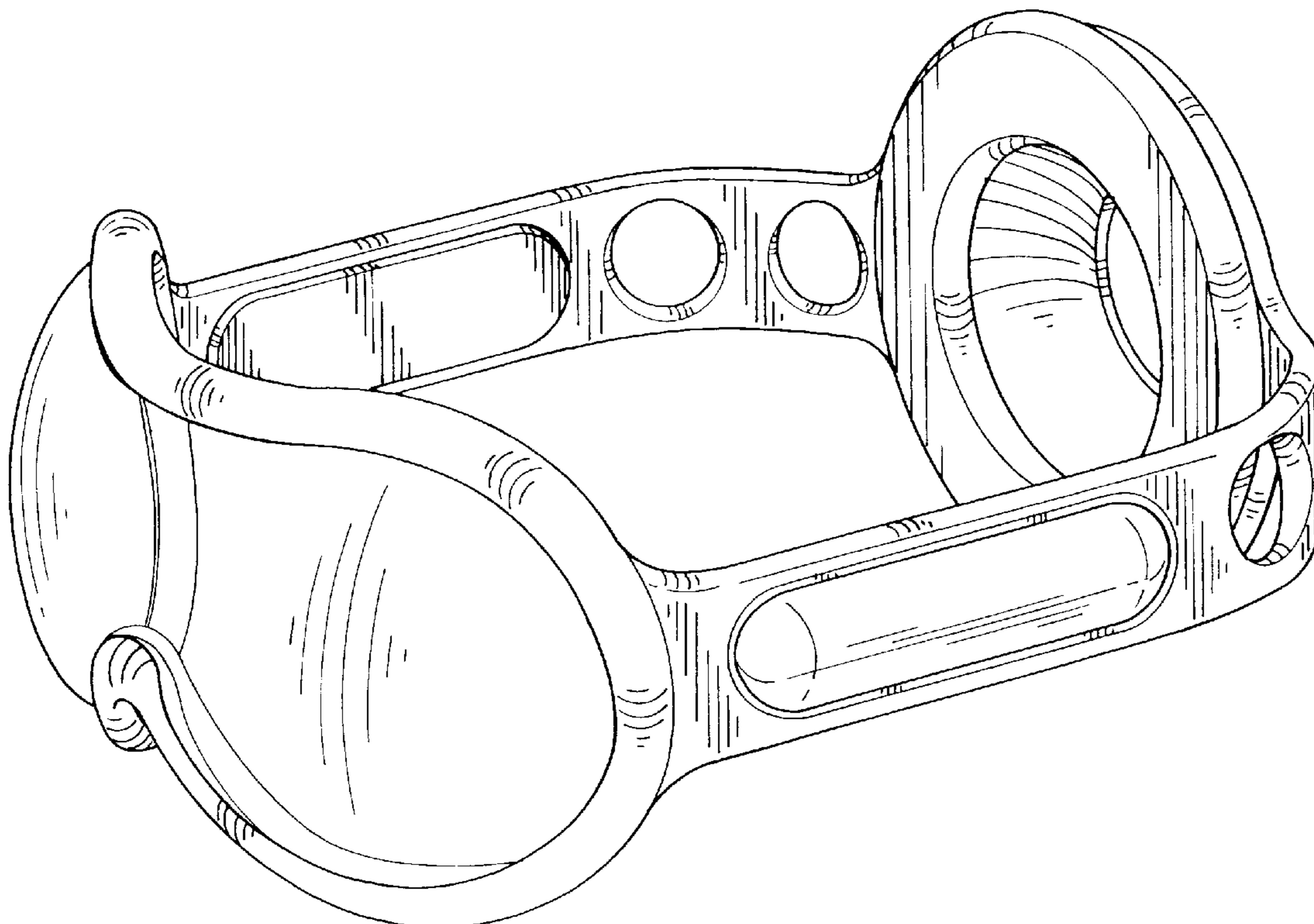
FIG. 4 is a left side view thereof;

FIG. 5 is a right side view thereof;

FIG. 6 is a top view thereof; and,

FIG. 7 is a bottom view thereof.

**1 Claim, 4 Drawing Sheets**



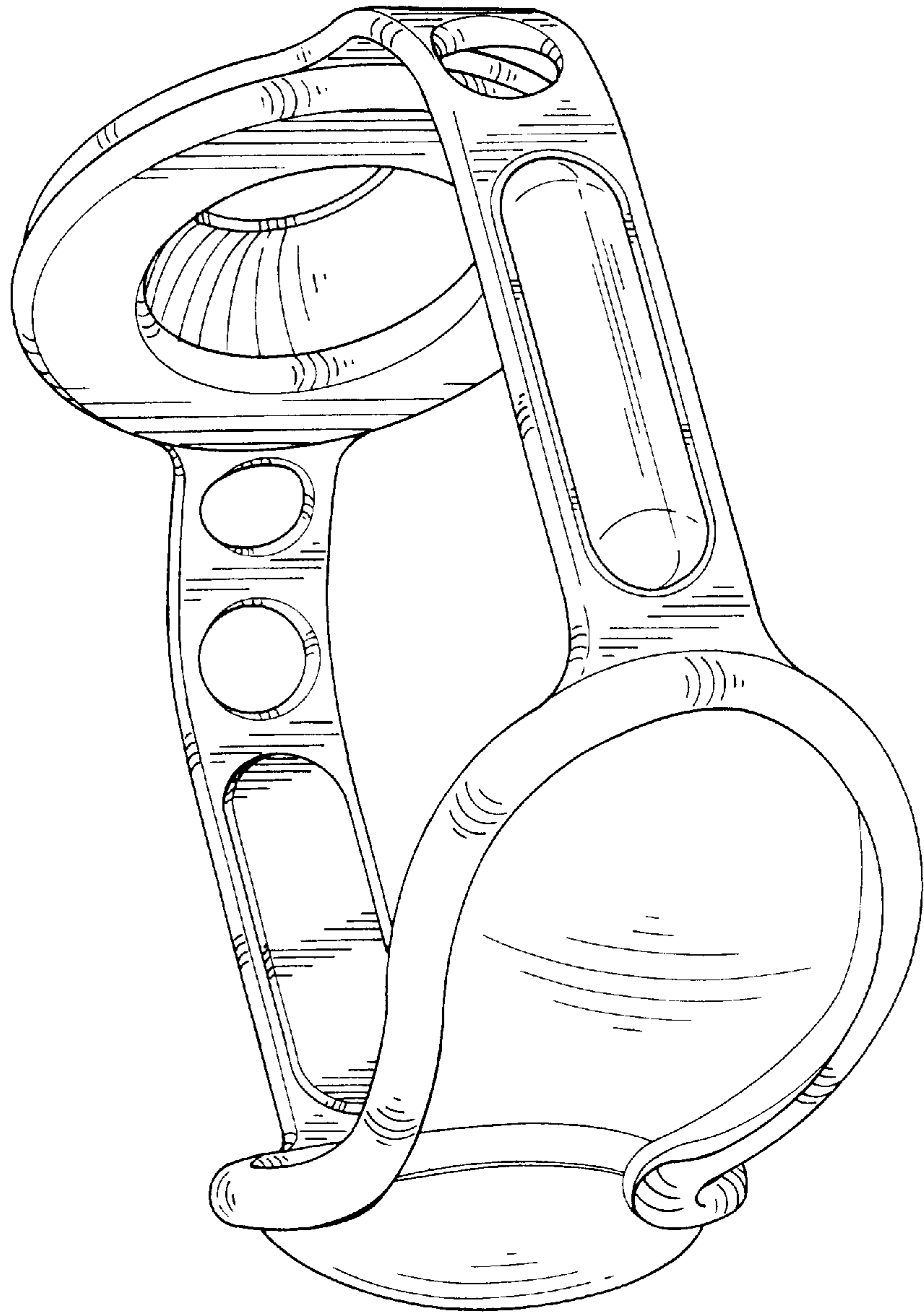


FIG.1

FIG.2

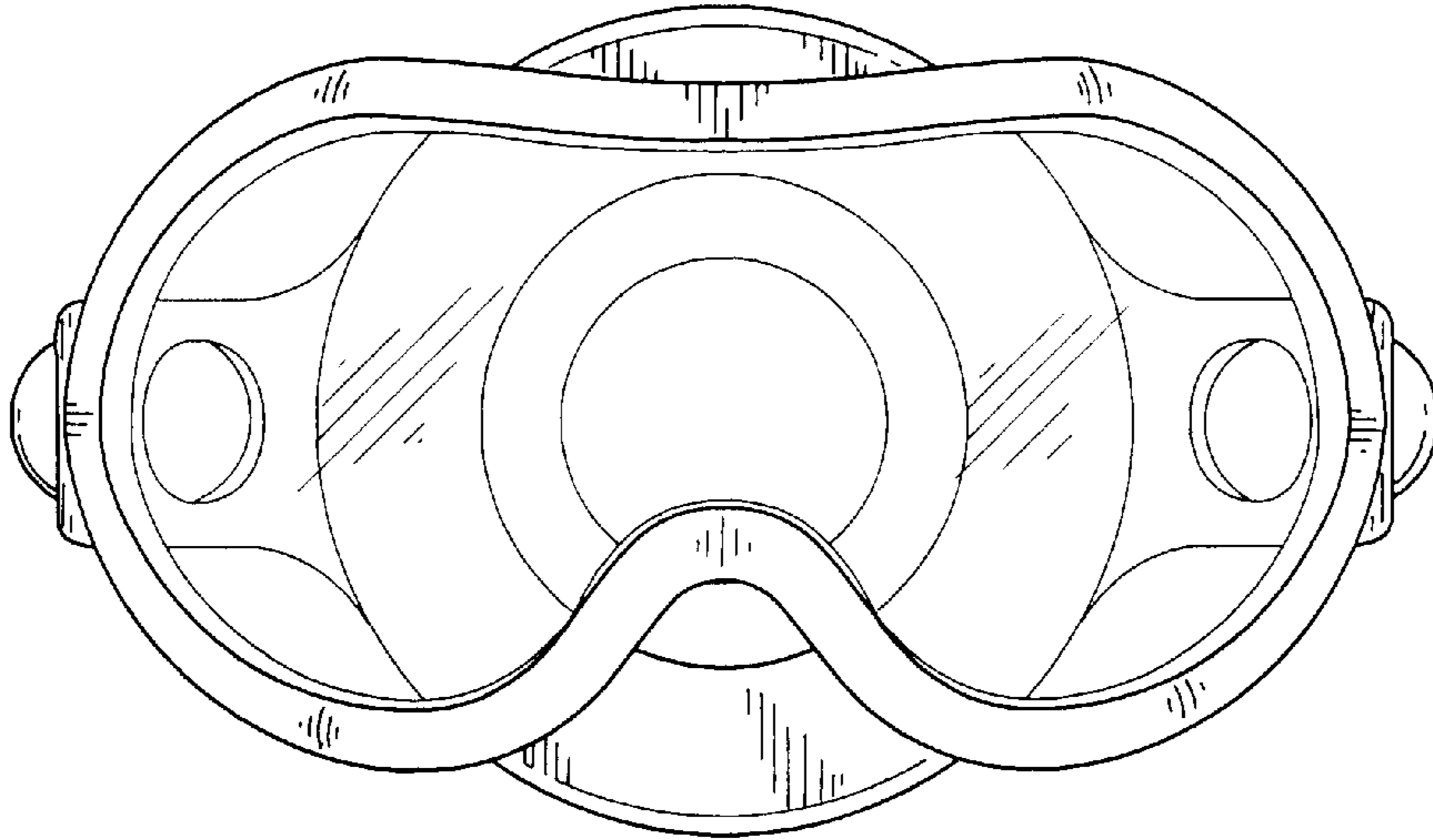


FIG.3

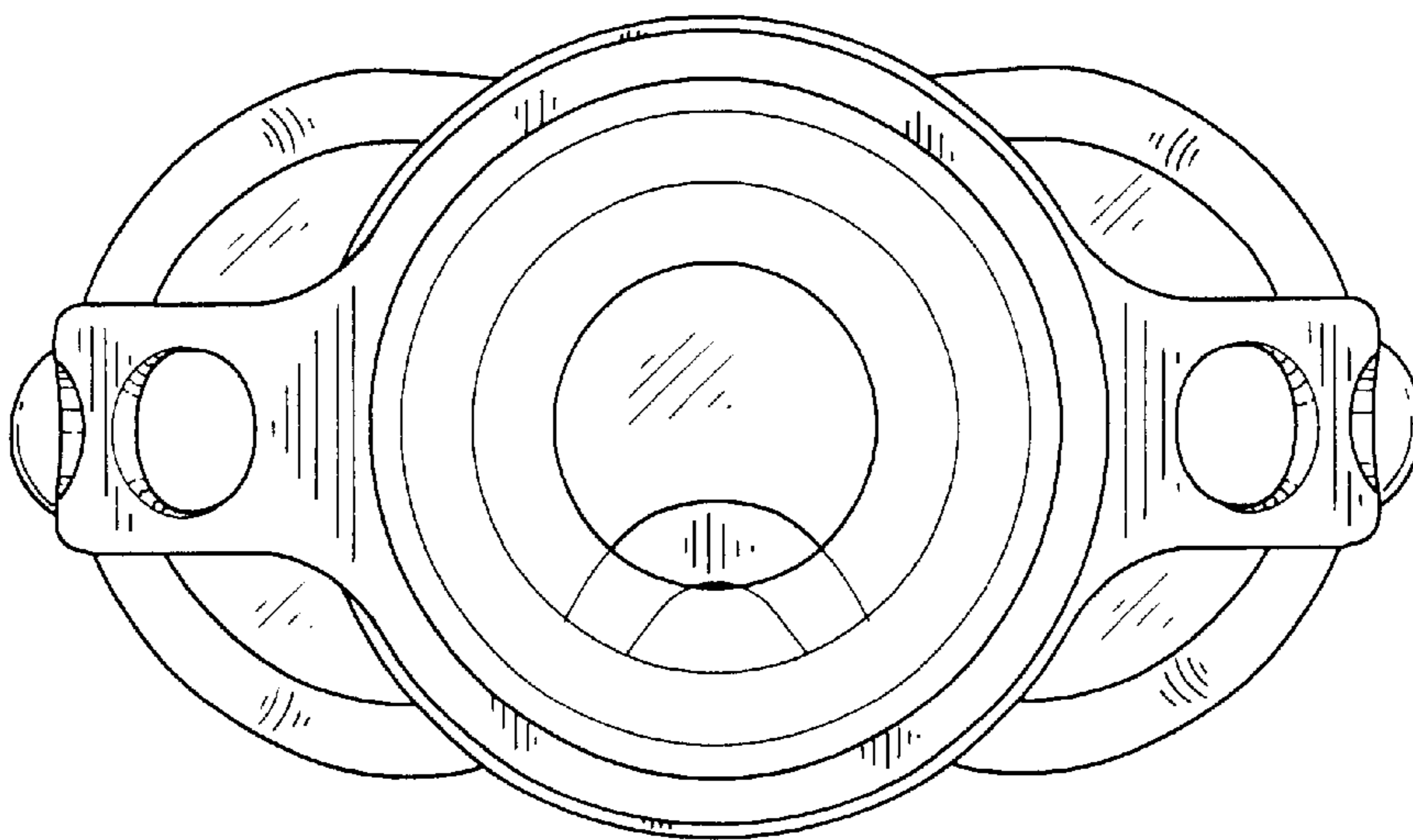


FIG.4

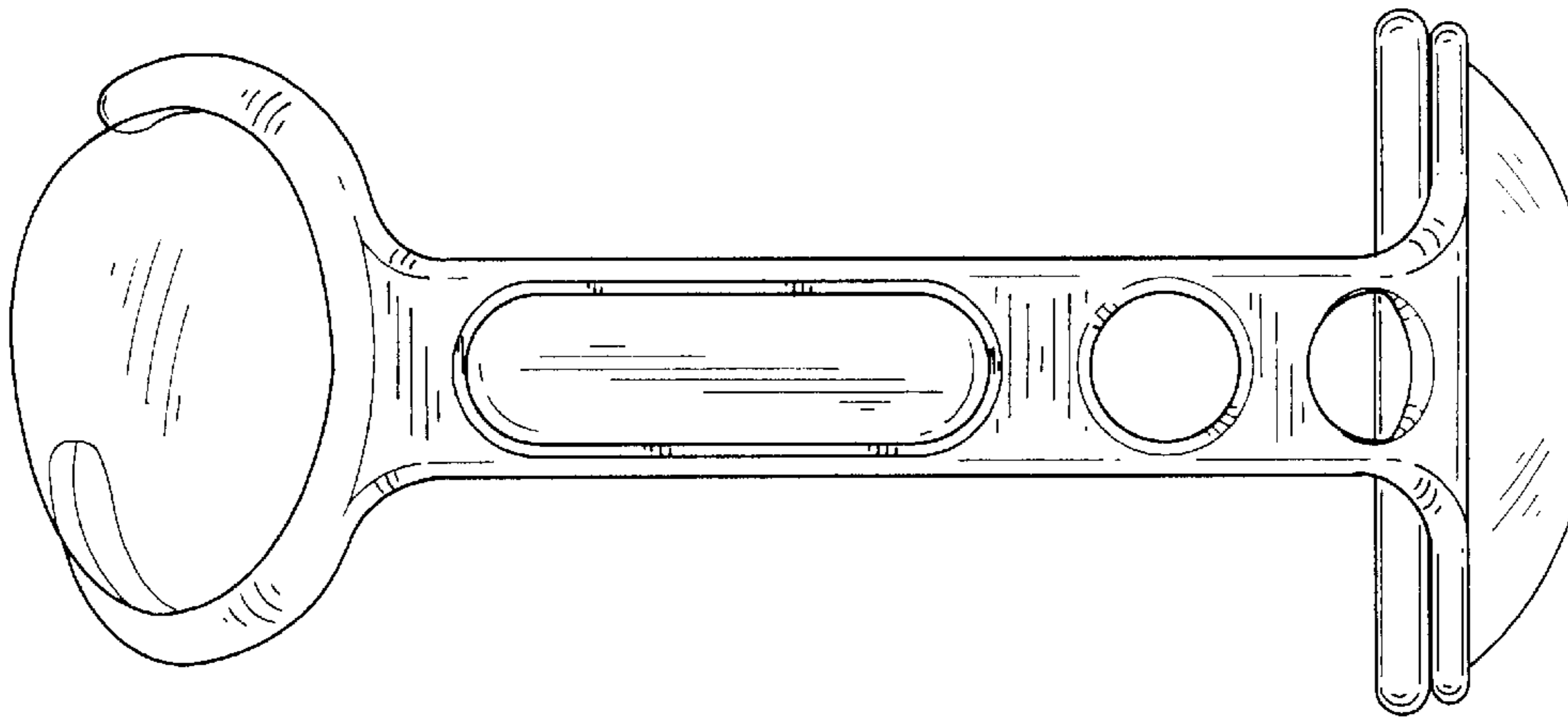


FIG.5

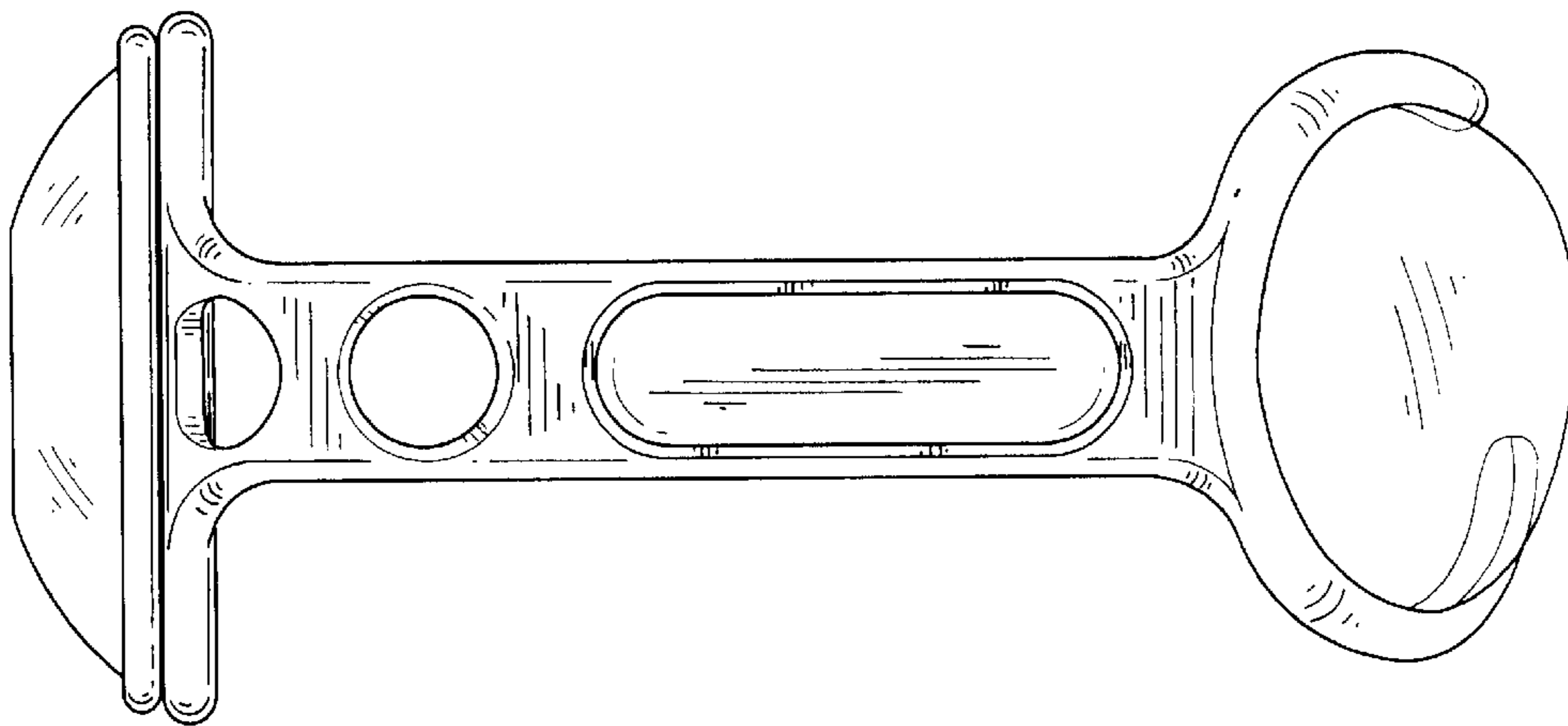


FIG.6

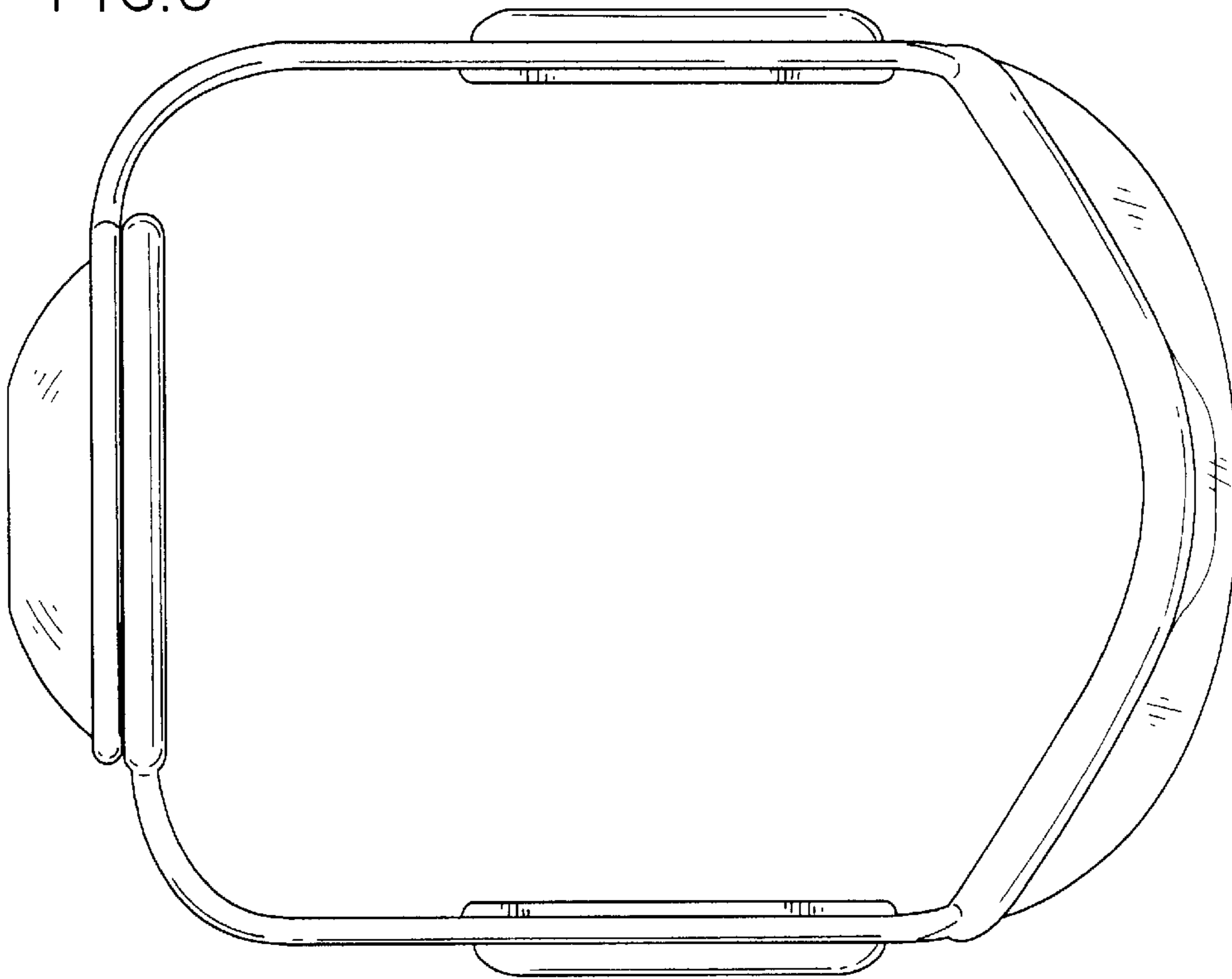


FIG.7

