



US00D484167S

(12) **United States Design Patent**
Naito

(10) **Patent No.:** **US D484,167 S**

(45) **Date of Patent:** **** Dec. 23, 2003**

(54) **DIGITAL CAMERA**

(75) Inventor: **Yoshitaka Naito, Oume (JP)**

(73) Assignee: **Olympus Optical Co., Ltd., Tokyo (JP)**

(**) Term: **14 Years**

(21) Appl. No.: **29/179,687**

(22) Filed: **Apr. 14, 2003**

Related U.S. Application Data

(62) Division of application No. 29/151,062, filed on Oct. 24, 2001.

(51) **LOC (7) Cl.** **16-05**

(52) **U.S. Cl.** **D16/219; D16/202**

(58) **Field of Search** **D16/200-204, D16/208, 209, 212, 218, 219; 348/373-376; 358/906, 909.1; 396/6, 7, 349, 448, 535-541**

(56) **References Cited**

U.S. PATENT DOCUMENTS

D384,684 S	10/1997	Hamamura	D16/209
D412,518 S	8/1999	Naito	D16/212
D430,187 S	* 8/2000	Naito	D16/218
D437,606 S	2/2001	Suto et al.	D16/218
D437,868 S	2/2001	Naito	D16/212
D449,059 S	10/2001	Shimobayashi	D16/202

D462,371 S	*	9/2002	Hamamura	D16/202
D462,705 S	*	9/2002	Hamamura	D16/202
D474,793 S	*	5/2003	Yoshida	D16/202
D475,384 S	*	6/2003	Tanaka	D16/202
2002/0081115 A1	*	6/2002	Suzuki et al.	396/429

* cited by examiner

Primary Examiner—Adir Aronovich

(74) *Attorney, Agent, or Firm*—Hogan & Hartson LLP

(57) **CLAIM**

The ornamental design for a digital camera, as shown and described.

DESCRIPTION

FIG. 1 is a rear, bottom and right side perspective view of a digital camera showing my new design; FIG. 2 is a front elevational view thereof; FIG. 3 is a rear elevational view thereof; FIG. 4 is a top plan view thereof; FIG. 5 is a bottom plan view thereof; FIG. 6 is a right side elevational view thereof; FIG. 7 is a left side elevational view thereof; and, FIG. 8 is front elevational view with a barrier in an opened position.

The portions of the article in broken lines are shown for illustrative purposes only and form no part of the claimed design.

1 Claim, 5 Drawing Sheets

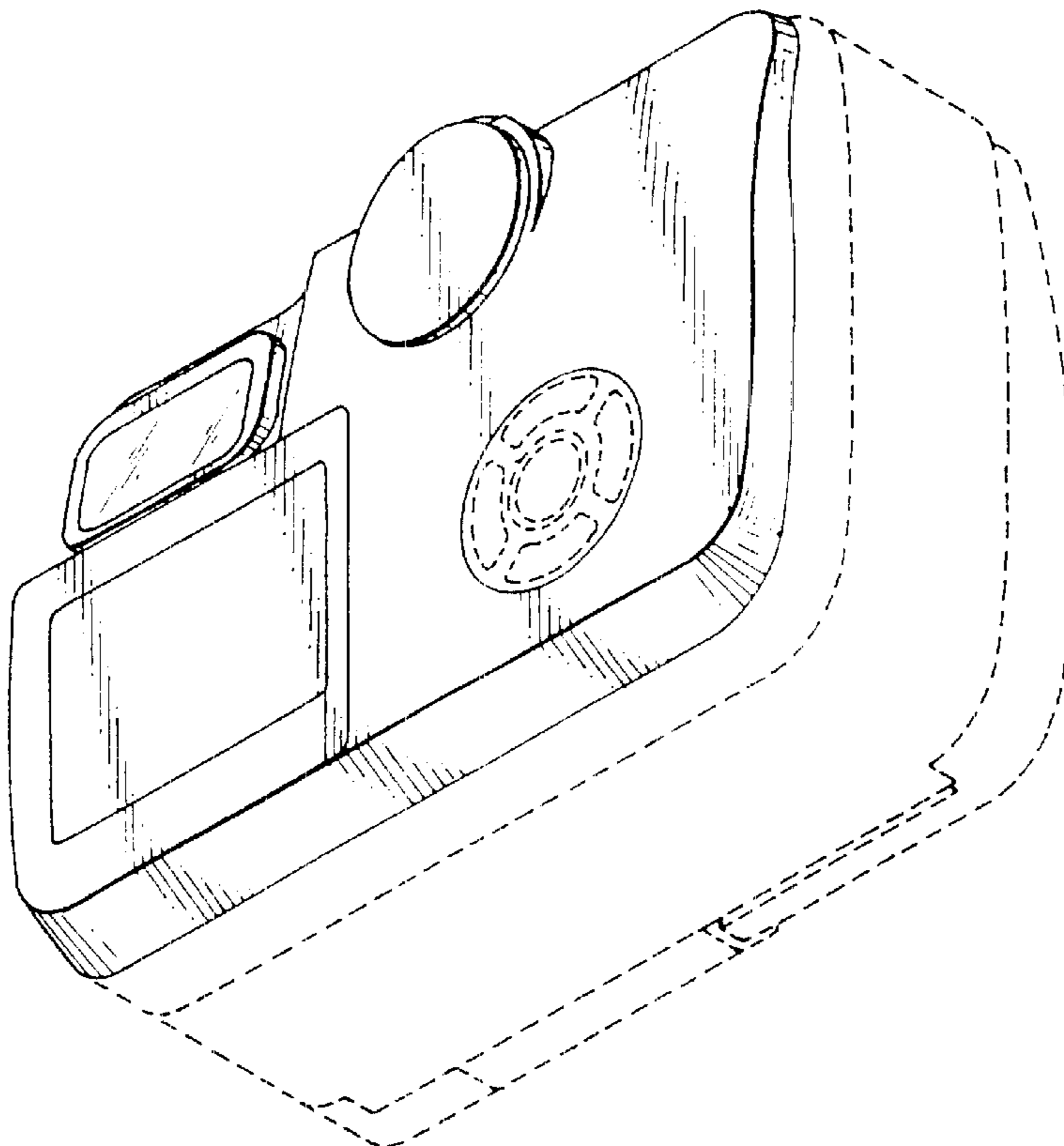


FIG. 1

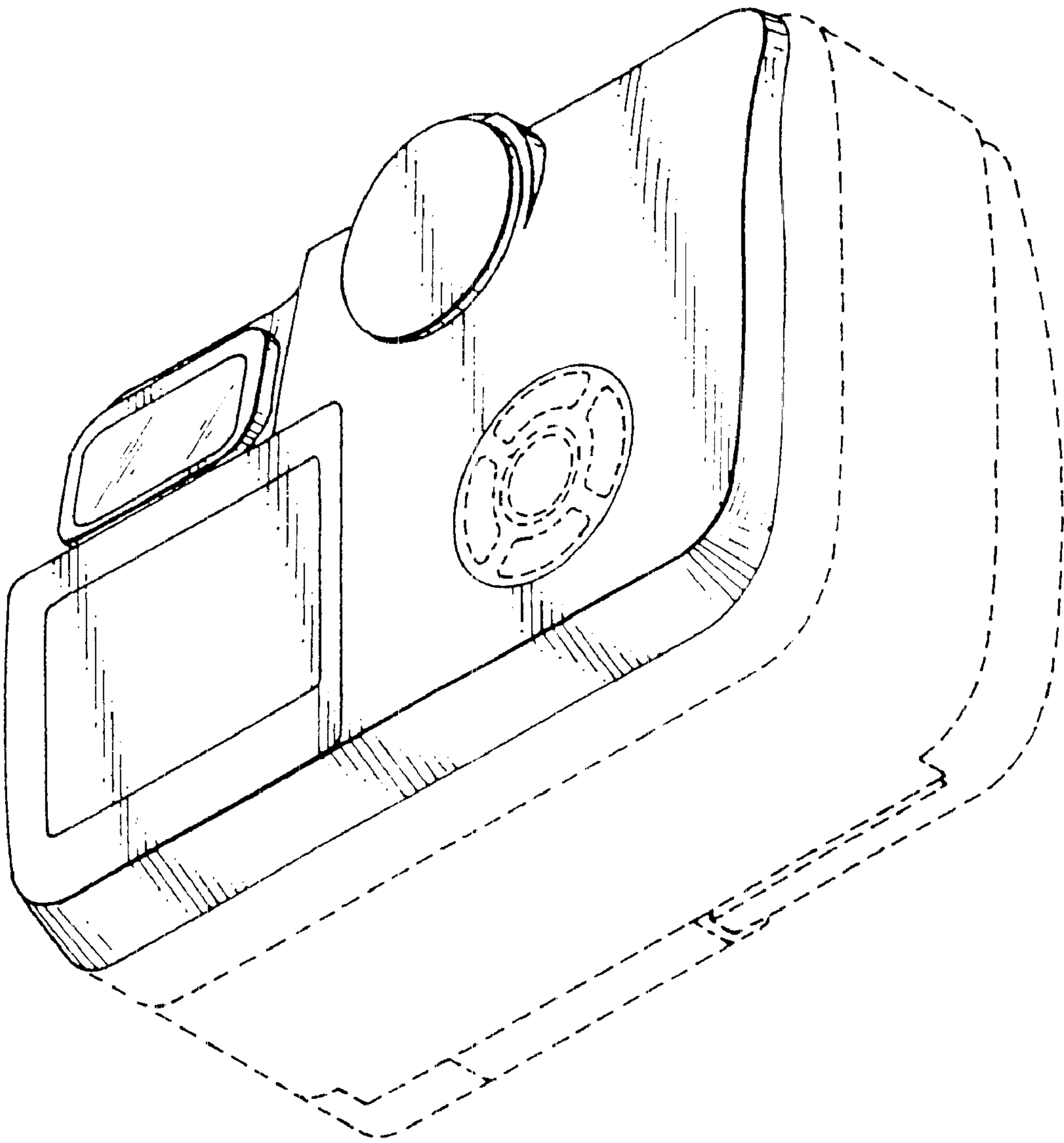


FIG. 2

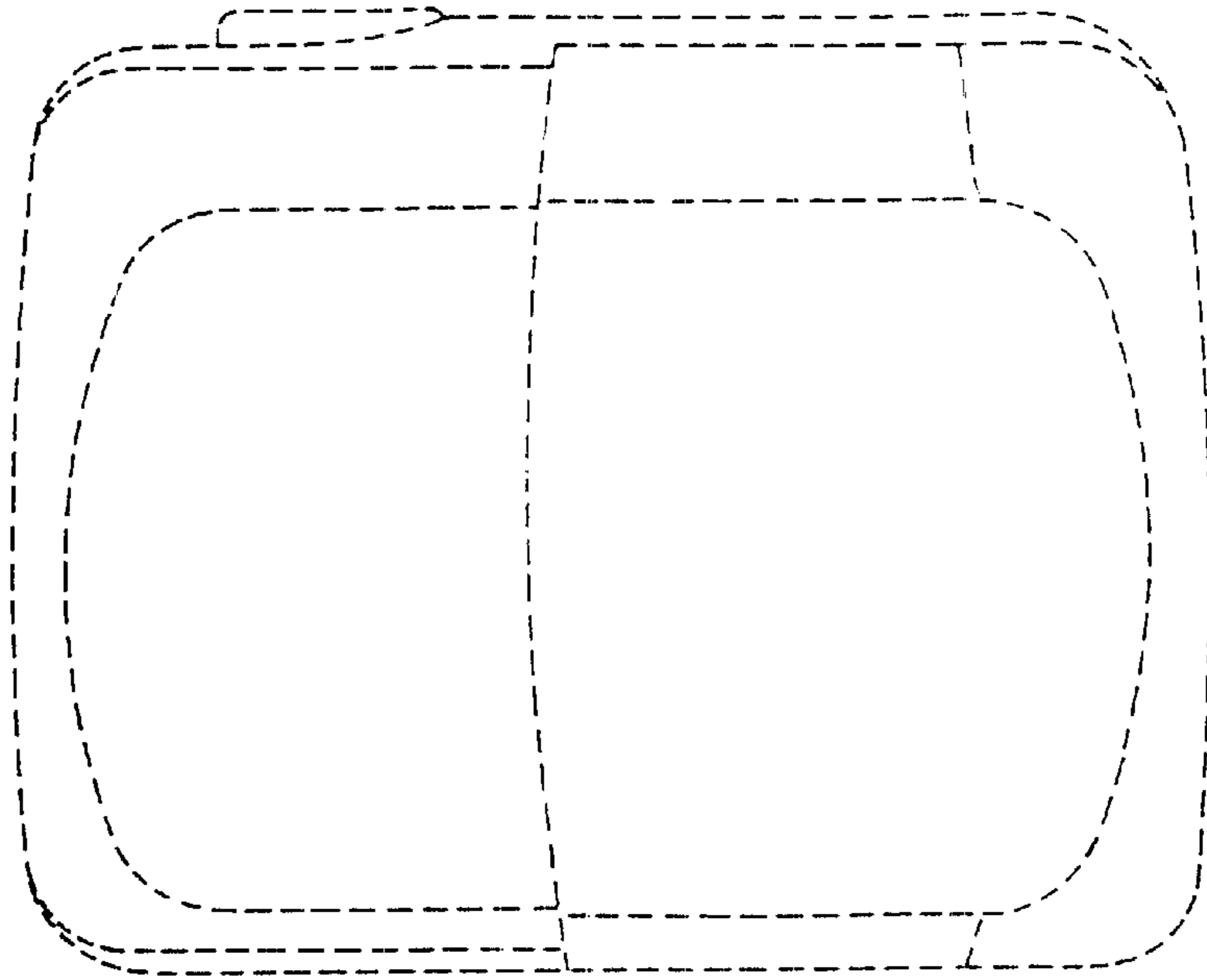


FIG. 3

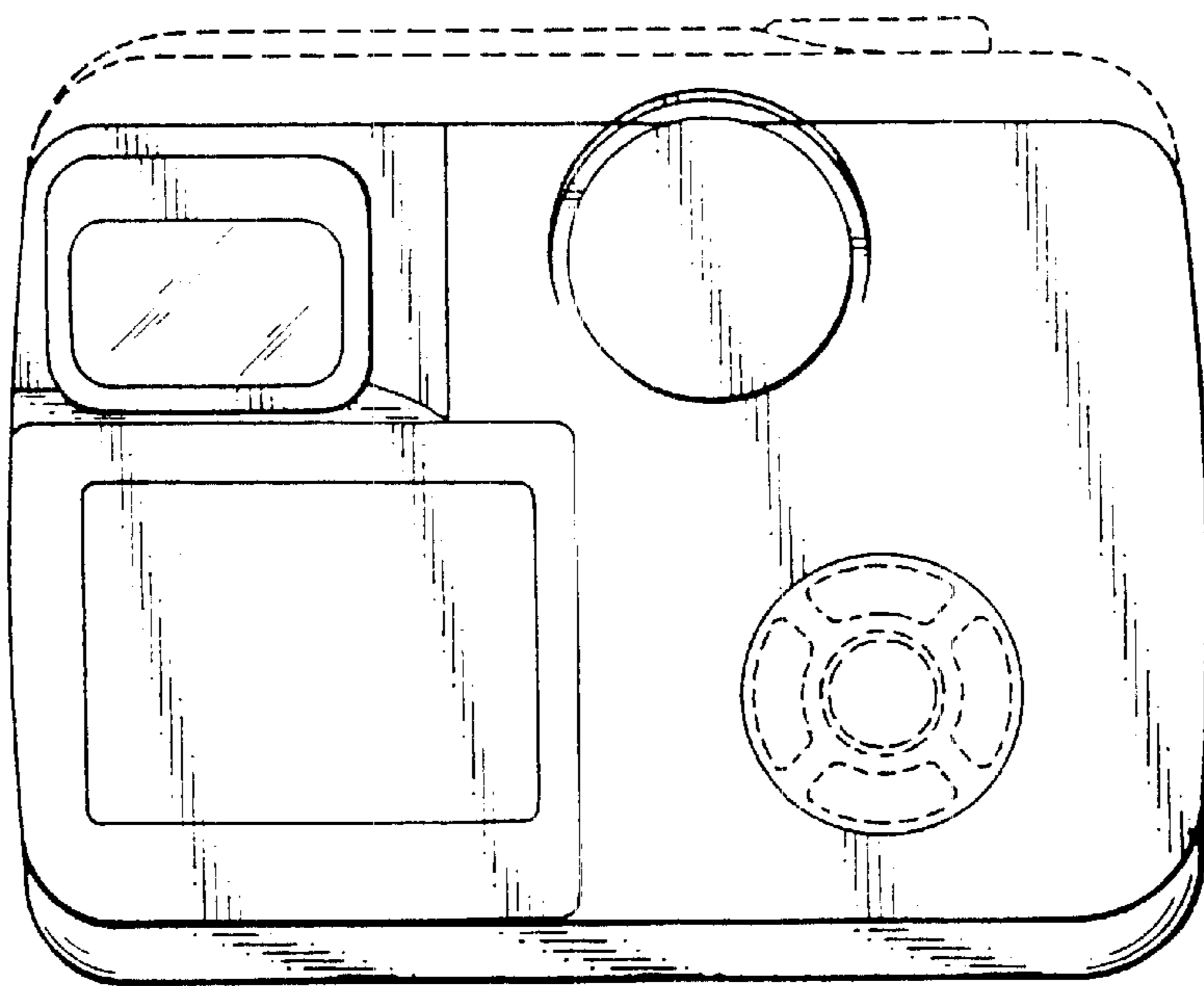


FIG. 4

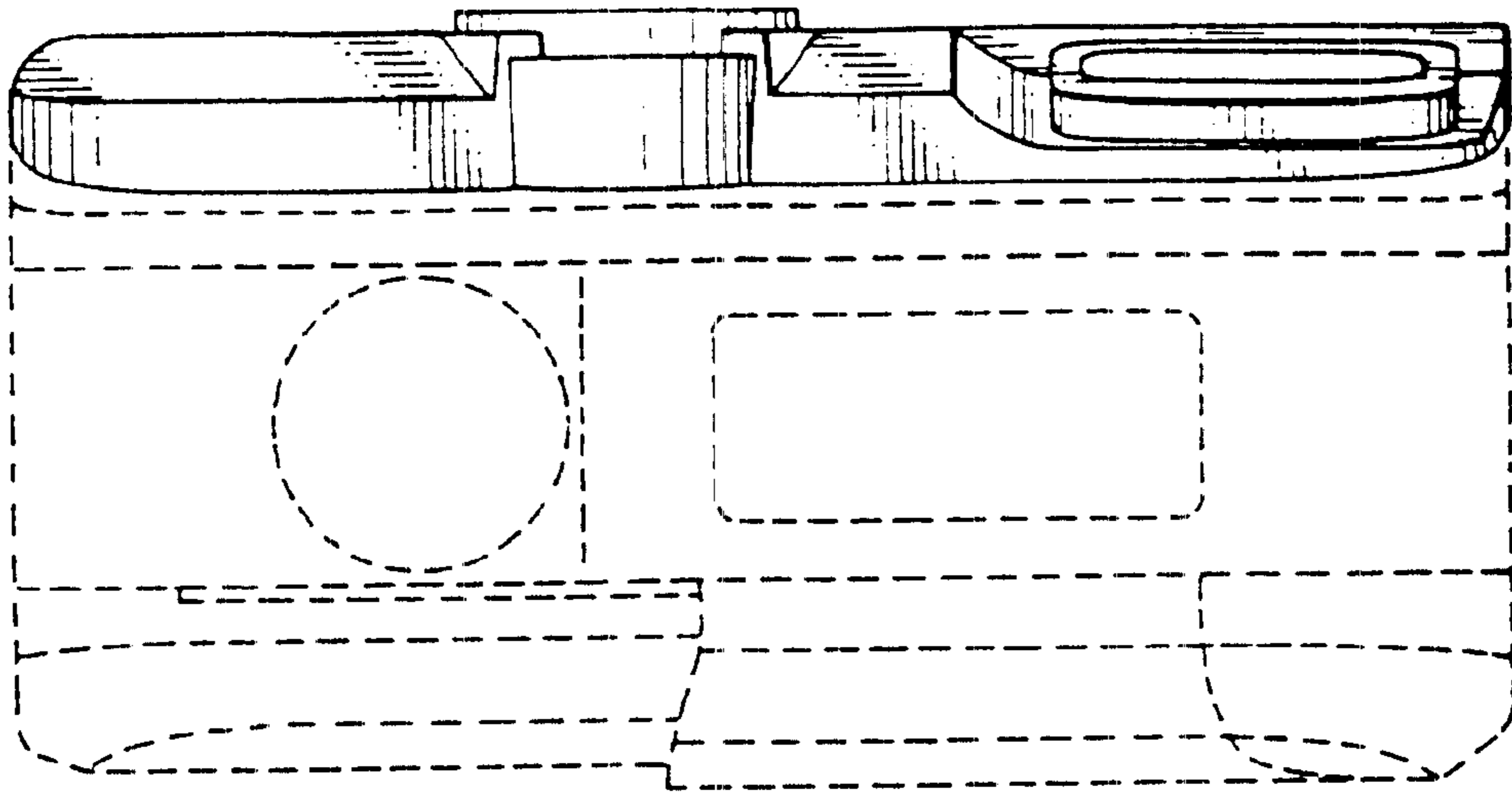


FIG. 5

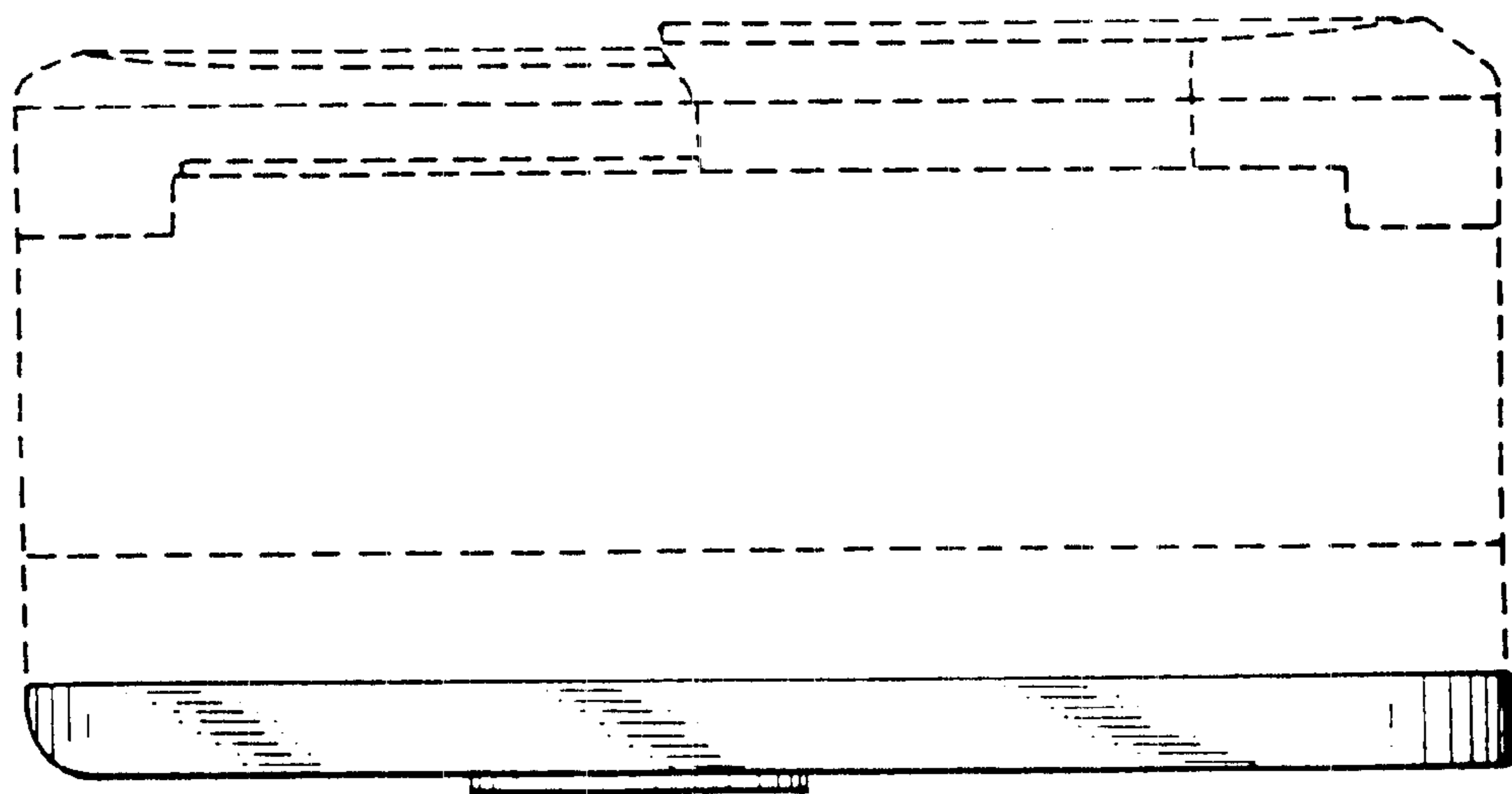


FIG. 6

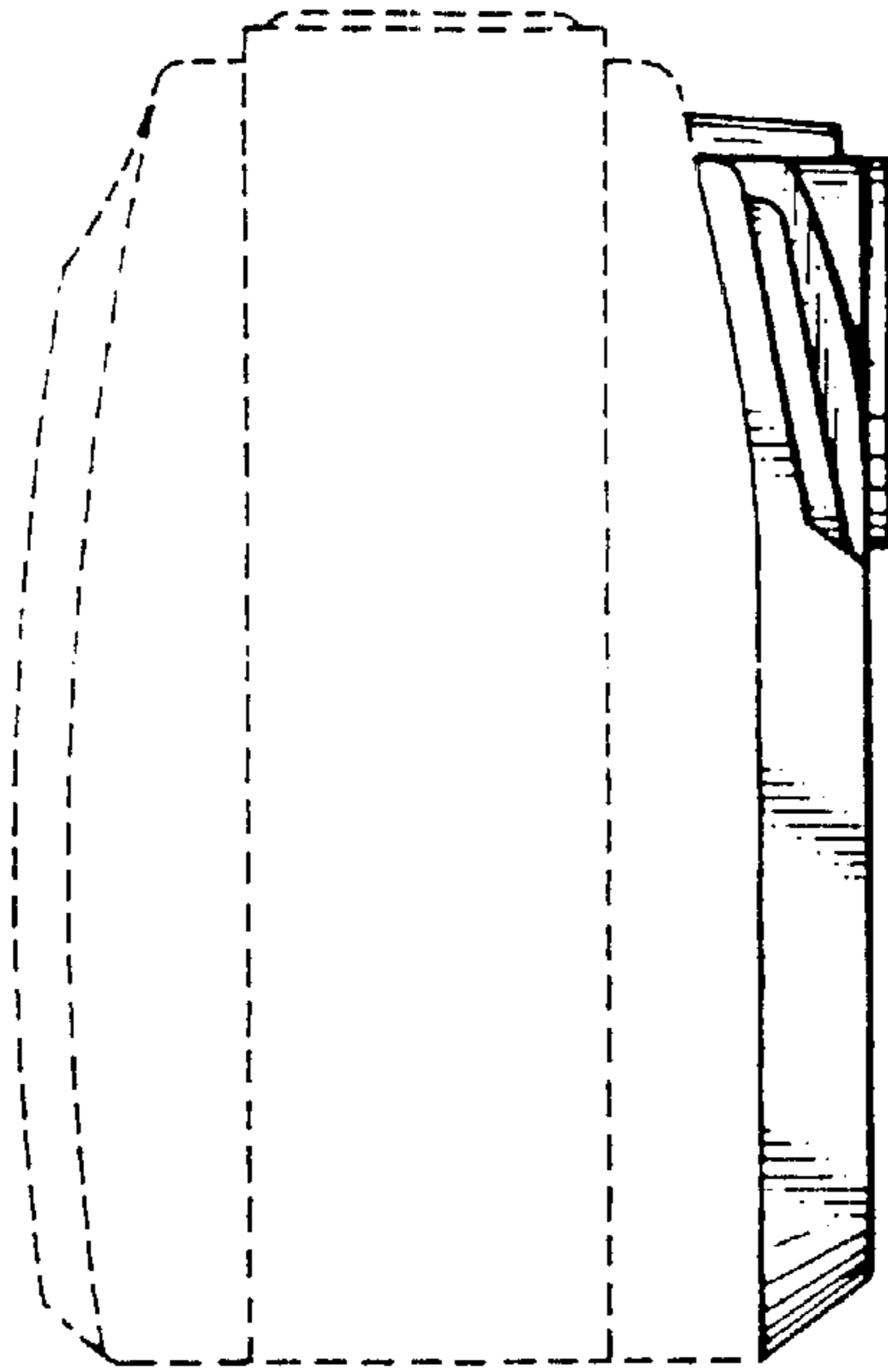


FIG. 7

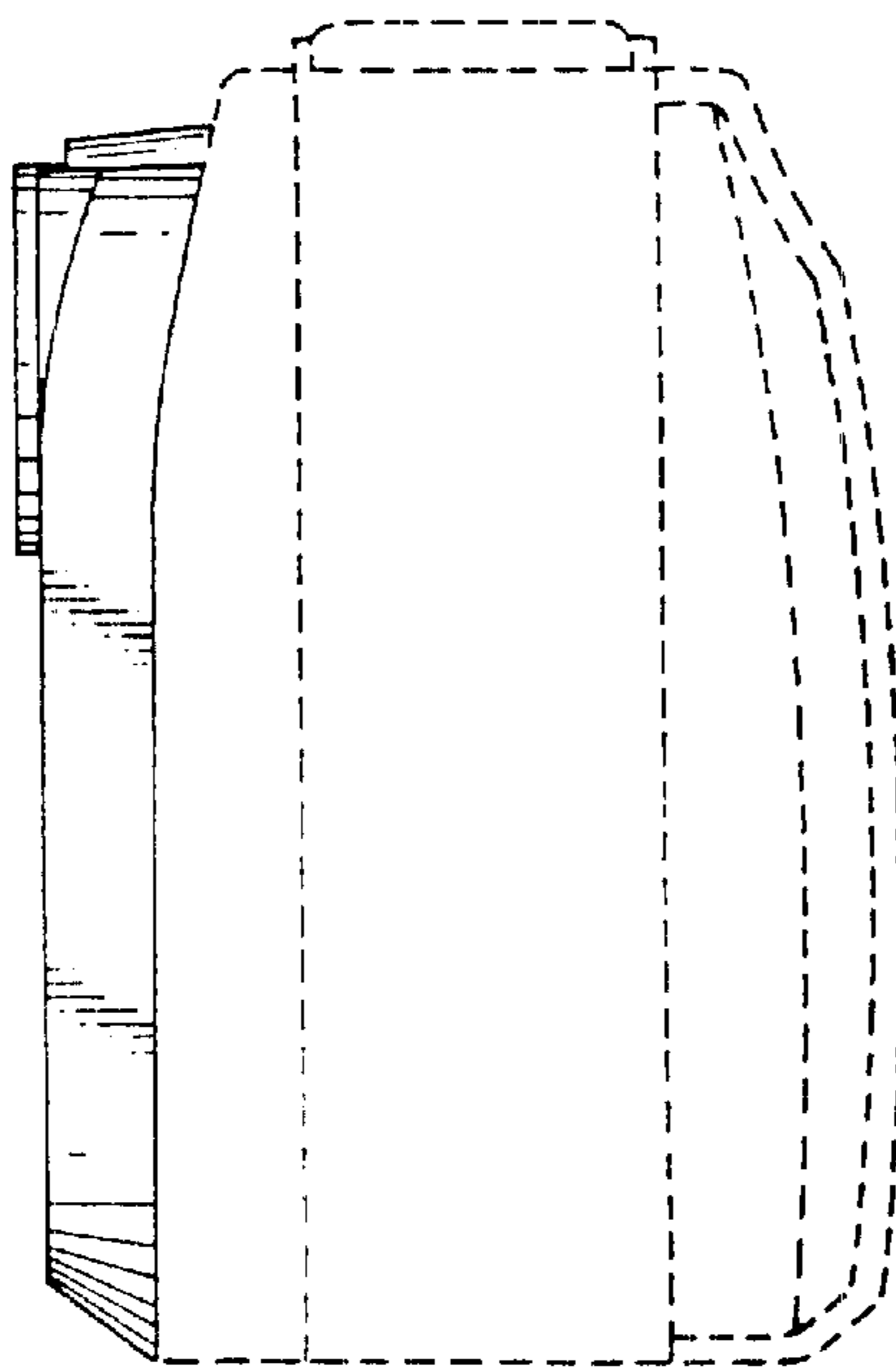


FIG. 8

