



US00D484166S

(12) **United States Design Patent**  
**Senda**

(10) **Patent No.:** **US D484,166 S**

(45) **Date of Patent:** **\*\* Dec. 23, 2003**

(54) **CAMERA**

(75) Inventor: **Yutaka Senda**, Tokyo (JP)

(73) Assignee: **Fuji Photo Film Co., Ltd.**, Kanagawa (JP)

(\*\*) Term: **14 Years**

(21) Appl. No.: **29/177,372**

(22) Filed: **Mar. 10, 2003**

(30) **Foreign Application Priority Data**

Sep. 30, 2002 (JP) ..... 2002-026824

(51) **LOC (7) Cl.** ..... **16-05**

(52) **U.S. Cl.** ..... **D16/219; D16/218**

(58) **Field of Search** ..... D16/200-206,  
D16/208, 218, 219, 237, 243; 348/373-376;  
358/906, 909.1; 396/349, 535-541

(56) **References Cited**

**U.S. PATENT DOCUMENTS**

2,261,448 A \* 11/1941 Peterson ..... 273/317.3  
3,650,025 A \* 3/1972 McLaughlin et al. .... 29/882  
D447,504 S 9/2001 Horikiri ..... D16/218  
D452,260 S \* 12/2001 Petravac et al. .... D16/243

D457,543 S \* 5/2002 Petravac et al. .... D16/219  
D463,472 S 9/2002 Horikiri ..... D16/218  
D472,258 S \* 3/2003 Yin et al. .... D16/202  
D473,251 S \* 4/2003 Katayama ..... D16/218  
2002/0110375 A1 \* 8/2002 Takagi ..... 396/349

\* cited by examiner

*Primary Examiner*—Adir Aronovich

(74) *Attorney, Agent, or Firm*—Young & Thompson

(57) **CLAIM**

The ornamental design for a camera, as shown and described.

**DESCRIPTION**

FIG. 1 is a top, front and side perspective view of a camera showing my new design;

FIG. 2 is a front elevational view thereof;

FIG. 3 is a rear elevational view thereof;

FIG. 4 is a top plan view thereof;

FIG. 5 is a bottom plan thereof; and,

FIG. 6 is a side elevational view thereof from the left of FIG. 2.

The portions of the article in broken lines are shown for illustrative purposes only and form no part of the claimed design.

**1 Claim, 3 Drawing Sheets**

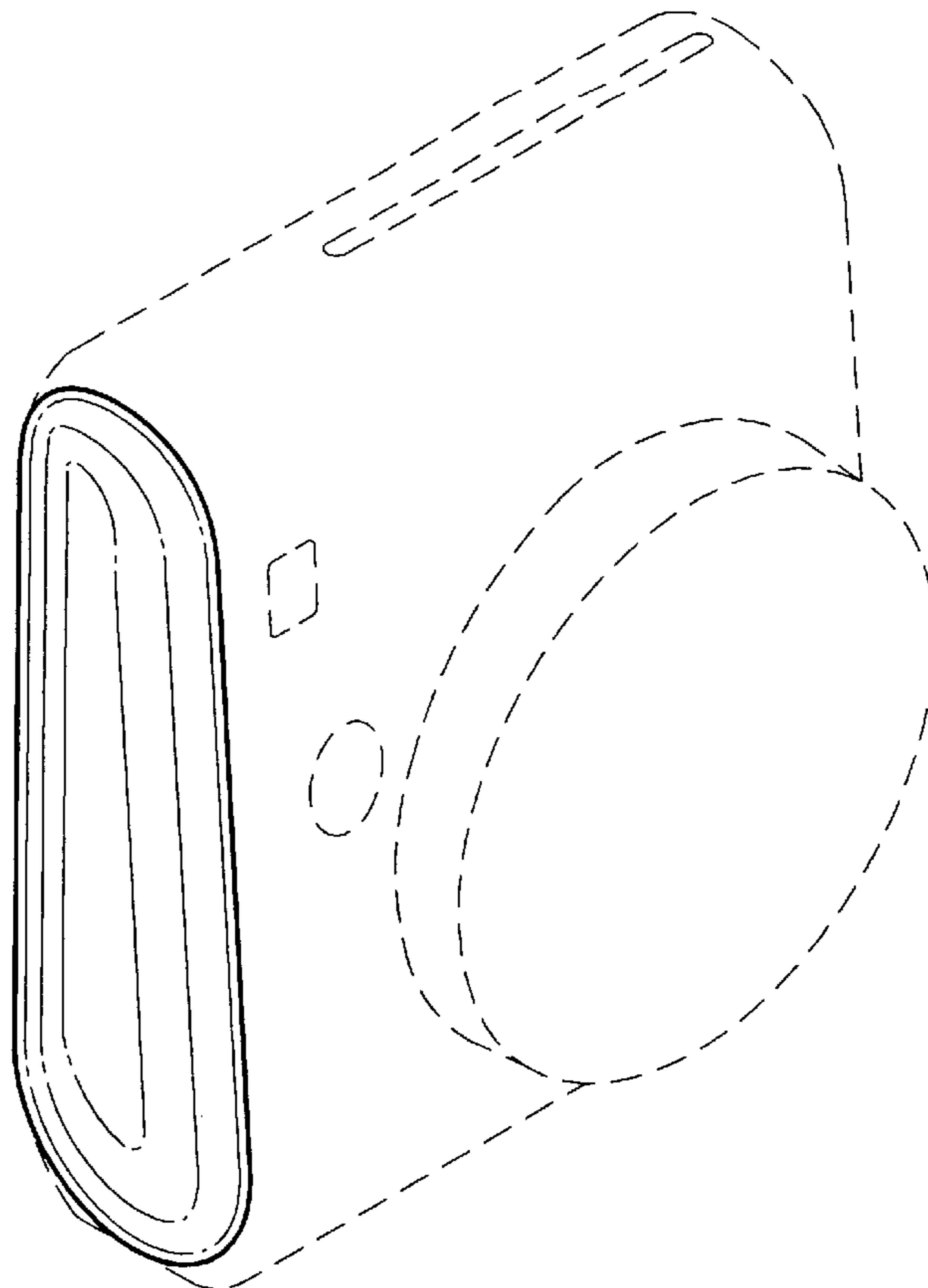


FIG. 1

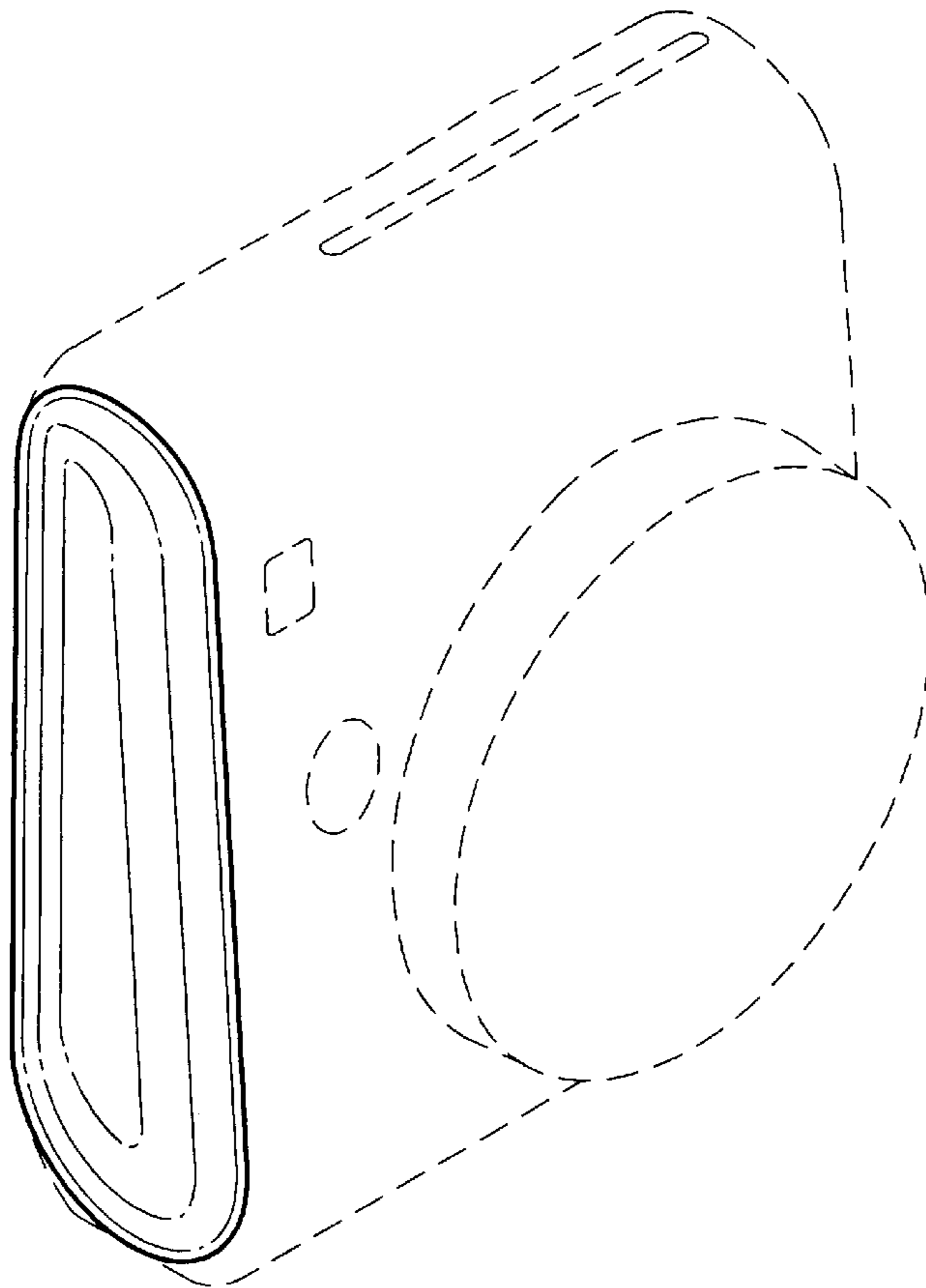


FIG. 2

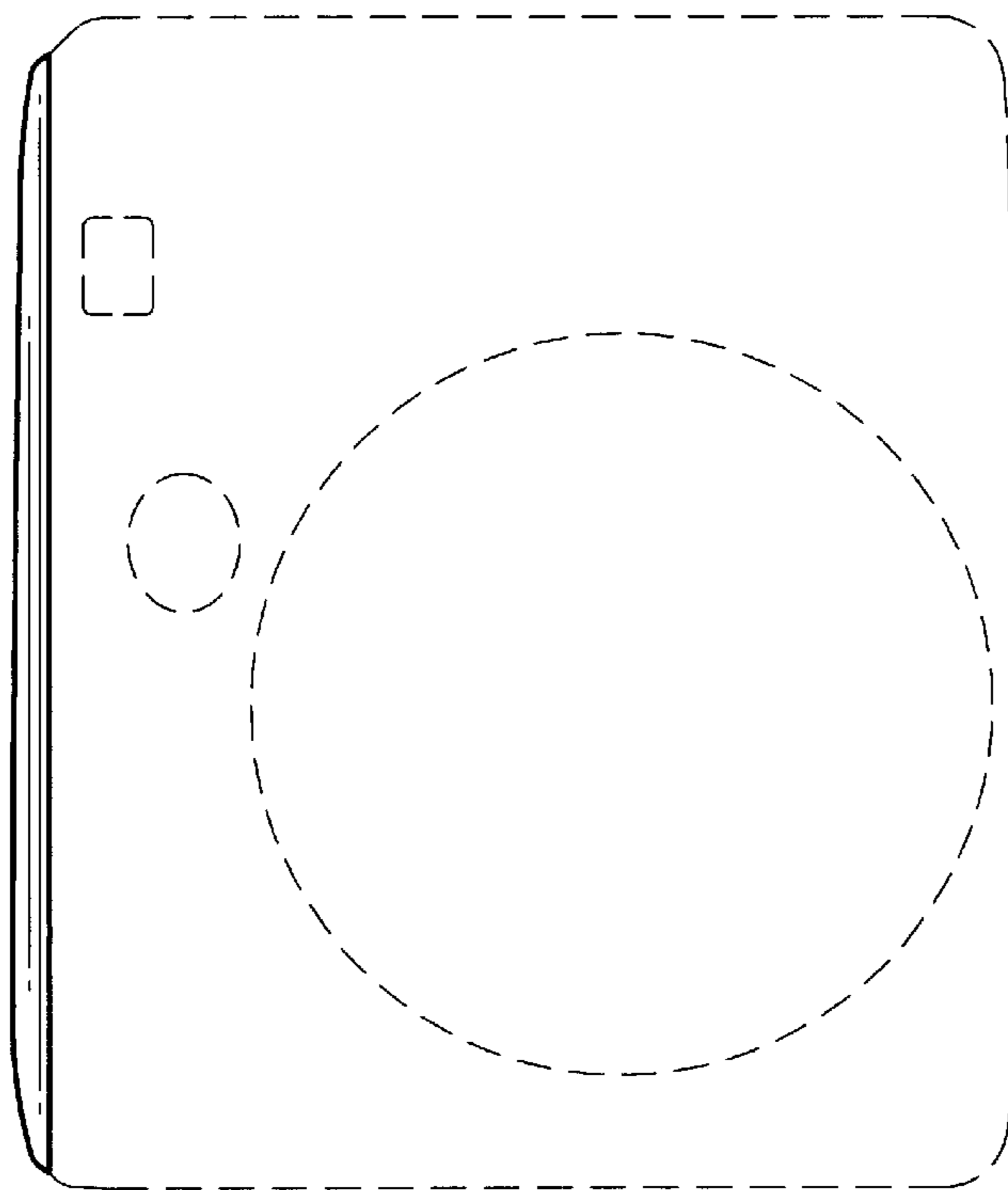


FIG. 3

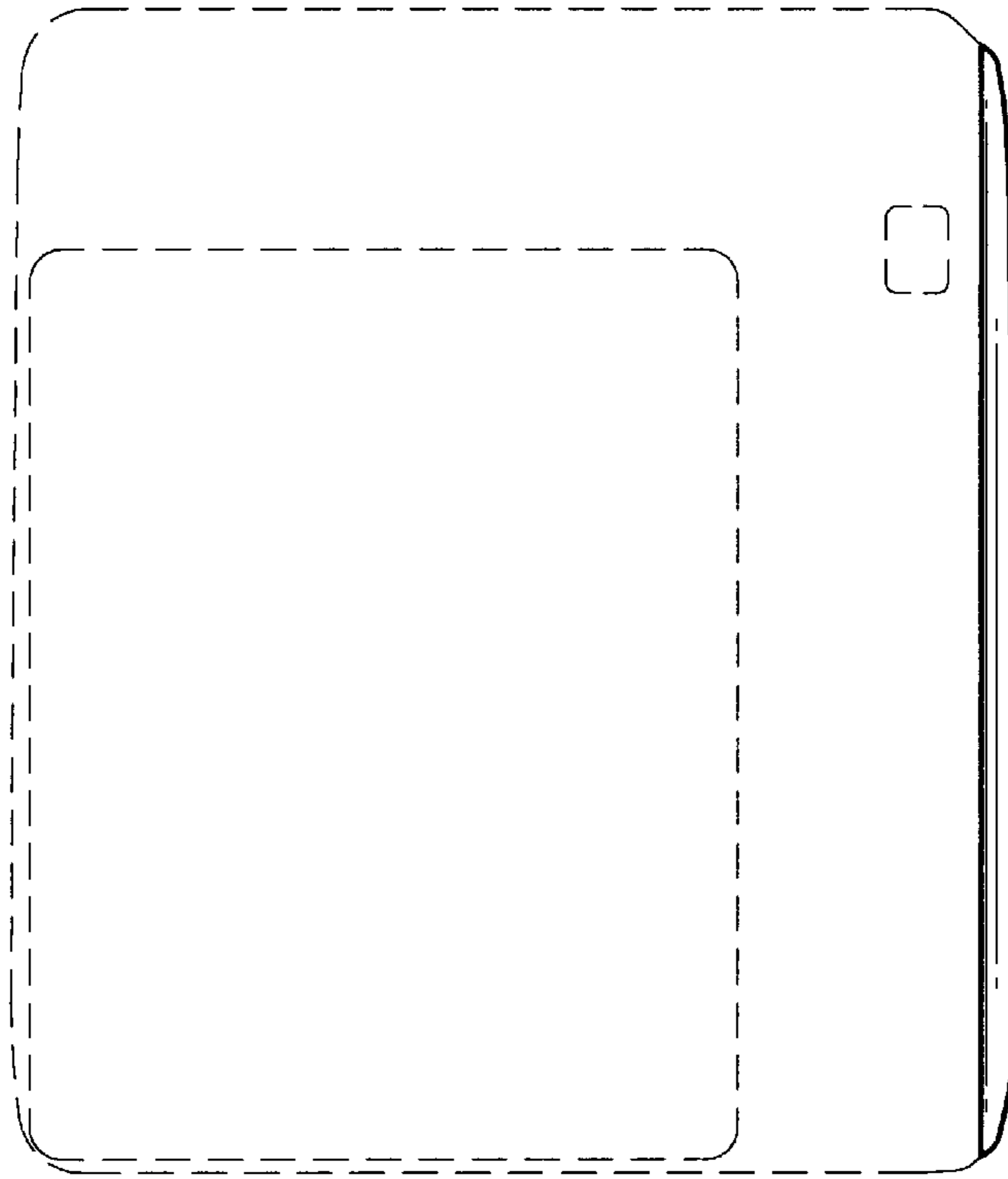


FIG. 4

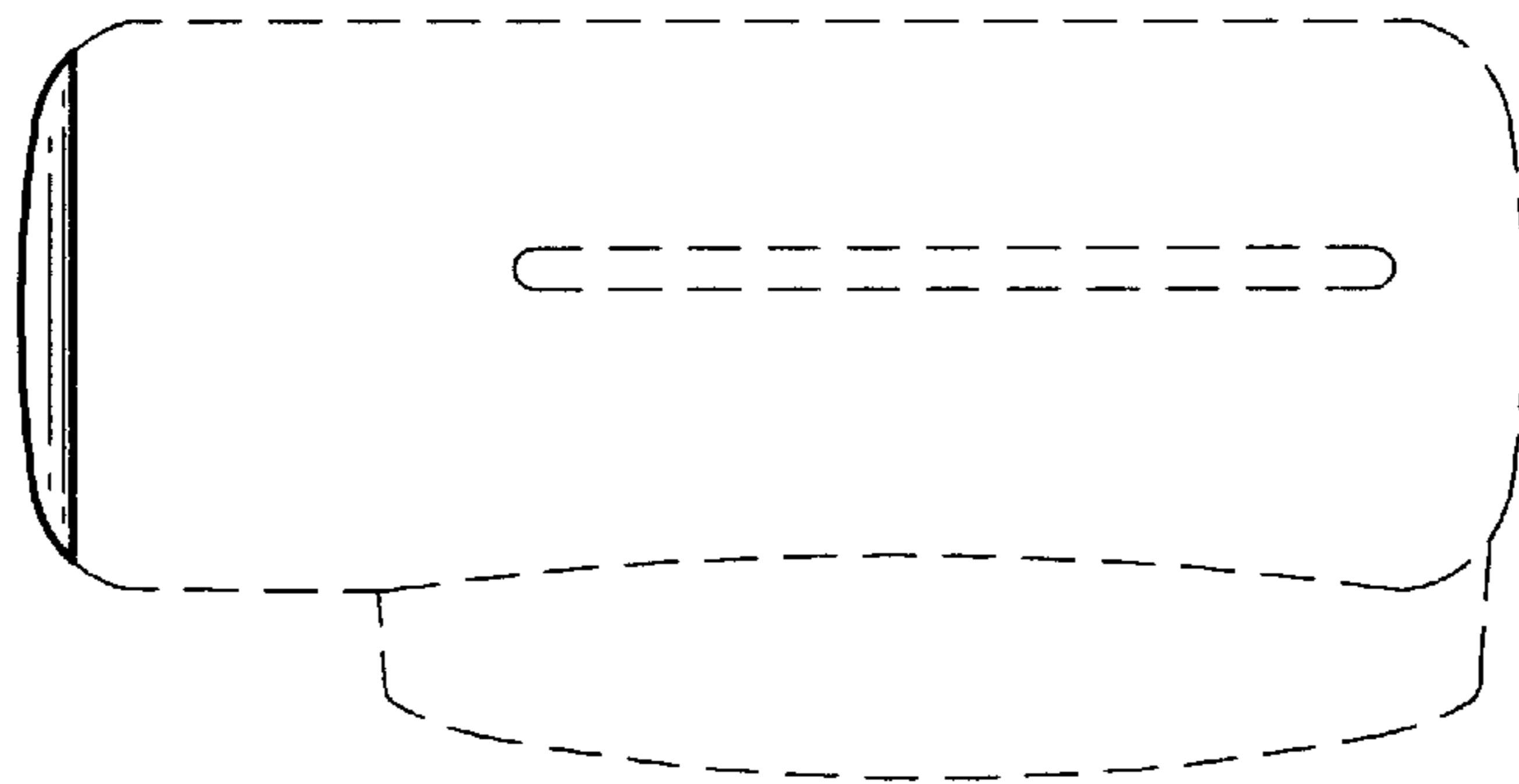


FIG. 5

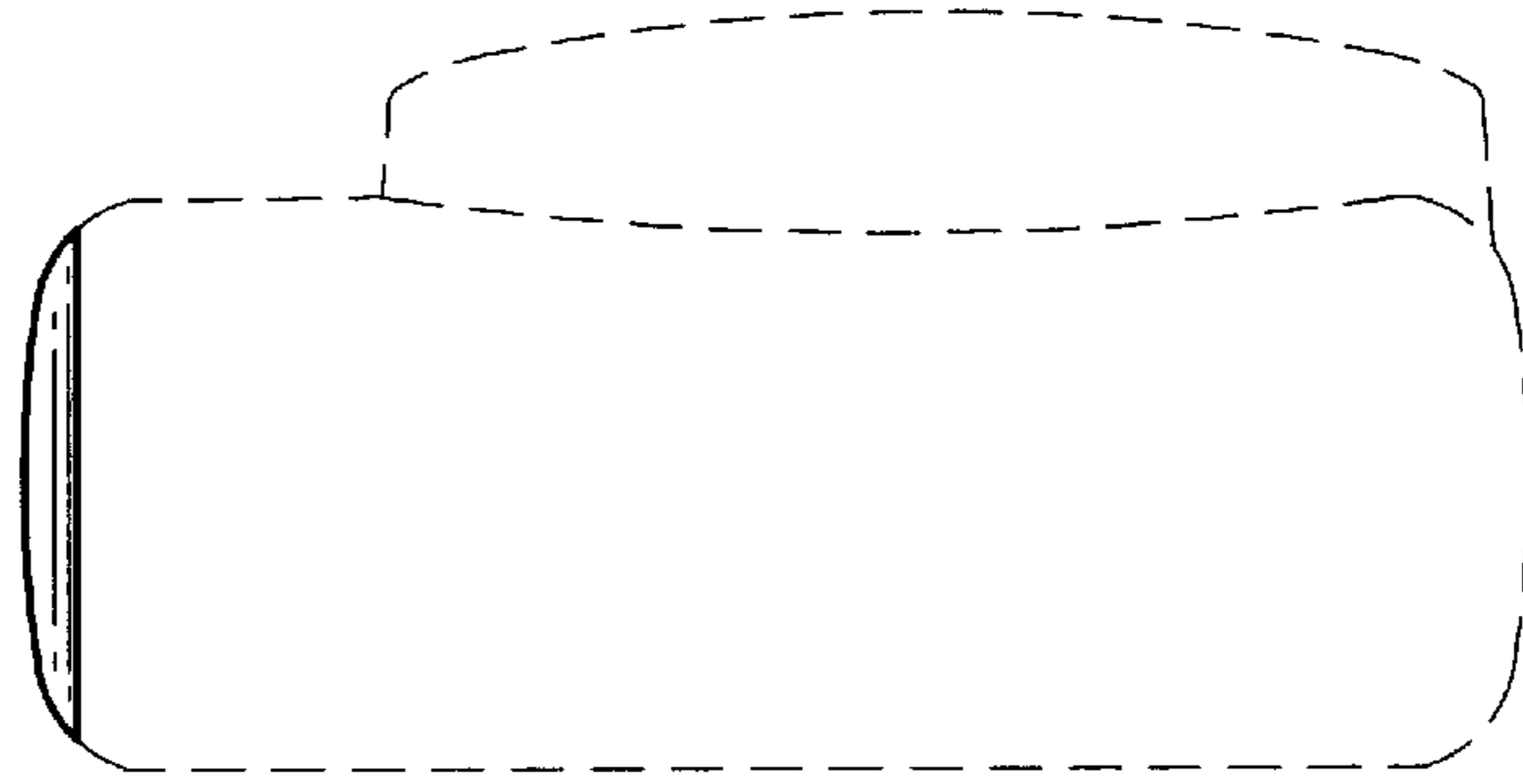


FIG. 6

