



US00D484165S

(12) **United States Design Patent**
Ogura

(10) **Patent No.:** **US D484,165 S**

(45) **Date of Patent:** **** Dec. 23, 2003**

(54) **DIGITAL CAMERA**

D471,576 S * 3/2003 Nasu D16/219

(75) Inventor: **Ryosuke Ogura**, Tokyo (JP)

FOREIGN PATENT DOCUMENTS

(73) Assignee: **Fuji Photo Film Co., Ltd.**, Kanagawa (JP)

JP 1095991 * 1/2001

(**) Term: **14 Years**

* cited by examiner

Primary Examiner—Adir Aronovich

(21) Appl. No.: **29/176,758**

(74) *Attorney, Agent, or Firm*—Young & Thompson

(22) Filed: **Feb. 28, 2003**

(57) **CLAIM**

(30) **Foreign Application Priority Data**

The ornamental design for a digital camera, as shown and described.

Oct. 18, 2002 (JP) 2002-028457

DESCRIPTION

(51) **LOC (7) Cl.** **16-05**

FIG. 1 is a front, top and side perspective view of a digital camera showing my new design;

(52) **U.S. Cl.** **D16/219; D16/202**

FIG. 2 is a rear elevational view thereof;

(58) **Field of Search** D16/200–205,
D16/208, 218, 219; 348/373–376; 358/906,
909.1; 396/535–541

FIG. 3 is a top plan view thereof;

FIG. 4 is a bottom plan view thereof;

FIG. 5 is a side elevational view thereof from the left of FIG. 2;

(56) **References Cited**

FIG. 6 is a side elevational view thereof from the right of FIG. 2; and,

U.S. PATENT DOCUMENTS

D334,760 S 4/1993 Ina et al. D16/202
D396,051 S * 7/1998 Mori D16/202
D401,257 S * 11/1998 Iino D16/202
D446,800 S * 8/2001 Fukushima et al. D16/202
D463,809 S * 10/2002 Lo D16/202
D464,365 S * 10/2002 Su D16/202

FIG. 7 is a rear, top and side perspective view thereof.

The portions of the digital camera in broken lines are shown for illustrative purposes only and form no part of the claimed design.

1 Claim, 4 Drawing Sheets

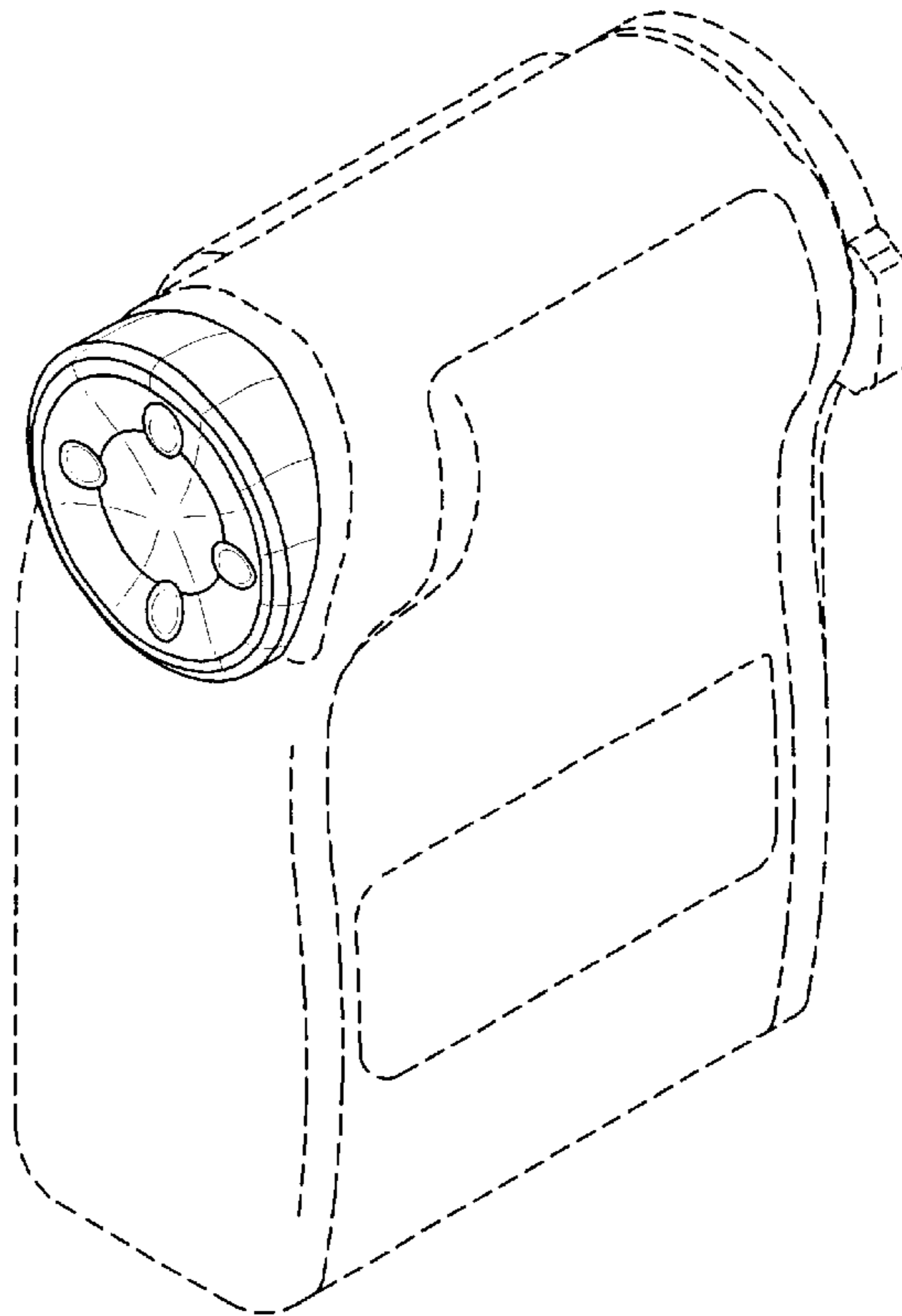


FIG. 1

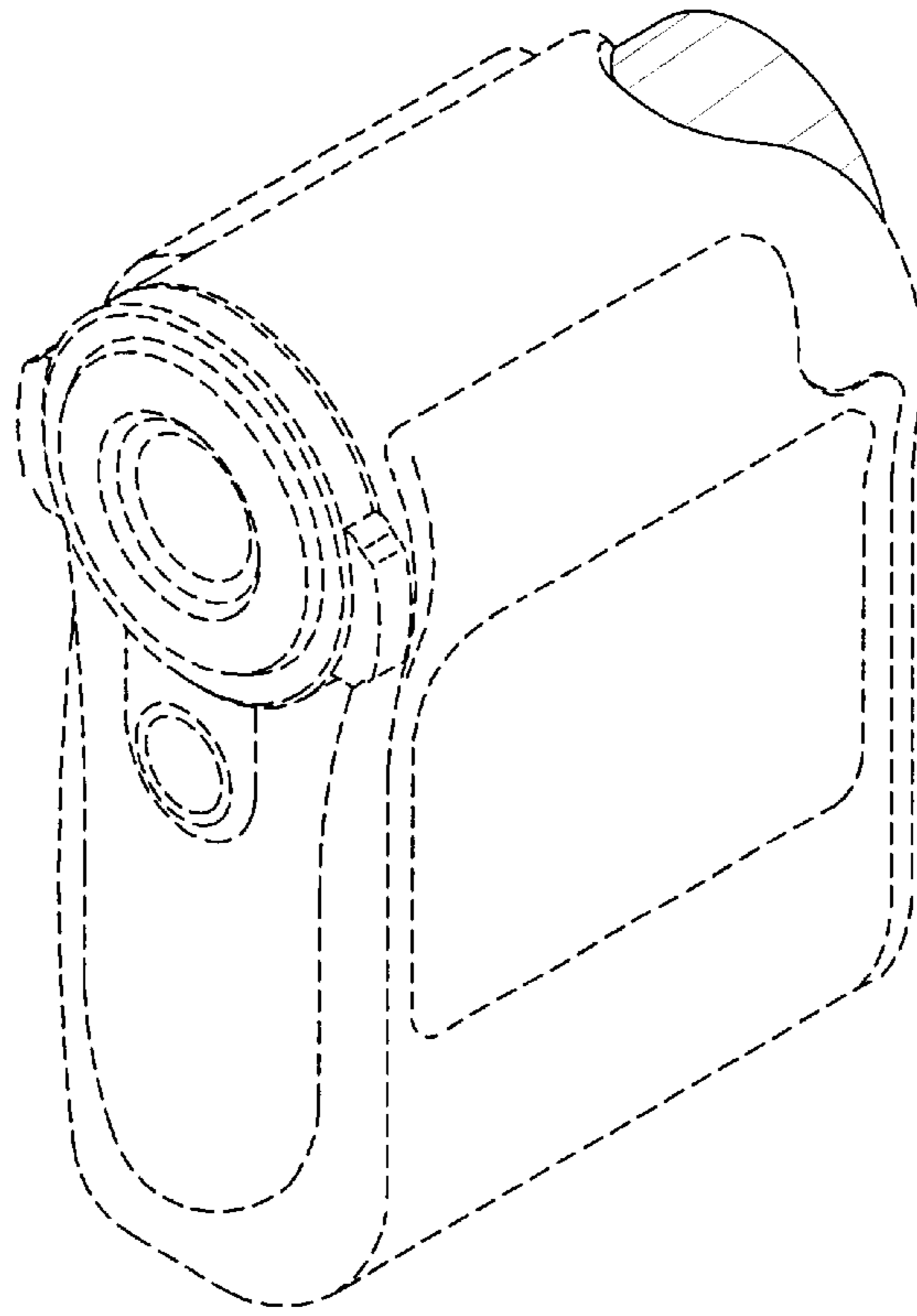


FIG. 2

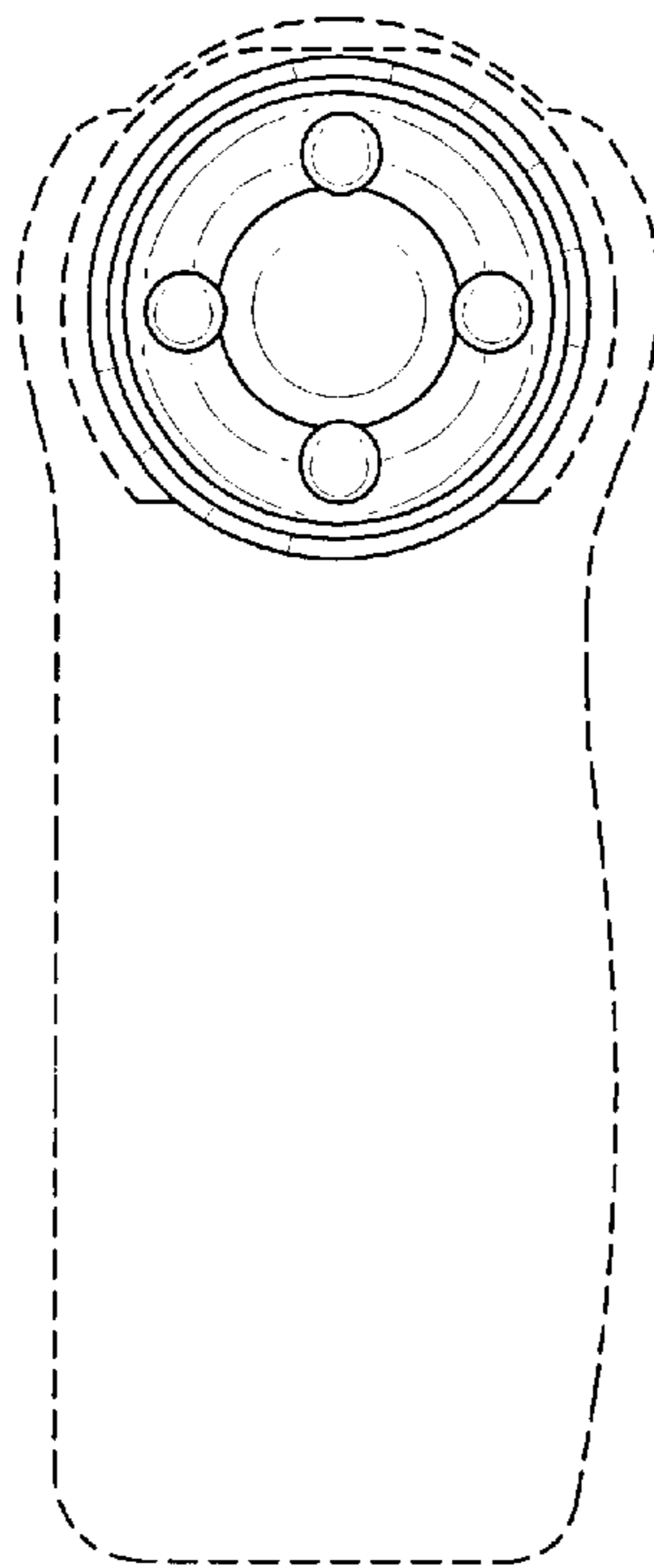


FIG.3

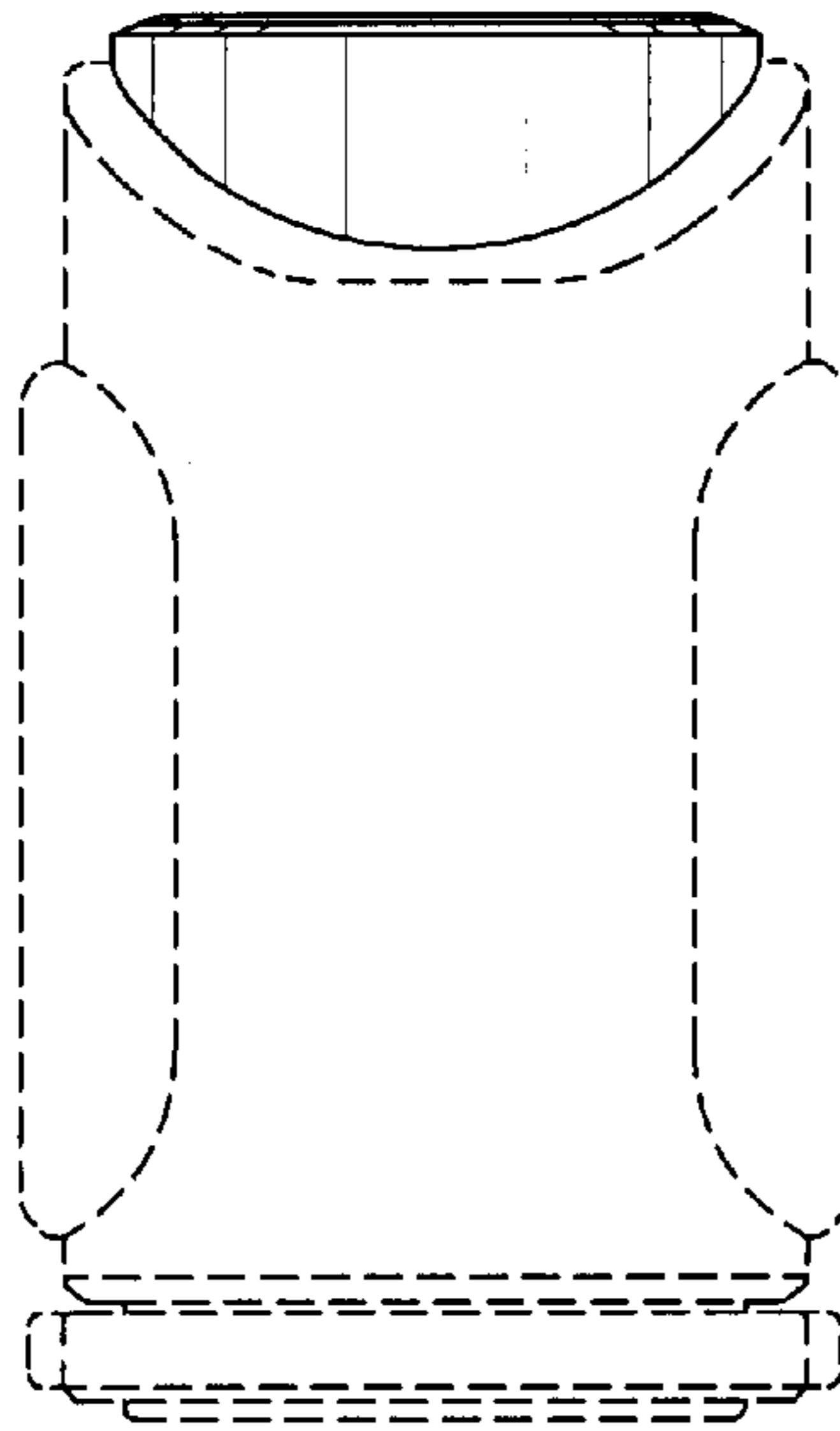


FIG.4

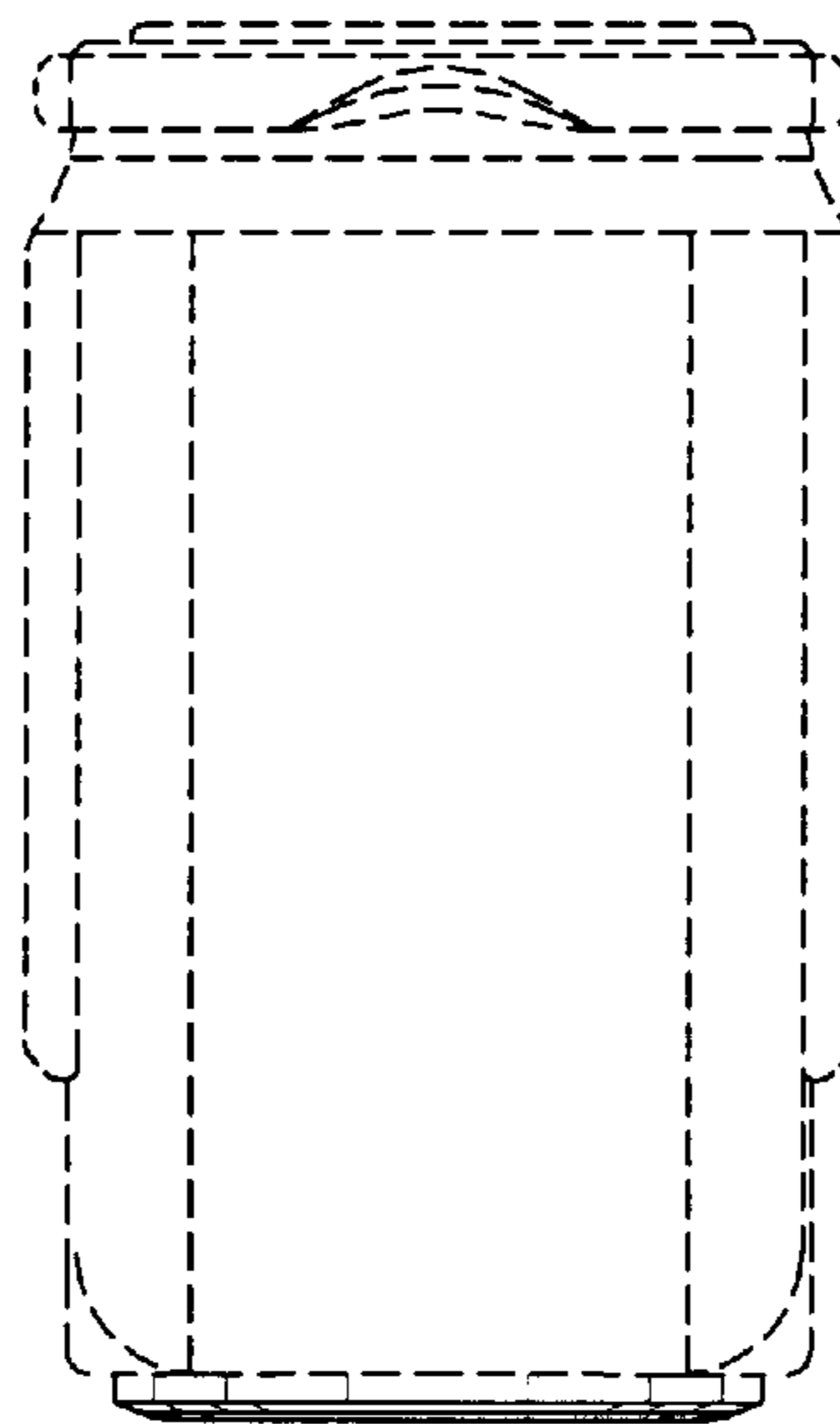


FIG.5

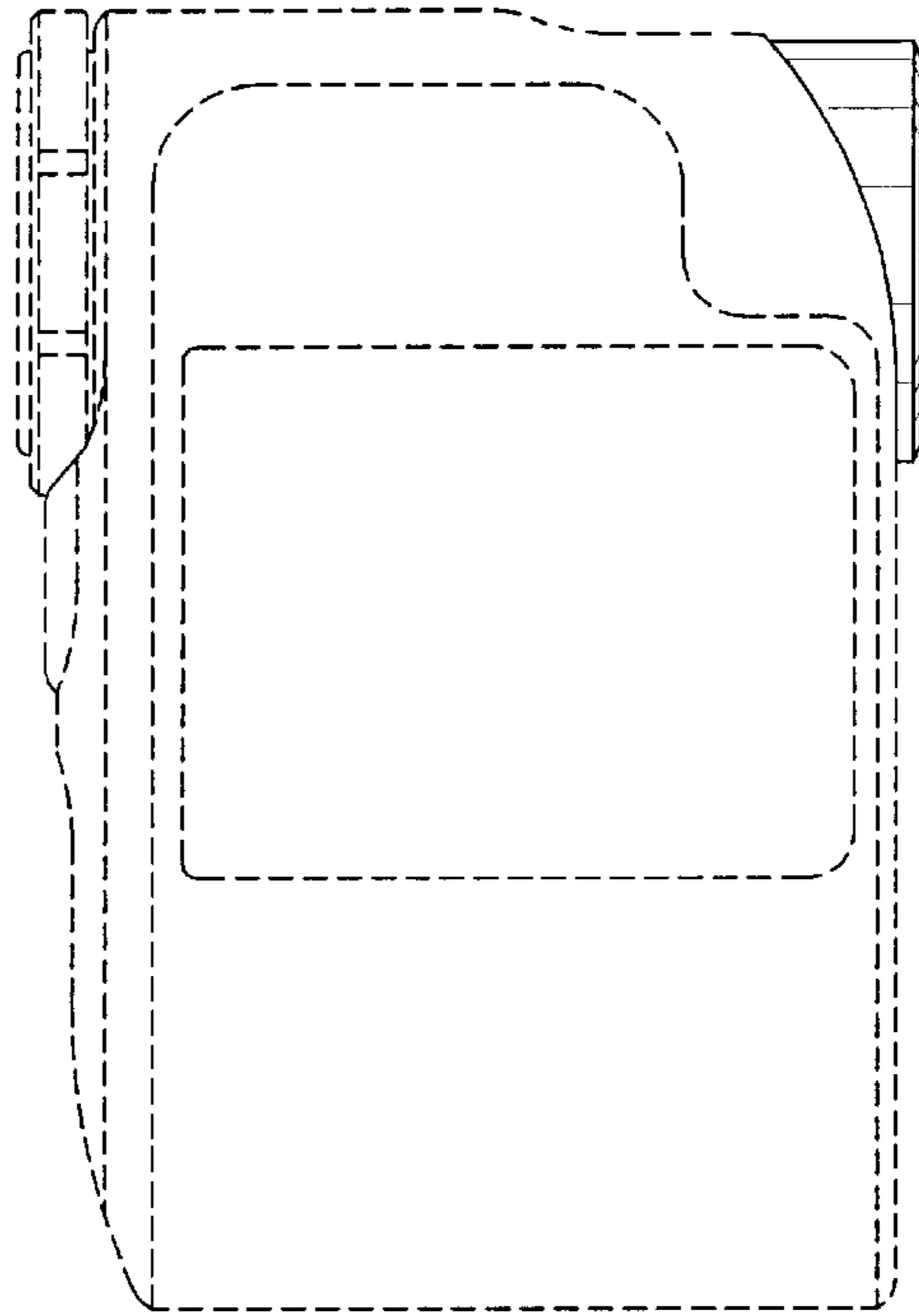


FIG.6

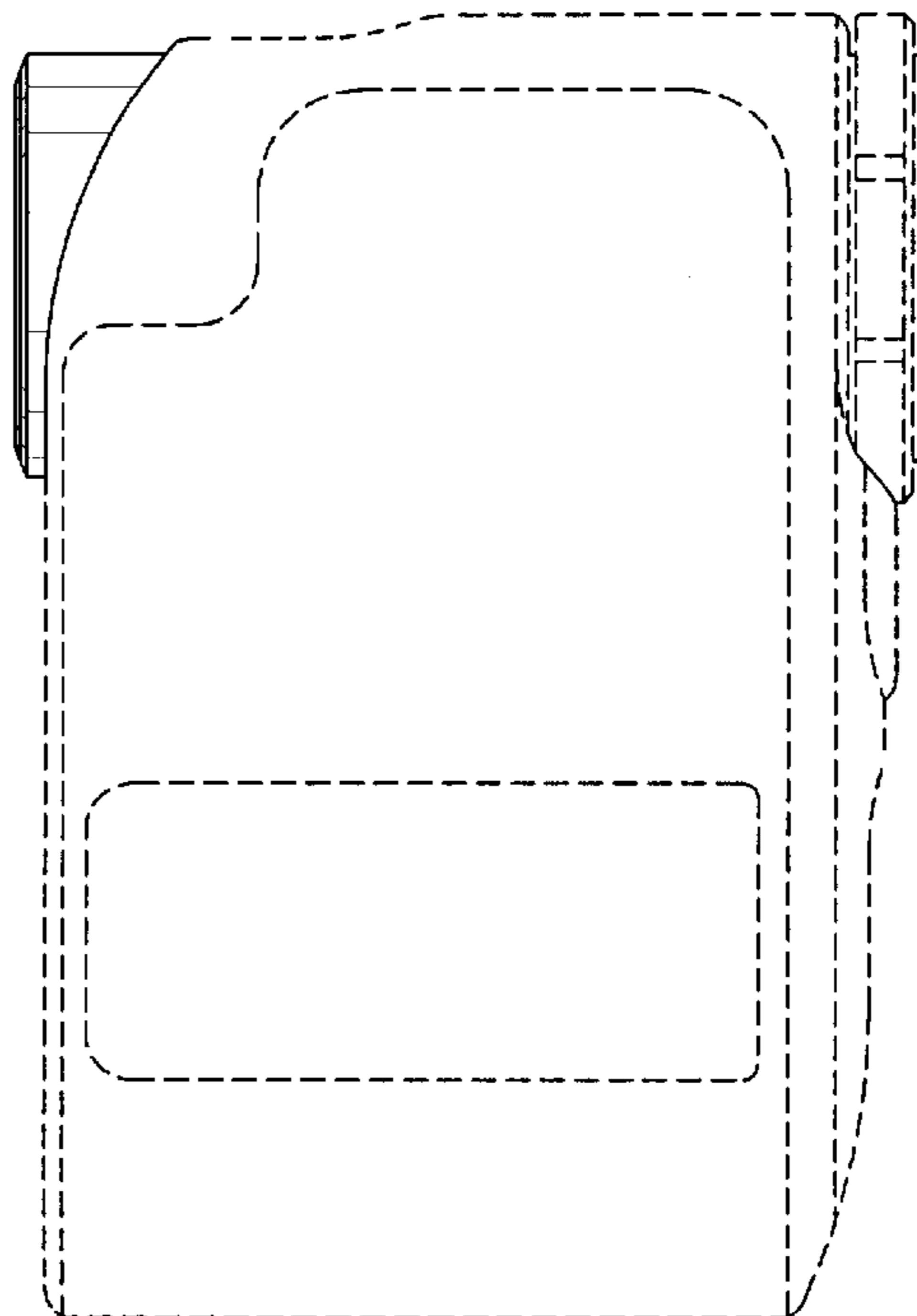


FIG. 7

