



US00D484164S

(12) **United States Design Patent**
Ogura

(10) **Patent No.:** **US D484,164 S**

(45) **Date of Patent:** **** Dec. 23, 2003**

(54) **DIGITAL CAMERA**

(75) Inventor: **Ryosuke Ogura**, Tokyo (JP)

(73) Assignee: **Fuji Photo Film Co., Ltd.**, Kanagawa (JP)

(**) Term: **14 Years**

(21) Appl. No.: **29/176,757**

(22) Filed: **Feb. 28, 2003**

(30) **Foreign Application Priority Data**

Oct. 18, 2002 (JP) 2002-028458

(51) **LOC (7) Cl.** **16-05**

(52) **U.S. Cl.** **D16/219; D16/202**

(58) **Field of Search** D16/200-205,
D16/208, 218, 219; 348/373-376; 358/906,
909.1; 396/535-541

(56) **References Cited**

U.S. PATENT DOCUMENTS

D334,760 S	4/1993	Ina et al.	D16/202
D407,097 S	* 3/1999	Suzuki et al.	D16/202
D412,003 S	* 7/1999	Sumida et al.	D16/202
D463,469 S	* 9/2002	Kawase	D16/202

D467,958 S	* 12/2002	Senda et al.	D16/219
D469,793 S	* 2/2003	Onoda et al.	D16/202
D469,794 S	* 2/2003	Onoda et al.	D16/202
D475,381 S	* 6/2003	Komatsu	D16/202

* cited by examiner

Primary Examiner—Adir Aronovich

(74) *Attorney, Agent, or Firm*—Young & Thompson

(57) **CLAIM**

The ornamental design for a digital camera, as shown and described.

DESCRIPTION

FIG. 1 is a front, top and side perspective view of a digital camera showing my new design;
FIG. 2 is a front elevational view thereof;
FIG. 3 is a top plan view thereof;
FIG. 4 is a bottom plan view thereof;
FIG. 5 is a side elevational view thereof from the right of FIG. 2; and,
FIG. 6 is a side elevational view thereof from the left of FIG. 2.

The portions of the digital camera in broken lines are shown for illustrative purposes only and form no part of the claimed design.

1 Claim, 3 Drawing Sheets

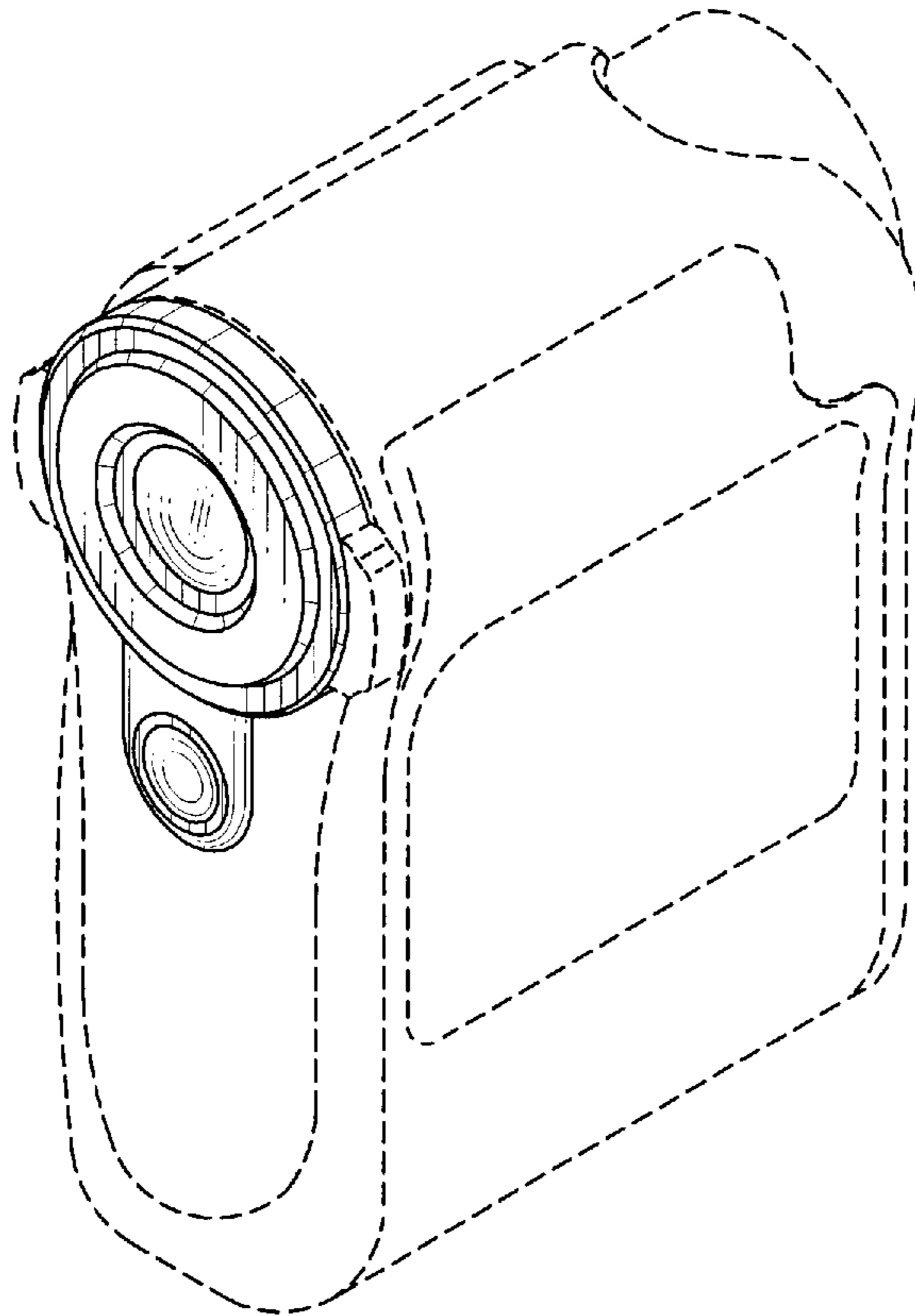


FIG. 1

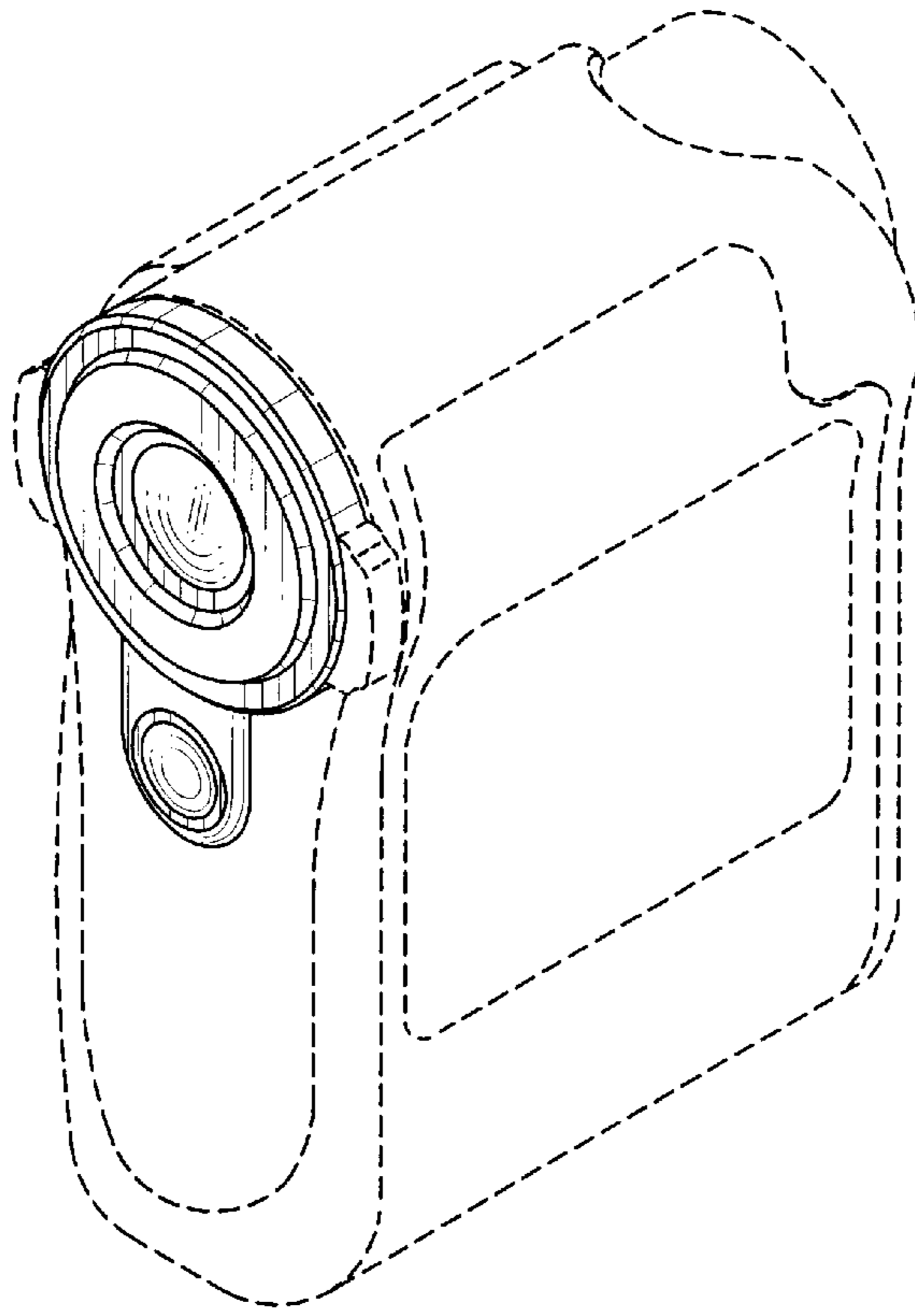


FIG. 2

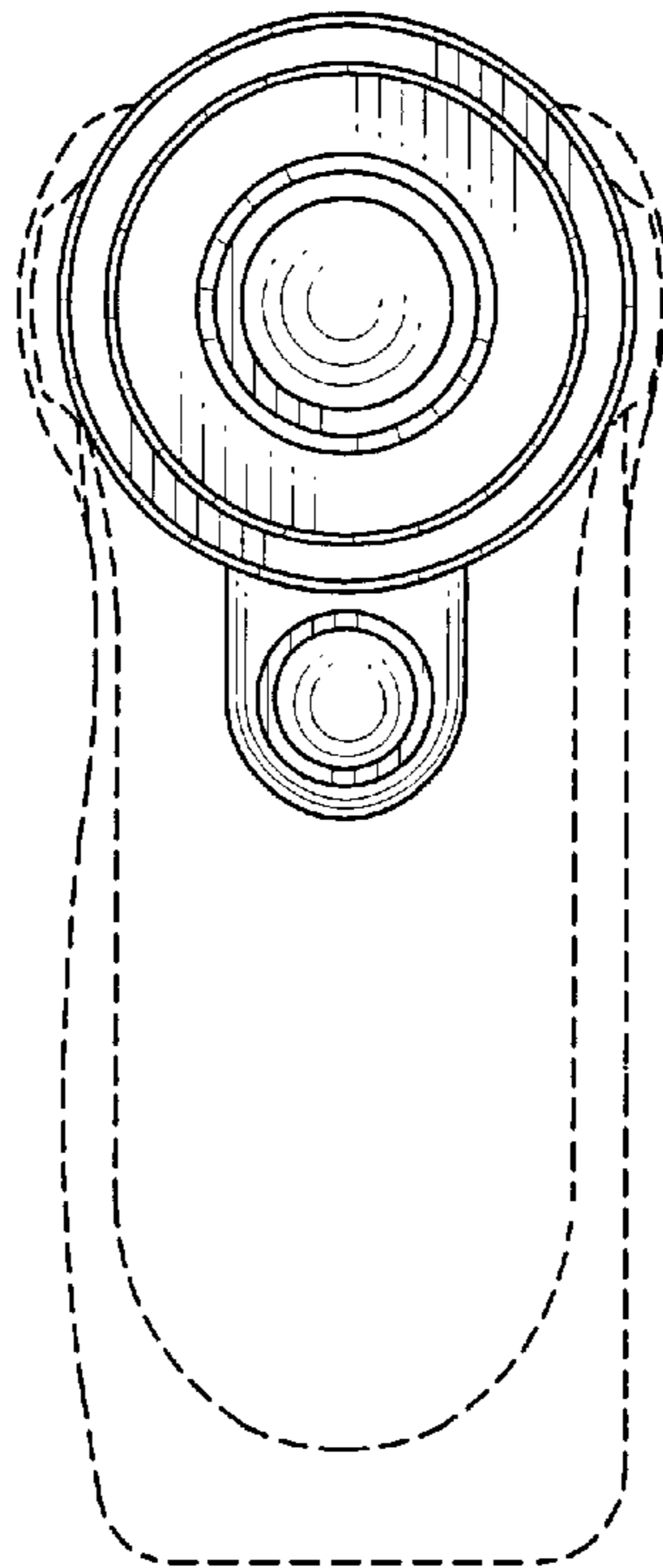


FIG.3

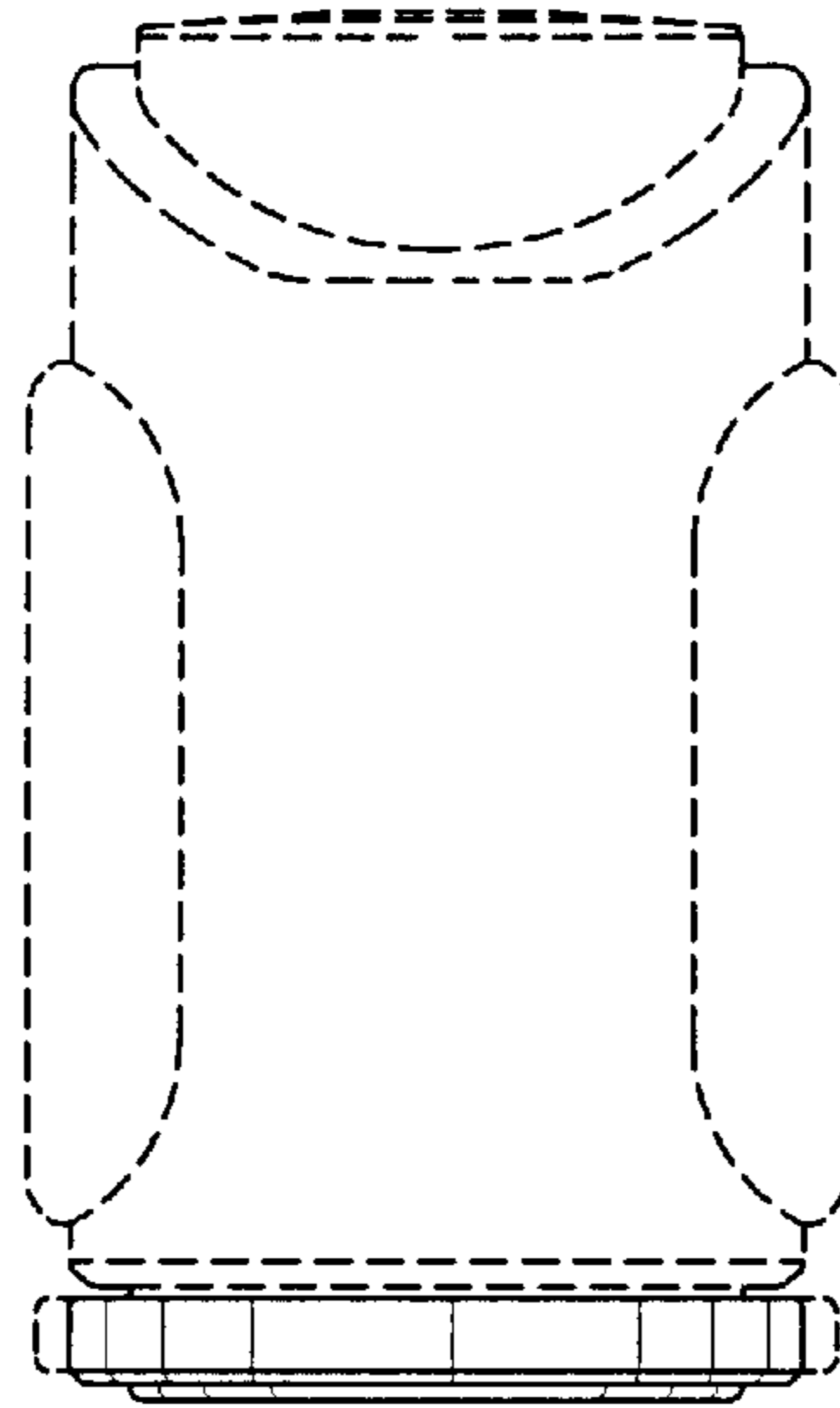


FIG.4

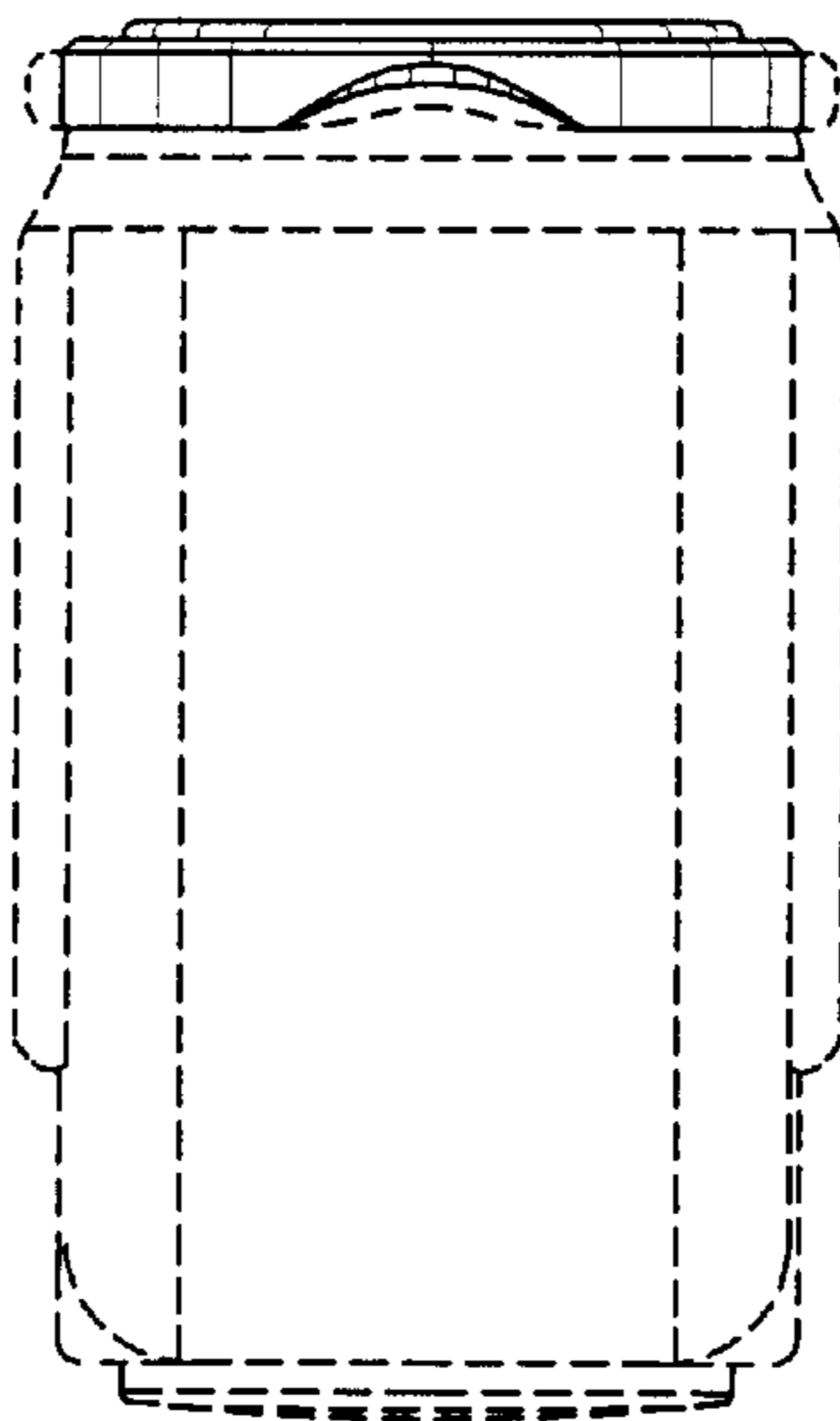


FIG.5

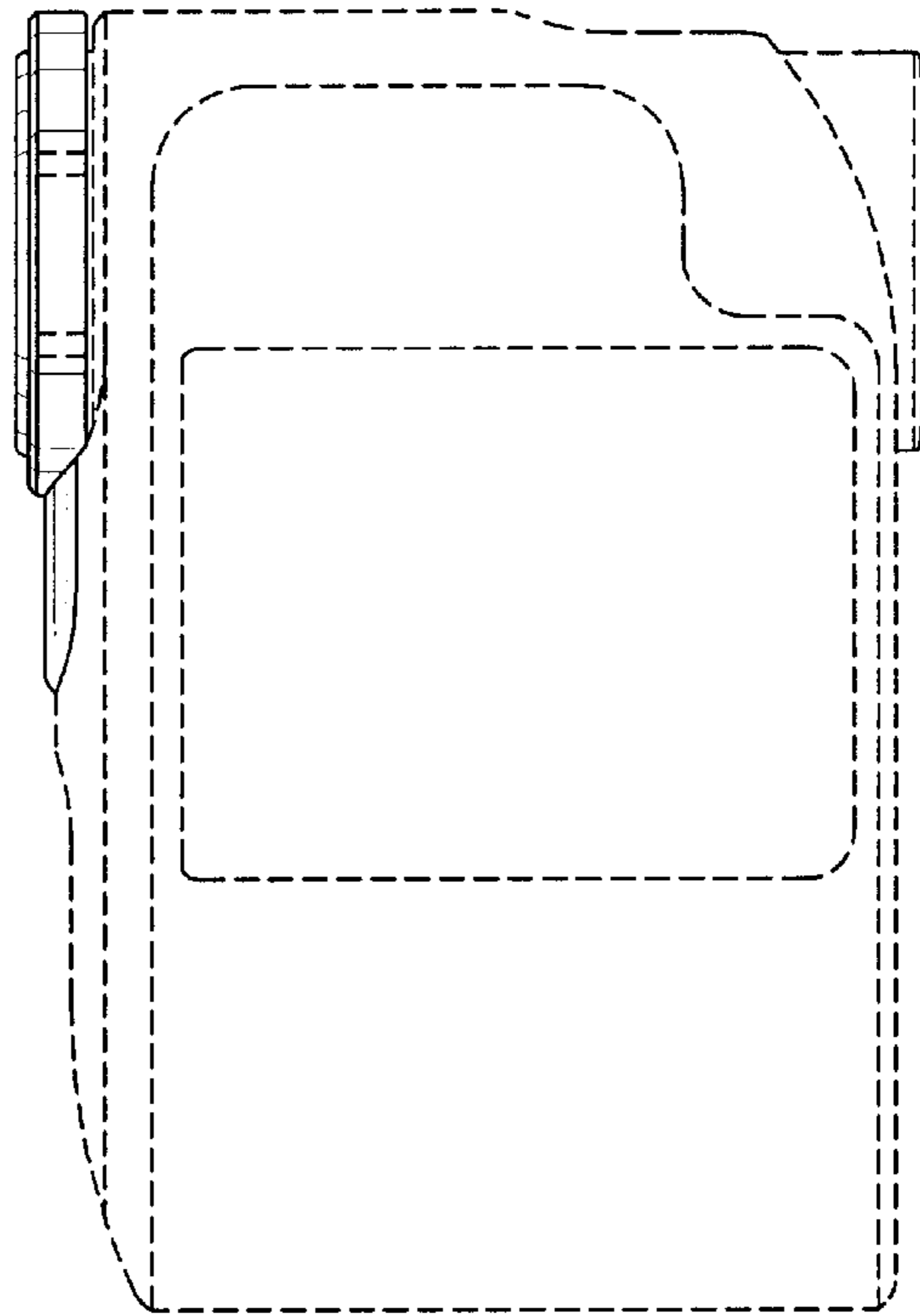


FIG.6

