



US00D484162S

(12) **United States Design Patent**
Moore et al.

(10) **Patent No.:** **US D484,162 S**

(45) **Date of Patent:** **** Dec. 23, 2003**

(54) **CAMERA**

(75) Inventors: **Shelley Moore**, Ft. Collins, CO (US);
David K. Campbell, Loveland, CO
(US); **Chien-Hao Liao**, Taipei (TW);
Jung-Pin Tu, Taipei (TW)

(73) Assignee: **Hewlett-Packard Development
Company, L.P.**, Houston, TX (US)

(**) Term: **14 Years**

(21) Appl. No.: **29/178,448**

(22) Filed: **Mar. 26, 2003**

(51) **LOC (7) Cl.** **16-01**

(52) **U.S. Cl.** **D16/218; D16/202; D16/206**

(58) **Field of Search** **D16/200-206,**
D16/208, 217, 218; 348/373-376; 358/909.1;
396/61, 535, 536-541

(56) **References Cited**

U.S. PATENT DOCUMENTS

4,945,372 A * 7/1990 Higuchi et al. 396/61

D425,095 S * 5/2000 Watarai et al. D16/217
D441,001 S * 4/2001 Naito D16/218
D441,778 S * 5/2001 Funakoshi D16/202
D446,532 S * 8/2001 Takahashi D16/202
D467,951 S * 12/2002 Tanaka D16/202
D474,793 S * 5/2003 Yoshida D16/202

* cited by examiner

Primary Examiner—Adir Aronovich

(57) **CLAIM**

The ornamental design of a camera, as shown and described.

DESCRIPTION

FIG. 1 is a perspective view showing our new camera;
FIG. 2 is a front elevational view thereof;
FIG. 3 is a rear elevational view thereof;
FIG. 4 is a right side view thereof;
FIG. 5 is a left side view thereof;
FIG. 6 is a top plan view thereof; and,
FIG. 7 is a bottom plan view thereof.

1 Claim, 4 Drawing Sheets

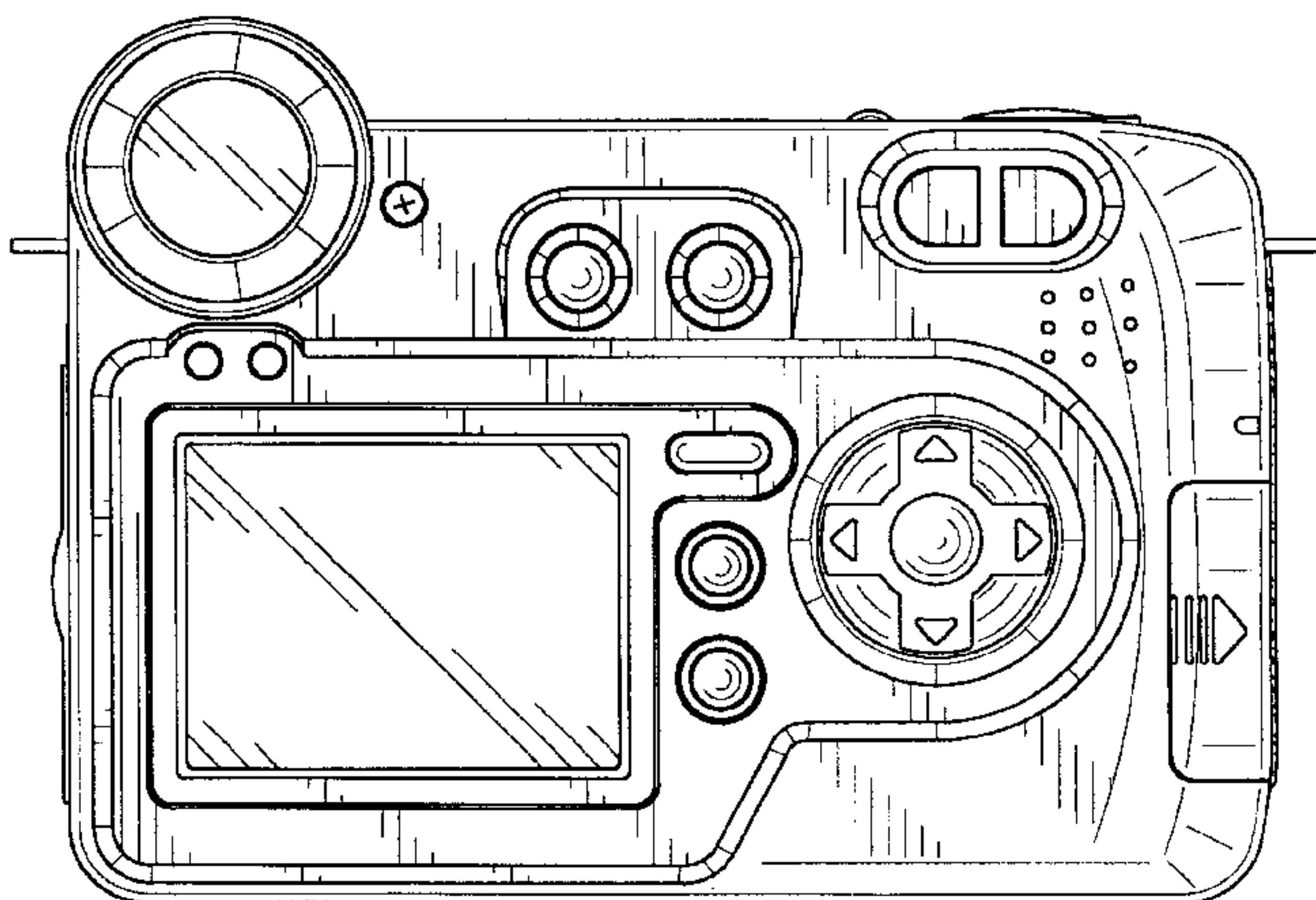
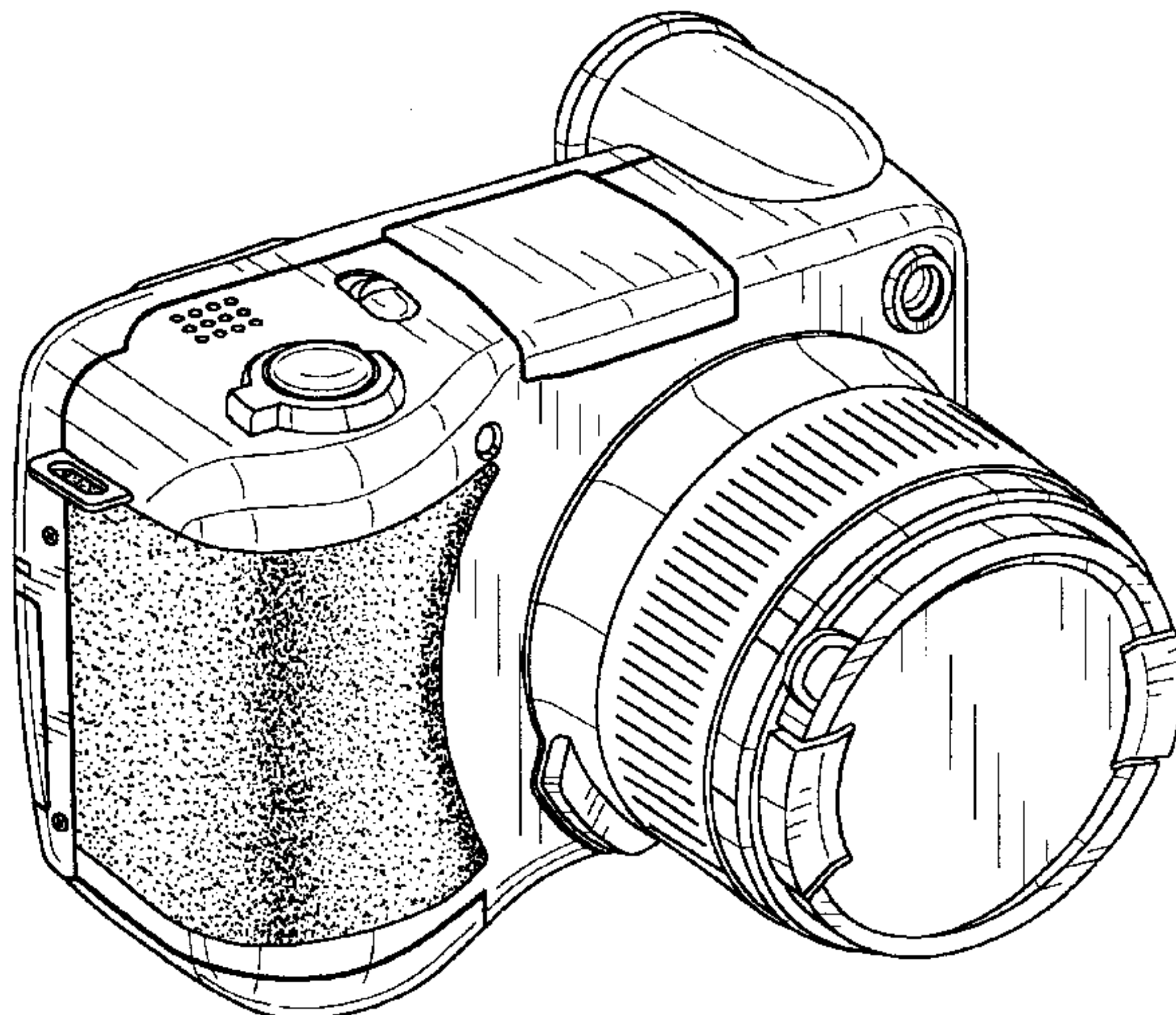


FIG. 1

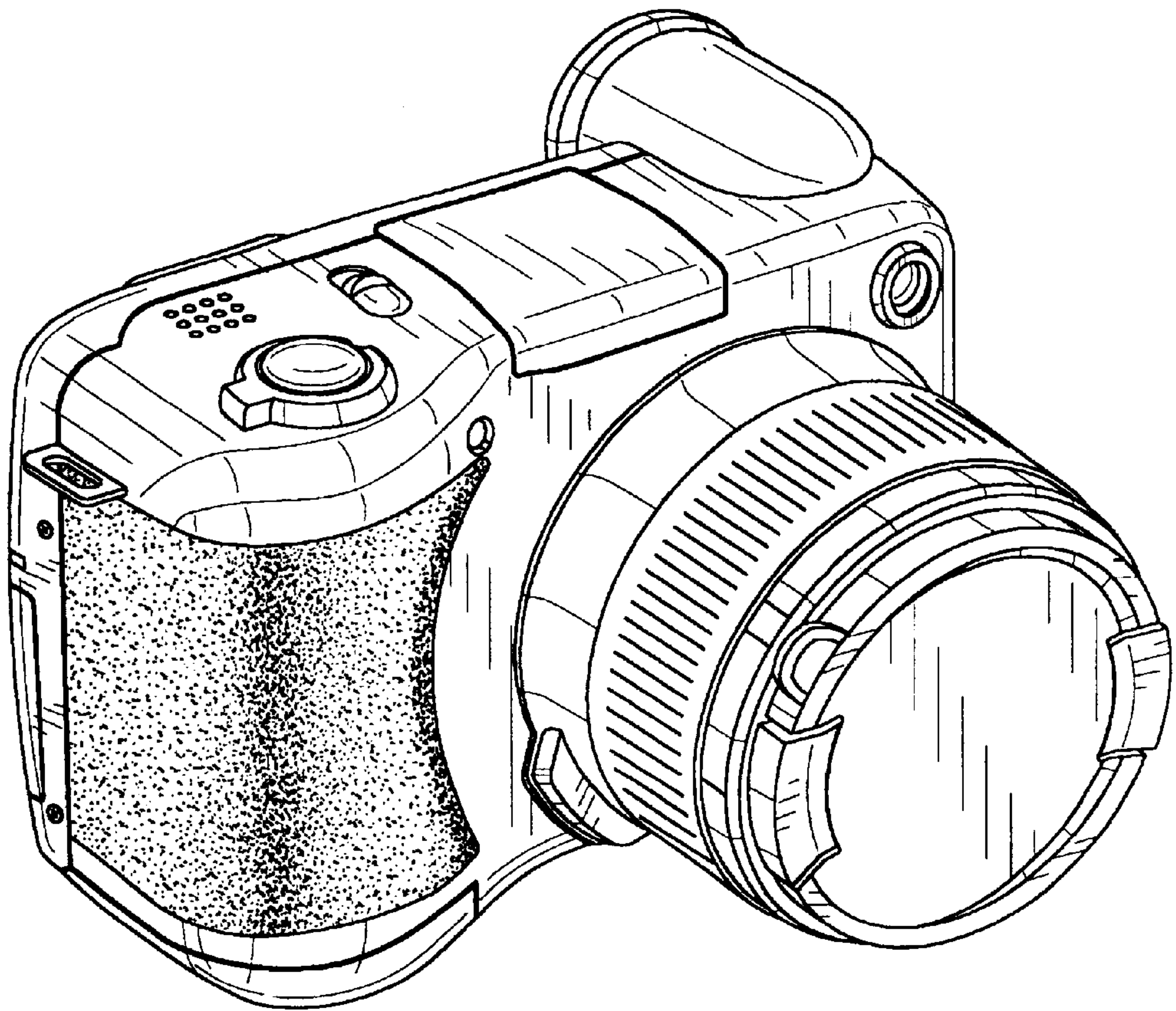


FIG. 2

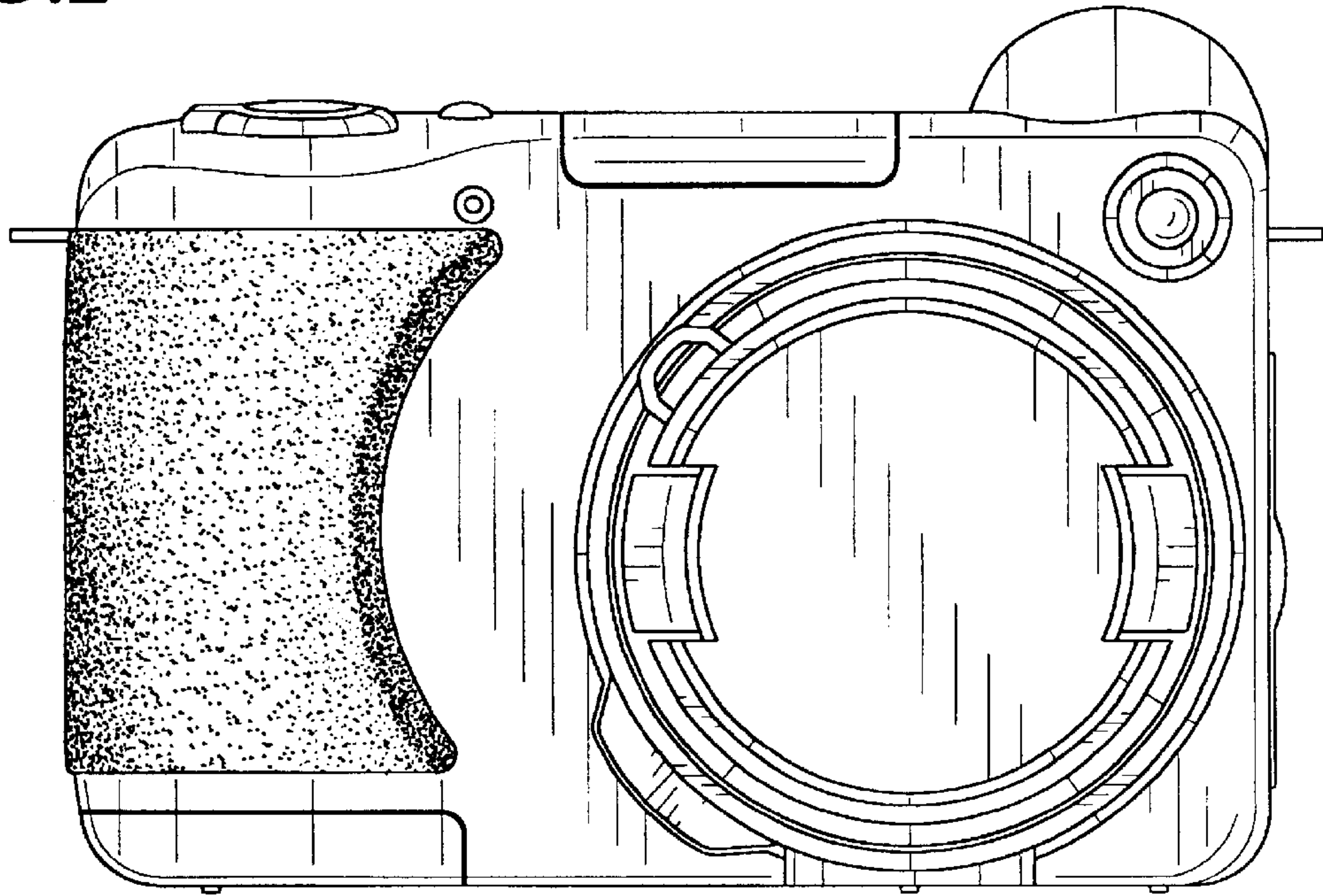


FIG. 3

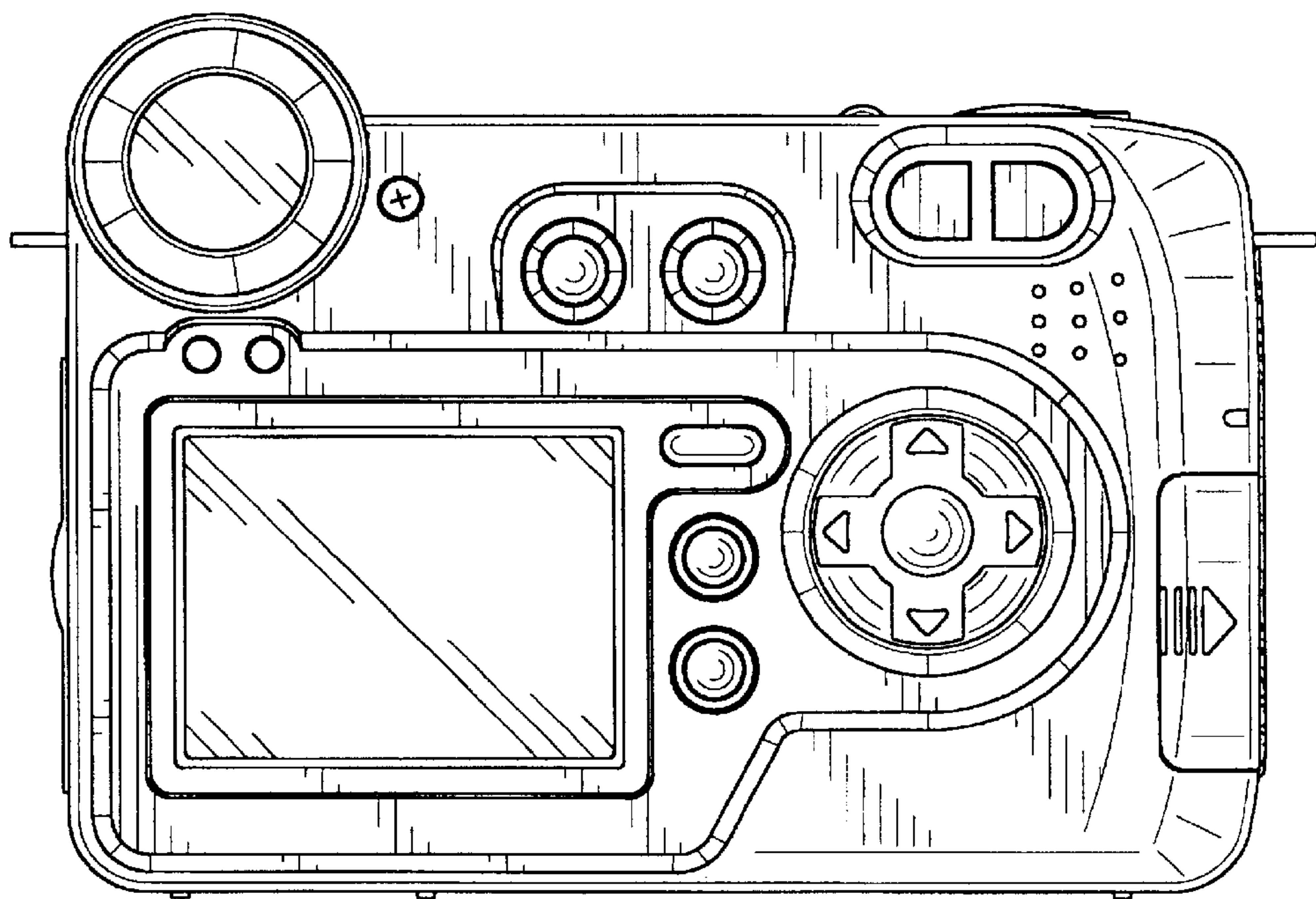


FIG.4

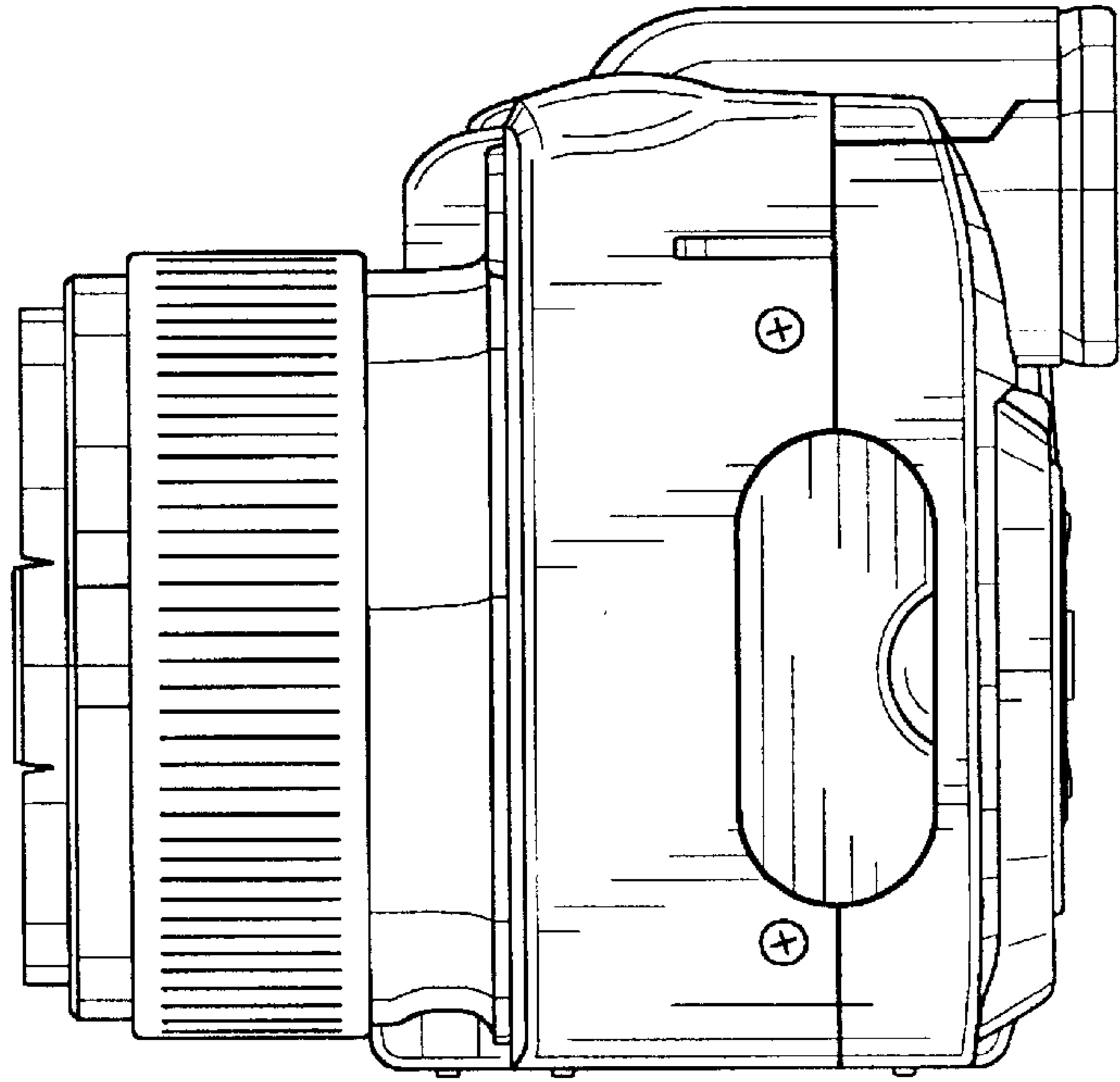


FIG.5

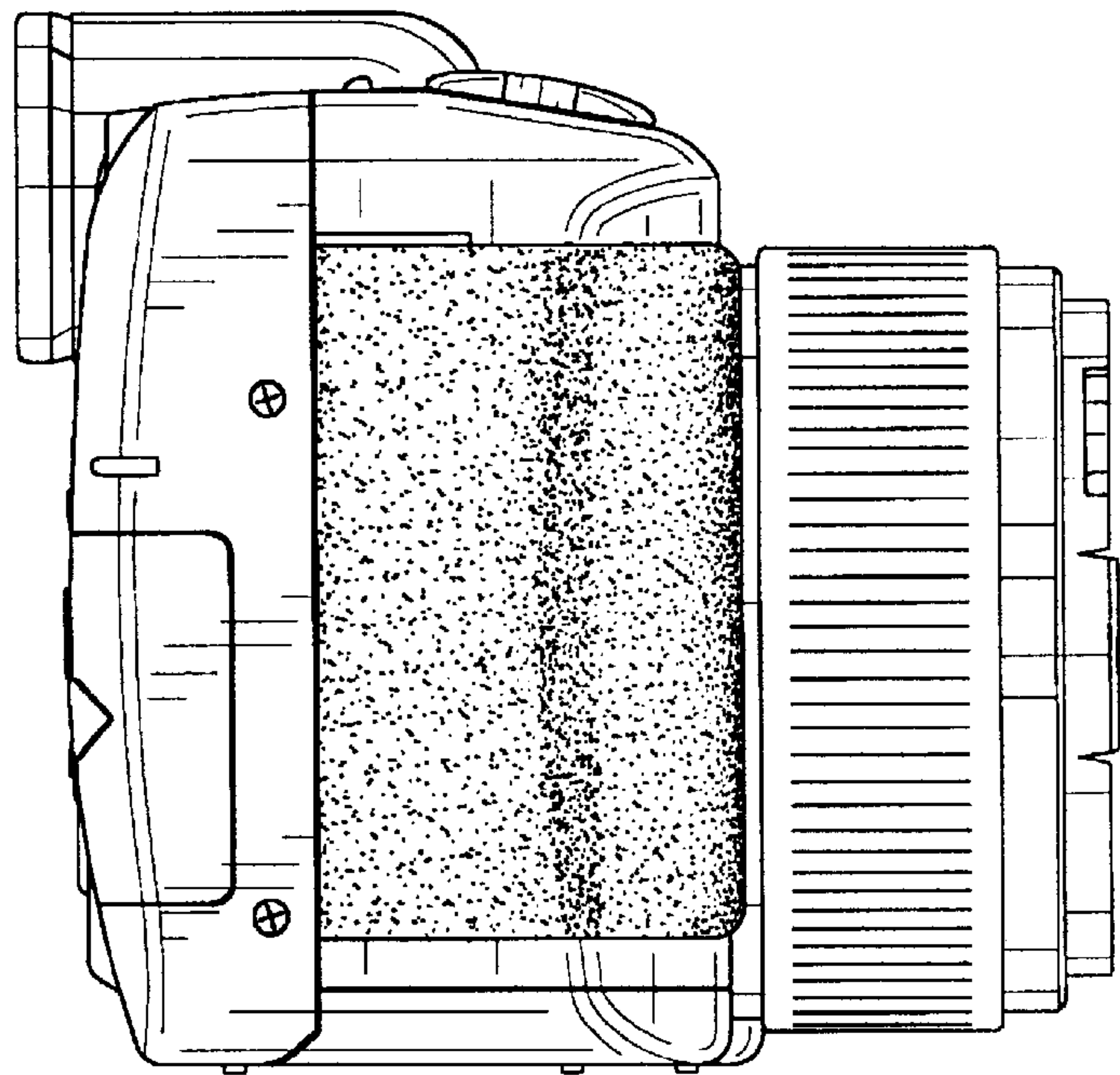


FIG. 6

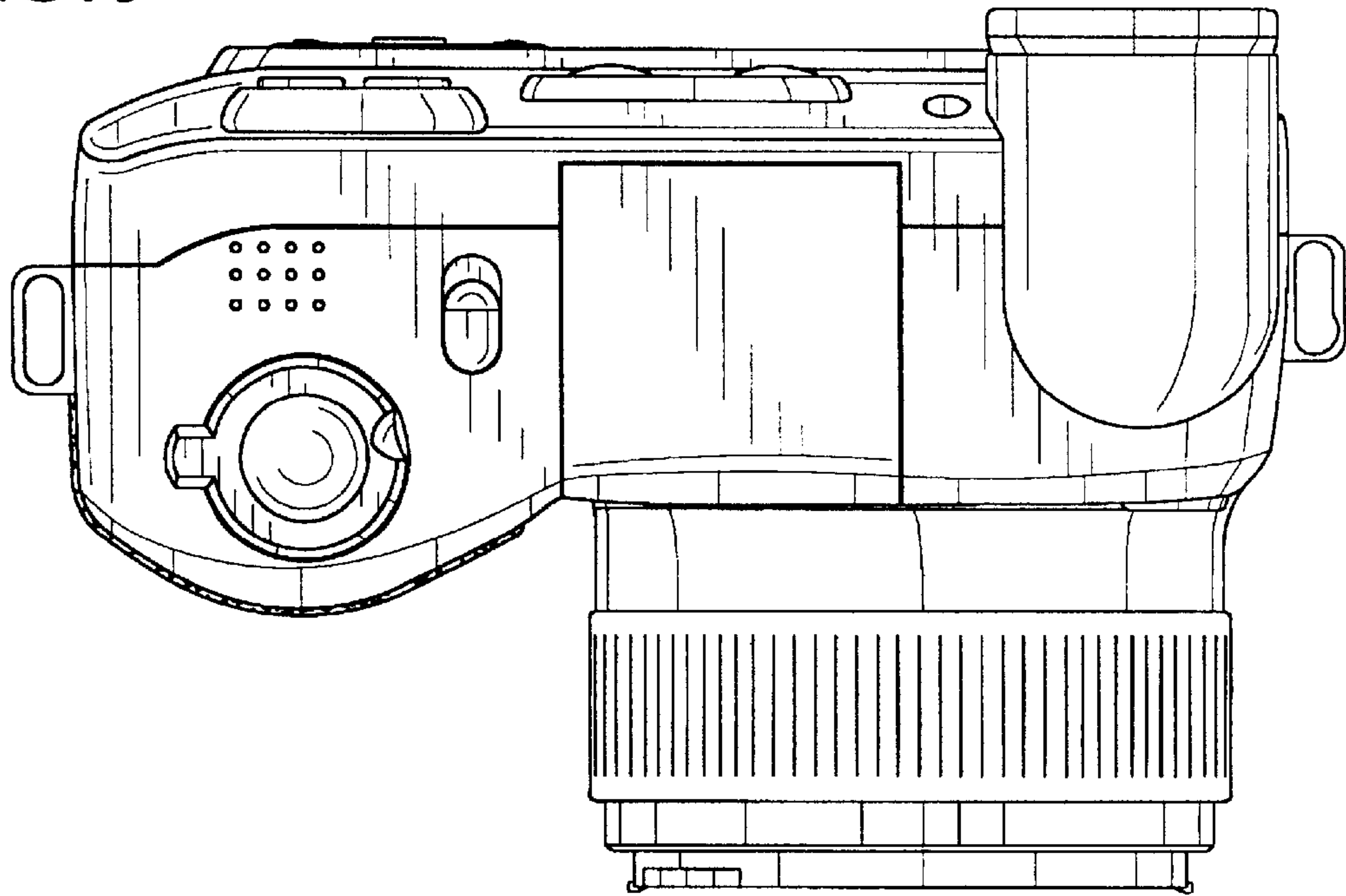


FIG. 7

