



US00D484161S

(12) **United States Design Patent**
Mendoza

(10) **Patent No.:** **US D484,161 S**

(45) **Date of Patent:** **** Dec. 23, 2003**

(54) **COMBINED MOTOR VEHICLE REARVIEW CAMERA SYSTEM AND HITCH COVER**

Primary Examiner—Adir Aronovich
(74) *Attorney, Agent, or Firm*—L. Kenneth Rosenthal

(76) **Inventor:** **David Mendoza**, 5800 Bandine,
Commerce, CA (US) 90040

(57) **CLAIM**

(**) **Term:** **14 Years**

The ornamental design for a combined motor vehicle rear-view camera system and hitch cover, as shown and described.

(21) **Appl. No.:** **29/173,710**

DESCRIPTION

(22) **Filed:** **Jan. 3, 2003**

(51) **LOC (7) Cl.** **16-01**

(52) **U.S. Cl.** **D16/208**

(58) **Field of Search** D16/200, 201,
D16/203, 208; D12/400; 340/436; 348/118,
140, 148; 396/429, 433

FIG. 1 is a perspective view of a combined motor vehicle rearview camera system and hitch cover showing my new design;

FIG. 2 is a front elevational view thereof;

FIG. 3 is a rear elevational view thereof;

FIG. 4 is a bottom plan view thereof;

FIG. 5 is a top plan view thereof;

FIG. 6 is a right side elevational view thereof with the left side being a mirror image; and,

FIG. 7 is a reduced perspective view of a combined motor vehicle rearview camera system and hitch cover attached to a motor vehicle. The broken lines showing the motor vehicle are for illustrative purposes only, and form no part of the claimed design.

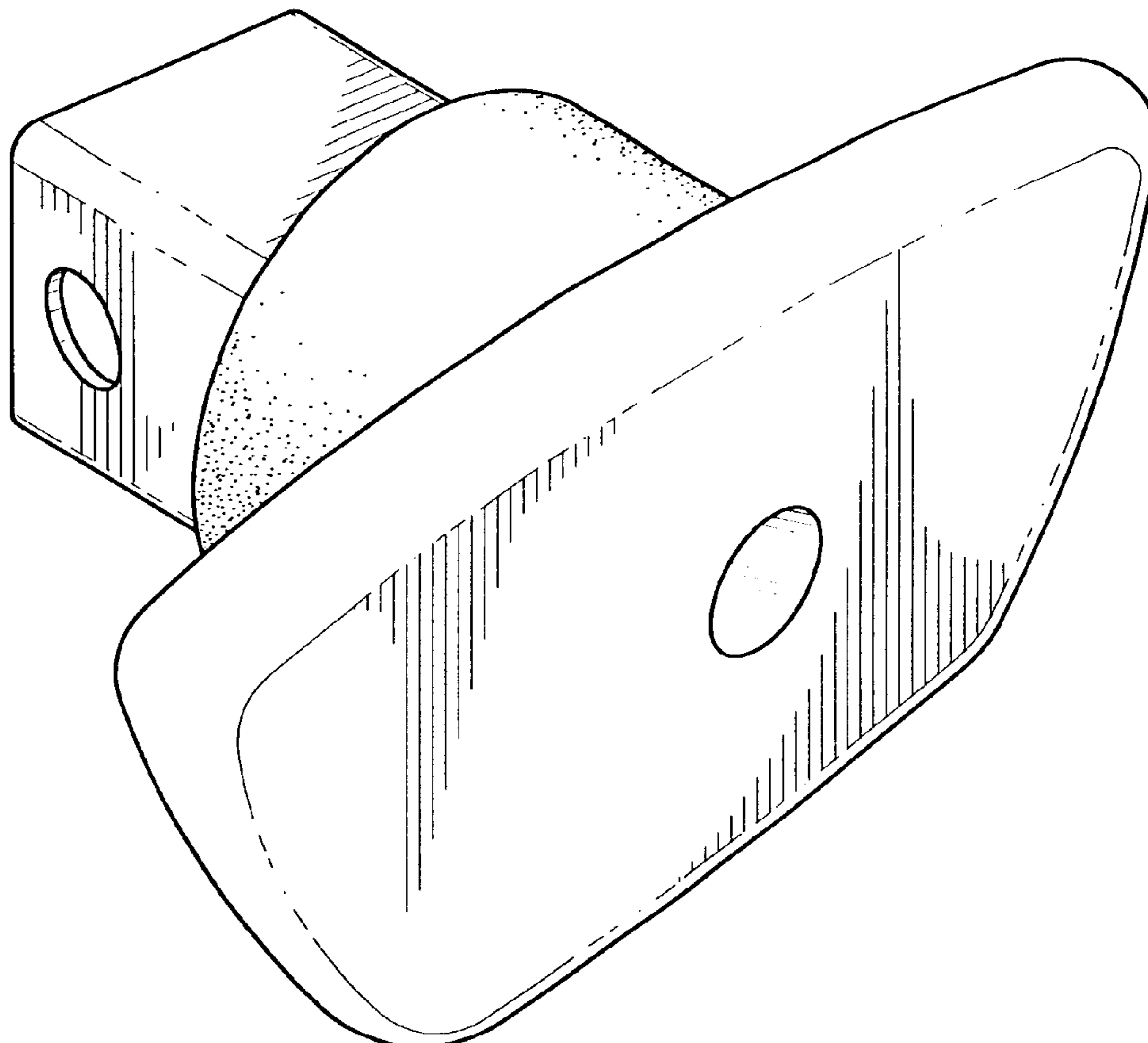
(56) **References Cited**

U.S. PATENT DOCUMENTS

D97,452 S	*	11/1935	Ball	D16/208
4,214,266 A	*	7/1980	Myers	348/140
4,277,804 A	*	7/1981	Robison	348/148
6,175,300 B1	*	1/2001	Kendrick	340/436
2002/0186298 A1	*	12/2002	Ikeda	348/148
2003/0133014 A1	*	7/2003	Mendoza	348/148

* cited by examiner

1 Claim, 3 Drawing Sheets



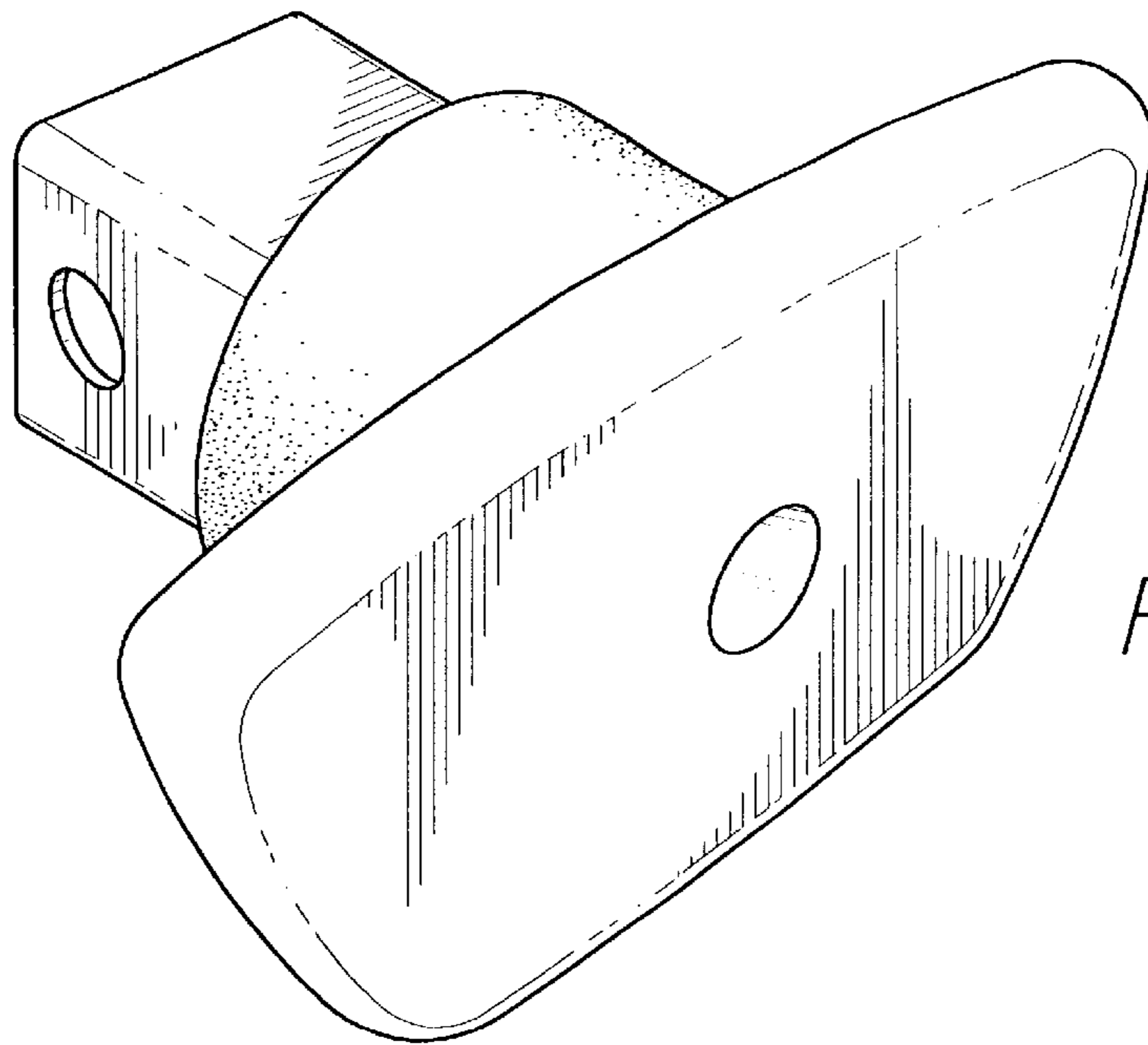


FIG. 1

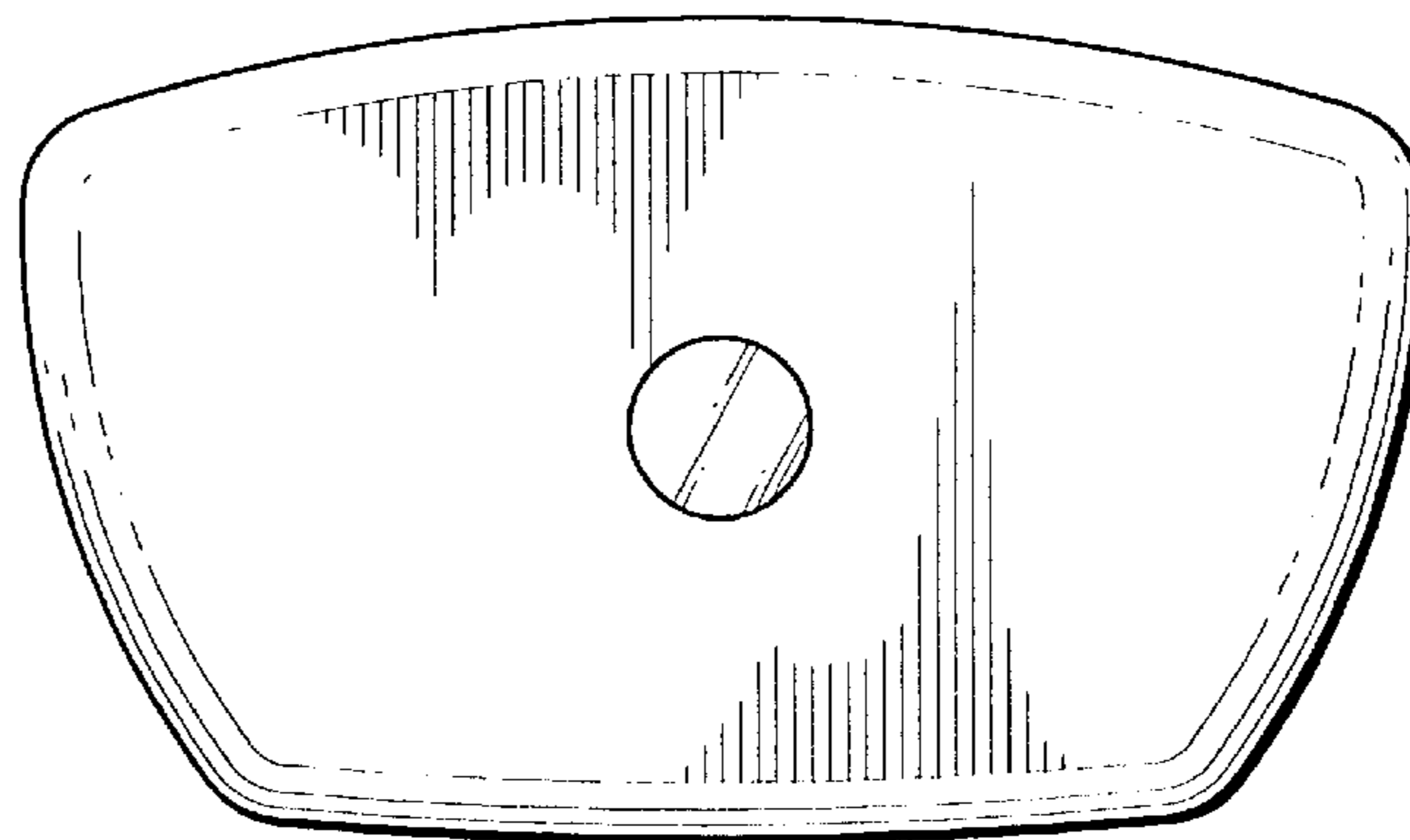


FIG. 2

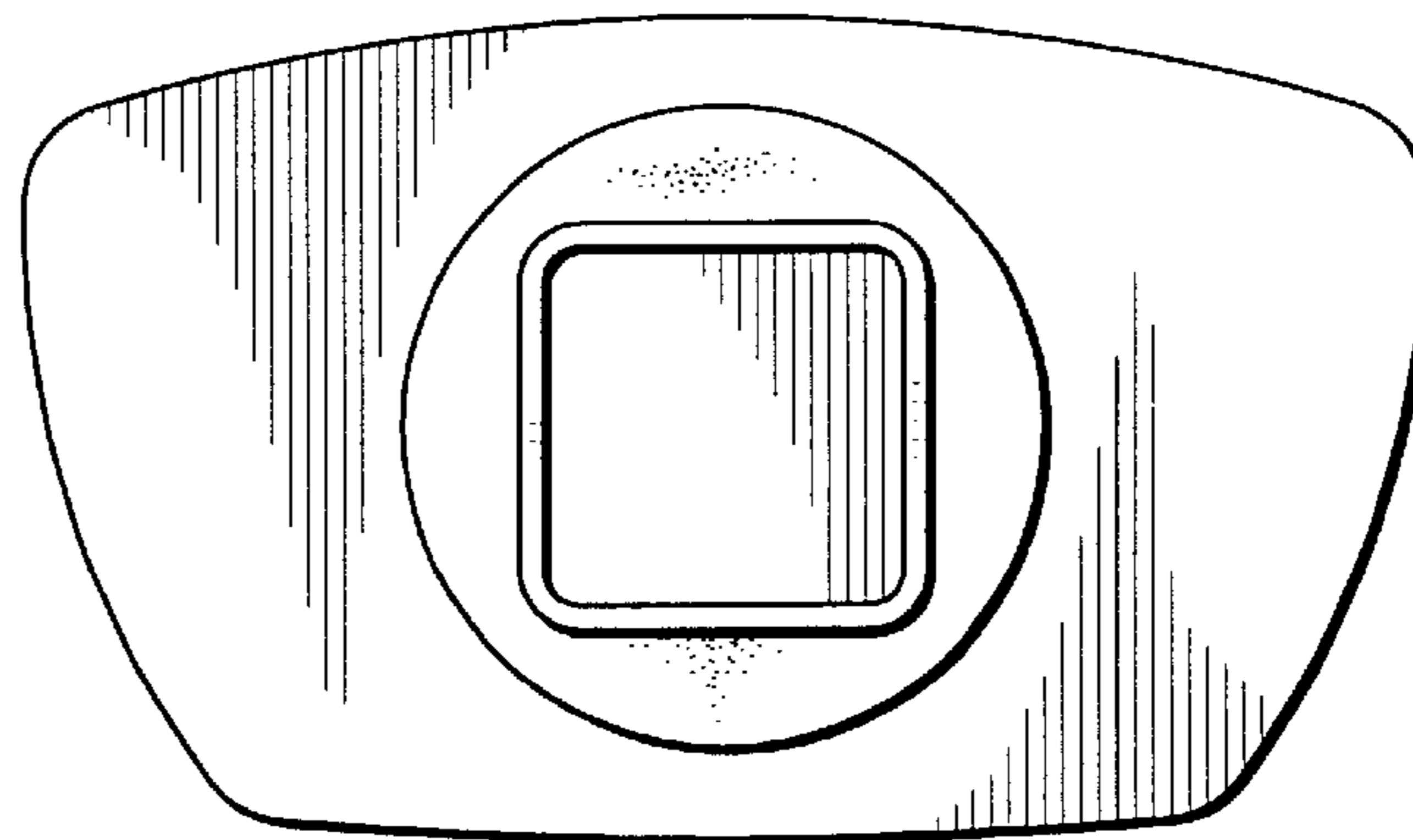


FIG. 3

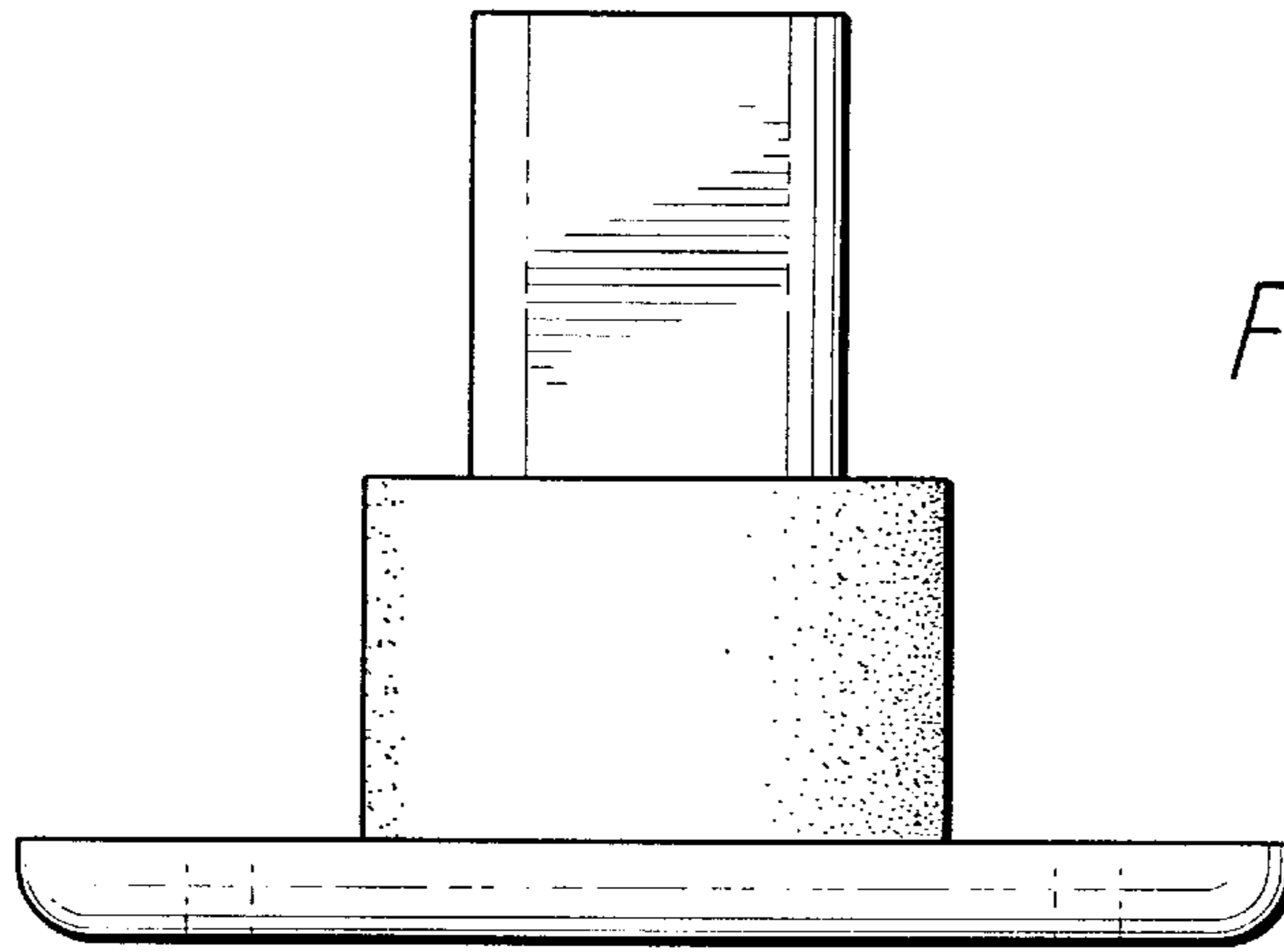


FIG. 4

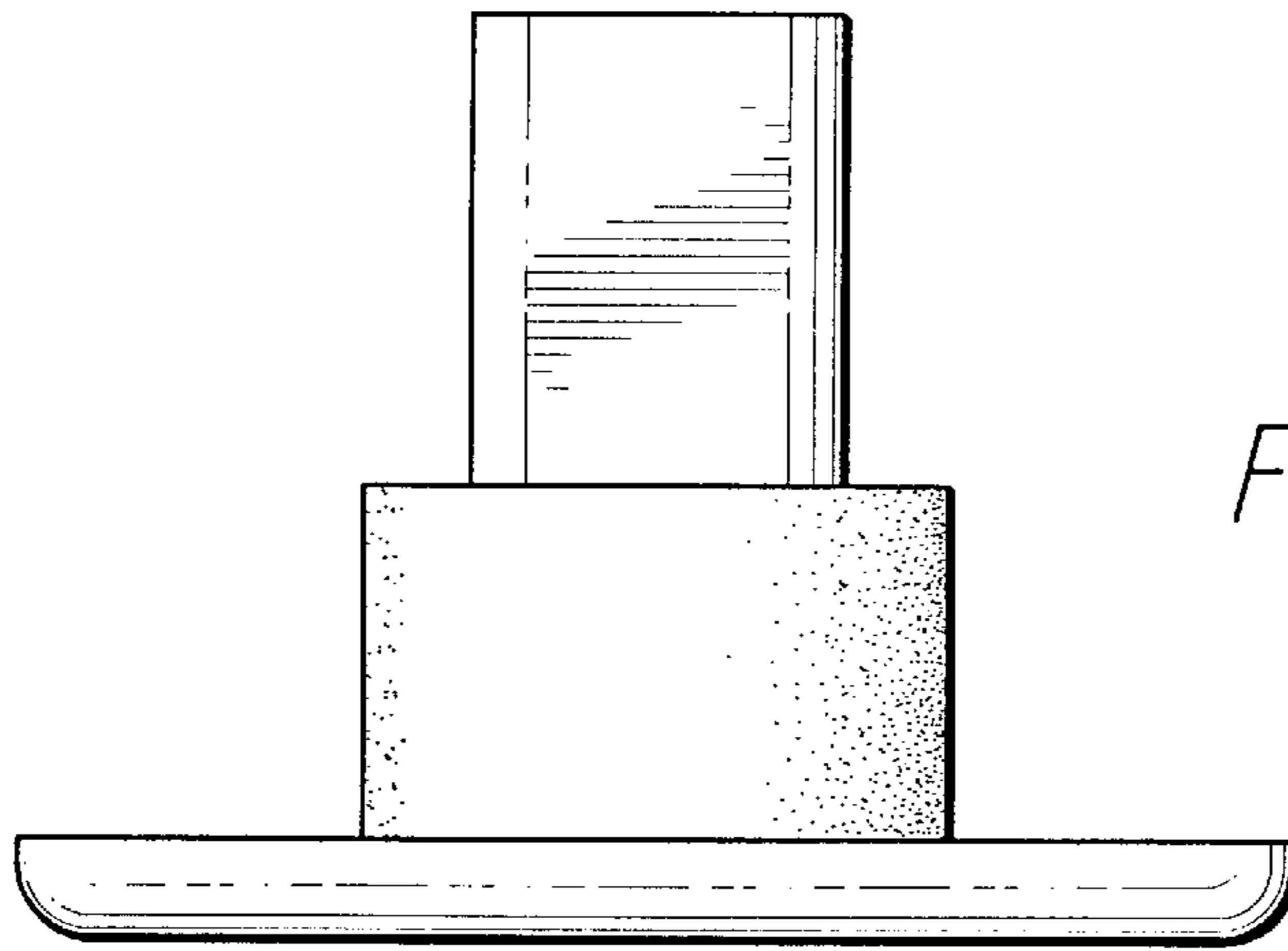


FIG. 5

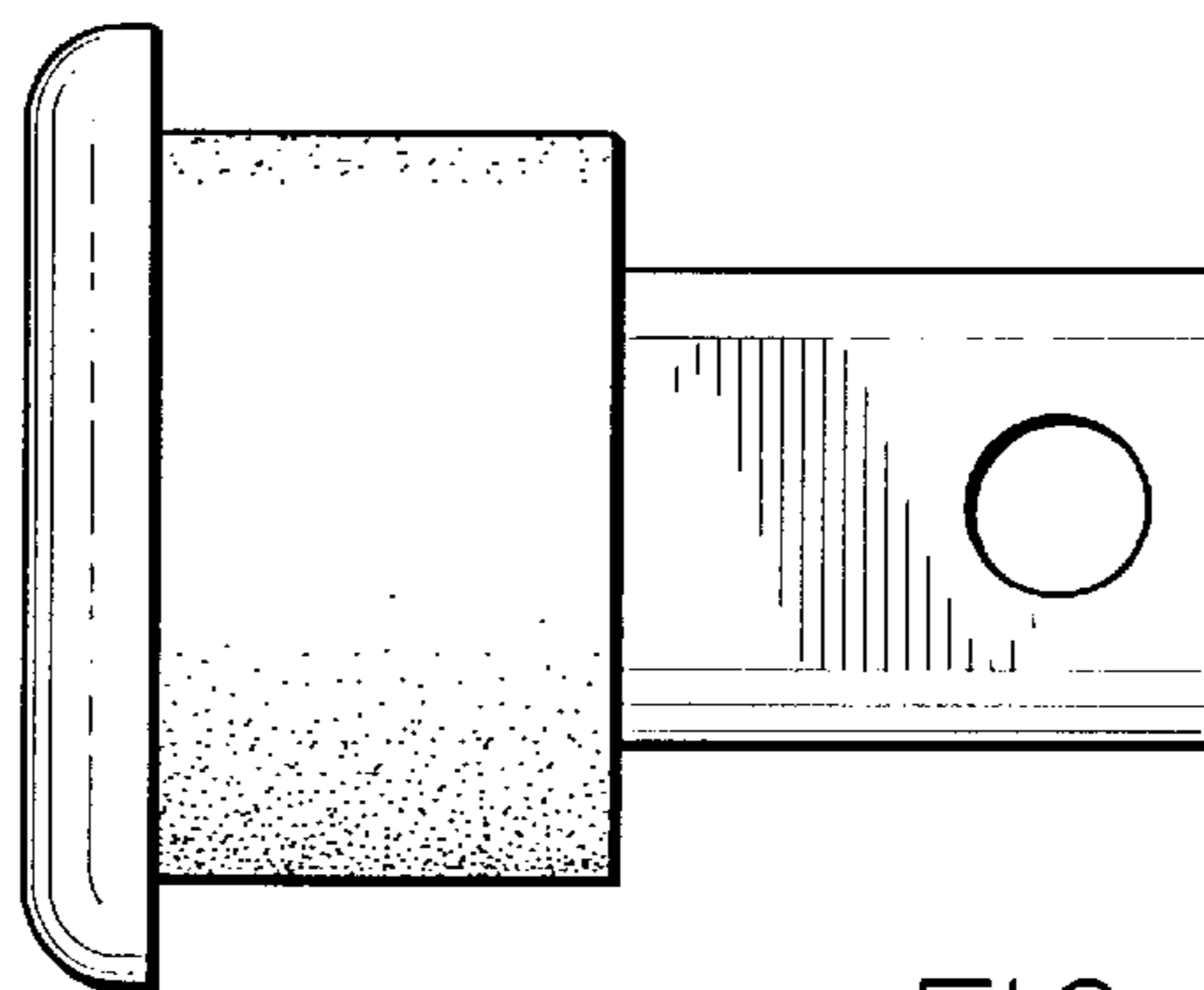


FIG. 6

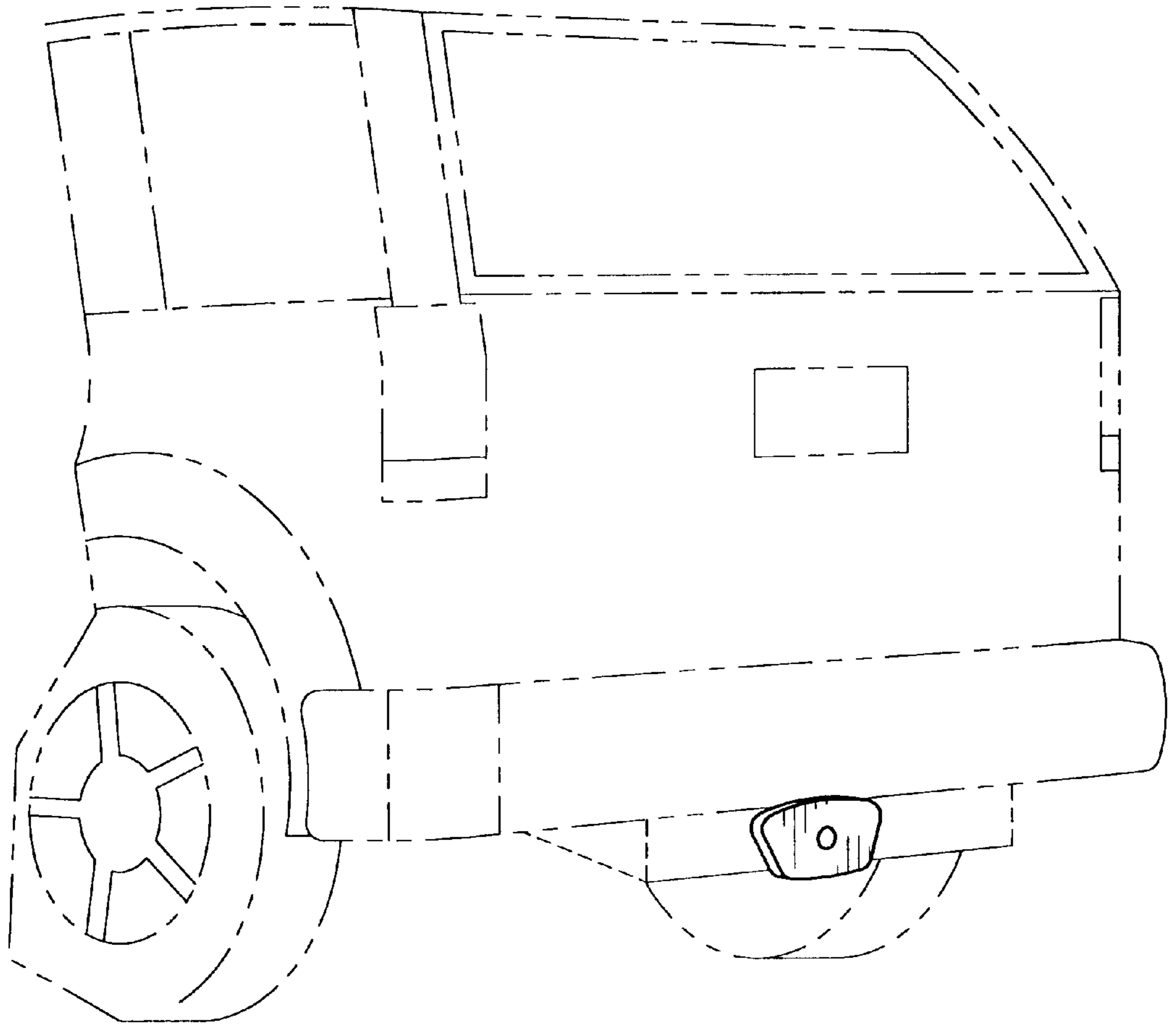


FIG. 7