



US00D484160S

(12) **United States Design Patent**
Kangasmaa

(10) **Patent No.:** **US D484,160 S**

(45) **Date of Patent:** **** Dec. 23, 2003**

(54) **REMOTE WIRELESS CAMERA**

(75) Inventor: **Heikki Kangasmaa, Helsinki (FI)**

(73) Assignee: **Nokia Corporation, Espoo (FI)**

(**) Term: **14 Years**

(21) Appl. No.: **29/176,402**

(22) Filed: **Feb. 21, 2003**

(30) **Foreign Application Priority Data**

Aug. 21, 2002 (FI) M20020501

(51) **LOC (7) Cl.** **16-01**

(52) **U.S. Cl.** **D16/203; D16/202**

(58) **Field of Search** D16/200–205,
D16/208, 218, 242; 348/143, 373, 374–376;
358/906, 909.1; 396/427, 433, 419, 535

(56) **References Cited**

U.S. PATENT DOCUMENTS

D385,571 S * 10/1997 Abrams D16/203
D426,249 S * 6/2000 Tsujimoto D16/202

D432,151 S * 10/2000 Kawashima D16/202

D434,057 S * 11/2000 Whitby et al. D16/202

6,437,826 B1 * 8/2002 Arnold 348/373

D476,345 S * 6/2003 Phelps et al. D16/202

* cited by examiner

Primary Examiner—Adir Aronovich

(74) *Attorney, Agent, or Firm*—Darby & Darby

(57) **CLAIM**

The ornamental design for a remote wireless camera, as shown and described.

DESCRIPTION

FIG. 1 is a perspective view, as viewed from the front, of a remote wireless camera, showing my new design; FIG. 2 is a perspective view thereof, as viewed from the rear; FIG. 3 is a front elevational view thereof; FIG. 4 is a rear elevational view thereof; FIG. 5 is a right side elevational view thereof; FIG. 6 is a left side elevational view thereof; FIG. 7 is a top plan view thereof; and, FIG. 8 is a bottom plan view thereof.

1 Claim, 8 Drawing Sheets

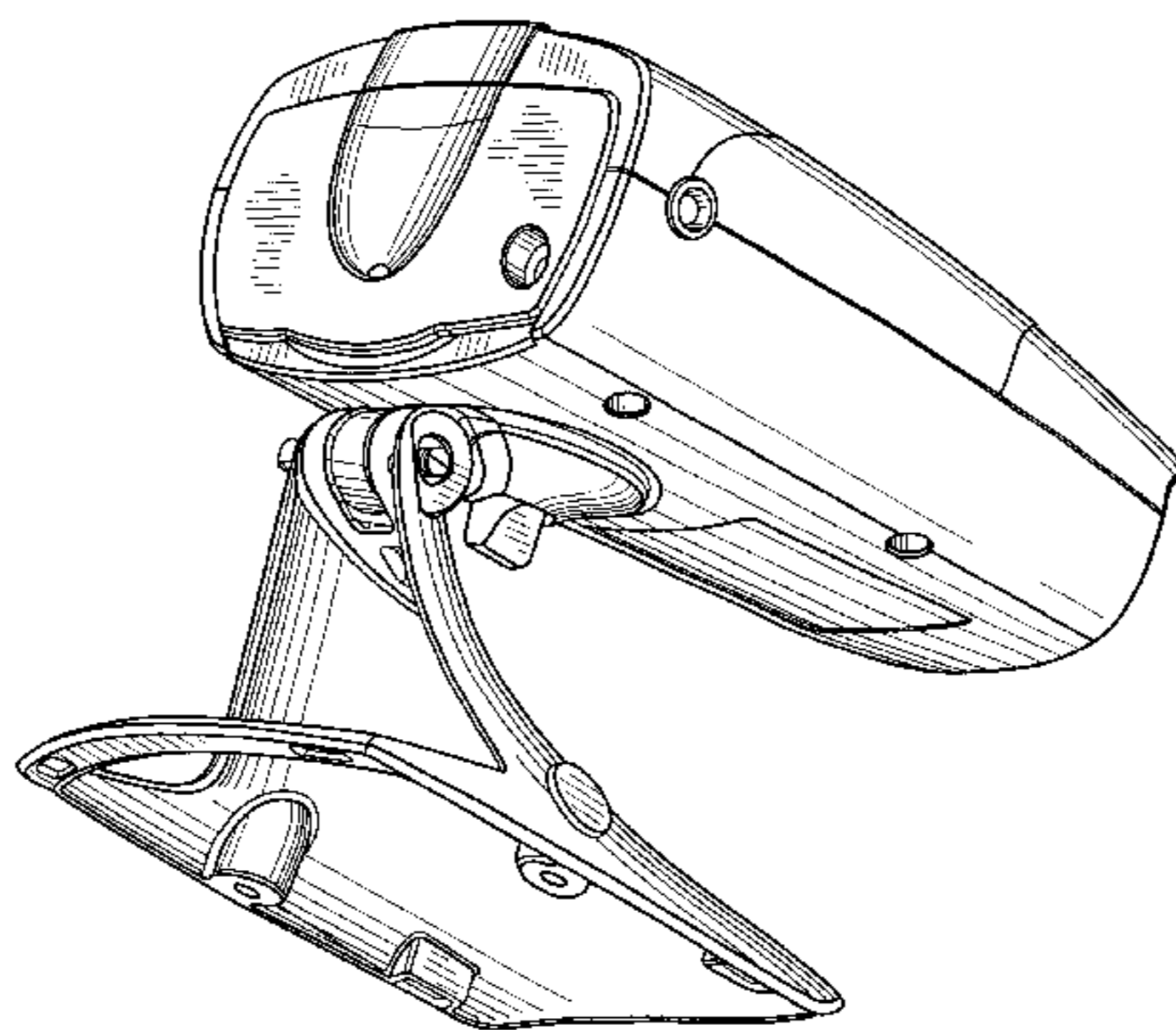
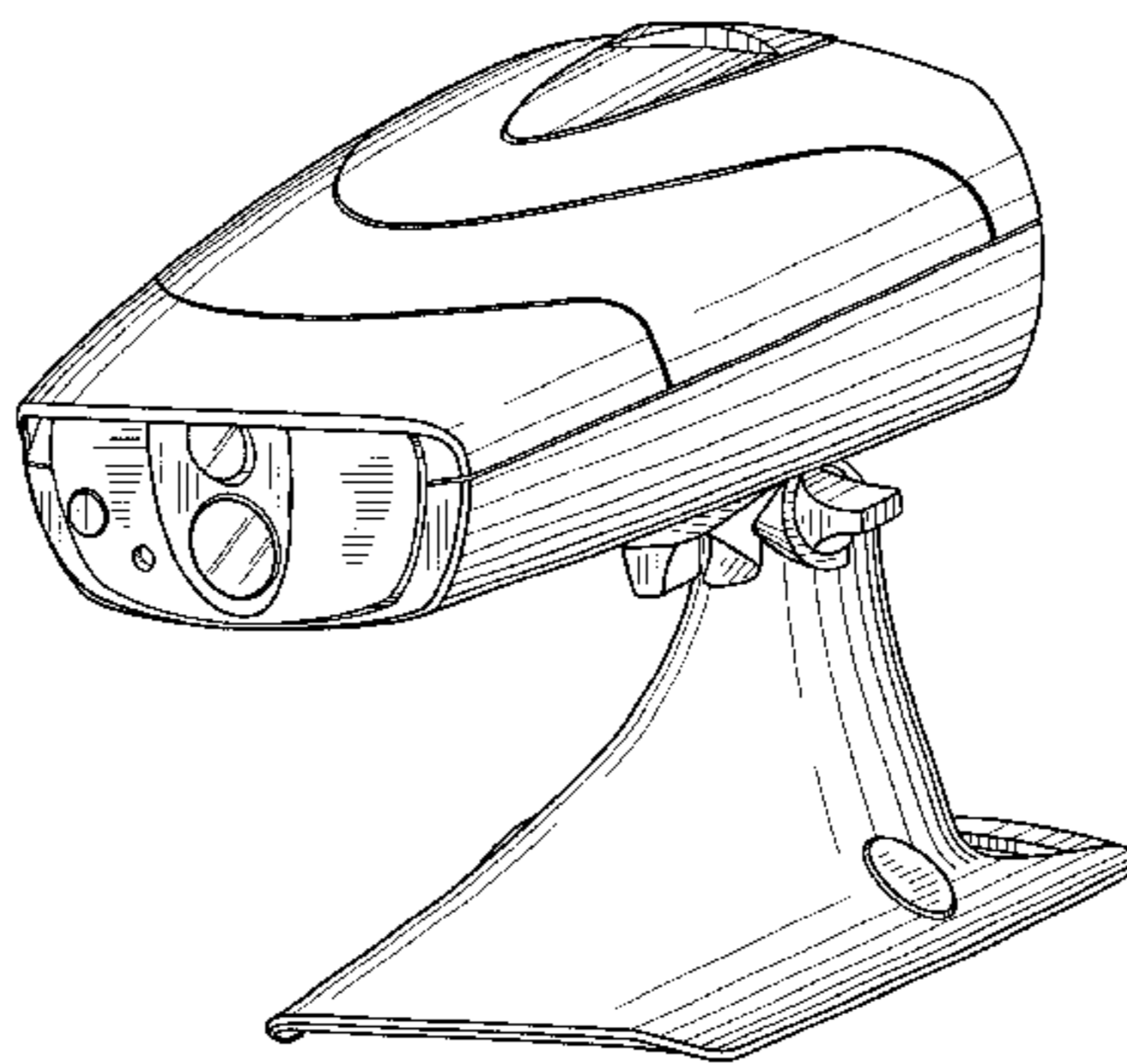


FIG. 1

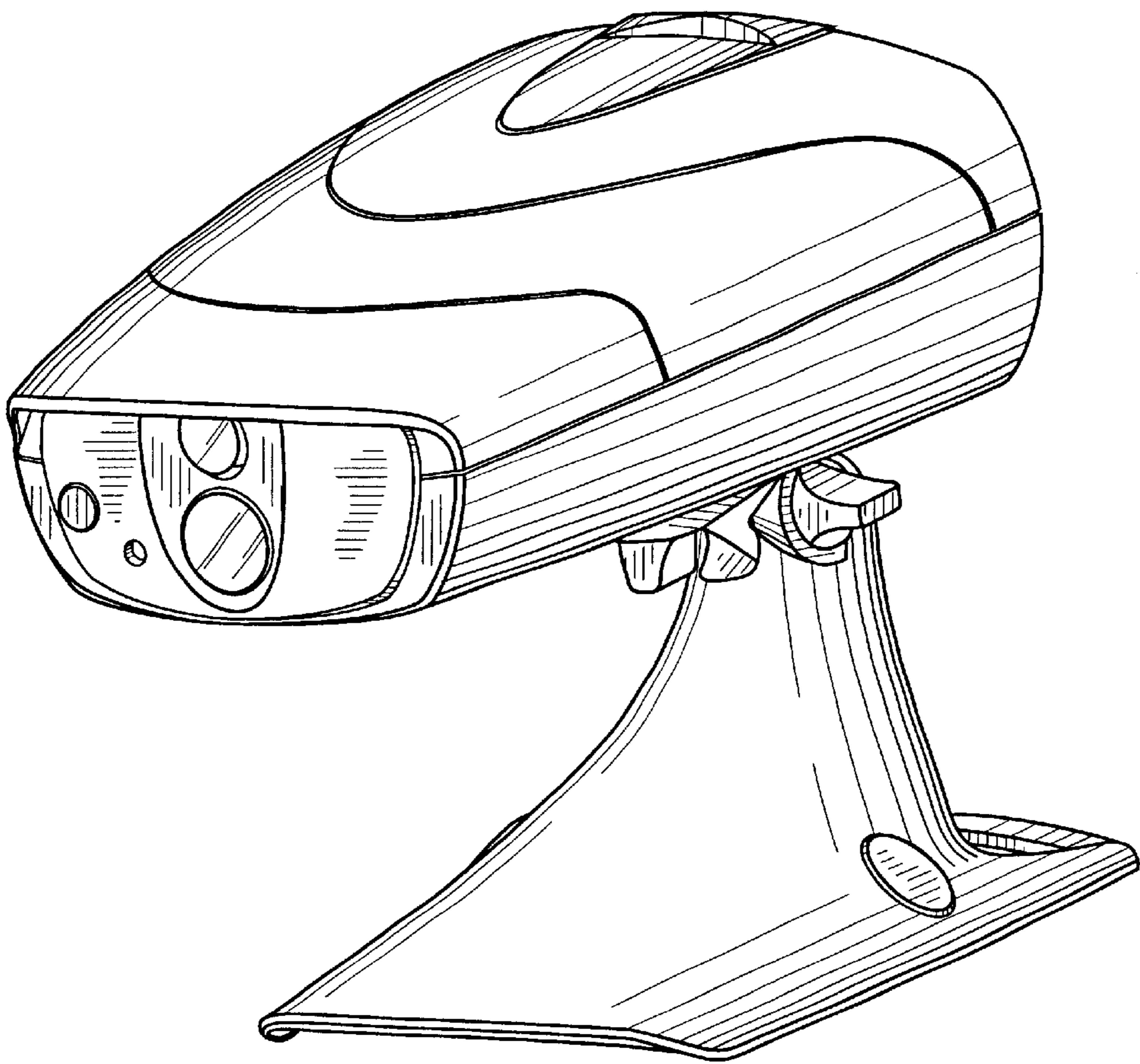


FIG. 2

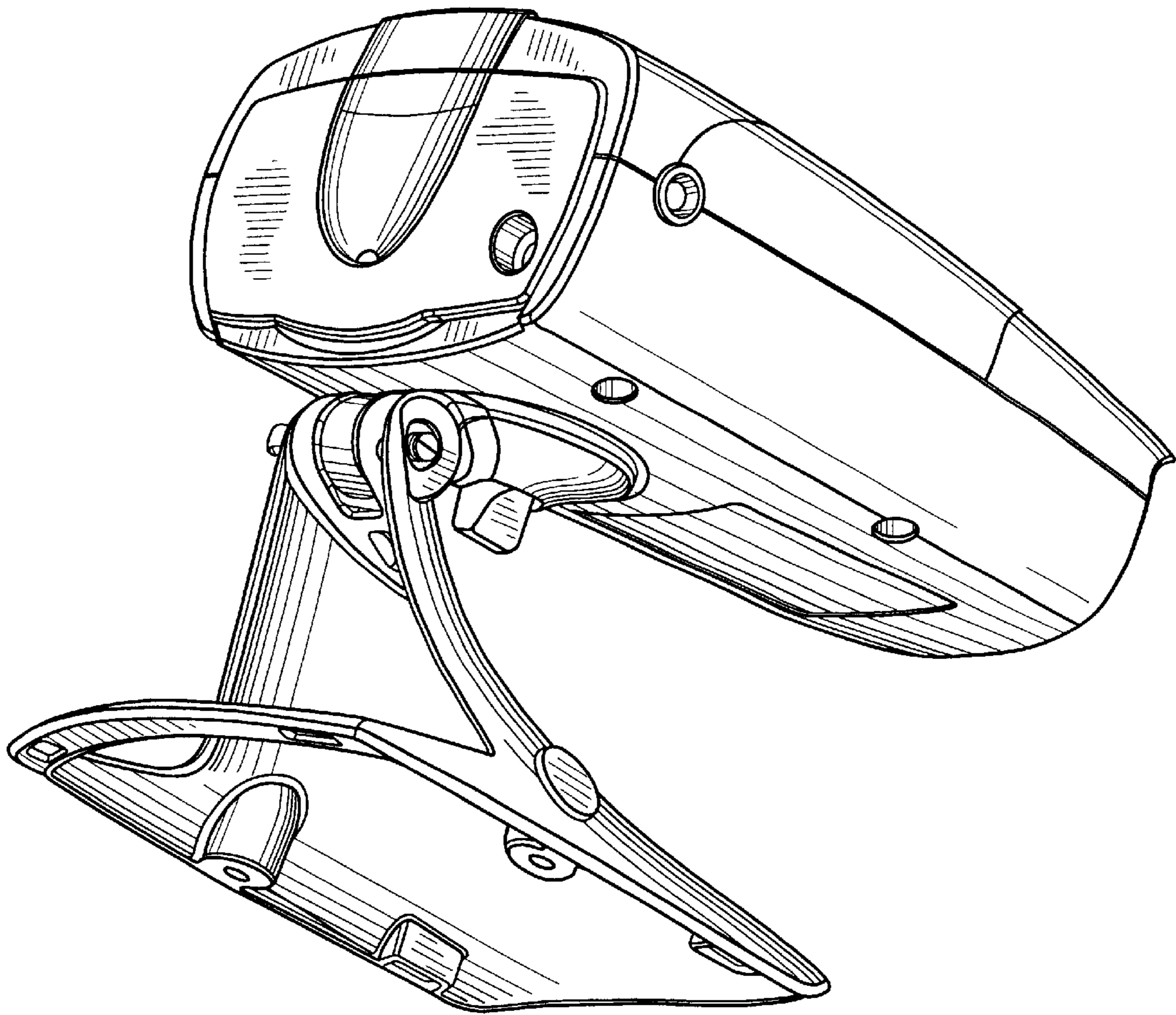


FIG. 3

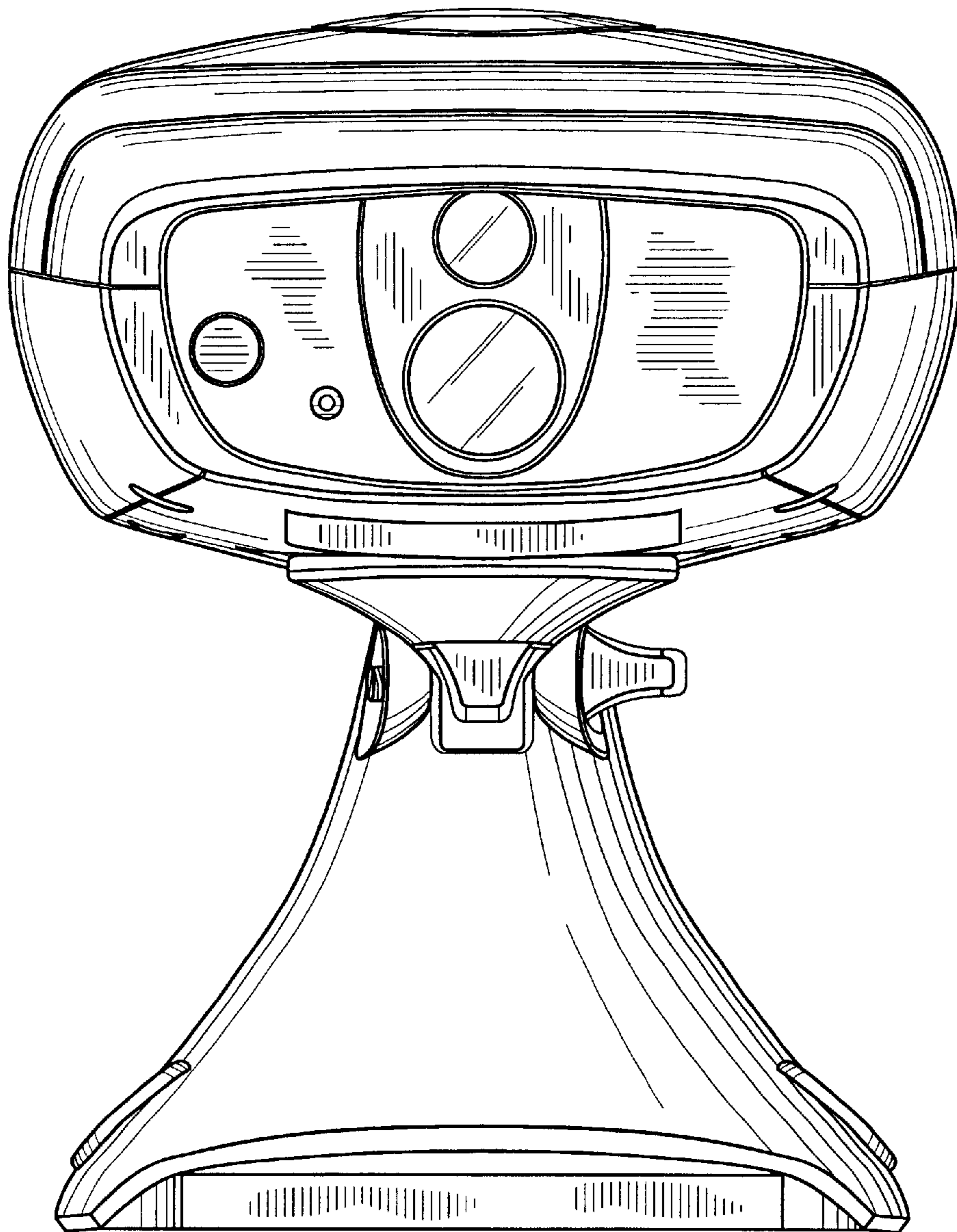


FIG. 4

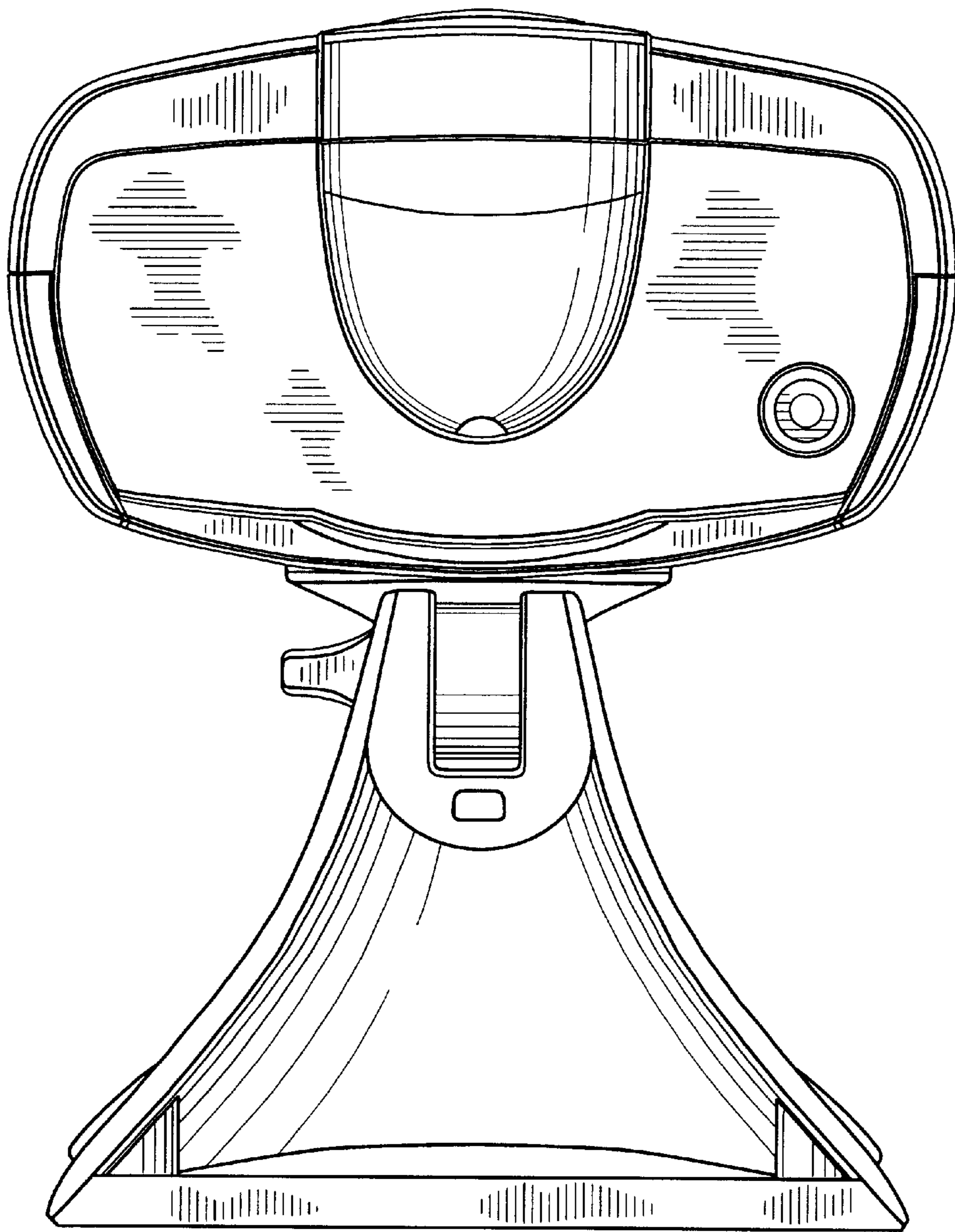


FIG. 5

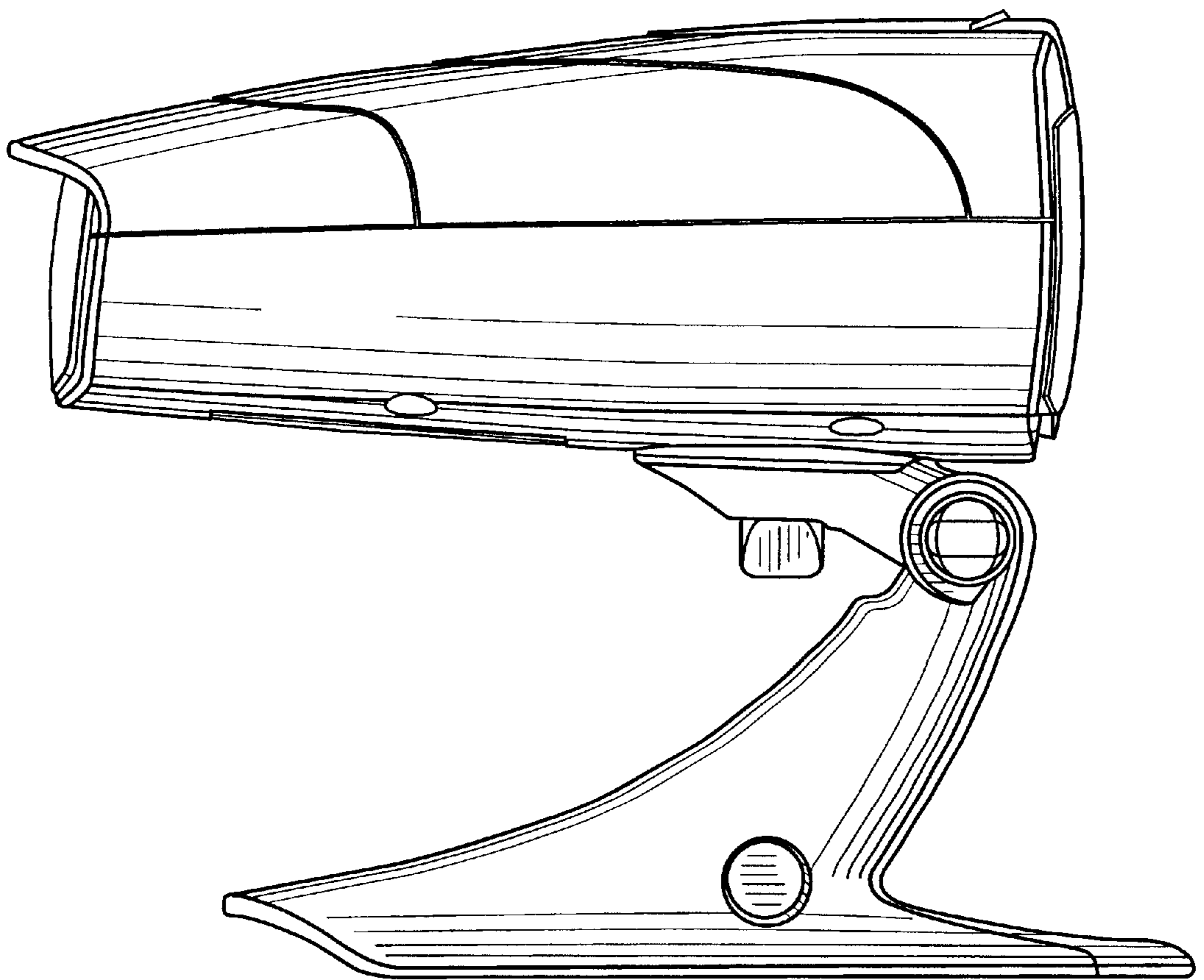


FIG. 6

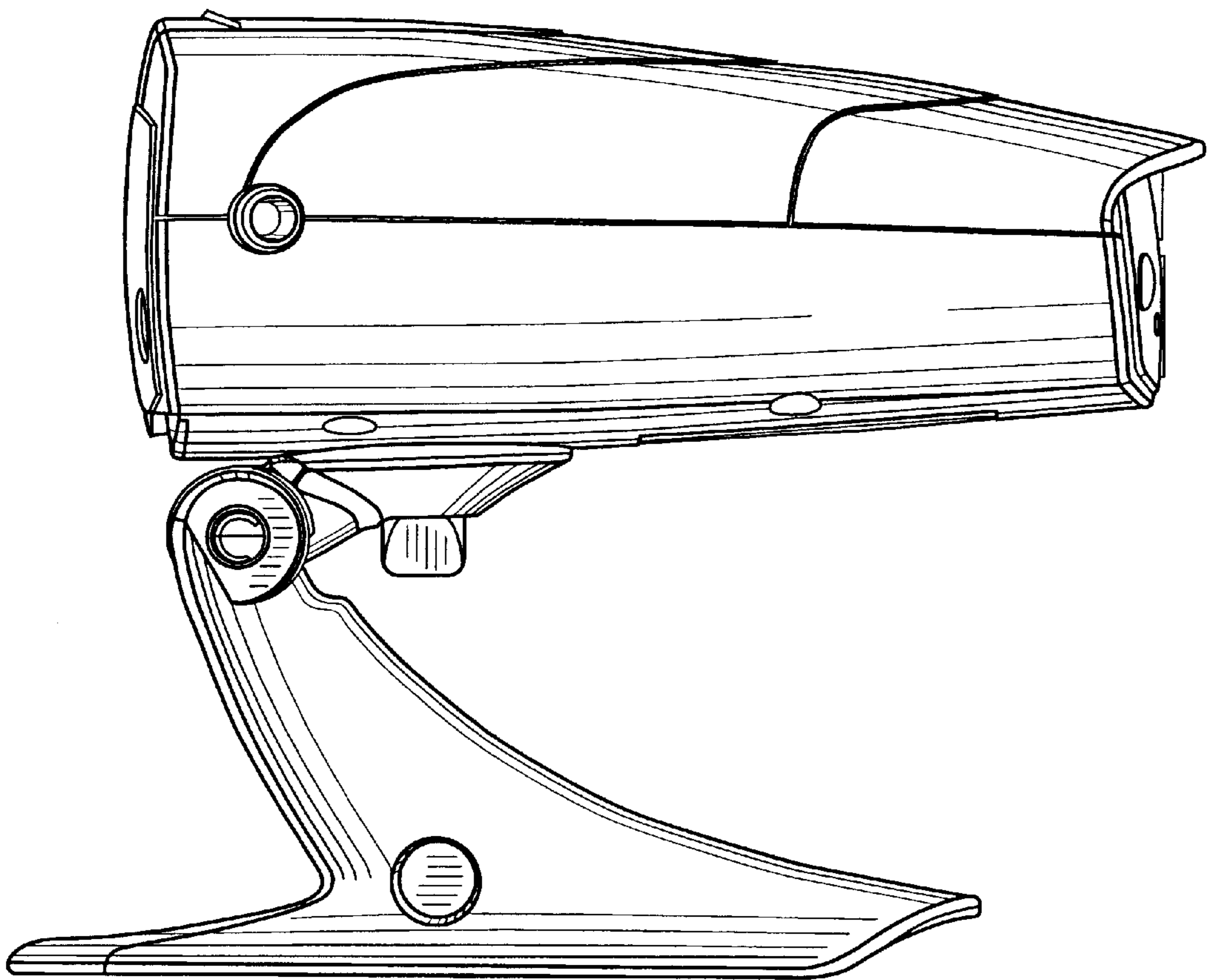


FIG. 7

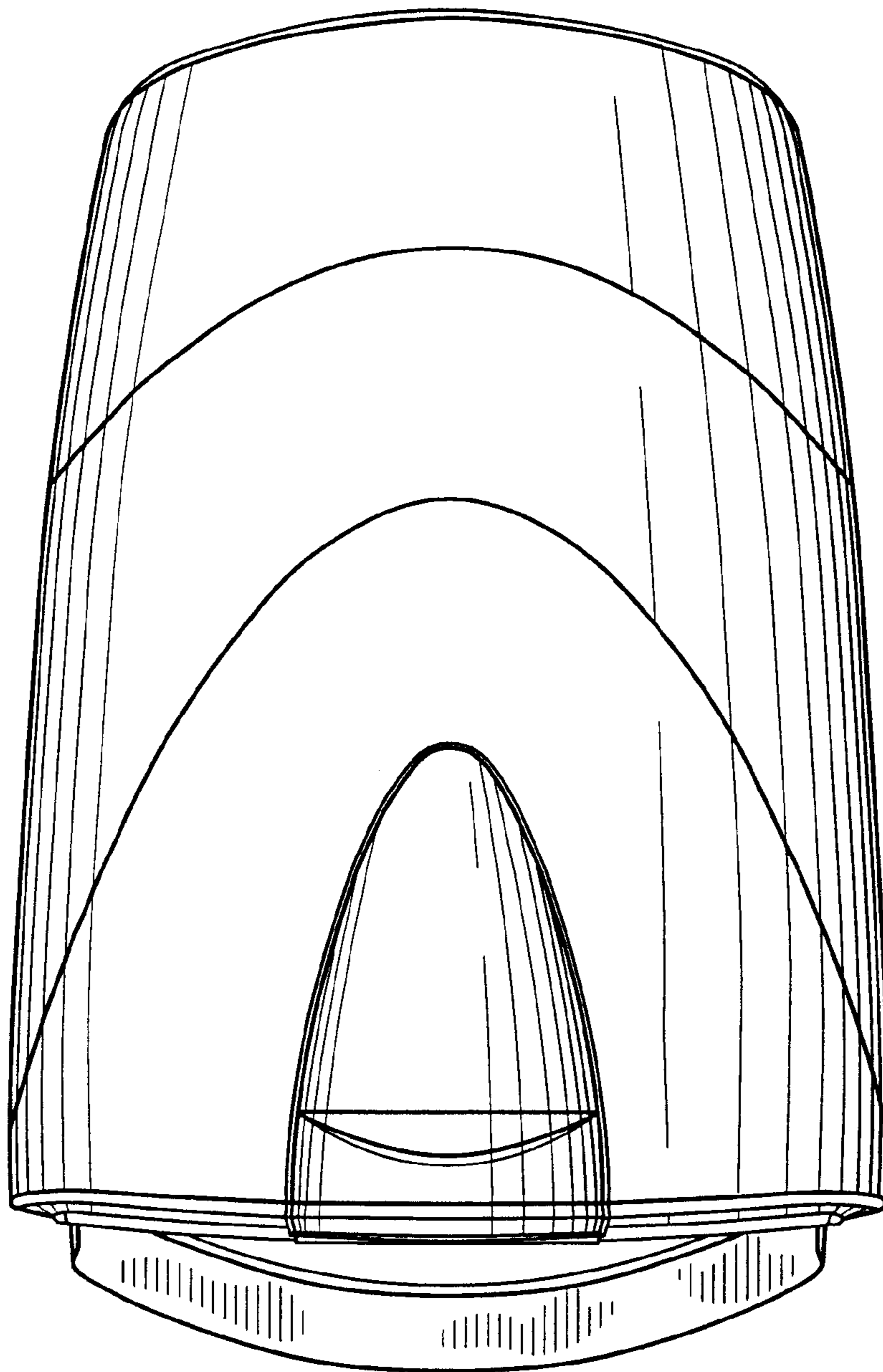


FIG. 8

