



US00D484158S

(12) **United States Design Patent**
Kim

(10) **Patent No.:** **US D484,158 S**

(45) **Date of Patent:** **** Dec. 23, 2003**

(54) **DIGITAL CAMERA**

D447,499 S * 9/2001 Jin D16/202
6,469,738 B1 * 10/2002 Hayashi 348/376

(75) Inventor: **Tae Hwan Kim**, Yongin-si (KR)

OTHER PUBLICATIONS

(73) Assignee: **Samsung Techwin Co., Ltd**, Changwon (KR)

Sony Catalog, May 2001 (Cyber-shot DSC-P1 digital camera).*

(**) Term: **14 Years**

* cited by examiner

(21) Appl. No.: **29/176,712**

Primary Examiner—Adir Aronovich

(22) Filed: **Feb. 25, 2003**

(74) *Attorney, Agent, or Firm*—Dellett & Walters

(30) **Foreign Application Priority Data**

(57) **CLAIM**

Dec. 24, 2002 (KR) 30-2002-0036851

I claim the ornamental design for a digital camera, as shown and described.

(51) **LOC (7) Cl.** **16-01**

DESCRIPTION

(52) **U.S. Cl.** **D16/202; D16/218**

(58) **Field of Search** D16/200-205,
D16/208, 209, 218; 348/373-376; 358/906,
909.1; 396/6, 535, 536-541

FIG. 1 is a perspective view of the design for a camera;
FIG. 2 is a front view of the design of FIG. 1;
FIG. 3 is a rear elevational view of the design of FIG. 1;
FIG. 4 is a left side view of the design of FIG. 1;
FIG. 5 is a right side view of the design of FIG. 1;
FIG. 6 is a top view of the design of FIG. 1;
FIG. 7 is a bottom view of the design of FIG. 1; and,
FIG. 8 is a perspective view of the design for a camera, the lens being in a retracted position.

(56) **References Cited**

U.S. PATENT DOCUMENTS

D409,213 S * 5/1999 Bae D16/202
D422,611 S * 4/2000 Katayama et al. D16/202
D423,544 S * 4/2000 Yamamoto et al. D16/218
D426,842 S * 6/2000 Suzuki et al. D16/202

1 Claim, 5 Drawing Sheets

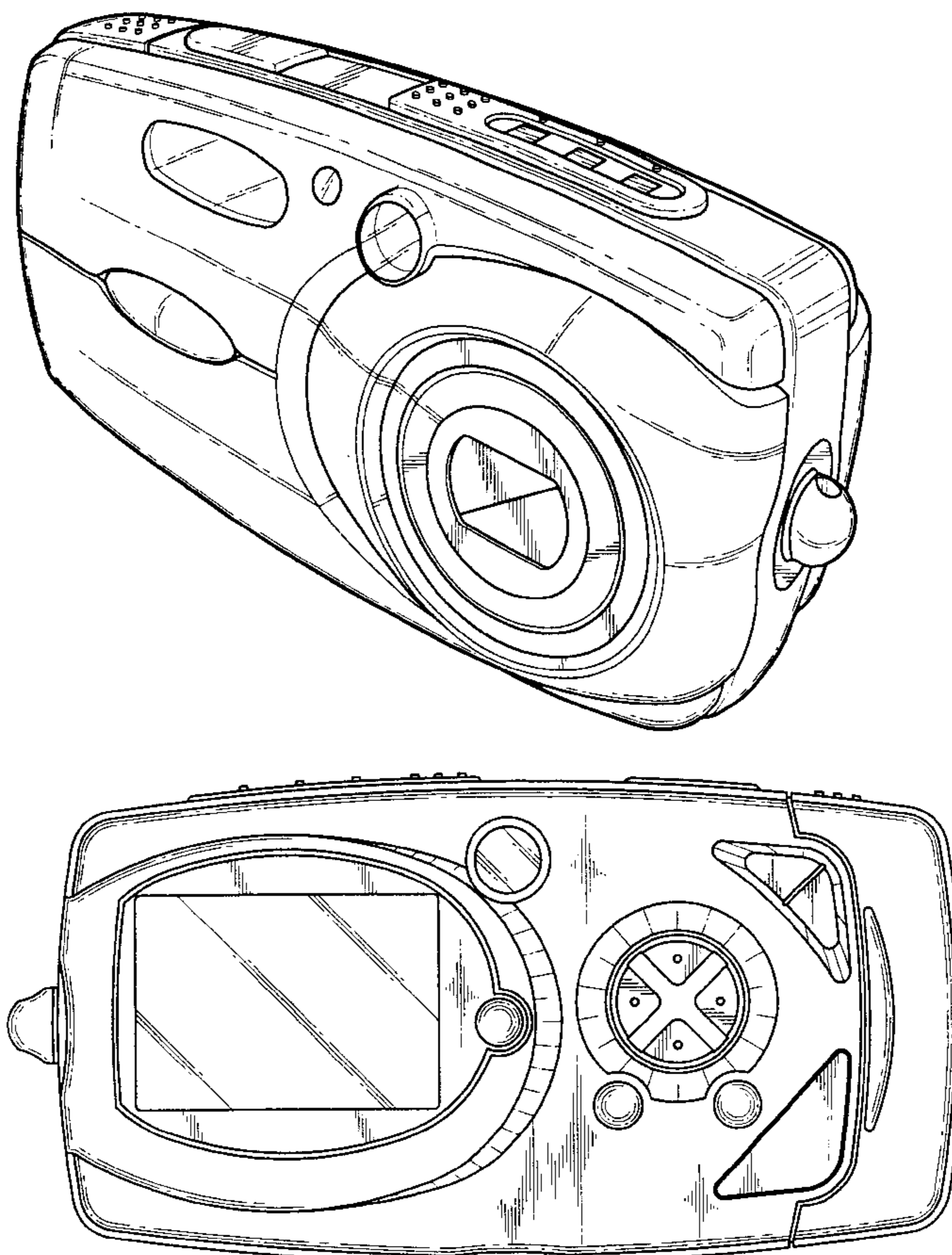


FIG. 1

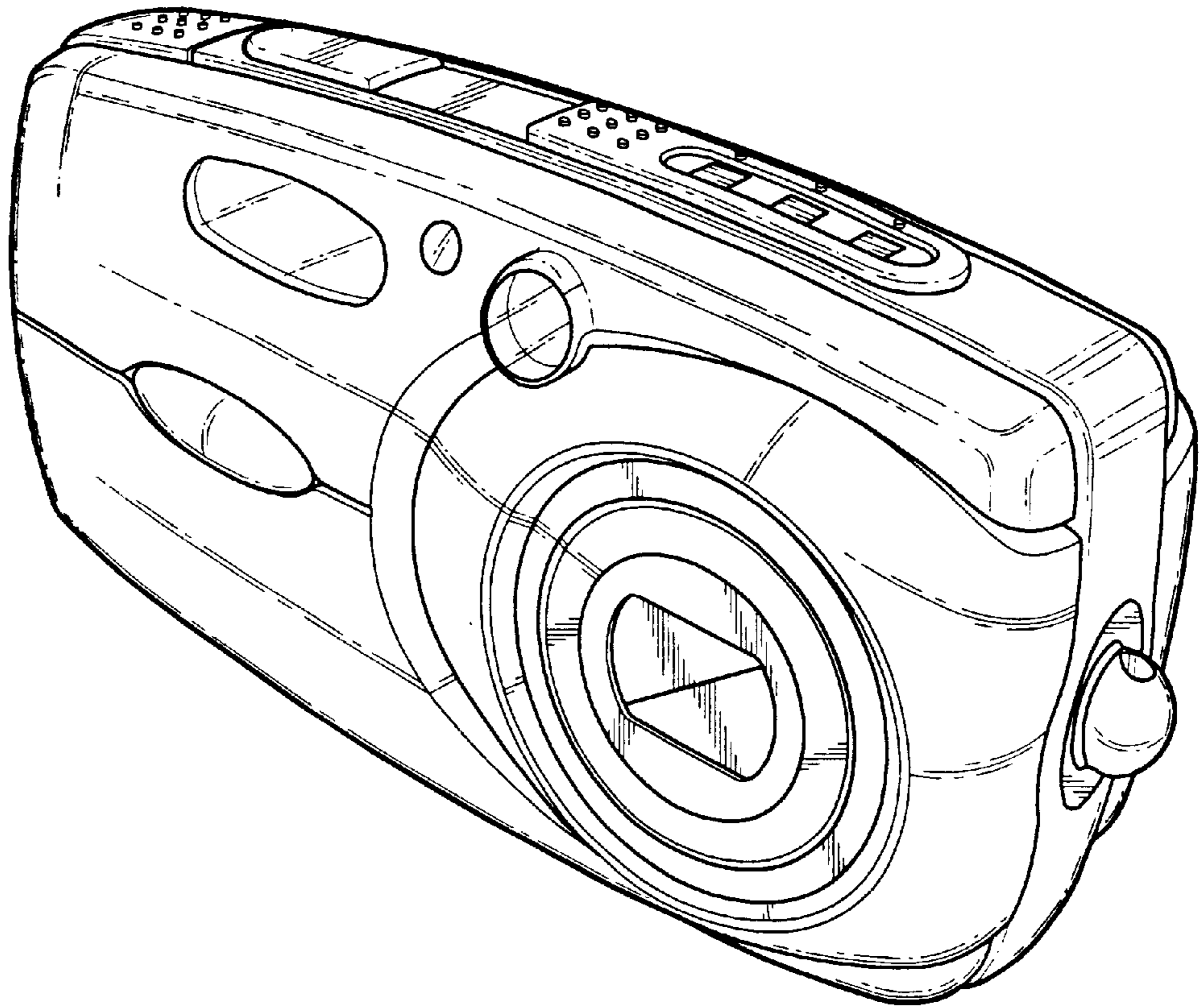


FIG.2

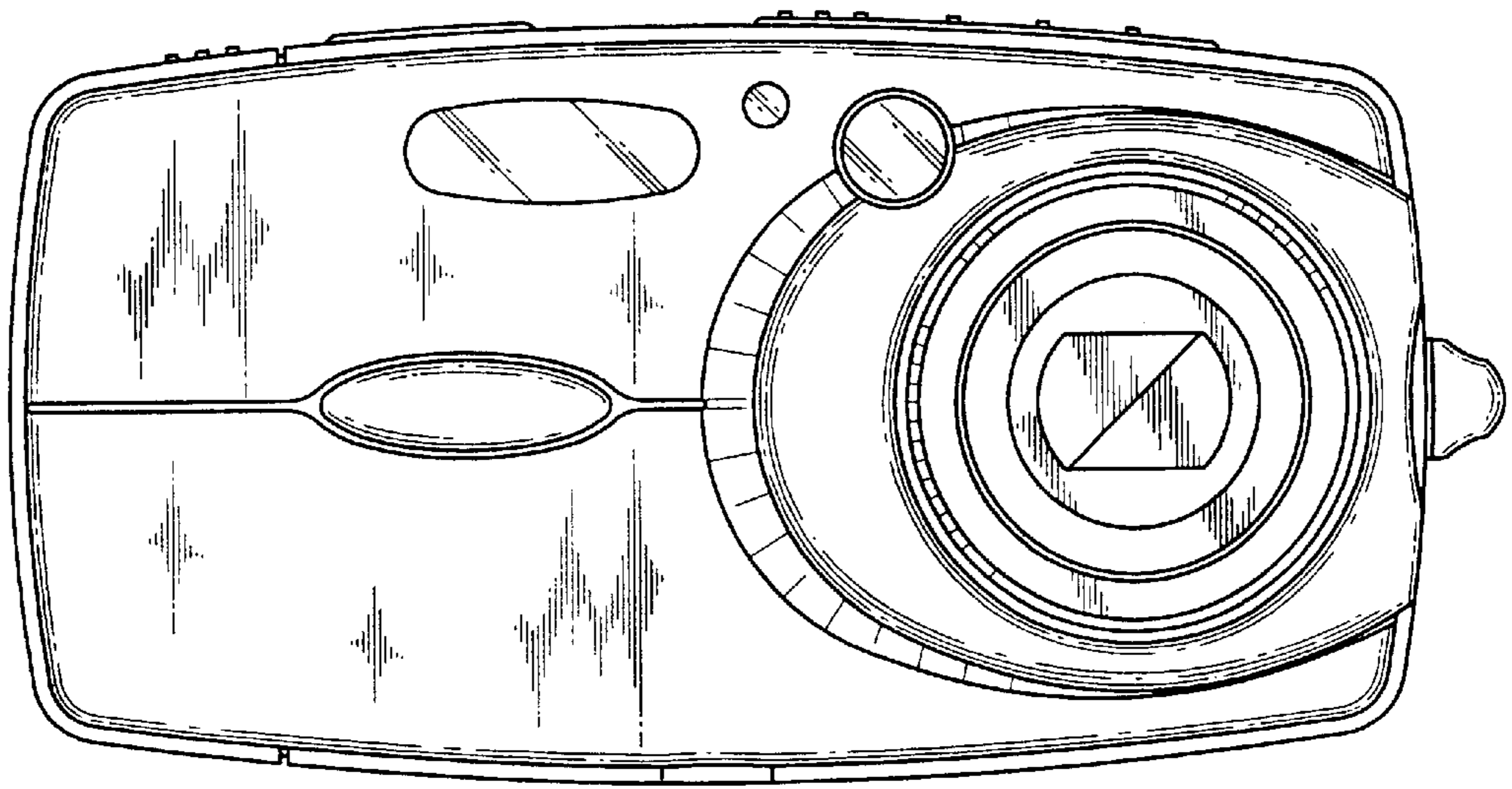


FIG.3

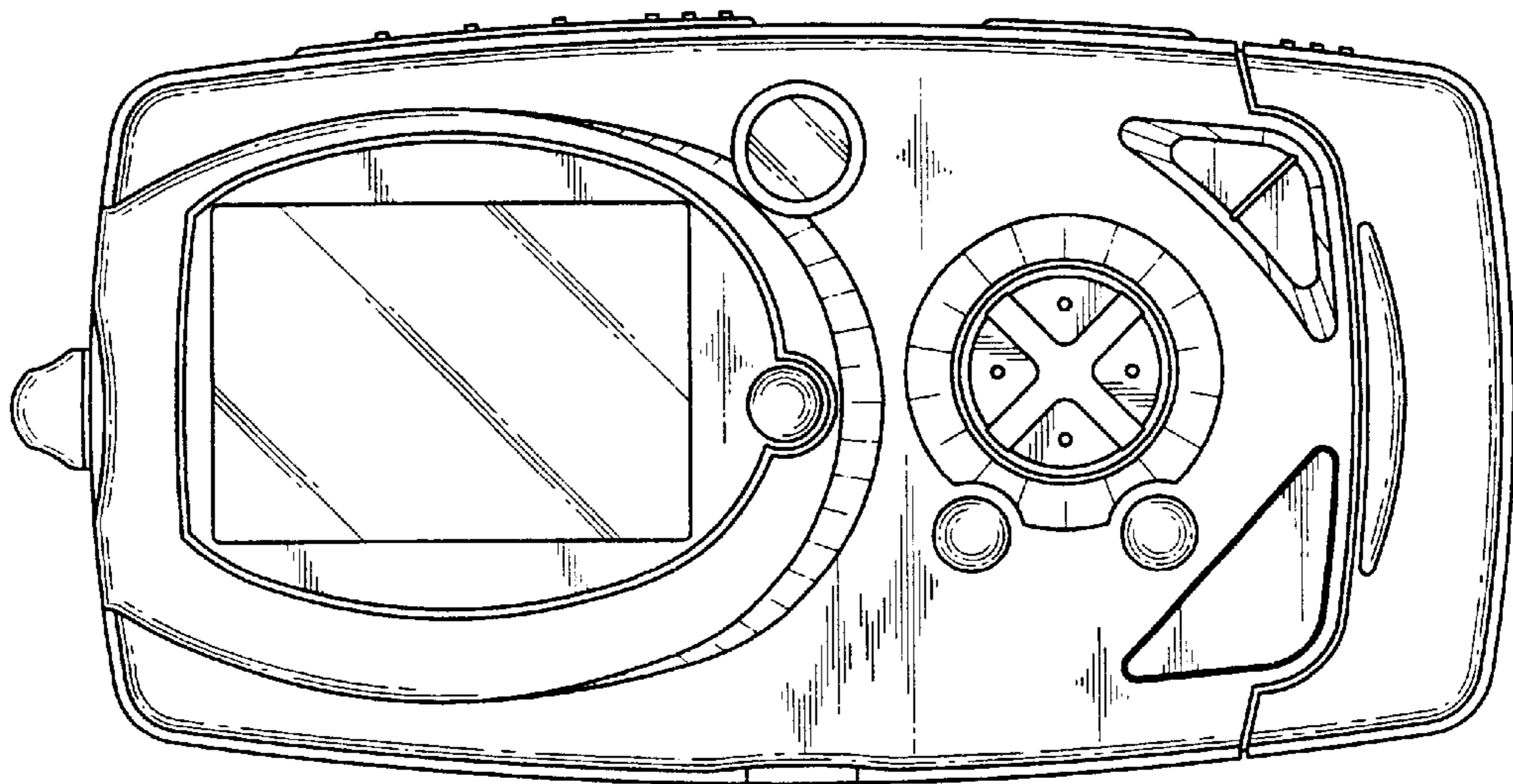


FIG.4

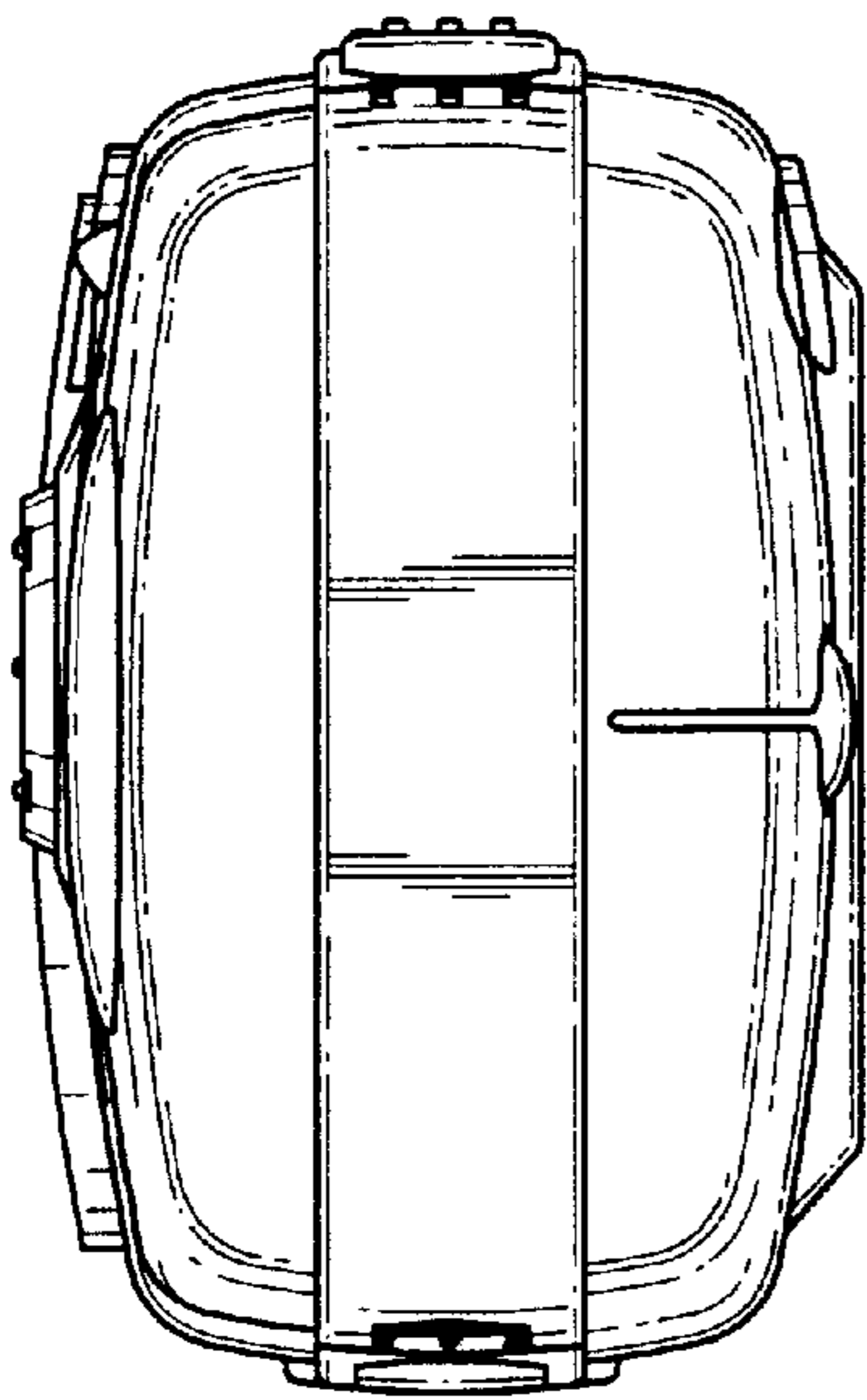


FIG.5

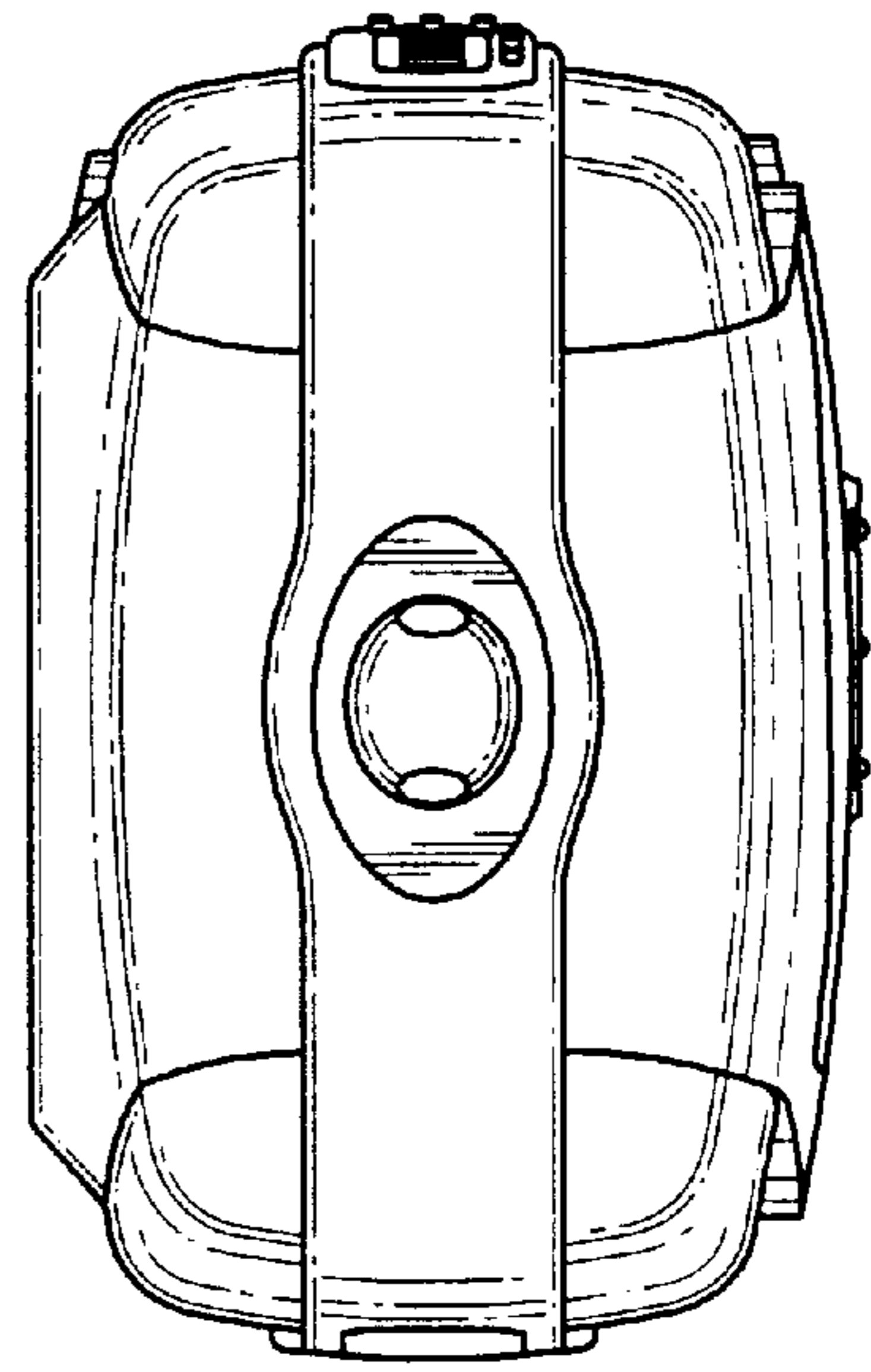


FIG.6

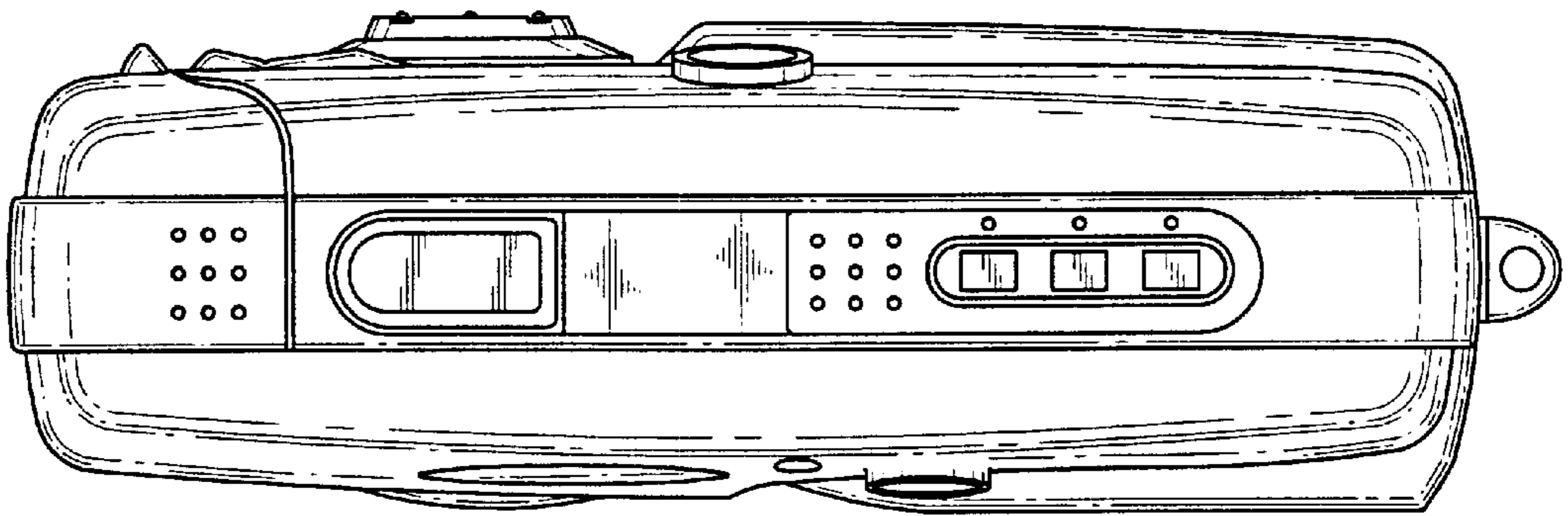


FIG.7

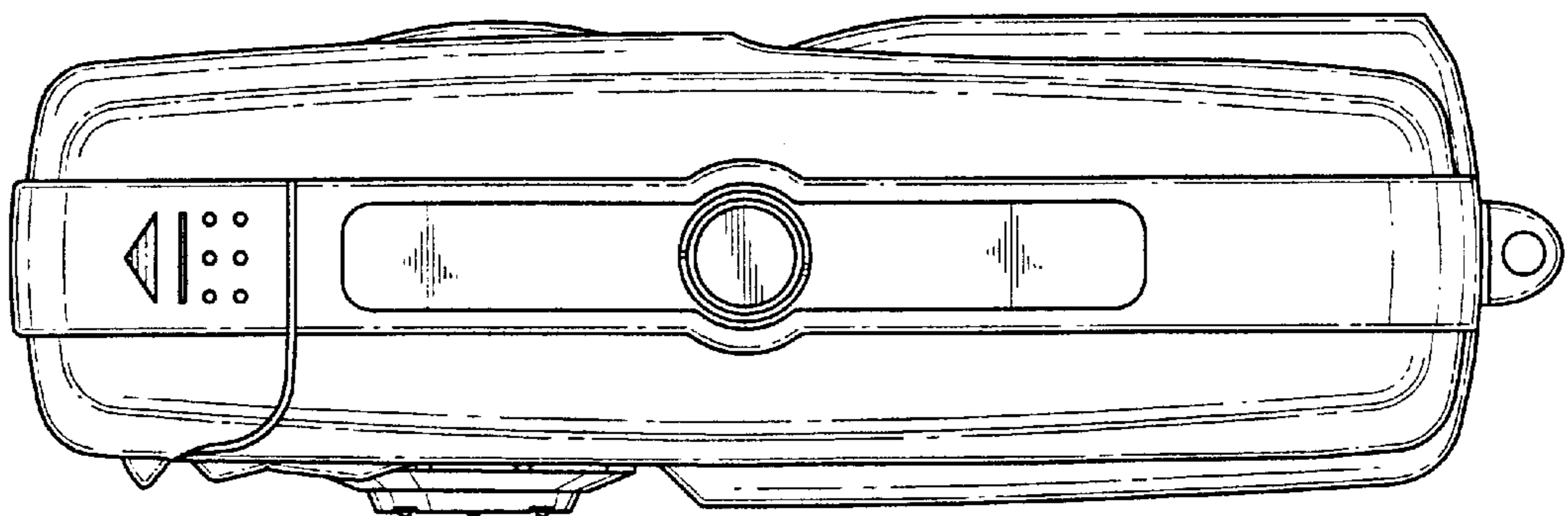


FIG.8

