



US00D484157S

(12) **United States Design Patent**
Watanabe et al.

(10) **Patent No.:** **US D484,157 S**

(45) **Date of Patent:** **** Dec. 23, 2003**

(54) **DIGITAL STILL CAMERA**

D470,162 S * 2/2003 Nakamura et al. D16/202
D473,886 S * 4/2003 Katayama D16/202

(75) Inventors: **Seiichi Watanabe**, Yawata (JP);
Makoto Nakamura, Kyoto (JP)

OTHER PUBLICATIONS

(73) Assignee: **Matsushita Electric Industrial Co., Ltd.**, Osaka (JP)

Copy of catalog published by Sony in May, 2002.
Copy of catalog published by F 7 Lumix on Oct. 20, 2001.

(**) Term: **14 Years**

* cited by examiner

(21) Appl. No.: **29/176,661**

Primary Examiner—Adir Aronovich

(22) Filed: **Feb. 25, 2003**

(74) *Attorney, Agent, or Firm*—Brinks Hofer Gilson & Lione

(30) **Foreign Application Priority Data**

(57) **CLAIM**

Aug. 26, 2002 (JP) 2002-022728

The ornamental design for a digital still camera, as shown and described.

(51) **LOC (7) Cl.** **16-01**

DESCRIPTION

(52) **U.S. Cl.** **D16/202; D16/218**

(58) **Field of Search** D16/200–205,
D16/208, 209, 218; 348/373–376; 358/906,
909.1; 396/535–541

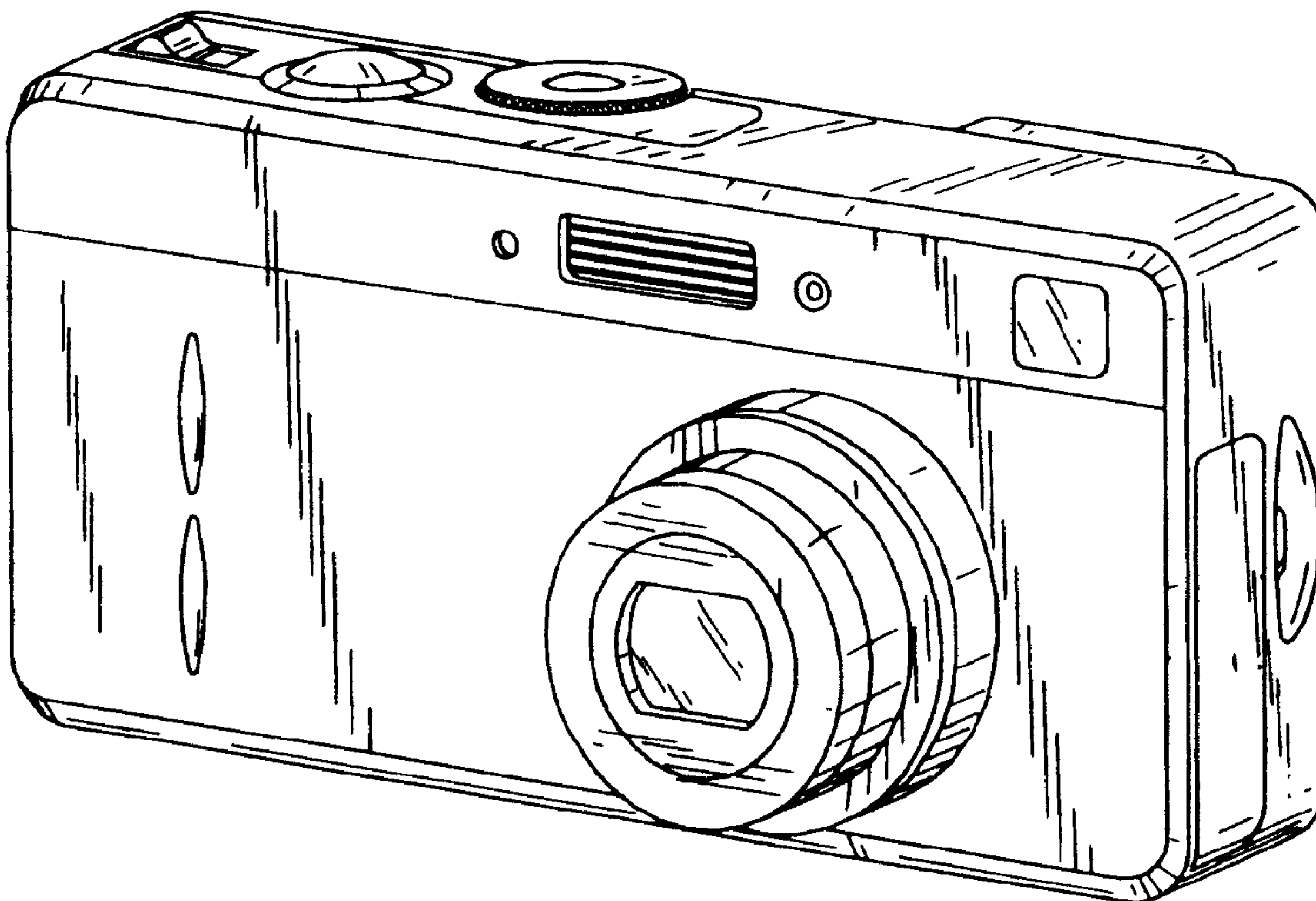
FIG. 1 is a top perspective view of a digital still camera of the present invention;
FIG. 2 is a front view thereof;
FIG. 3 is a rear view thereof;
FIG. 4 is a first side view thereof;
FIG. 5 is a second side view thereof;
FIG. 6 is a top view thereof; and,
FIG. 7 is a bottom view thereof.

(56) **References Cited**

U.S. PATENT DOCUMENTS

D445,440 S * 7/2001 Chen D16/202
D449,628 S * 10/2001 Obata et al. D16/202
6,434,337 B1 * 8/2002 Misawa 358/909.1

1 Claim, 7 Drawing Sheets



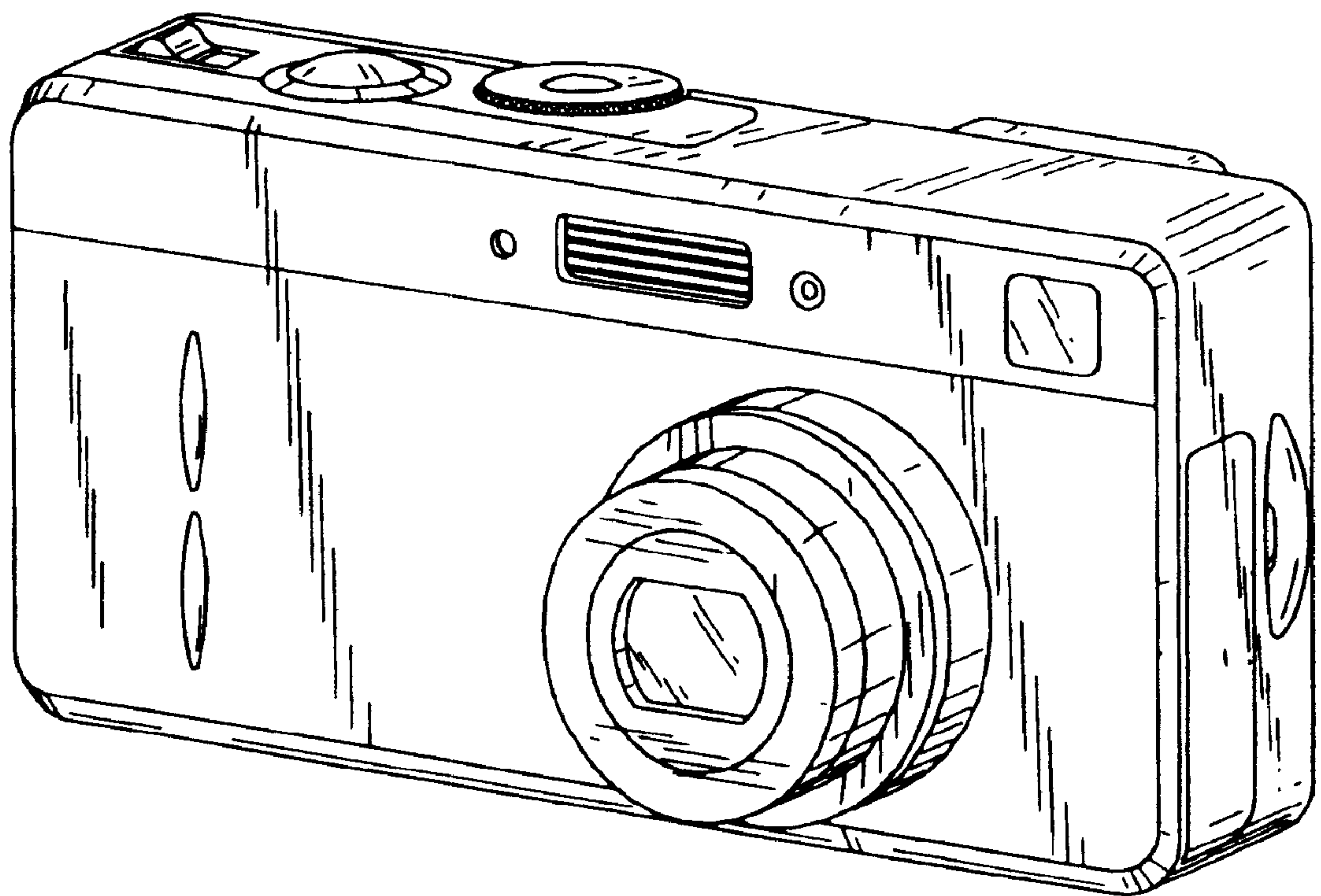


FIG 1

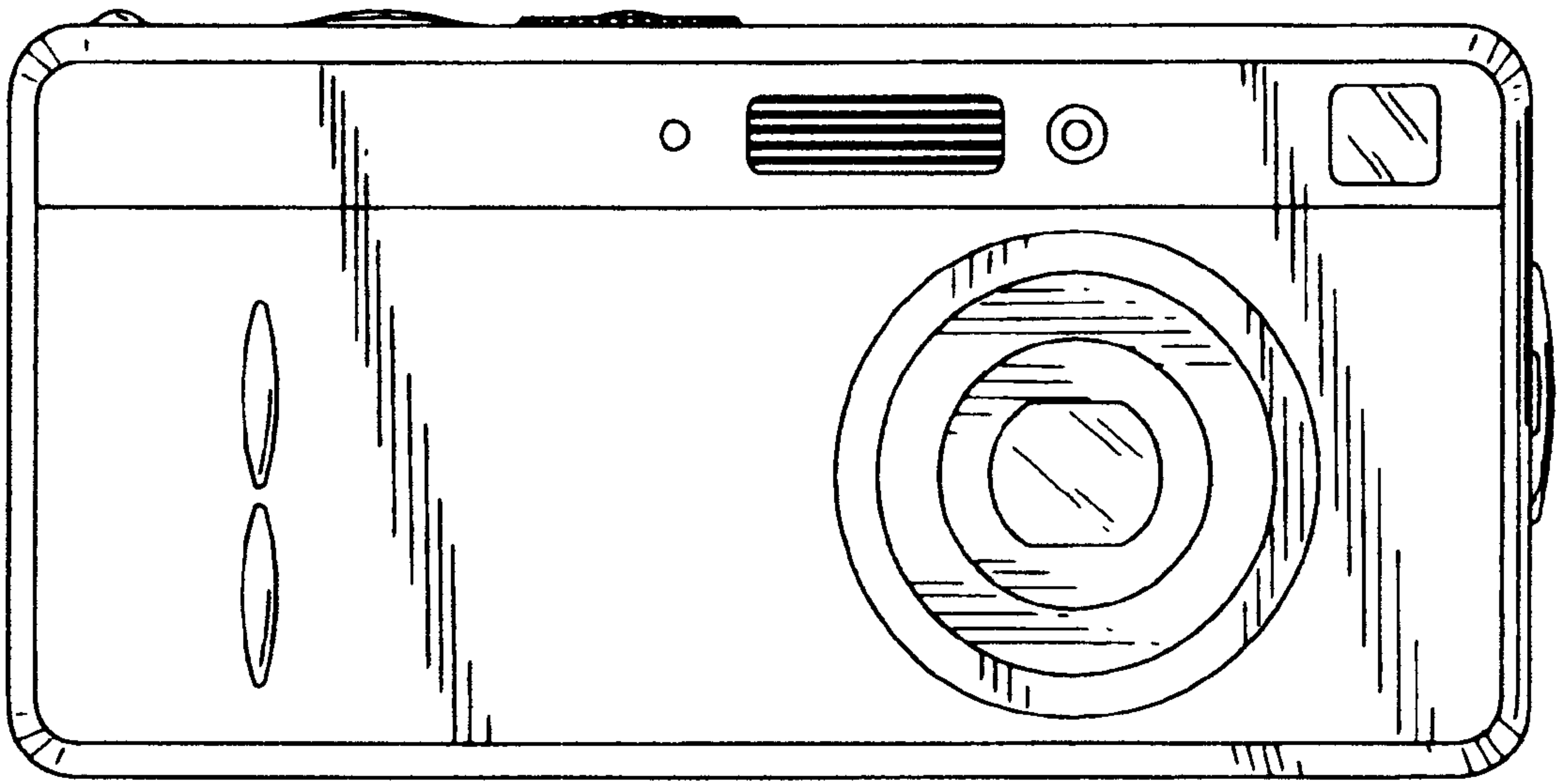


FIG 2

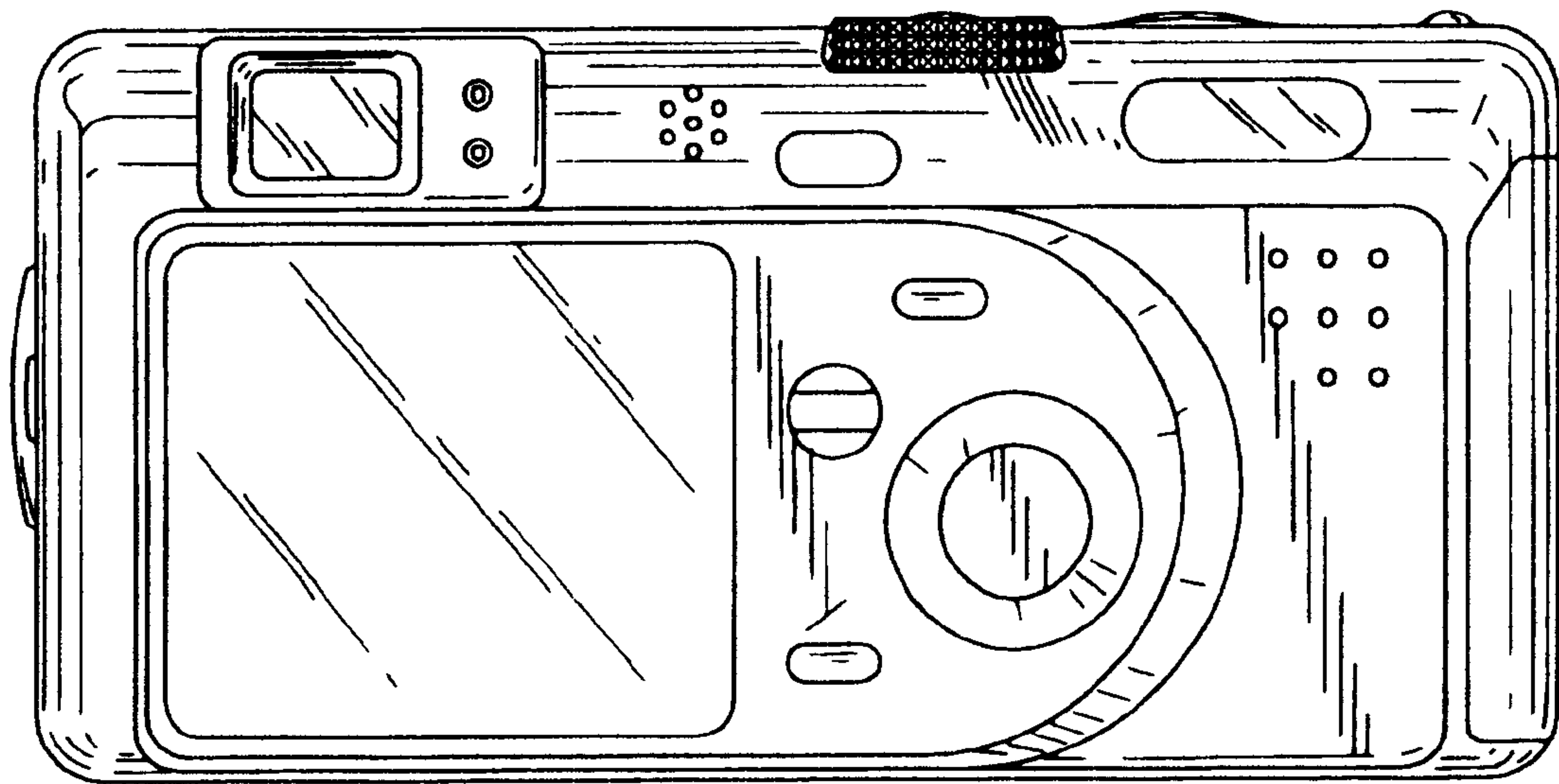


FIG 3

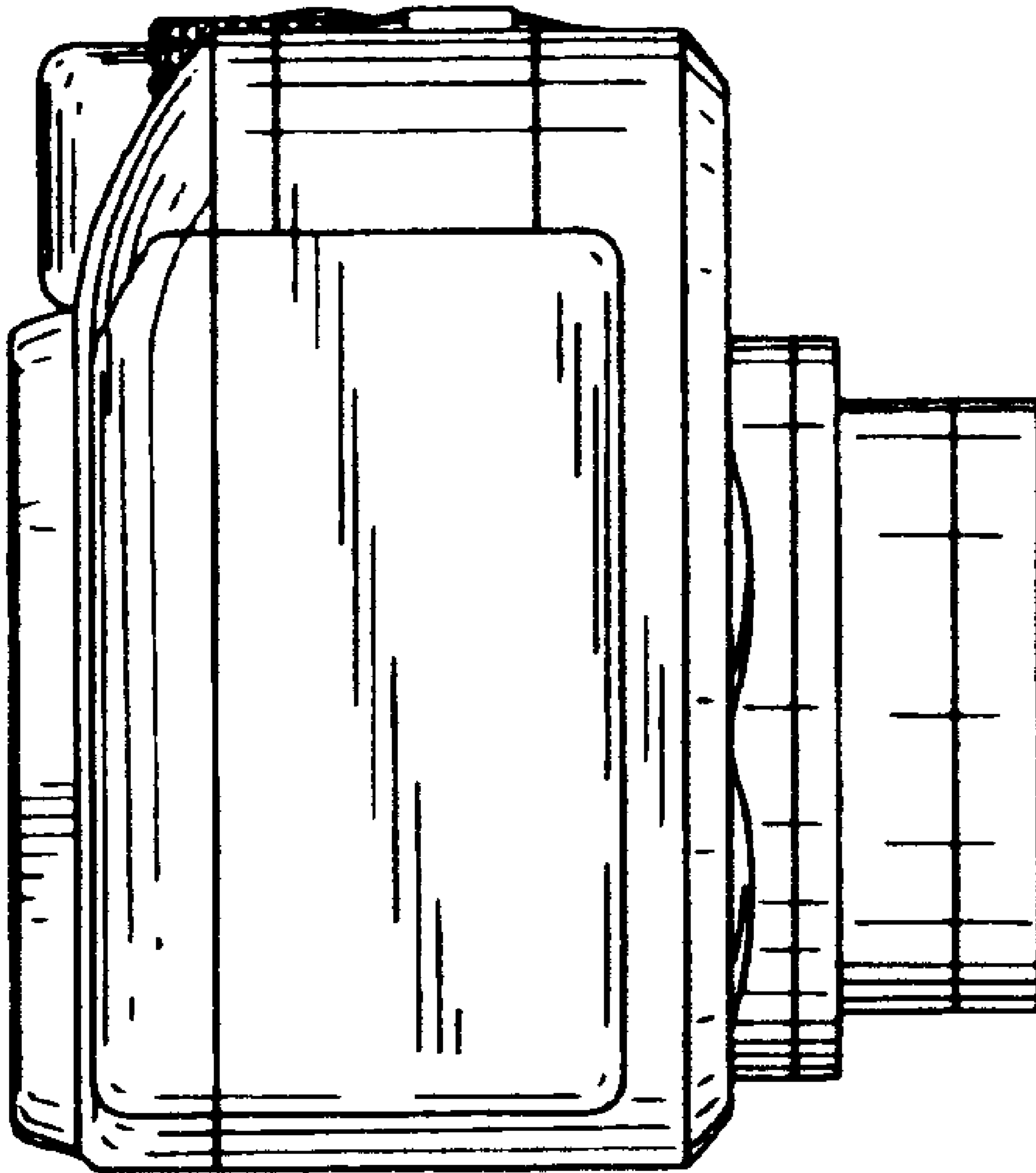


FIG 4

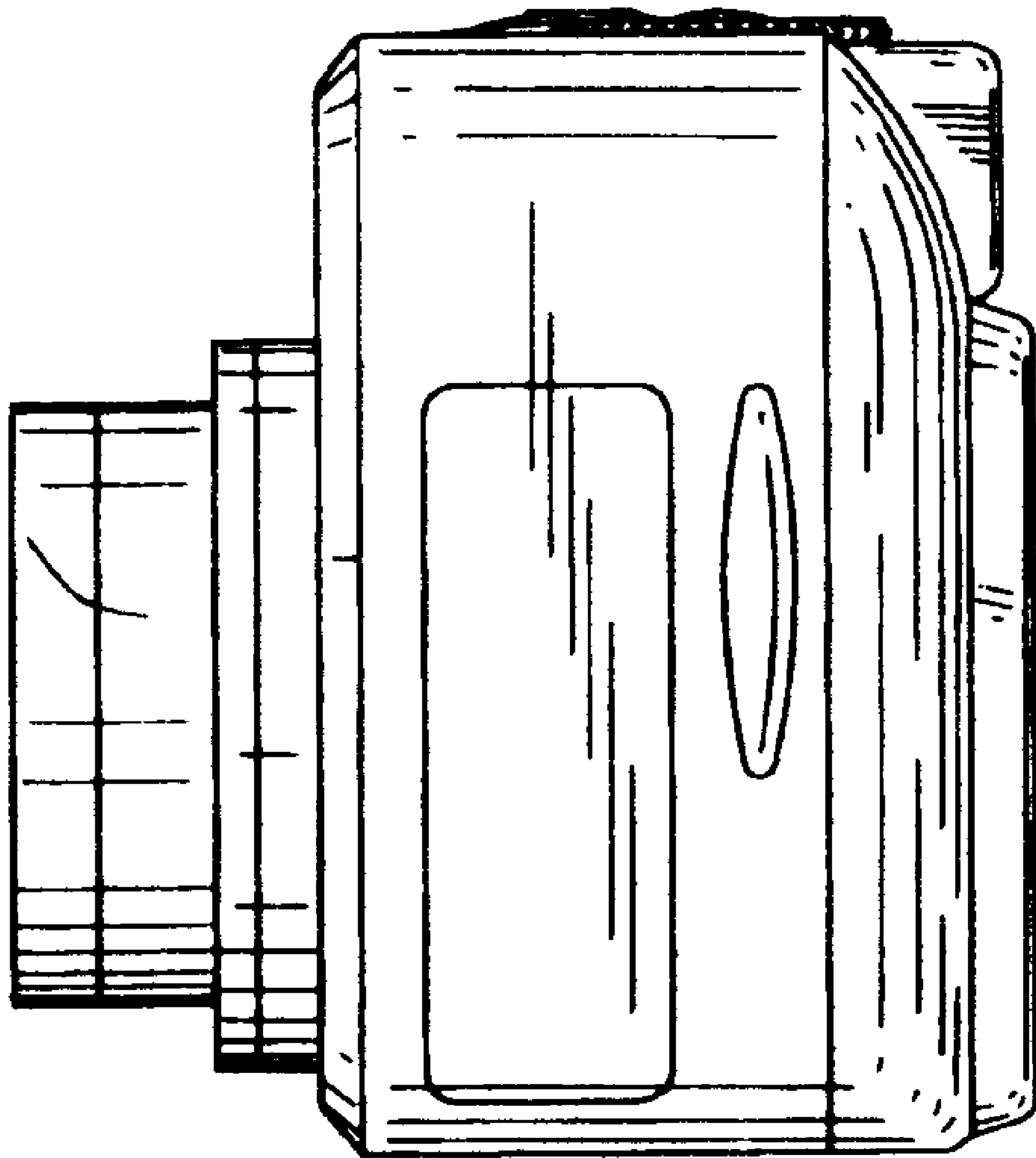


FIG 5

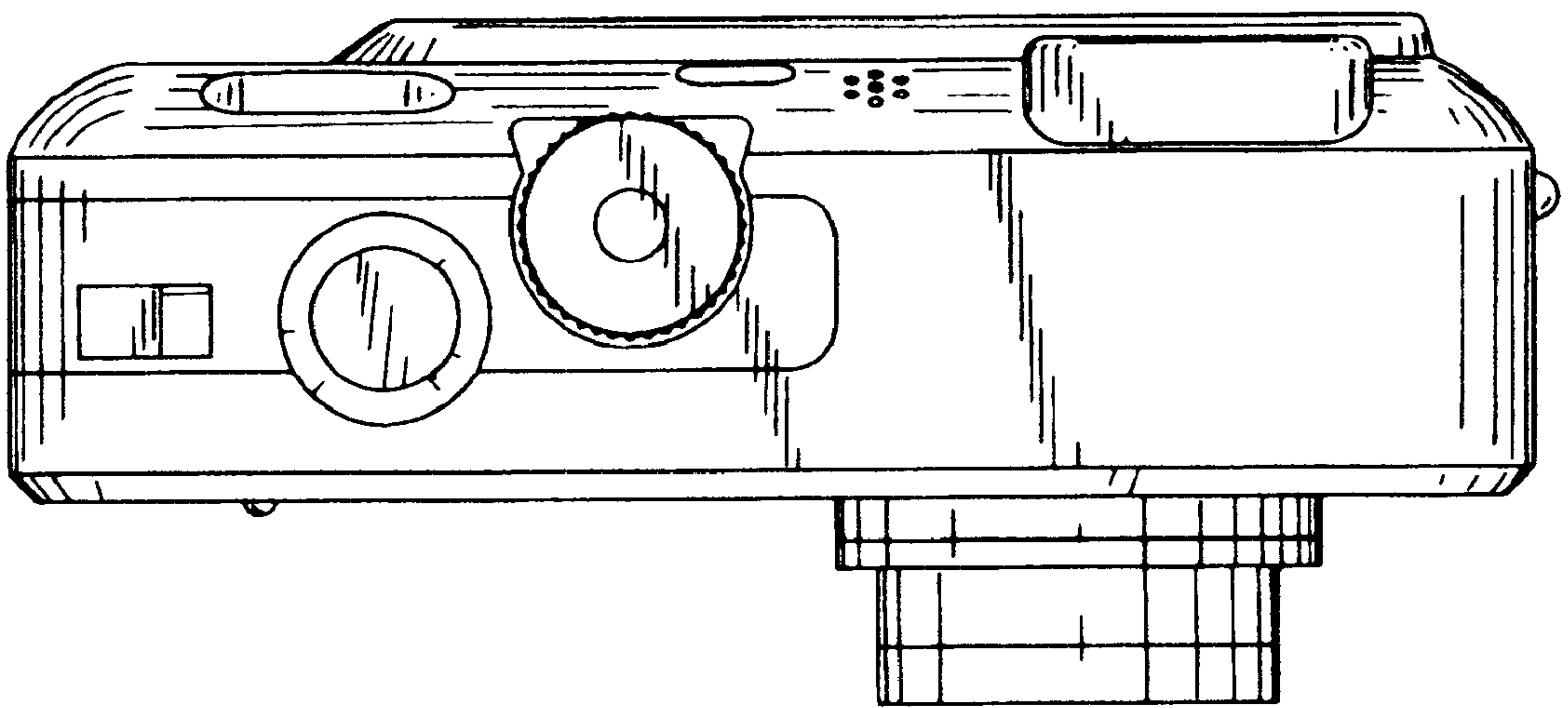


FIG 6

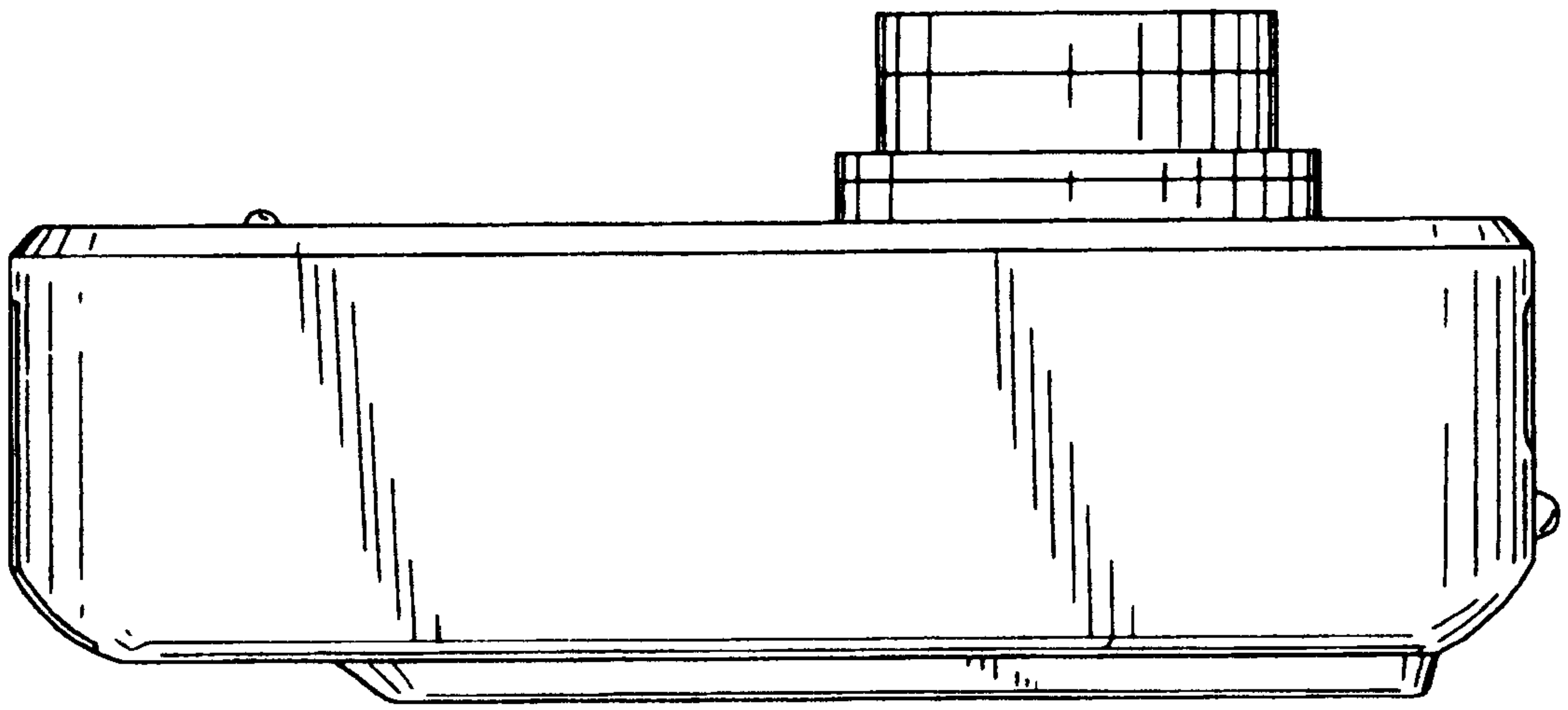


FIG 7