



US00D484155S

(12) **United States Design Patent**
Lannestedt et al.

(10) **Patent No.:** **US D484,155 S**

(45) **Date of Patent:** **** Dec. 23, 2003**

(54) **INFRARED CAMERA INCLUDING A SLAVE MONITOR WITH SYSTEM CONTROL**

(75) Inventors: **Tomas Lannestedt**, Danderyd (SE); **Lars Heimer**, Danderyd (SE); **Rune Bergqvist**, Danderyd (SE); **Kjell Lindström**, Danderyd (SE); **Torbjörn Hamrelius**, Danderyd (SE); **Jan Lewerentz**, Danderyd (SE)

(73) Assignee: **Flir Systems AB**, Danderyd (SE)

(**) Term: **14 Years**

(21) Appl. No.: **29/166,627**

(22) Filed: **Sep. 3, 2002**

(30) **Foreign Application Priority Data**

Mar. 1, 2002 (SE) 02-0396

(51) **LOC (7) Cl.** **16-01**

(52) **U.S. Cl.** **D16/202**

(58) **Field of Search** D16/200–206;
348/373–376; 358/906; 396/535, 540, 541

(56) **References Cited**

U.S. PATENT DOCUMENTS

D316,556 S * 4/1991 Reddig et al. D16/209

5,469,271 A * 11/1995 Hoshino et al. 358/906
5,592,224 A * 1/1997 Shim 348/373
D414,195 S * 9/1999 Shiozaki et al. D16/202
D431,041 S * 9/2000 Sekine D16/202

* cited by examiner

Primary Examiner—Adir Aronovich
(74) *Attorney, Agent, or Firm*—Young & Thompson

(57) **CLAIM**

The ornamental design for an infrared camera including a slave monitor with system control, as shown.

DESCRIPTION

FIG. 1 is a right side elevational view of an infrared camera including a slave monitor with system control, showing our new design;

FIG. 2 is a left side elevational thereof;

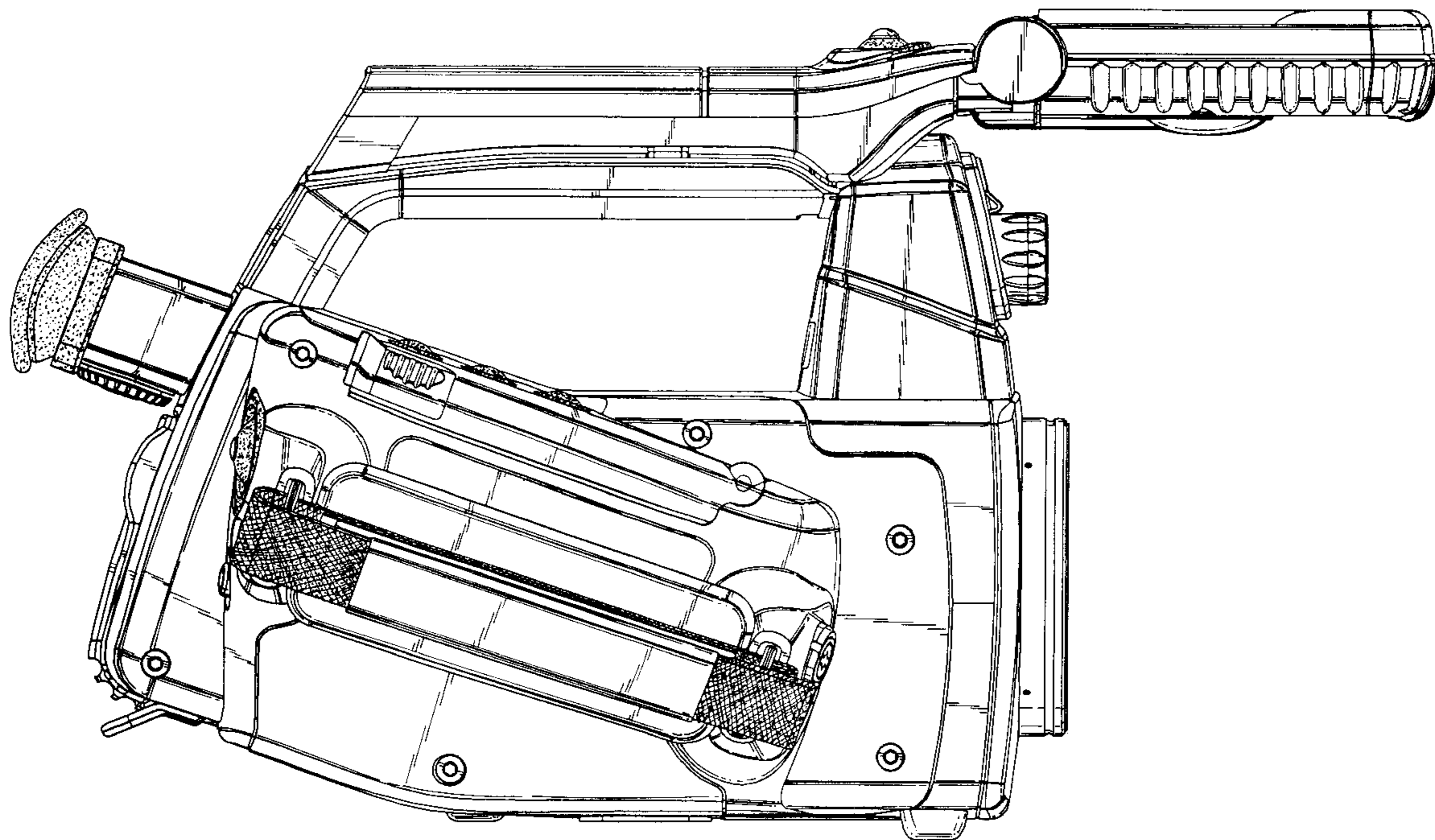
FIG. 3 is a top plan view thereof;

FIG. 4 is a bottom plan view thereof;

FIG. 5 is a front elevational view thereof; and,

FIG. 6 is a rear elevational view thereof.

1 Claim, 6 Drawing Sheets



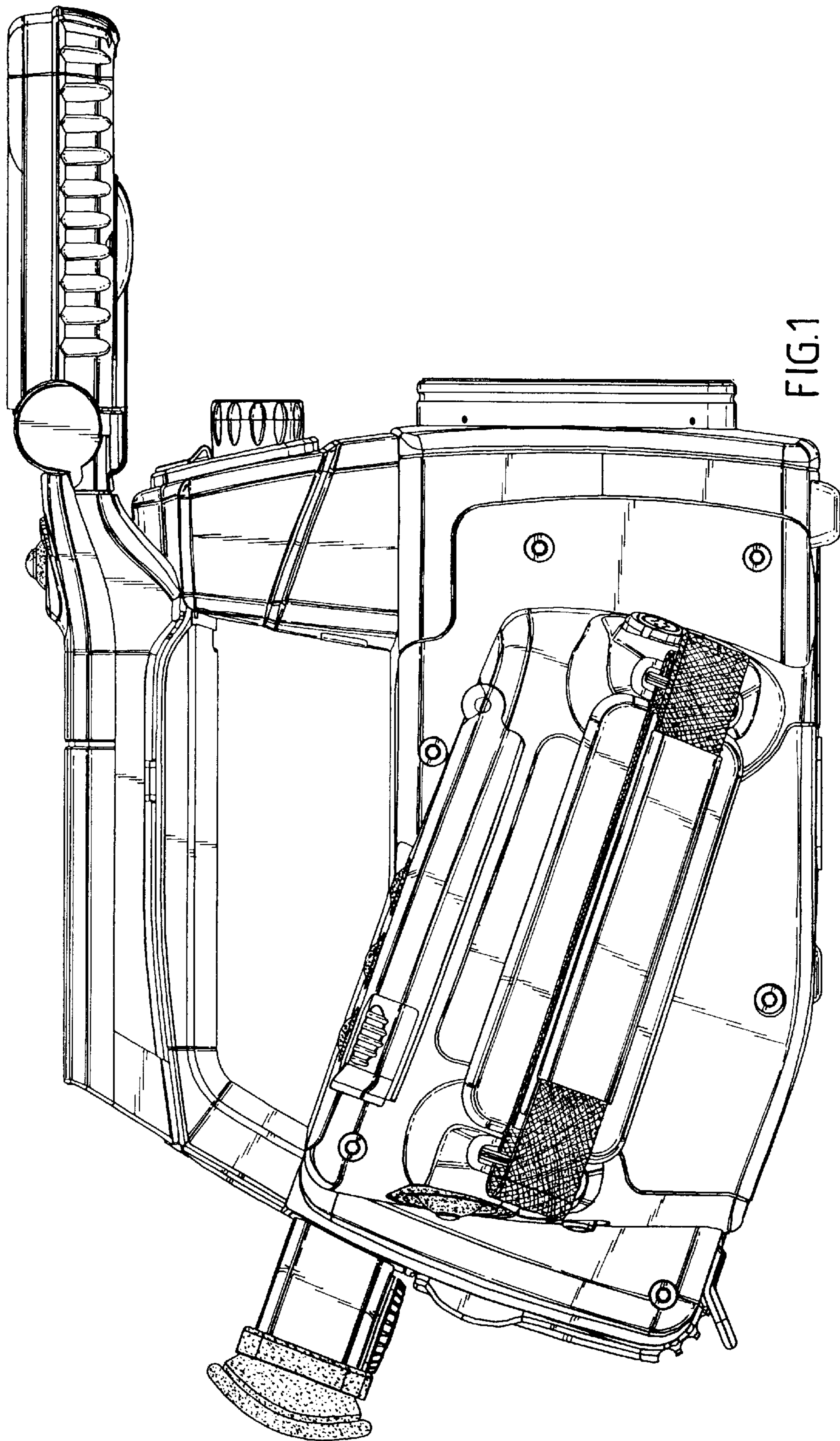


FIG. 1

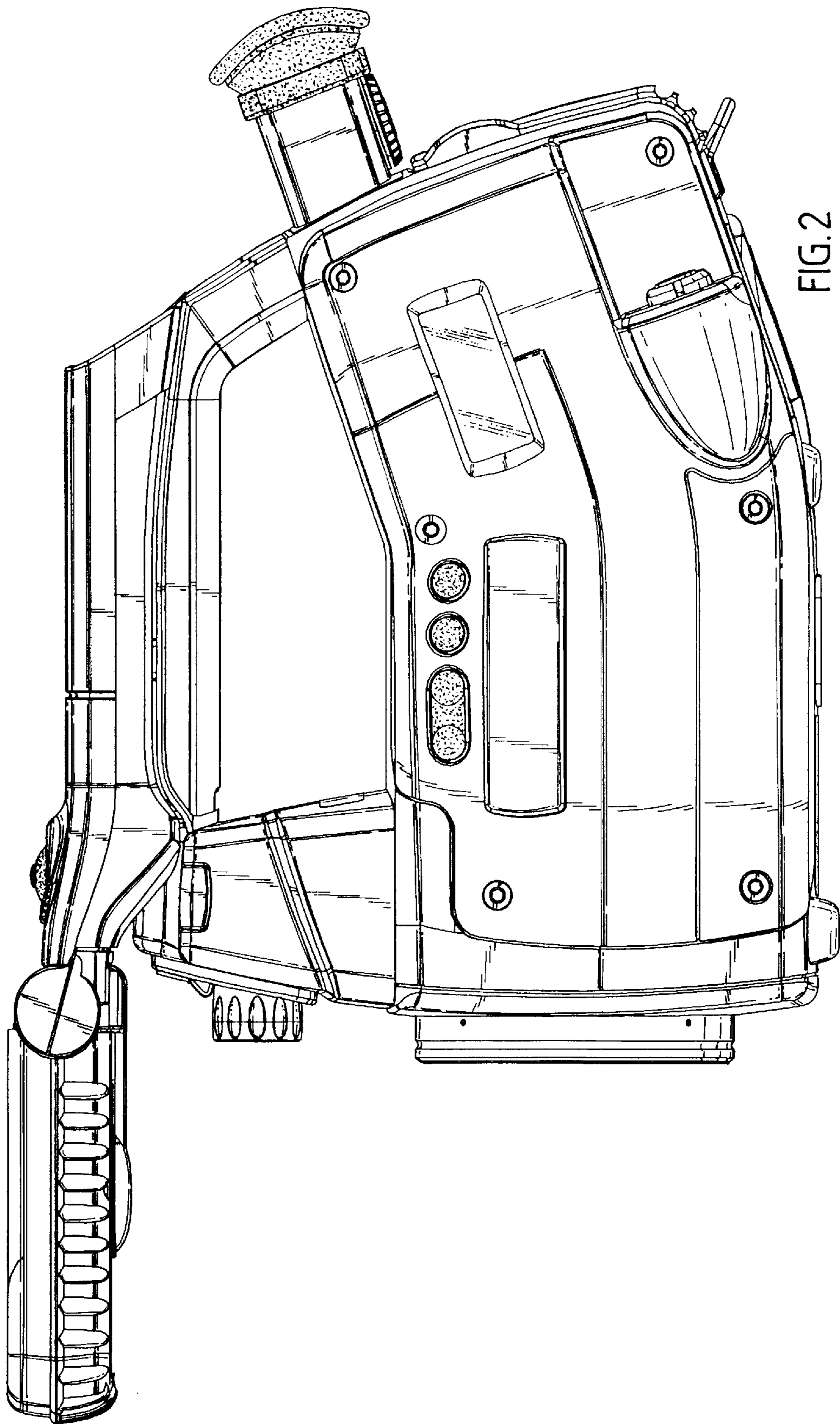


FIG. 2

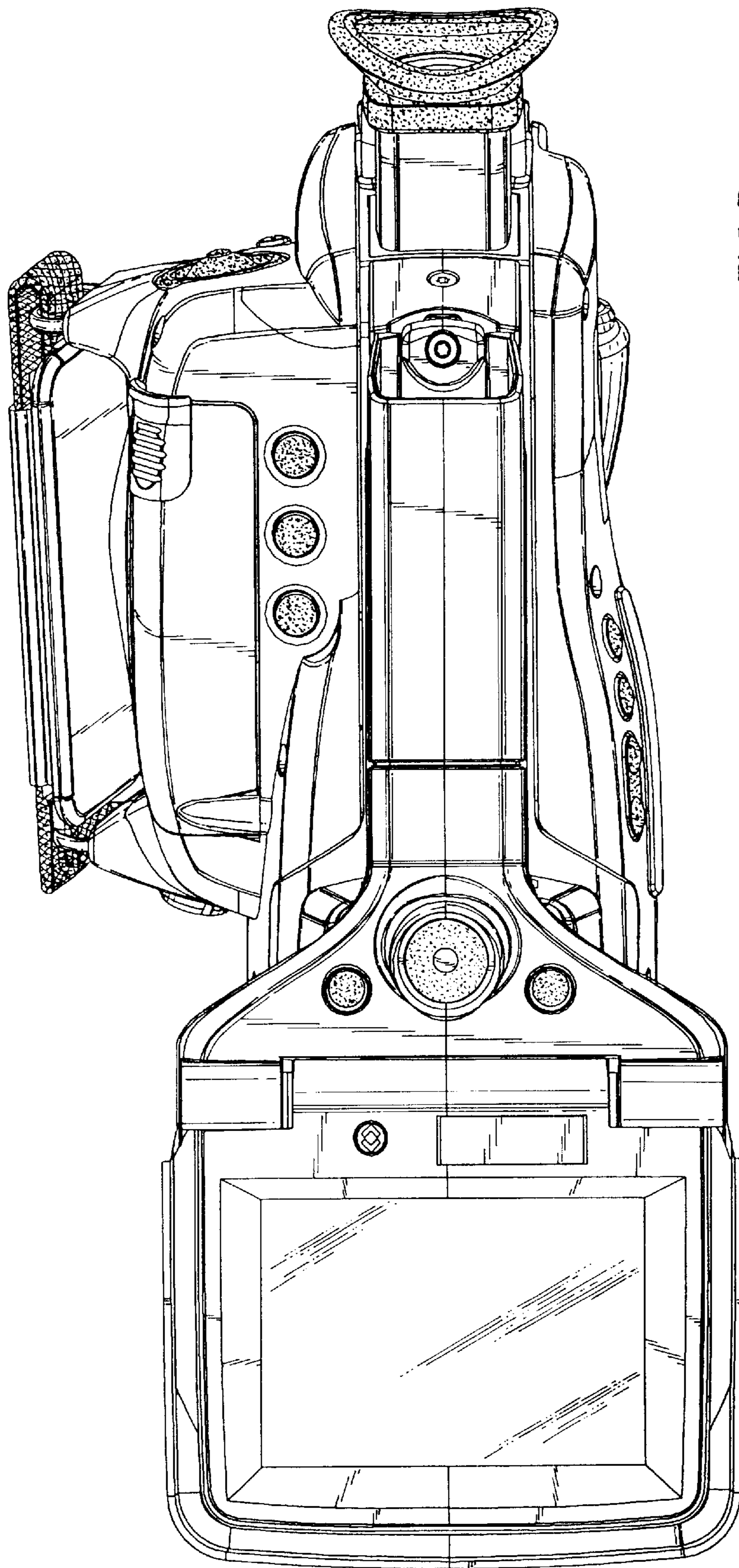


FIG. 3

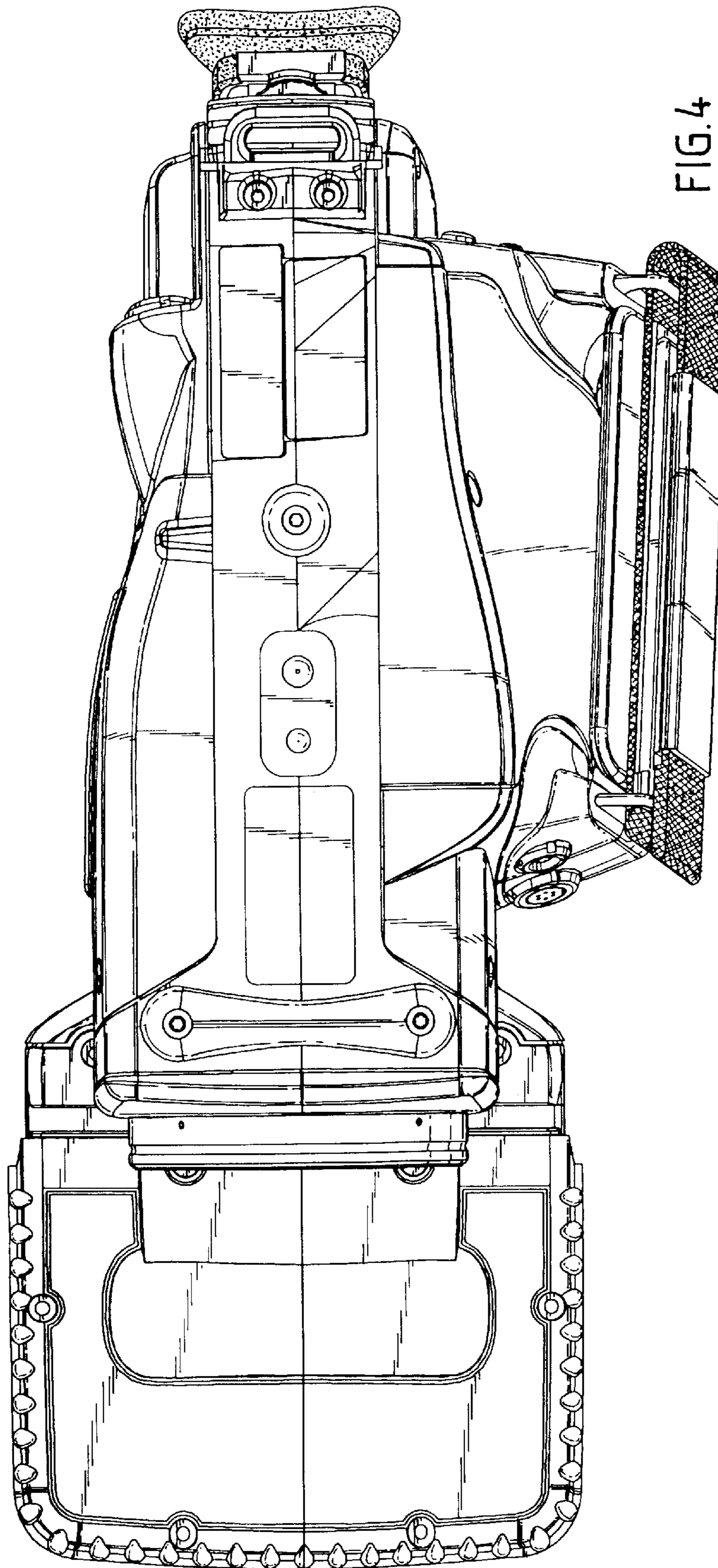


FIG. 4

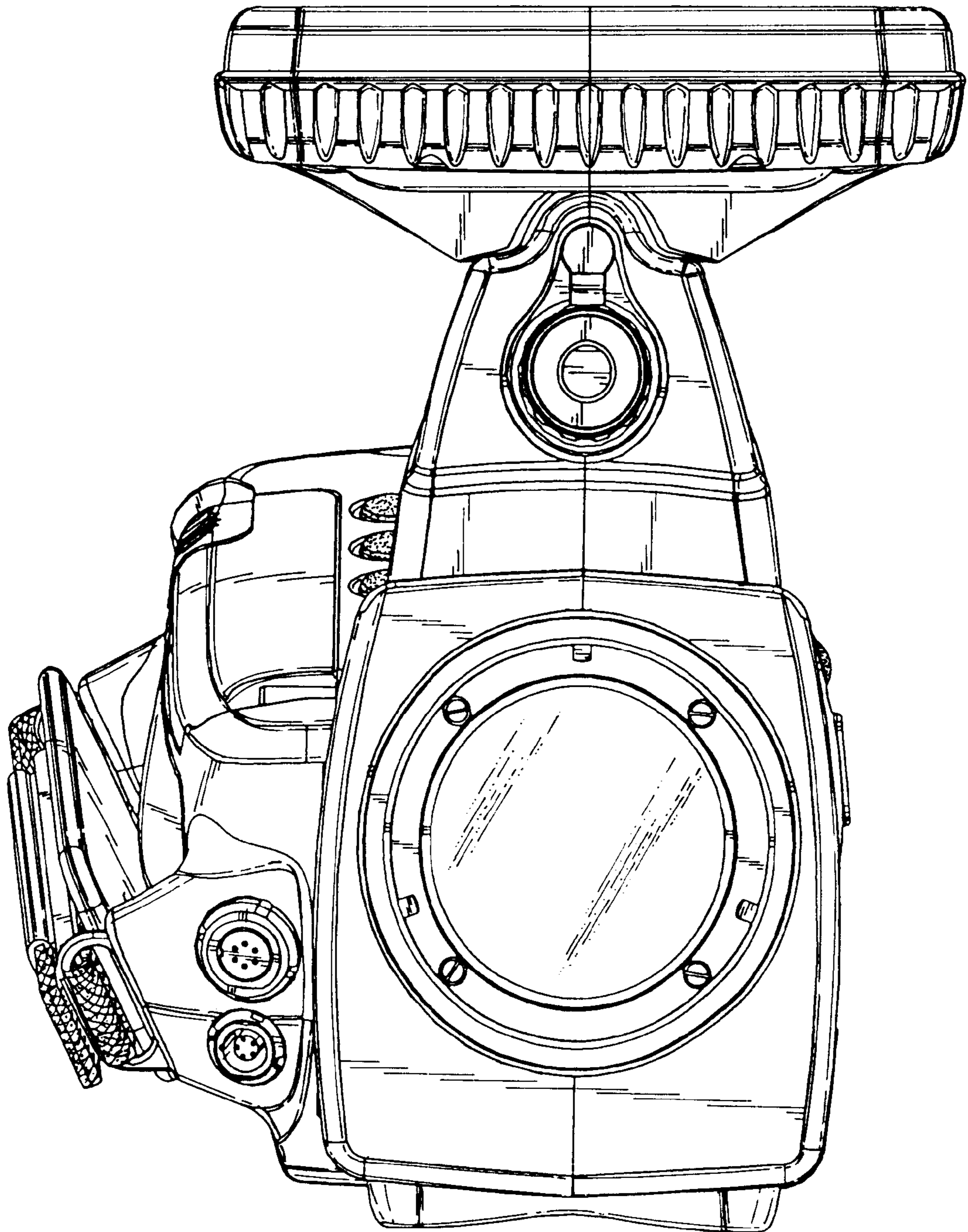


FIG. 5

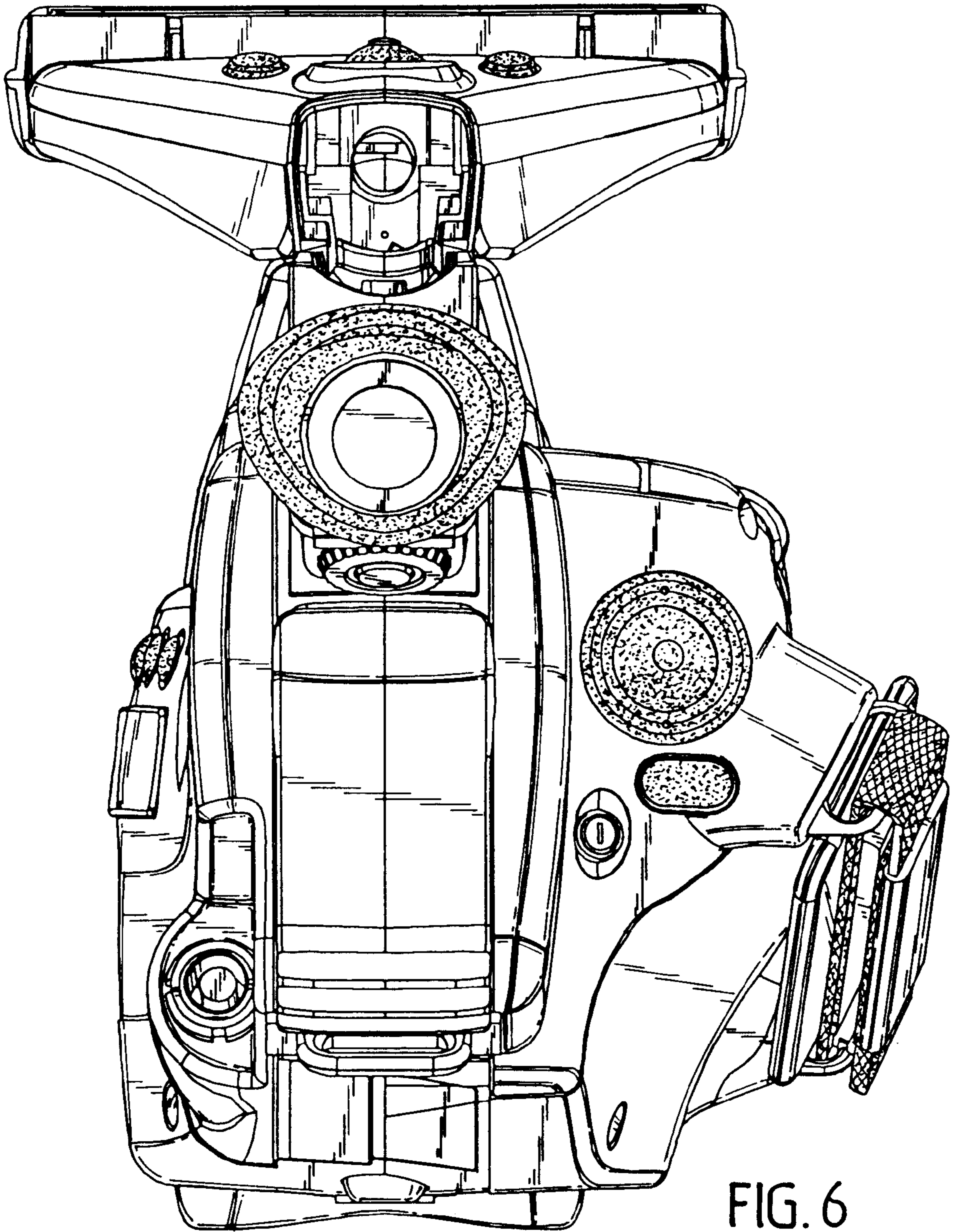


FIG. 6