



US00D484154S

(12) **United States Design Patent**  
**Treadwell et al.**

(10) **Patent No.:** **US D484,154 S**

(45) **Date of Patent:** **\*\* Dec. 23, 2003**

(54) **ROBOTIC DEVICE**

(75) Inventors: **Simon Treadwell**, Etobicoke (CA);  
**James Cheung**, Mississauga (CA);  
**Roger B. Hertz**, Burlington (CA);  
**Thomas I. Hatherley**, Oakville (CA);  
**Michael P. Riff**, Burlington (CA)

(73) Assignee: **Thermos CRS Ltd.** (CA)

(\*\*) Term: **14 Years**

(21) Appl. No.: **29/164,449**

(22) Filed: **Jul. 24, 2002**

(30) **Foreign Application Priority Data**

Jan. 25, 2002 (CA) ..... 2002-0216

(51) **LOC (7) Cl.** ..... **15-99**

(52) **U.S. Cl.** ..... **D15/199**

(58) **Field of Search** ..... D15/199; 414/729,  
414/735, 21, 404, 415; 901/15, 26, 21,  
22, 23, 28, 6; 74/665 H, 490.01; 192/48.9;  
12/1 A

(56) **References Cited**

**U.S. PATENT DOCUMENTS**

4,531,884 A \* 7/1985 Russell ..... 414/729

4,693,663 A \* 9/1987 Brenholt et al. .... 414/735  
4,765,011 A \* 8/1988 Leeper ..... 12/1 A  
4,766,775 A \* 8/1988 Hodge ..... 74/479  
5,544,683 A \* 8/1996 Guhl ..... 414/21 X

\* cited by examiner

*Primary Examiner*—Antoine Duval Davis

(74) *Attorney, Agent, or Firm*—Woodard, Emhardt,  
Moriarty, McNett & Henry LLP

(57) **CLAIM**

The ornamental design for a robotic device, as shown and described.

**DESCRIPTION**

FIG. 1 is a top, front and right side perspective view of the robotic device embodying the design;

FIG. 2 is a top, rear and right side perspective view thereof;

FIG. 3 is a top view thereof;

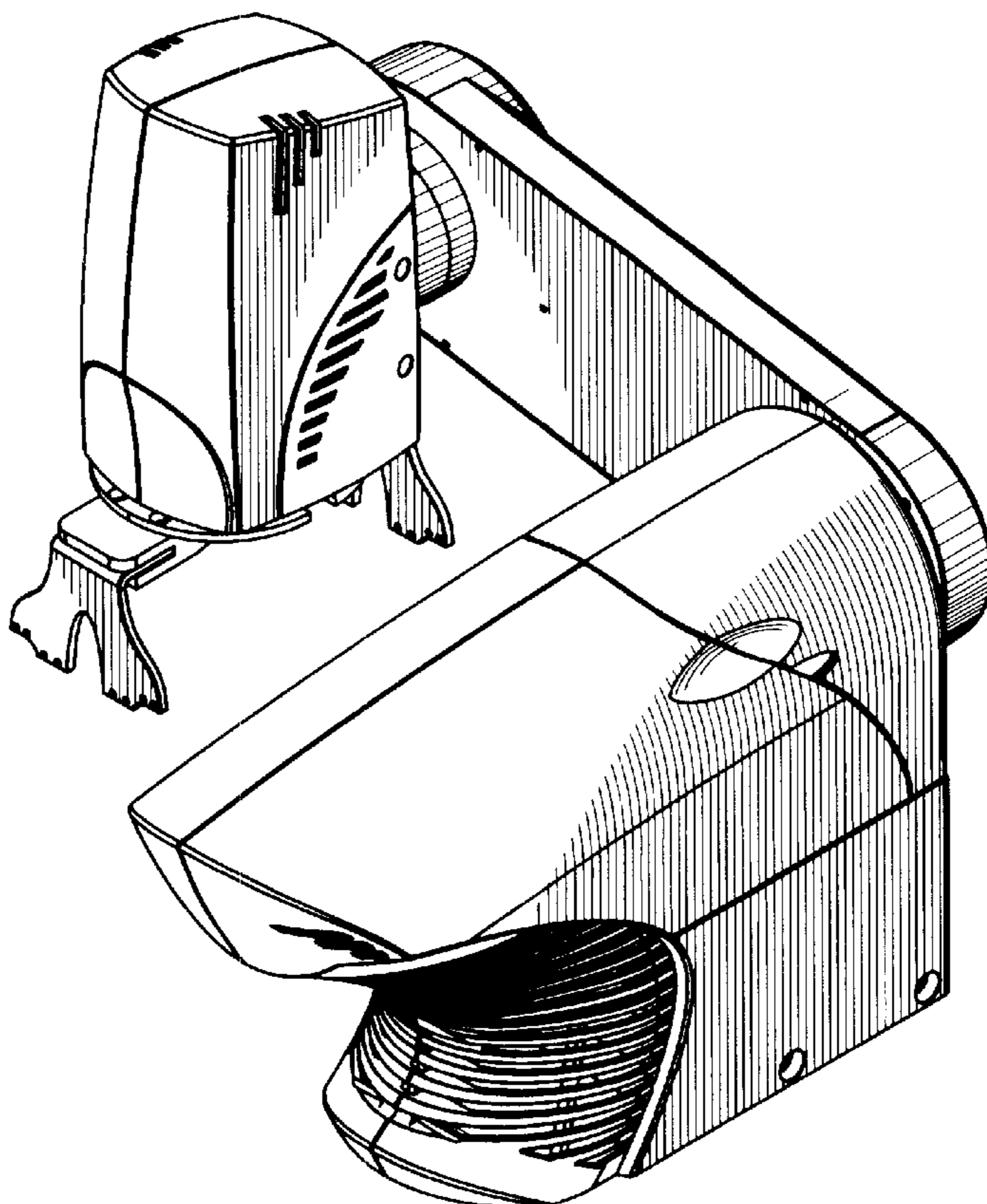
FIG. 4 is a front view thereof;

FIG. 5 is a right side view thereof;

FIG. 6 is a left side view thereof; and,

FIG. 7 is a perspective view similar to FIG. 1 showing the arm and head-extended to the opposite side of the body.

**1 Claim, 5 Drawing Sheets**



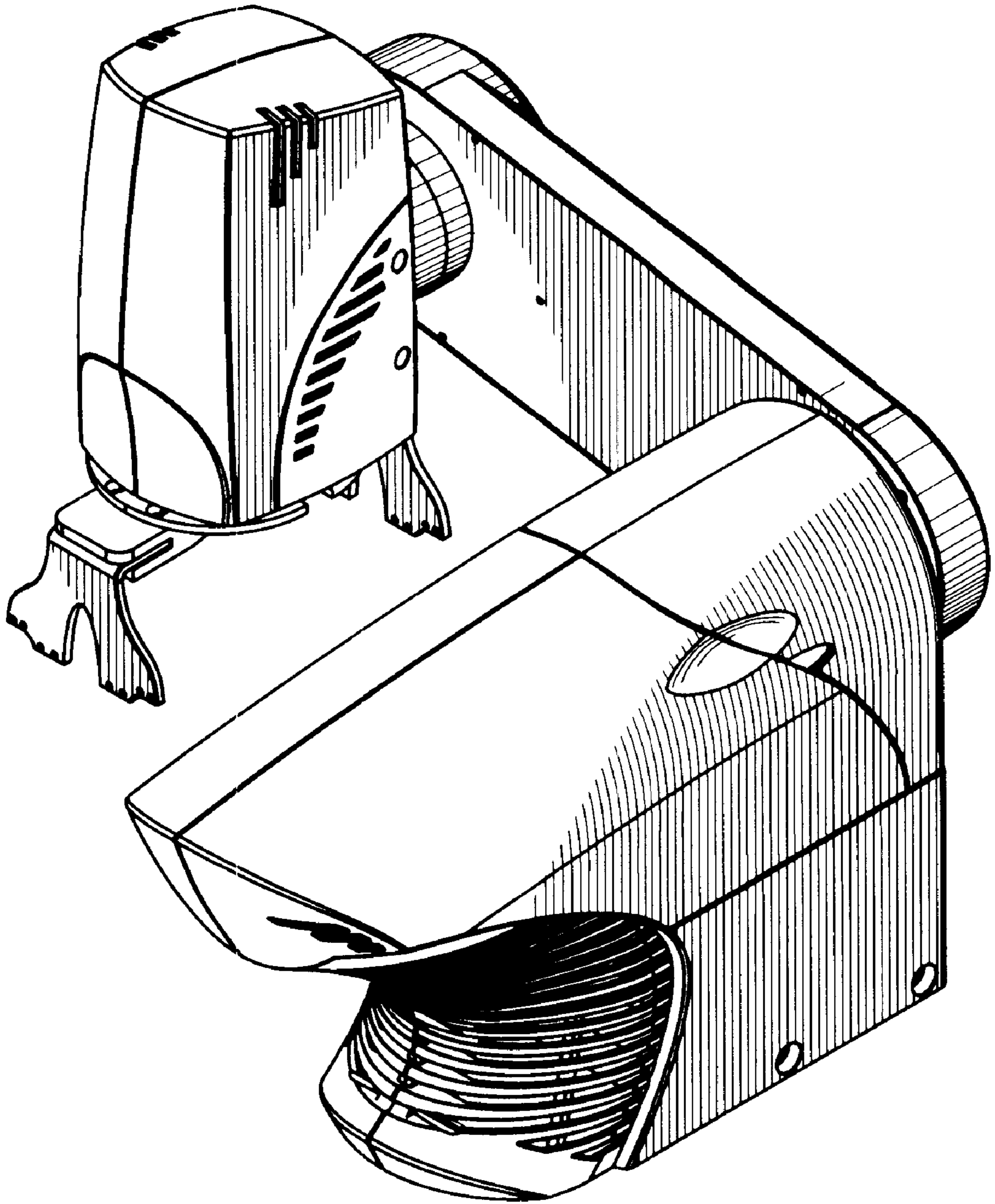


Fig. 1

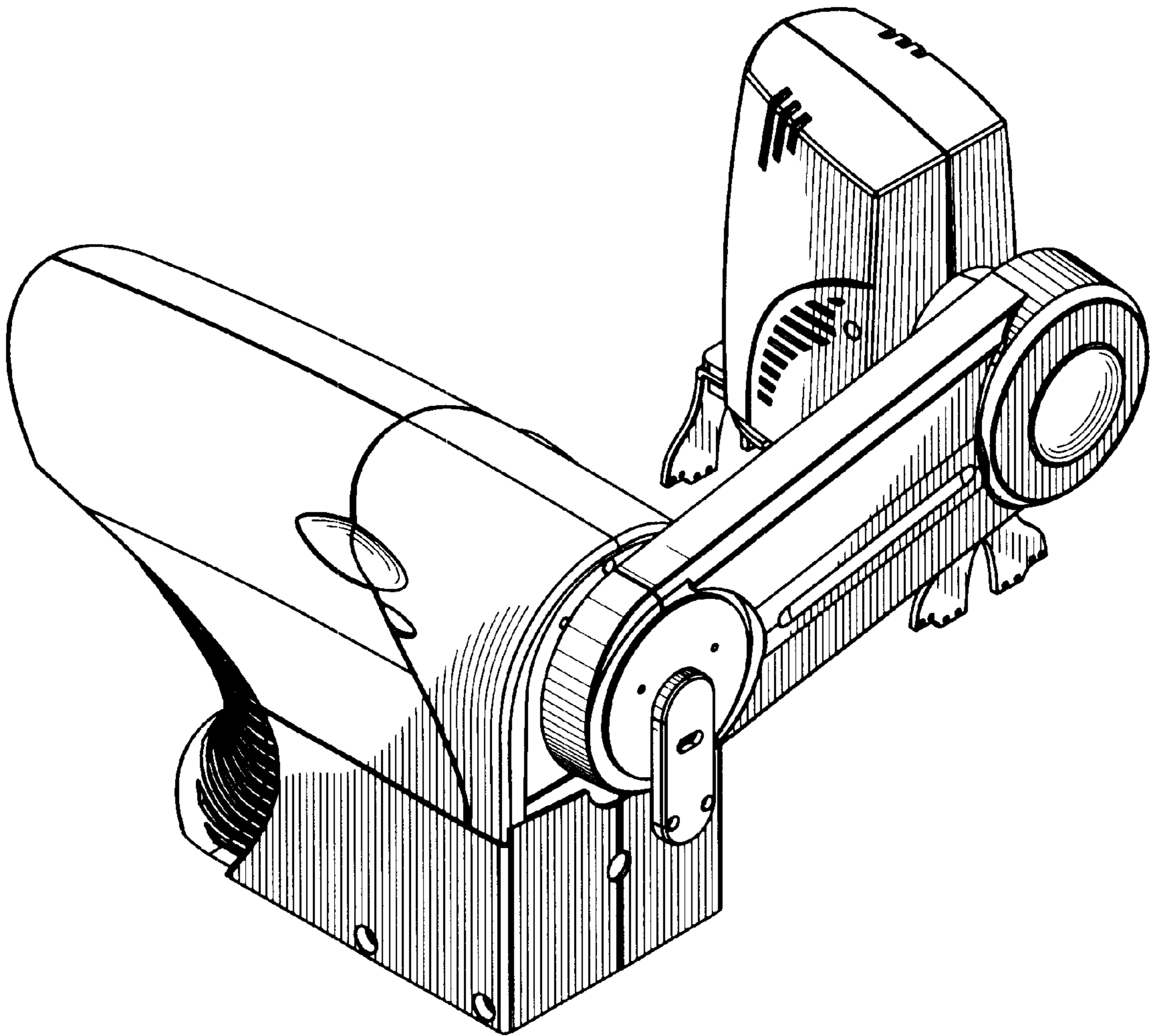


Fig. 2



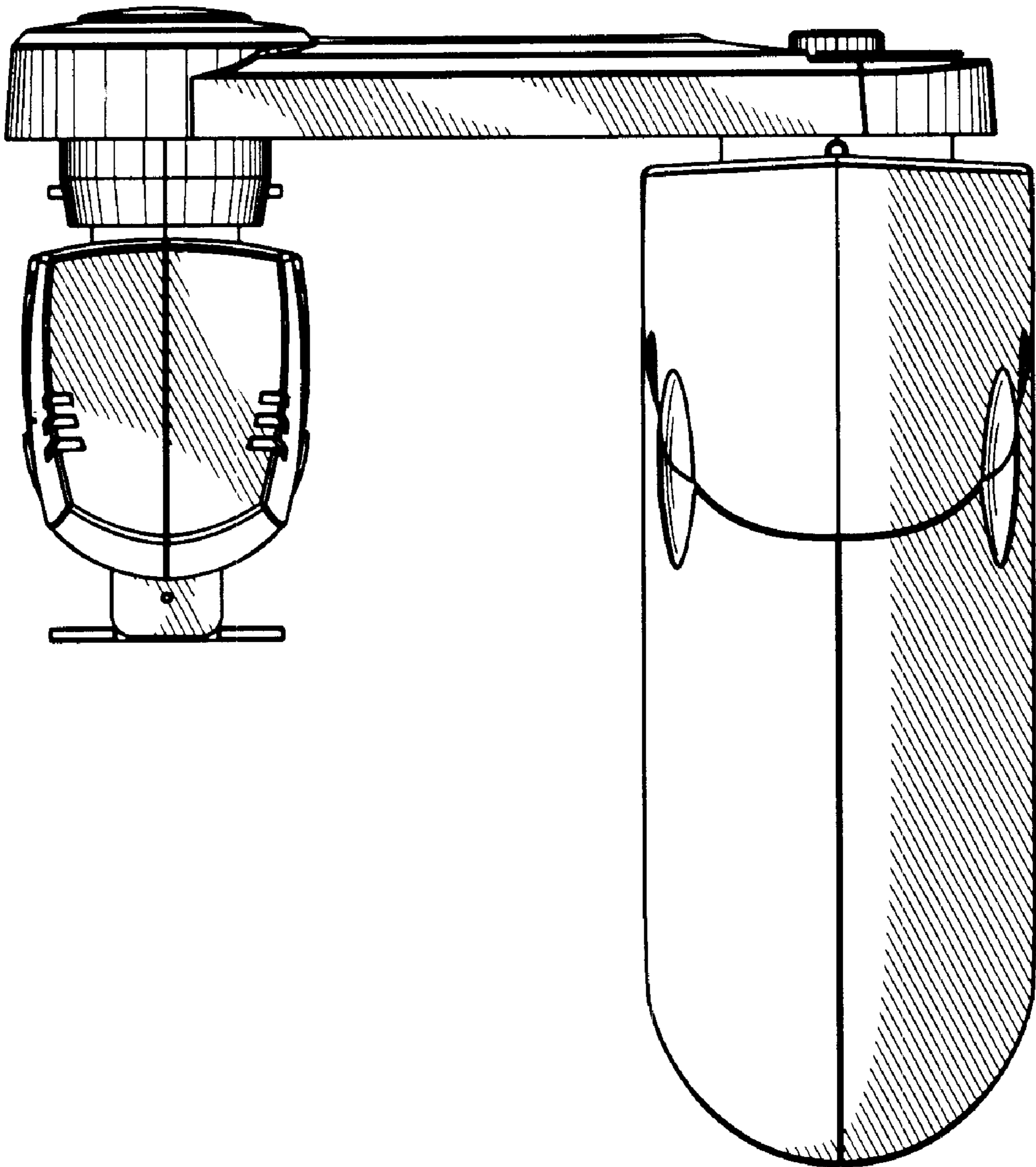


Fig. 3

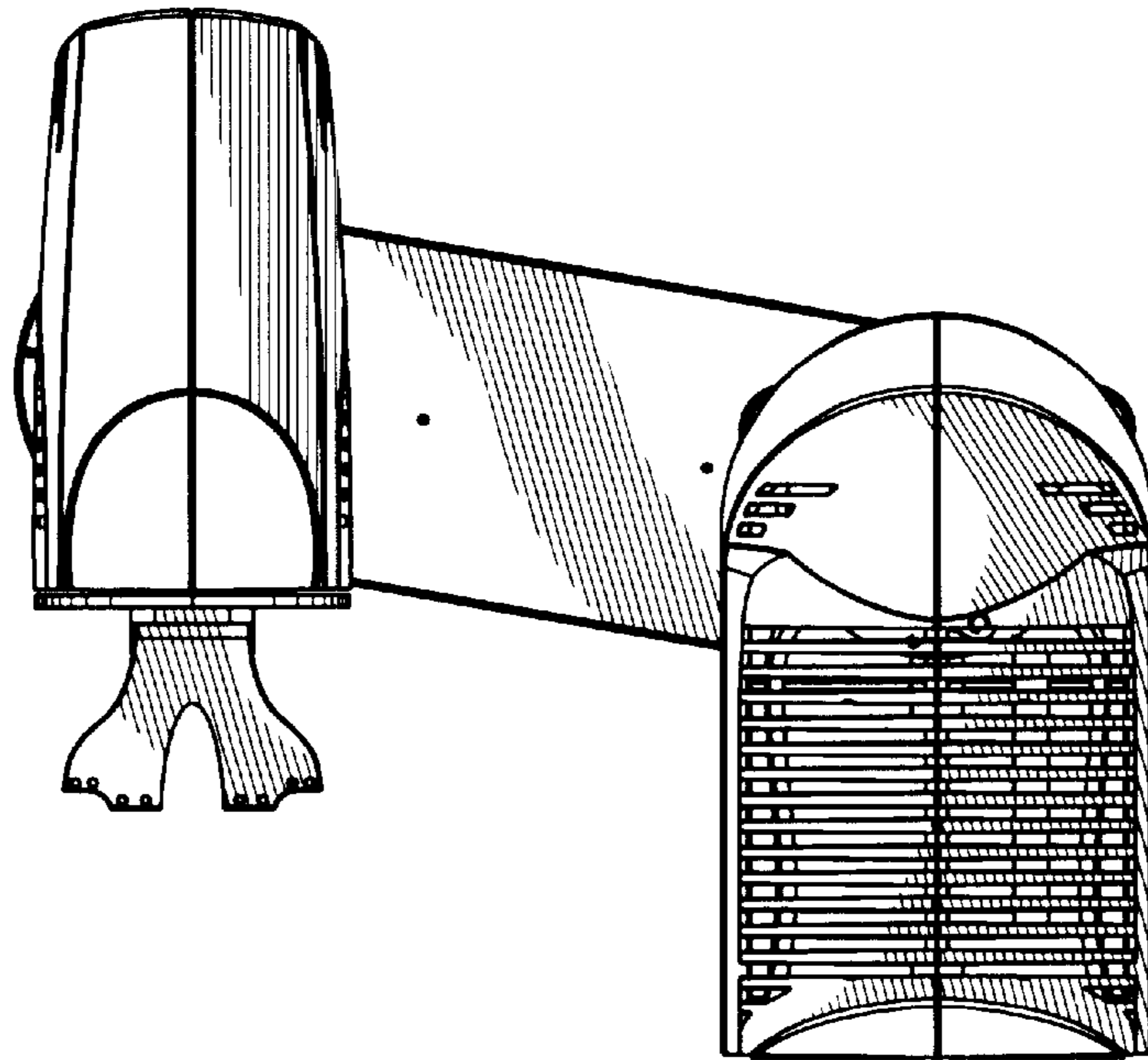


Fig. 4

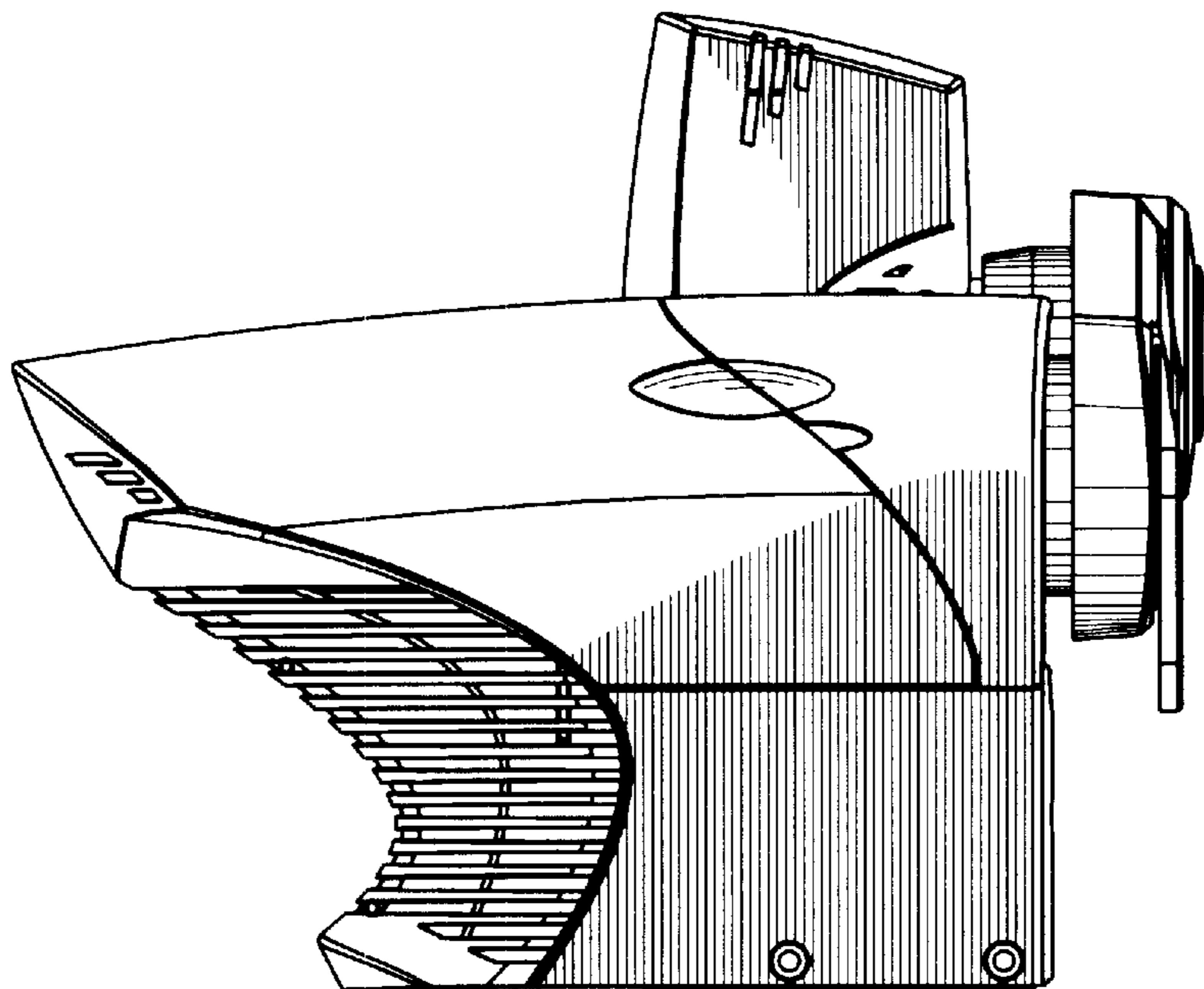


Fig. 5

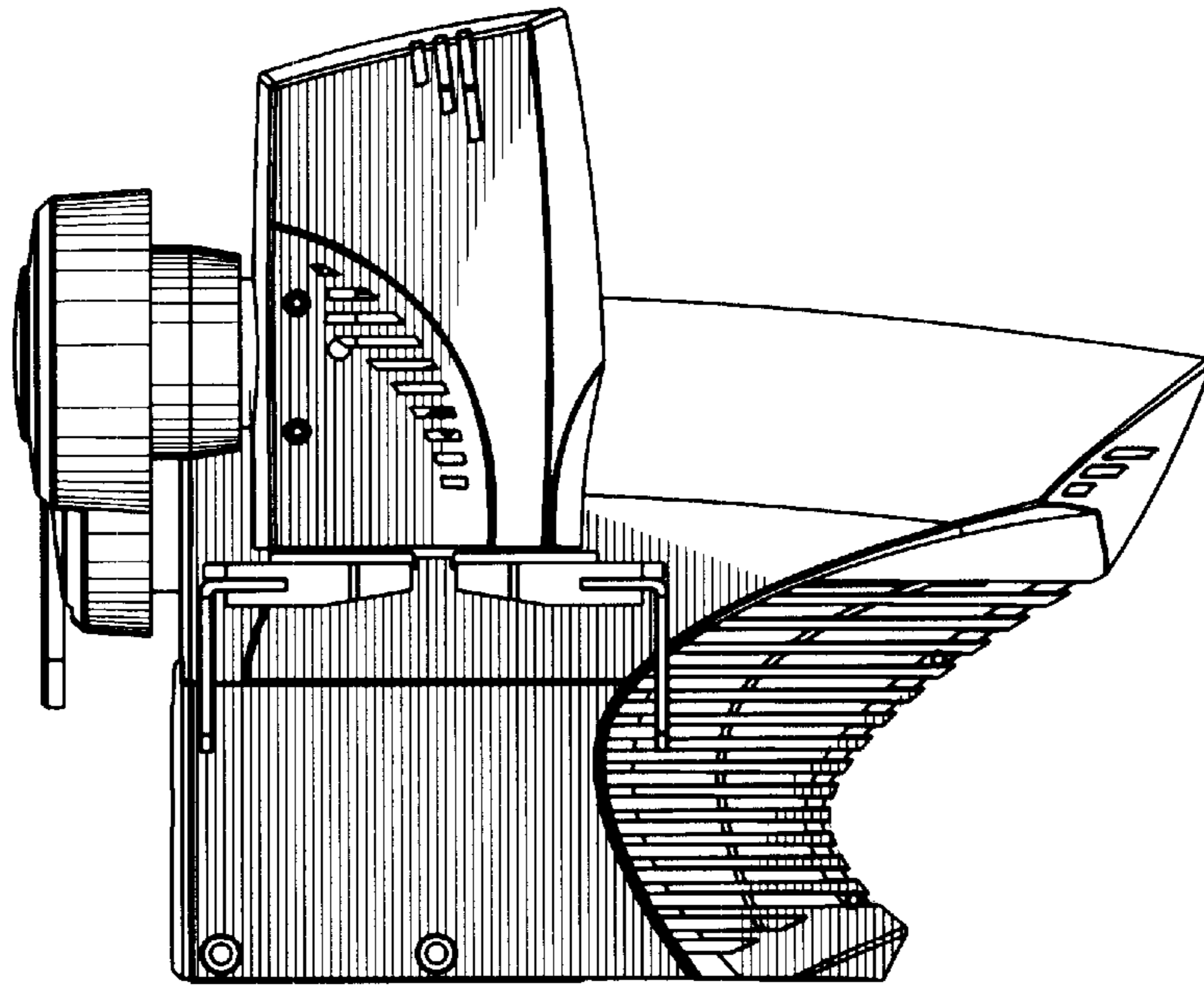


Fig. 6

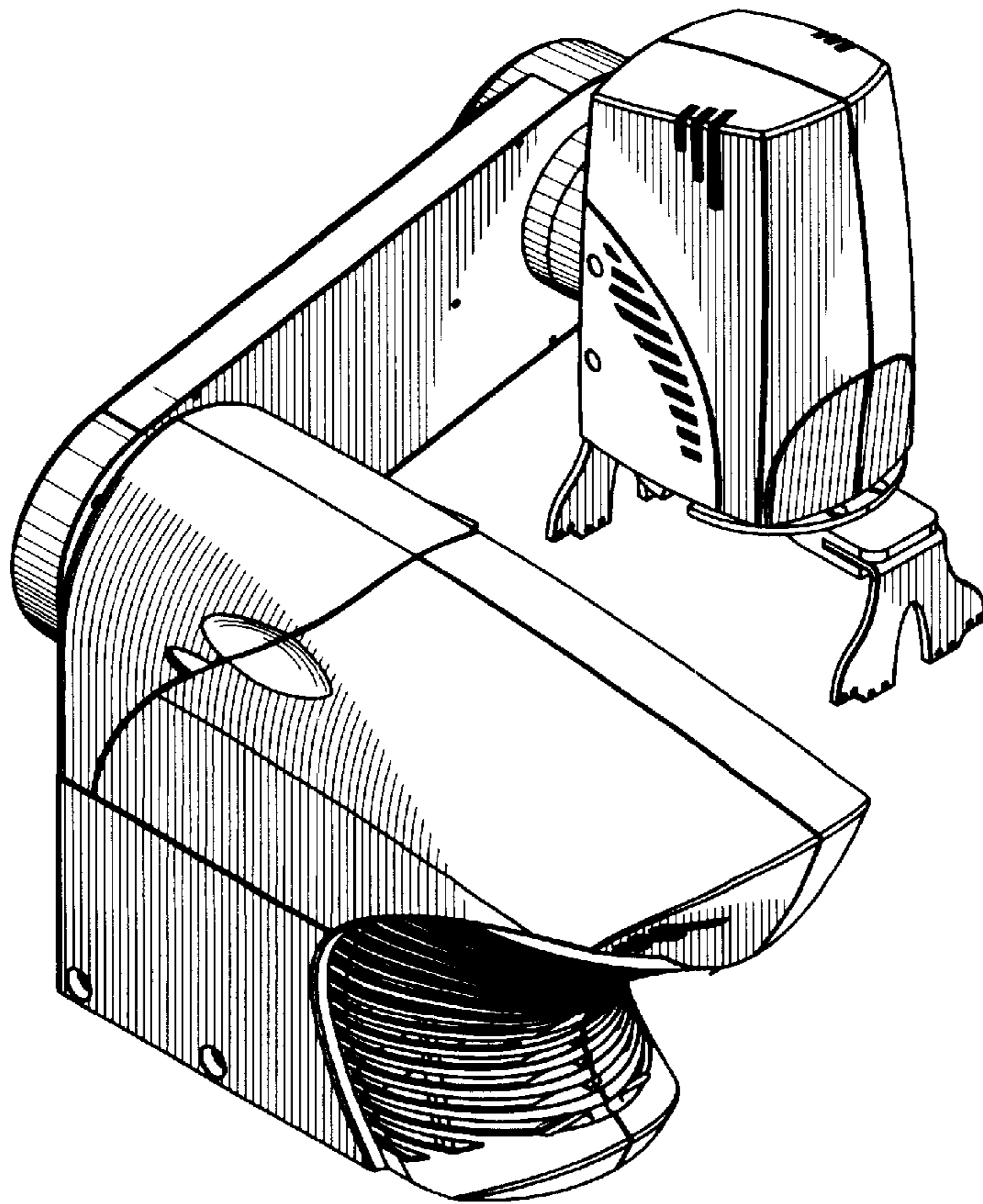


Fig. 7