



US00D484153S

(12) **United States Design Patent**
Mann et al.

(10) **Patent No.:** **US D484,153 S**

(45) **Date of Patent:** **** Dec. 23, 2003**

(54) **COVER FOR WATERJET ASSEMBLY**

5,794,854 A	*	8/1998	Yie	239/242
5,848,753 A		12/1998	Wands et al.	239/596
5,879,137 A	*	3/1999	Yie	417/225
6,021,699 A	*	2/2000	Caspar	83/177

(75) Inventors: **Robert J. Mann**, Puyallup, WA (US);
Charles D. Burnham, Southbury, CT (US);
John L. Bushong, Federal Way, WA (US)

* cited by examiner

(73) Assignee: **Flow International Corporation**, Kent, WA (US)

Primary Examiner—Antoine Duval Davis
(74) *Attorney, Agent, or Firm*—Seed Intellectual Property Law Group PLLC

(**) Term: **14 Years**

(57) **CLAIM**

(21) Appl. No.: **29/169,320**

The ornamental design for a cover for waterjet assembly, as shown and described.

(22) Filed: **Oct. 16, 2002**

Related U.S. Application Data

DESCRIPTION

(63) Continuation-in-part of application No. 29/147,331, filed on Aug. 27, 2001, now Pat. No. Des. 469,788.

FIG. 1 is a front elevational view of a cover for waterjet assembly showing a first embodiment of our new design.

(51) **LOC (7) Cl.** **15-09**

FIG. 2 is a rear perspective view thereof.

(52) **U.S. Cl.** **D15/127**

FIG. 3 is a left side elevational view thereof, the right side elevational view being symmetrical.

(58) **Field of Search** D15/127, 139;
137/882; 83/177, 171, 170, 53, 425, 953;
417/225; 239/242, 526, 586, 596, 589-602

FIG. 4 is a rear elevational view thereof.

(56) **References Cited**

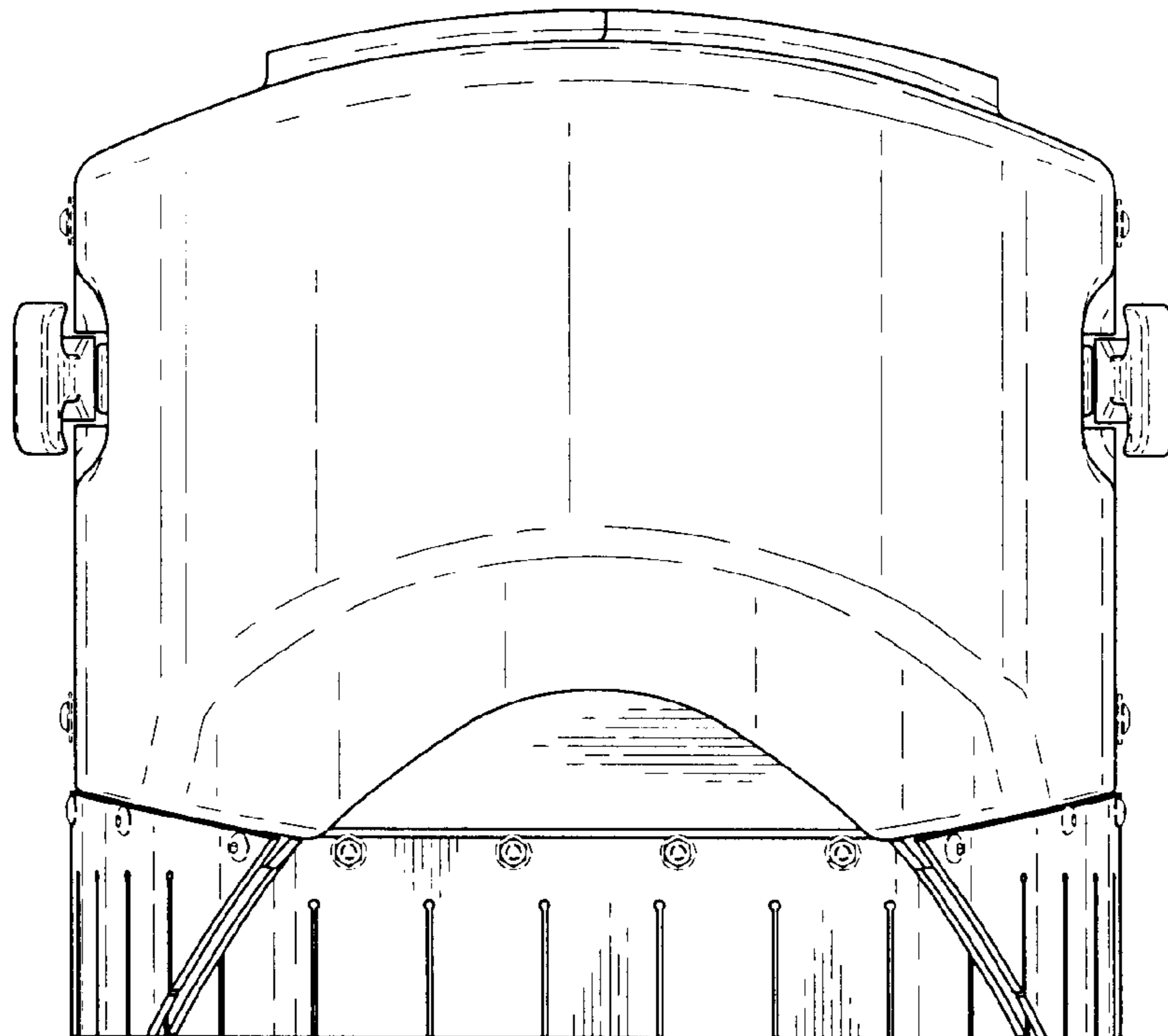
FIG. 5 is a top plan view thereof; and,

FIG. 6 is a bottom plan view thereof.

U.S. PATENT DOCUMENTS

5,117,872 A * 6/1992 Yie 137/882

1 Claim, 3 Drawing Sheets



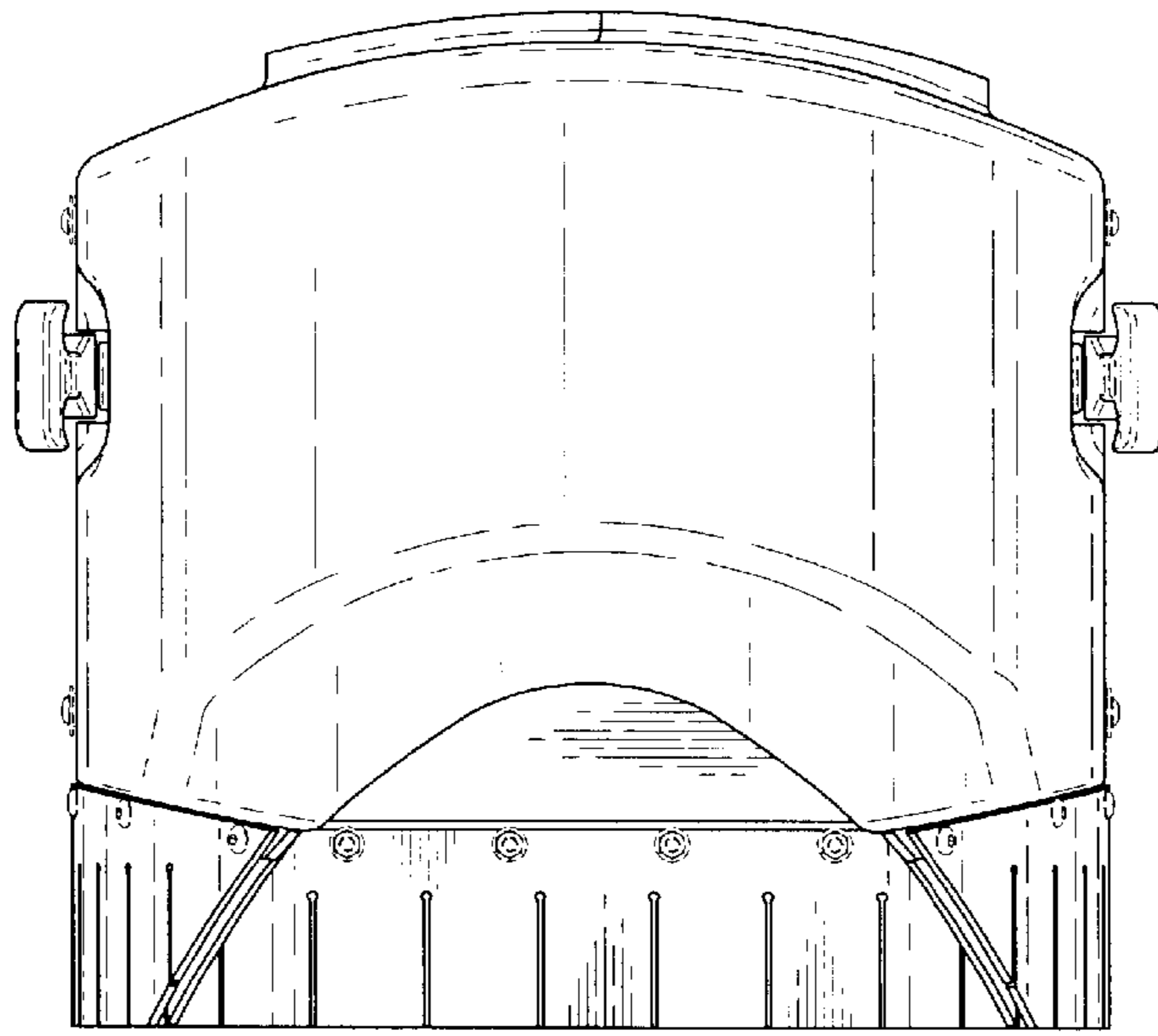


Fig. 1

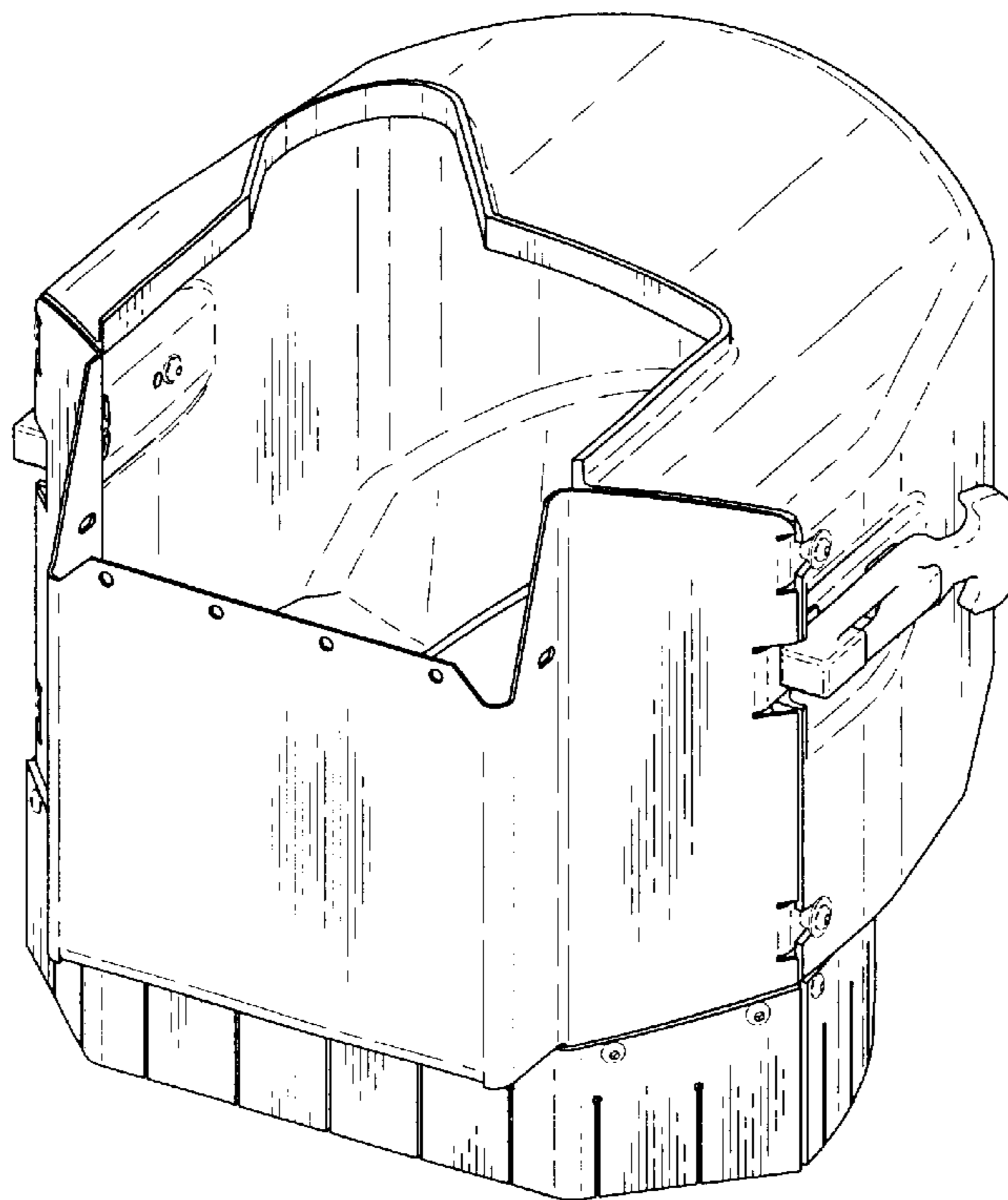


Fig. 2

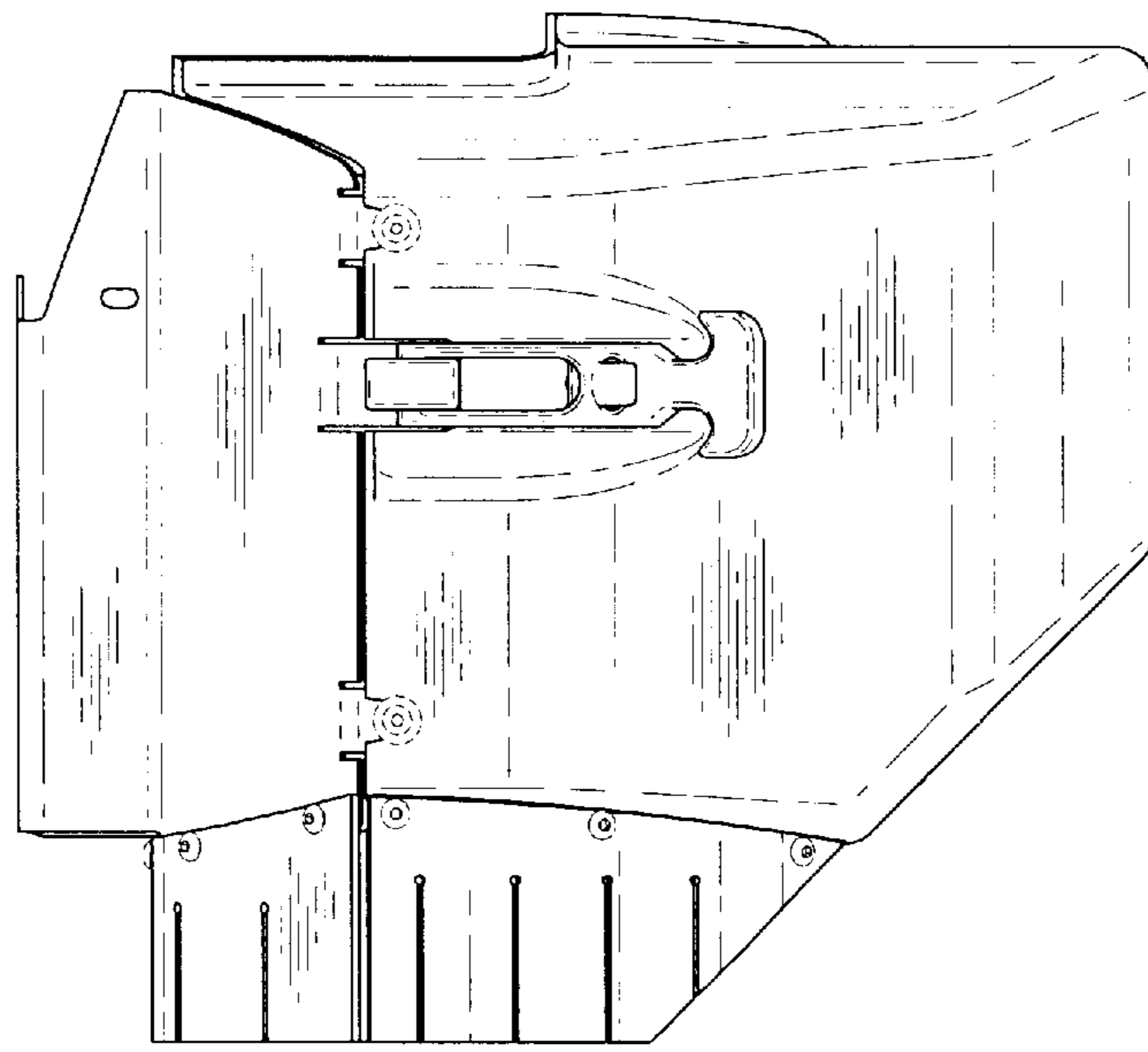


Fig. 3

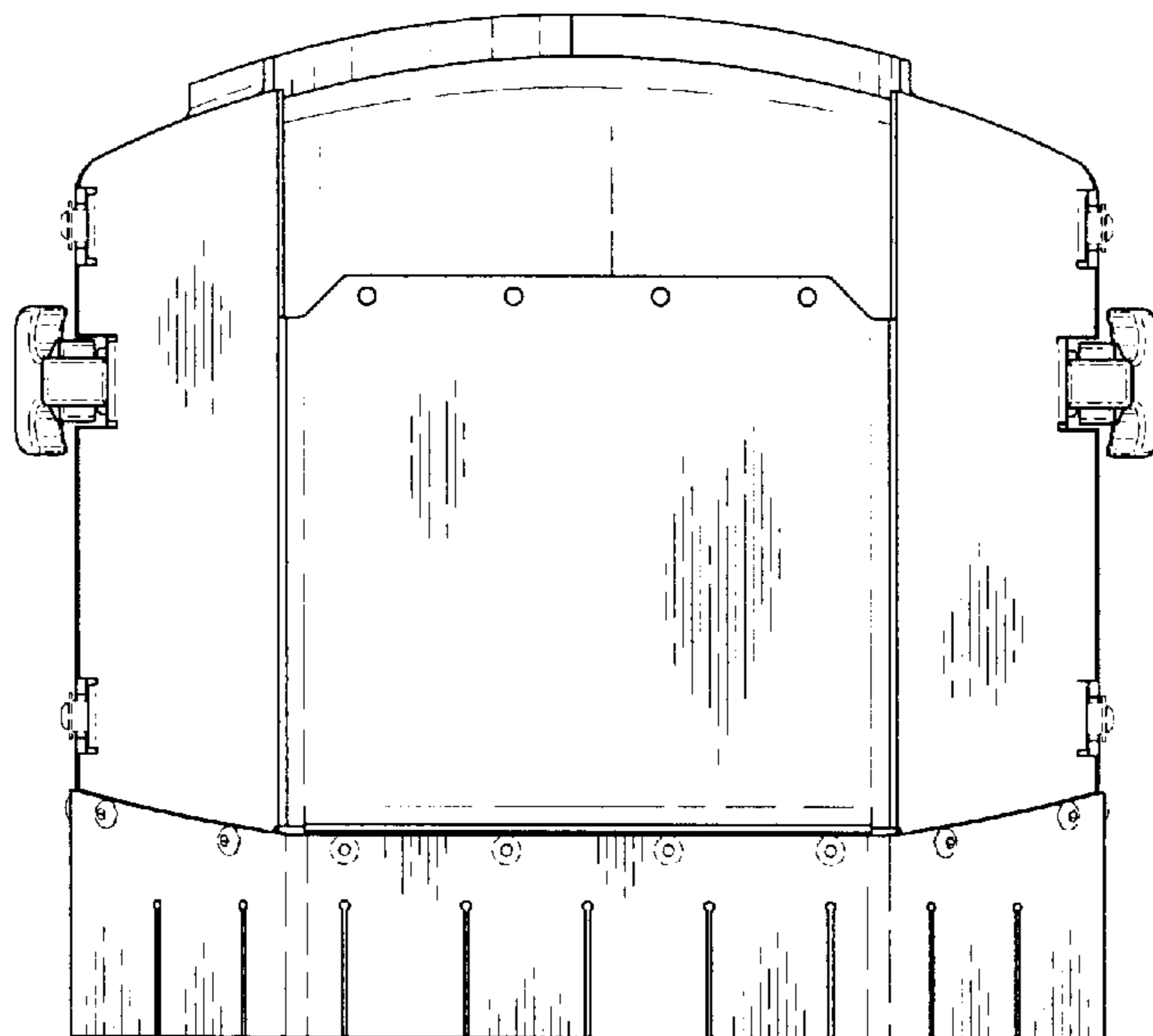


Fig. 4

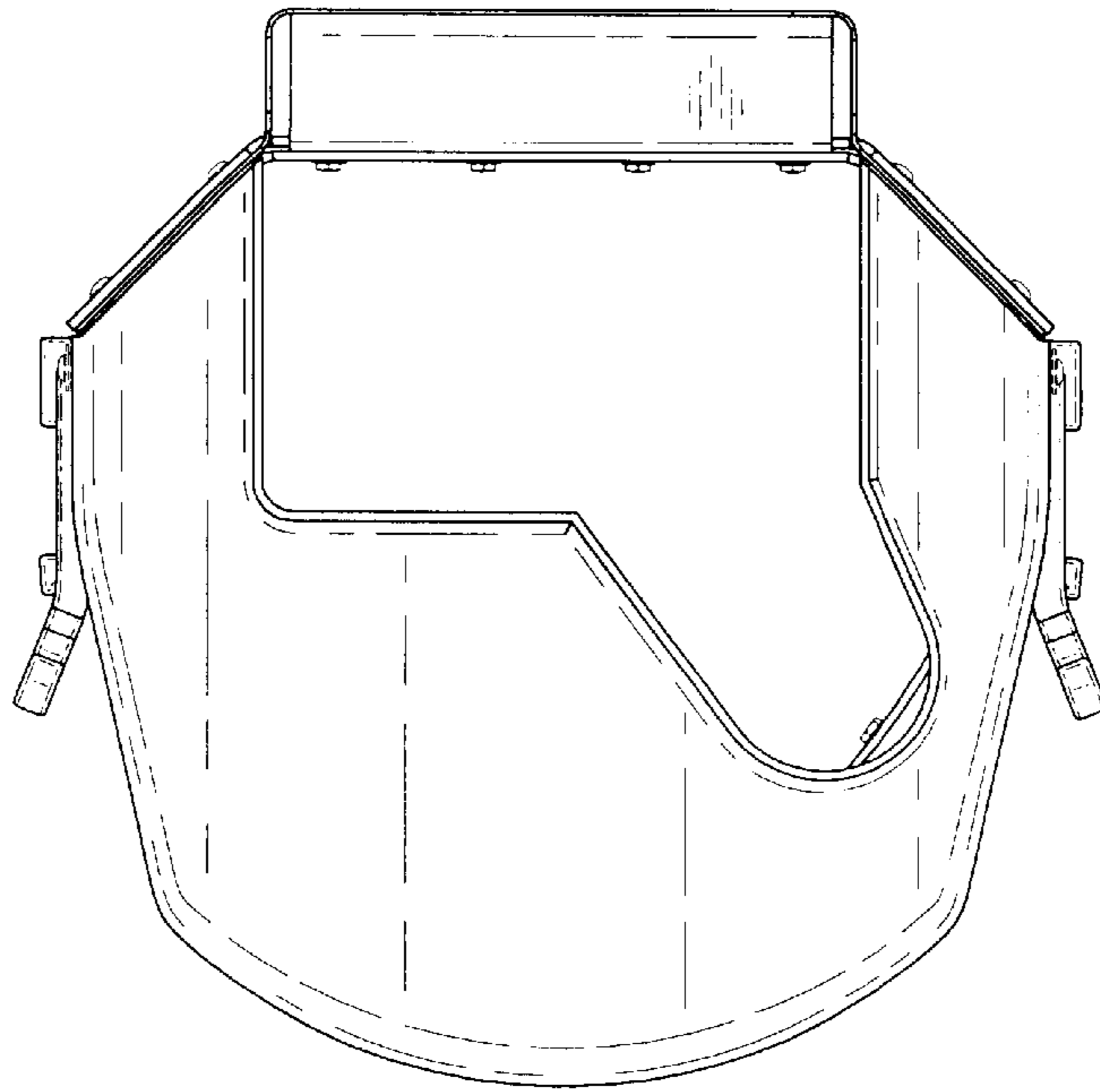


Fig. 5

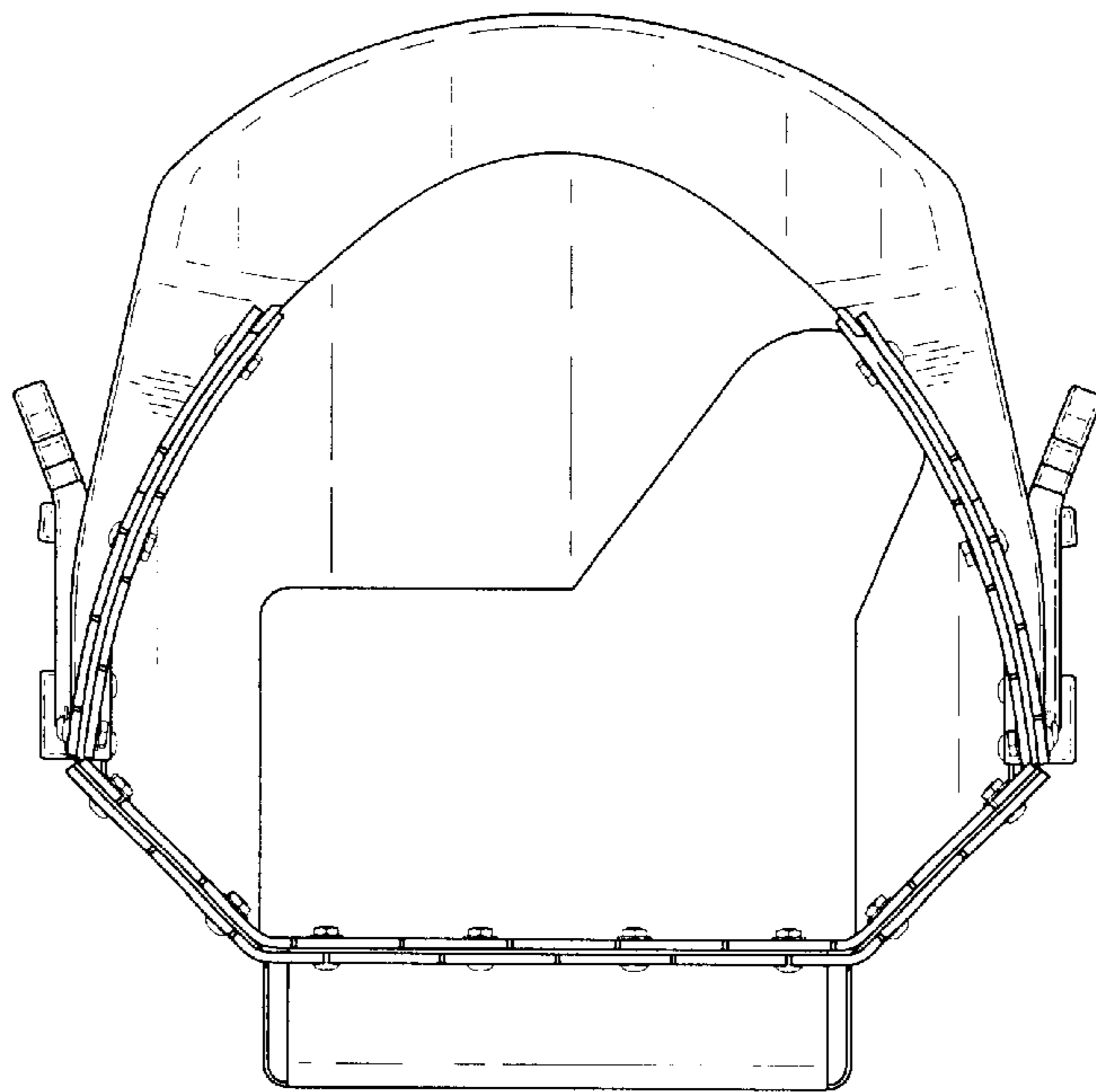


Fig. 6