



US00D484149S

(12) **United States Design Patent**
Hannan et al.

(10) **Patent No.:** **US D484,149 S**

(45) **Date of Patent:** **** Dec. 23, 2003**

(54) **CRAWLER TRACK SHOE**

(75) Inventors: **Keith Hannan**, Waratah (AU); **Jason Lunn**, Waratah (AU)

(73) Assignee: **Bradken Resources Pty Ltd** (AU)

(**) Term: **14 Years**

(21) Appl. No.: **29/174,045**

(22) Filed: **Jan. 10, 2003**

(30) **Foreign Application Priority Data**

Jul. 17, 2002 (AU) 2148/2002

(51) **LOC (7) Cl.** **15-03**

(52) **U.S. Cl.** **D15/28**

(58) **Field of Search** D15/28, 10, 22-26;
305/46, 51, 111, 198, 53, 204, 193

(56) **References Cited**

U.S. PATENT DOCUMENTS

4,425,007 A * 1/1984 Soeteber 305/111

4,433,874 A * 2/1984 Melvin 305/53
4,805,968 A * 2/1989 Connerley 305/193
5,255,964 A * 10/1993 Hara 305/46
6,543,863 B1 * 4/2003 Hannan et al. 305/201

* cited by examiner

Primary Examiner—Mitchell Siegel

(74) *Attorney, Agent, or Firm*—Cantor Colburn LLP

(57) **CLAIM**

The ornamental design of a crawler track shoe, as shown and described.

DESCRIPTION

FIG. 1 is a perspective view of the crawler track shoe
FIG. 2 is a right side view of the crawler track shoe
FIG. 3 is a left side view of the crawler track shoe
FIG. 4 is a top view of the crawler track shoe
FIG. 5 is a front view of the crawler track shoe
FIG. 6 is a rear view of the crawler track shoe; and,
FIG. 7 is a bottom view of the crawler track shoe.

1 Claim, 4 Drawing Sheets

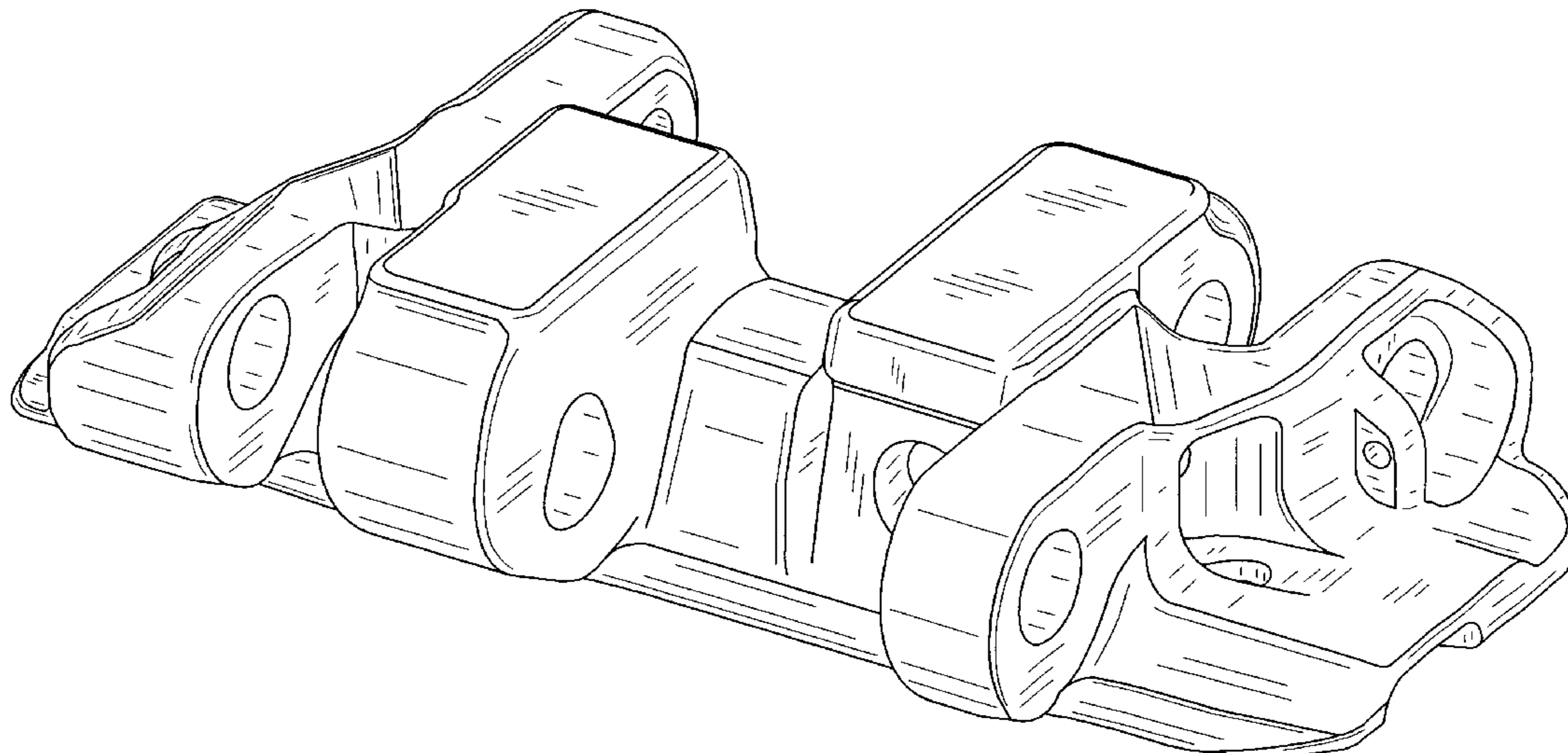


FIG. 1

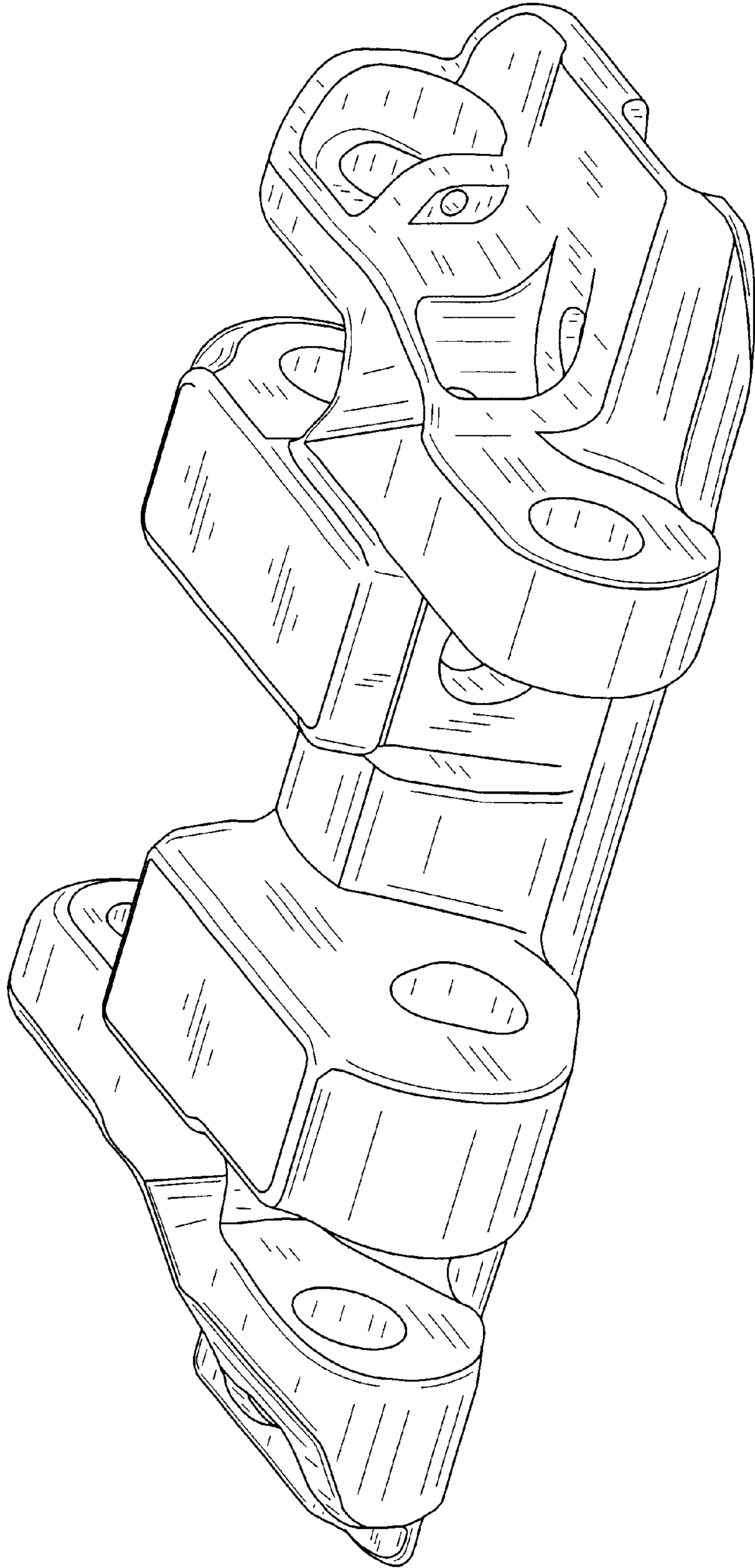


FIG. 2

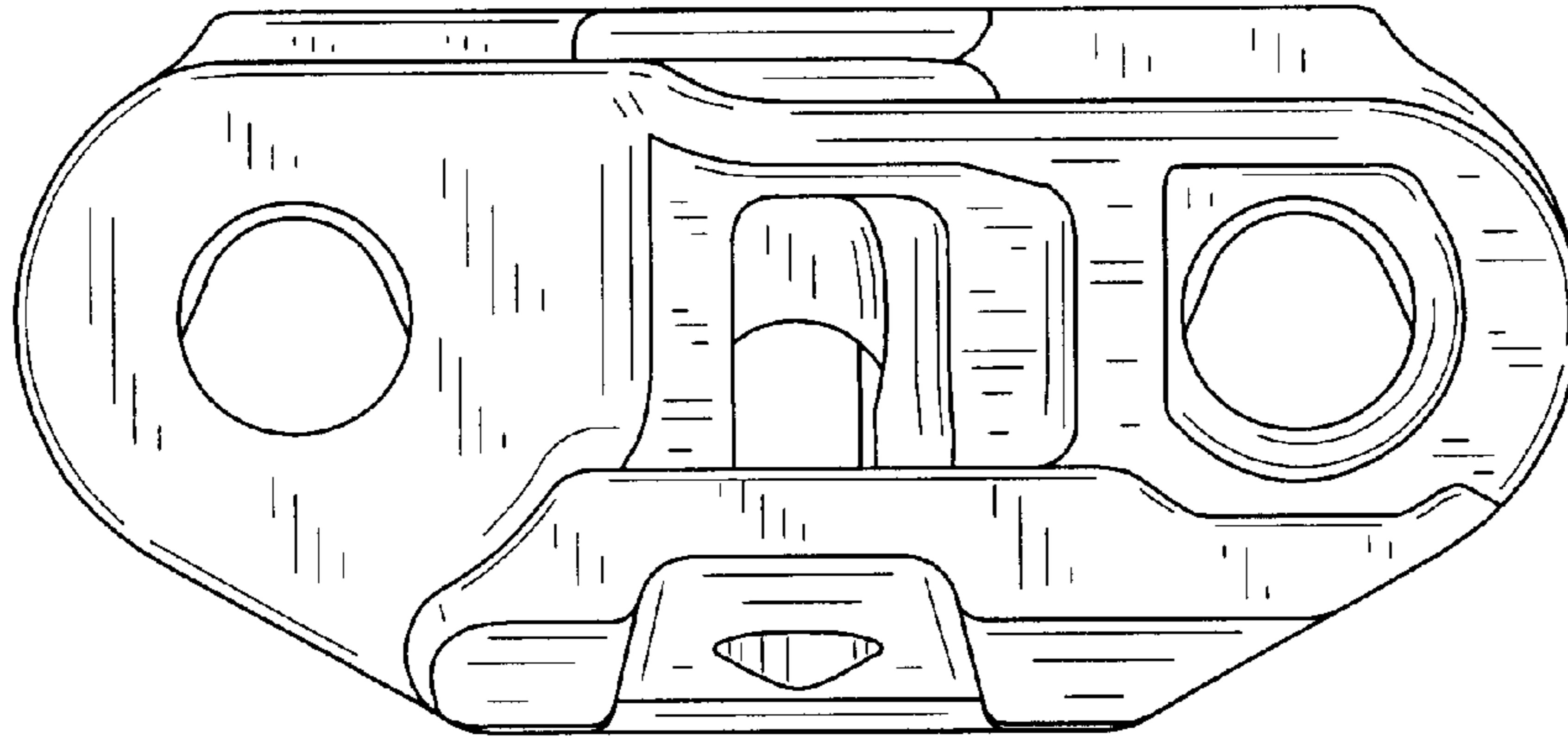


FIG. 3

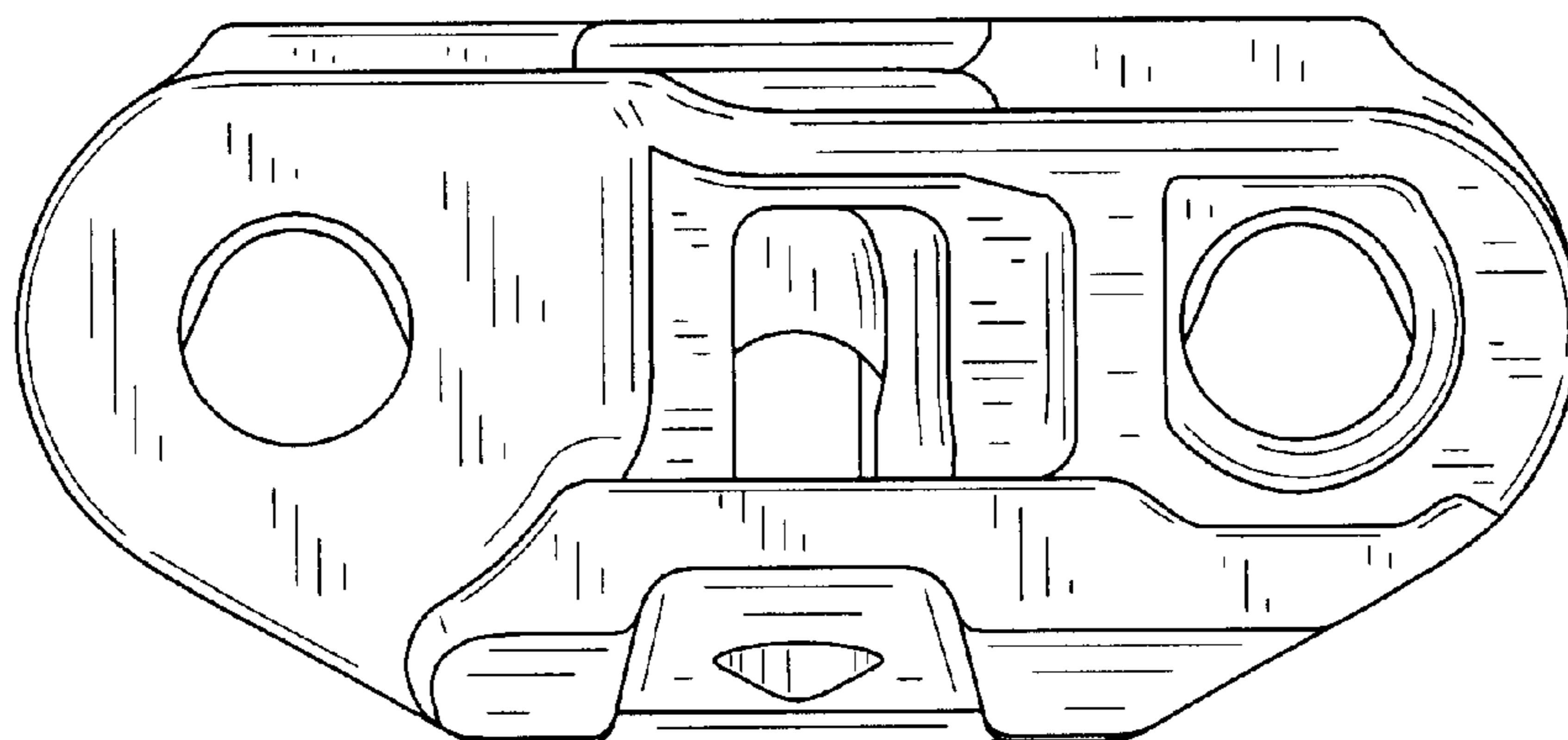


FIG. 4

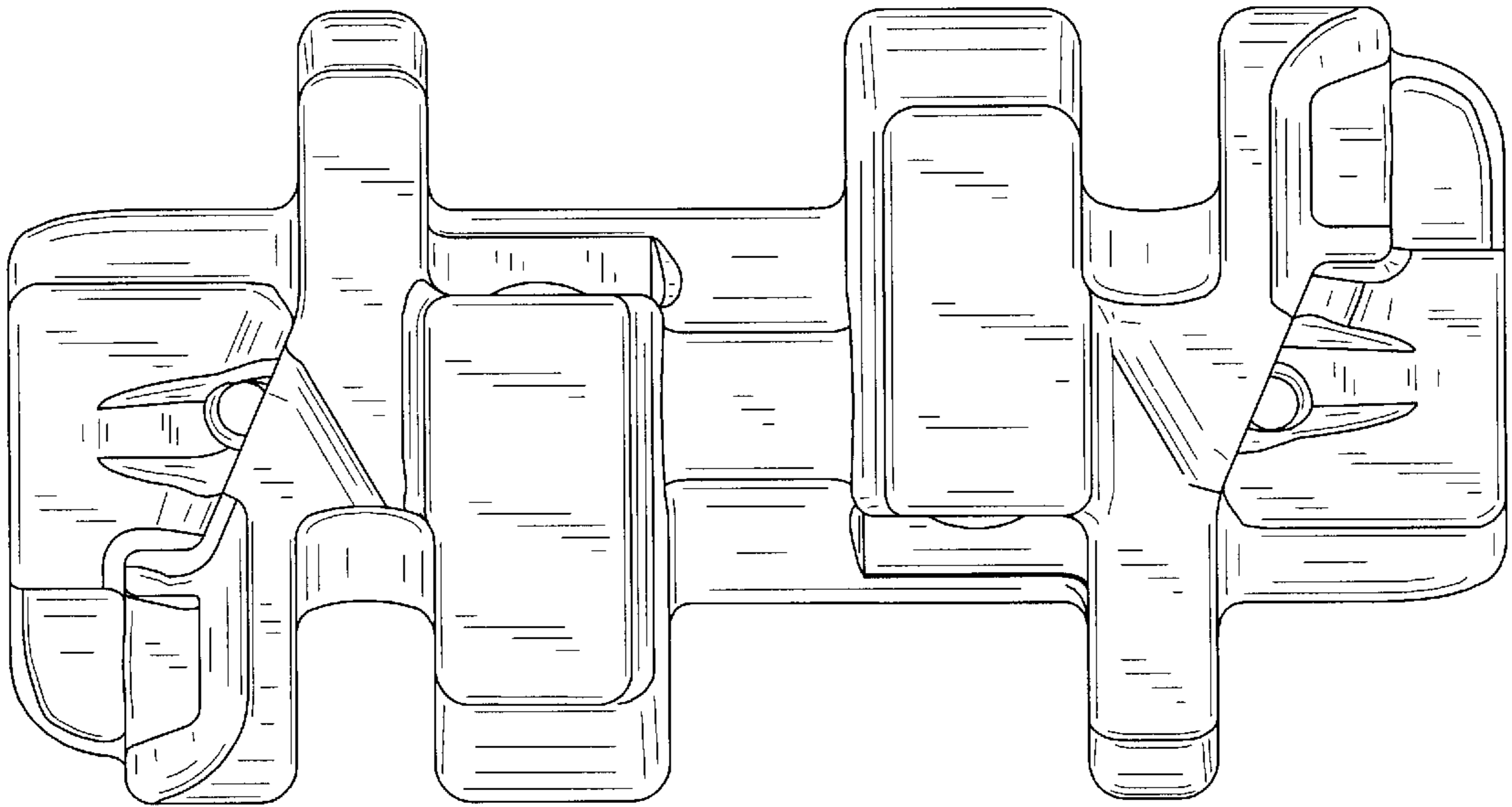


FIG. 7

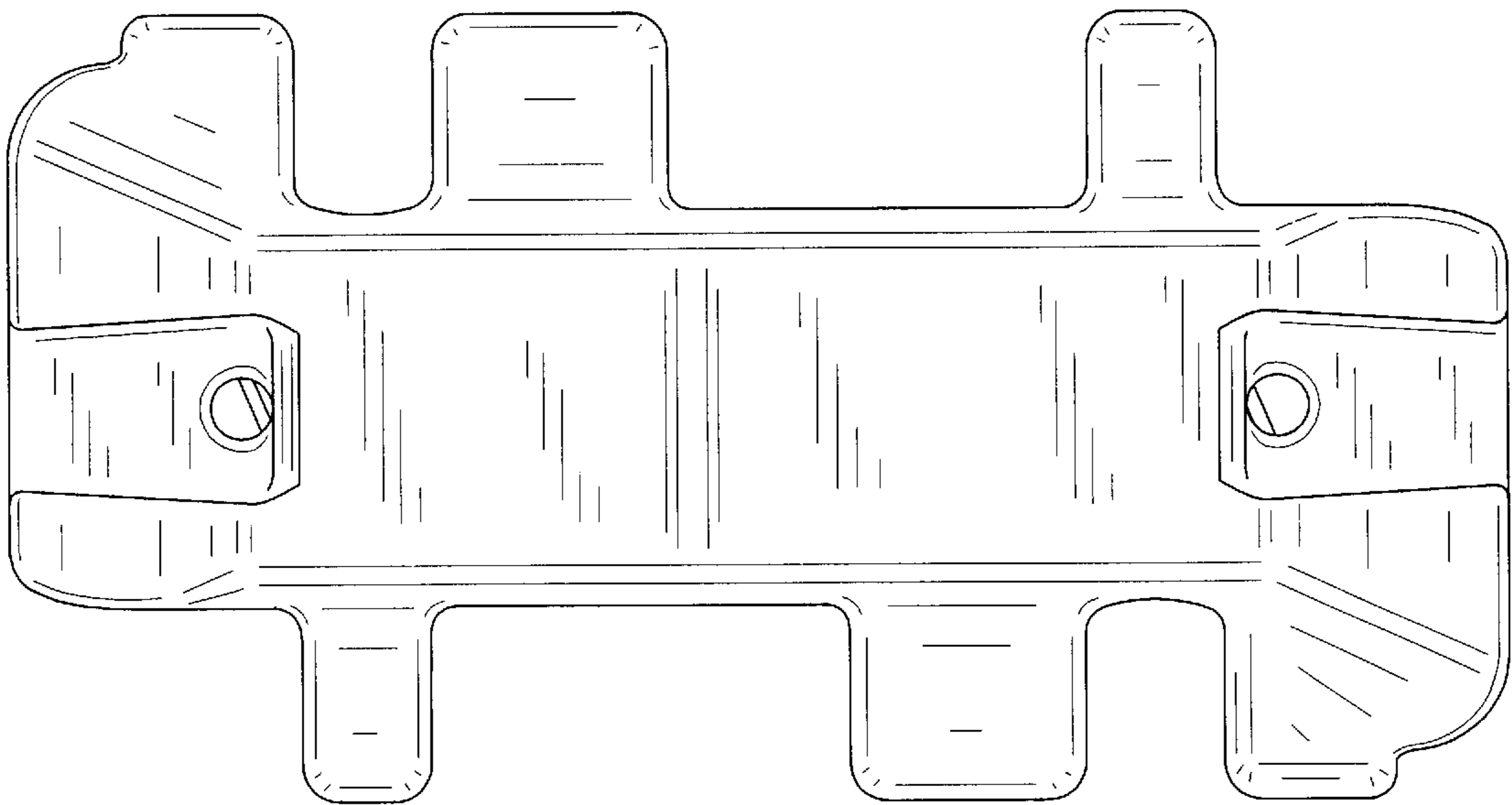


FIG. 5

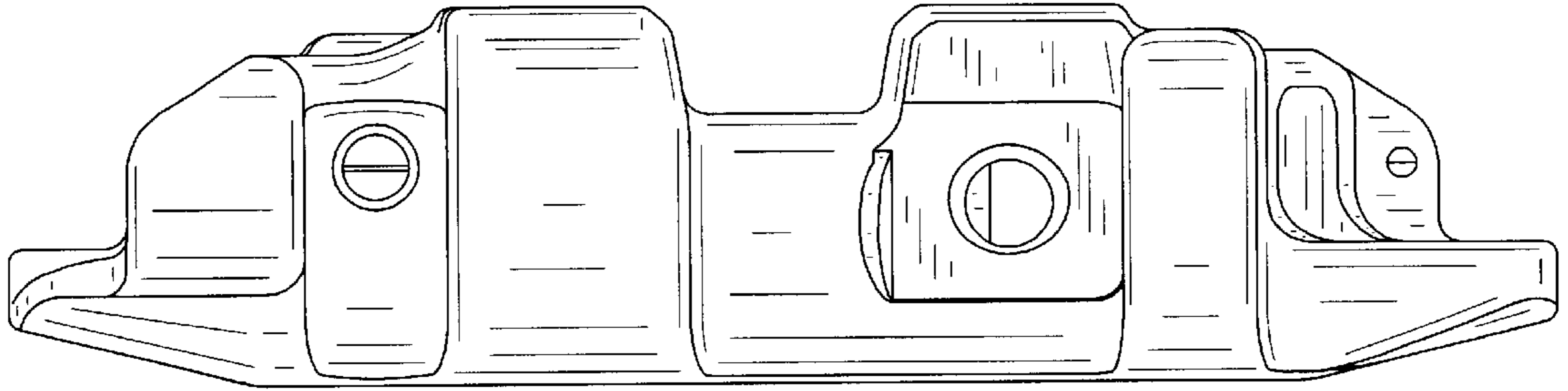


FIG. 6

