



US00D484148S

(12) **United States Design Patent**
Floore et al.

(10) **Patent No.:** **US D484,148 S**

(45) **Date of Patent:** **** Dec. 23, 2003**

(54) **SAND-BAG FILLER**

(76) Inventors: **Roderick Terence Floore**, 8253
Monroe, St. Louis, MO (US) 63114;
Ollie Simpson Walker, III, 4941
Northland Ave., St. Louis, MO (US)
63113; **David Lucius Williams**, 223 S.
Church St. Apt. B, Belleville, IL (US)
62220

(**) Term: **14 Years**

(21) Appl. No.: **29/156,419**

(22) Filed: **Feb. 28, 2002**

(51) **LOC (7) Cl.** **15-99**

(52) **U.S. Cl.** **D15/10**

(58) **Field of Search** D15/10, 122, 145,
D15/199; D34/28-29; 141/166, 314; 53/415

(56) **References Cited**

U.S. PATENT DOCUMENTS

2,343,439 A * 3/1944 Allen et al. 141/314
2,463,085 A * 3/1949 Byberg 141/166
4,249,361 A * 2/1981 Tetenborg et al. 53/415

D283,226 S * 4/1986 Hornhardt et al. D15/27
4,763,702 A * 8/1988 High, Jr. et al. 141/114
4,819,701 A * 4/1989 Thornton 141/231
5,417,261 A * 5/1995 Kanzler et al. 141/313
5,437,318 A * 8/1995 Kanzler et al. 141/313
5,957,172 A * 9/1999 DeGreef et al. 141/166
D440,729 S * 4/2001 Piner et al. D34/28
6,216,753 B1 * 4/2001 Kanzler et al. 141/313

* cited by examiner

Primary Examiner—Nelson C. Holtje

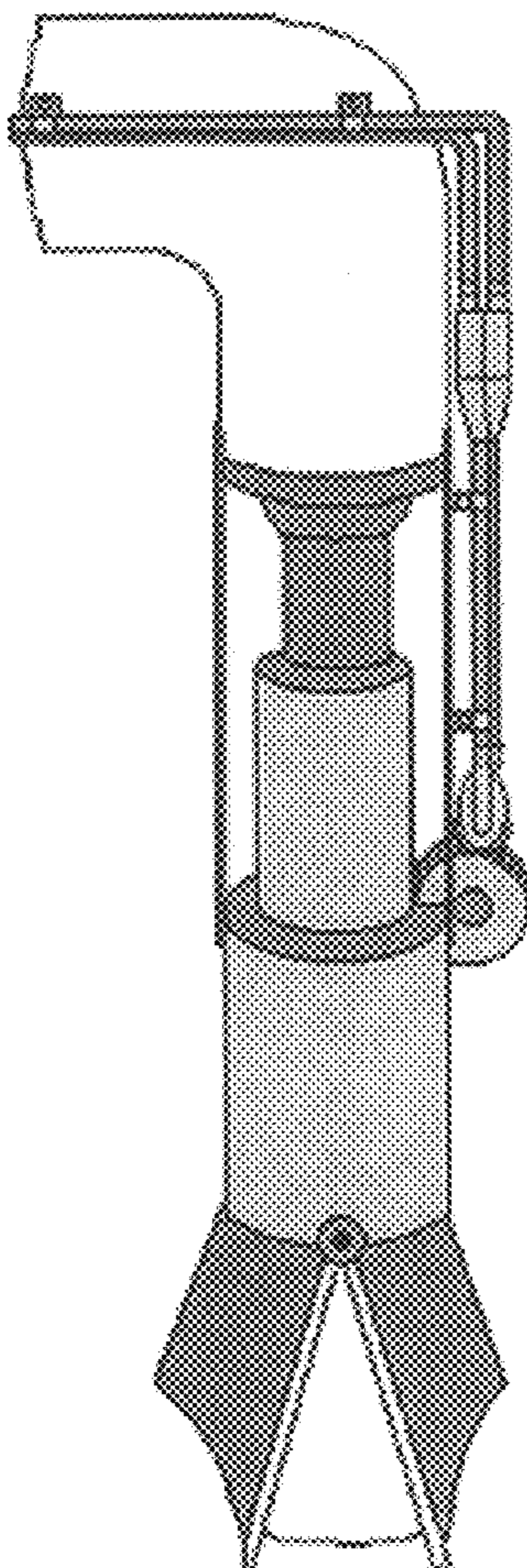
(57) **CLAIM**

The ornamental design for a sand-bag filler, as shown and described.

DESCRIPTION

FIG. 1 is a front perspective view of a sand-bag filler showing our new design;
FIG. 2 is another front perspective view thereof with swinging portions in the open, fill position.
FIG. 3 is a left side perspective view thereof,
FIG. 4 is a right side perspective view thereof; and,
FIG. 5 is a bottom plan view thereof.

1 Claim, 5 Drawing Sheets



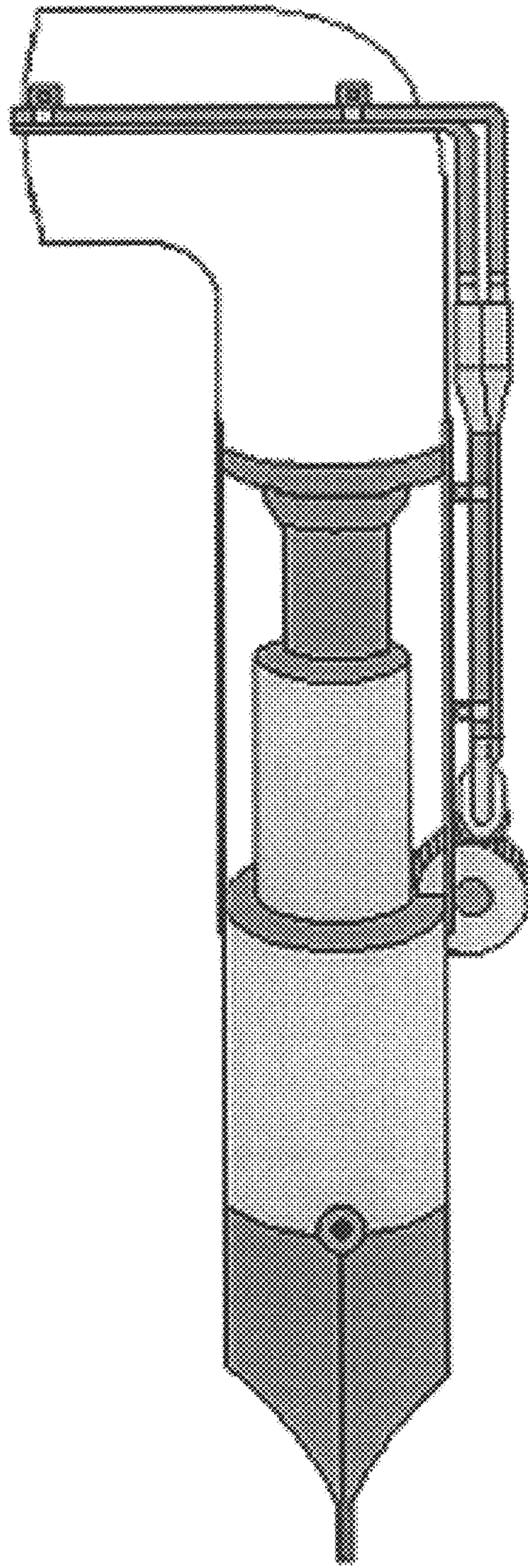


Fig. 1

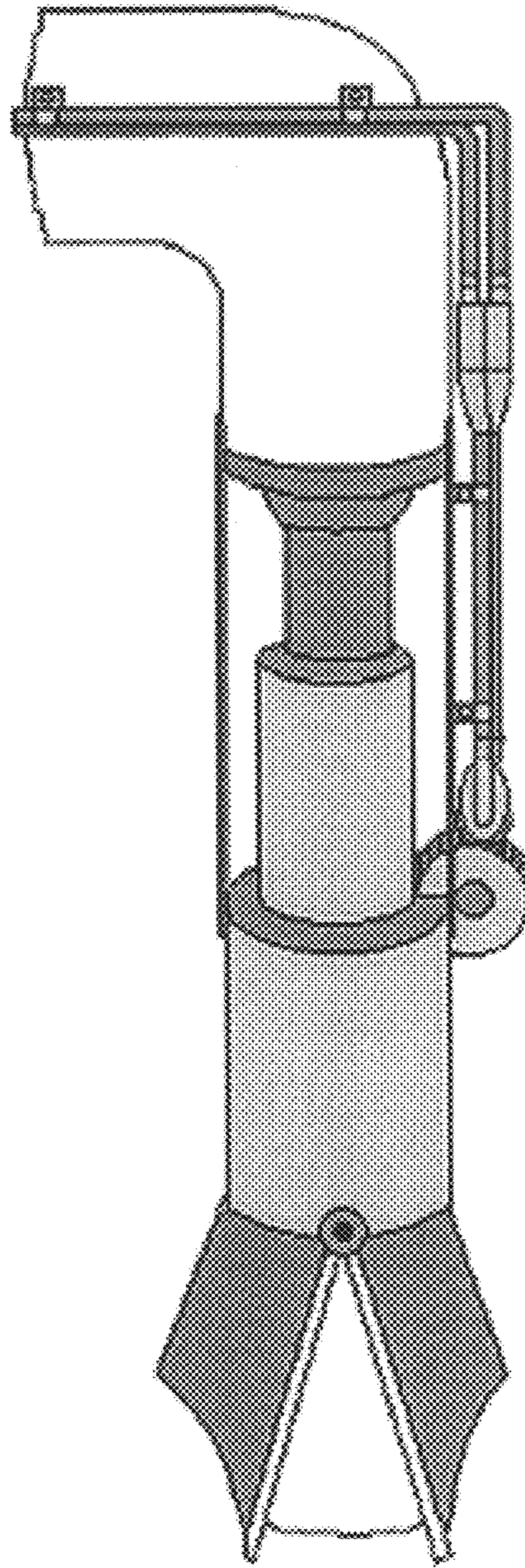


Fig. 2

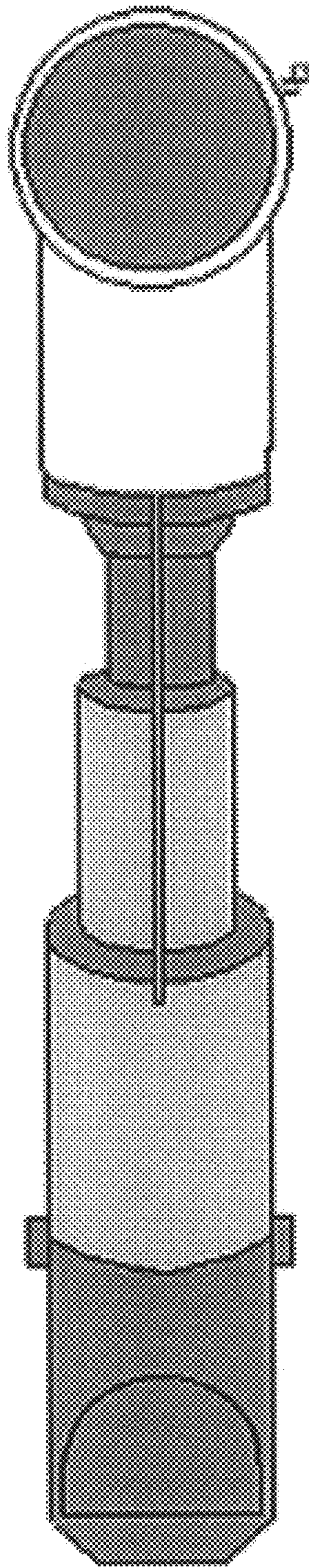


Fig.3

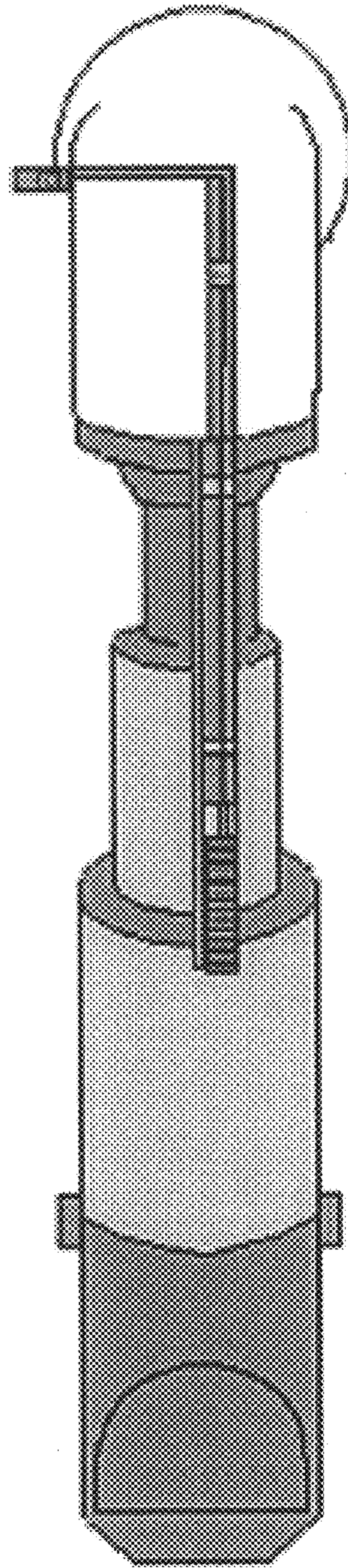


Fig. 4

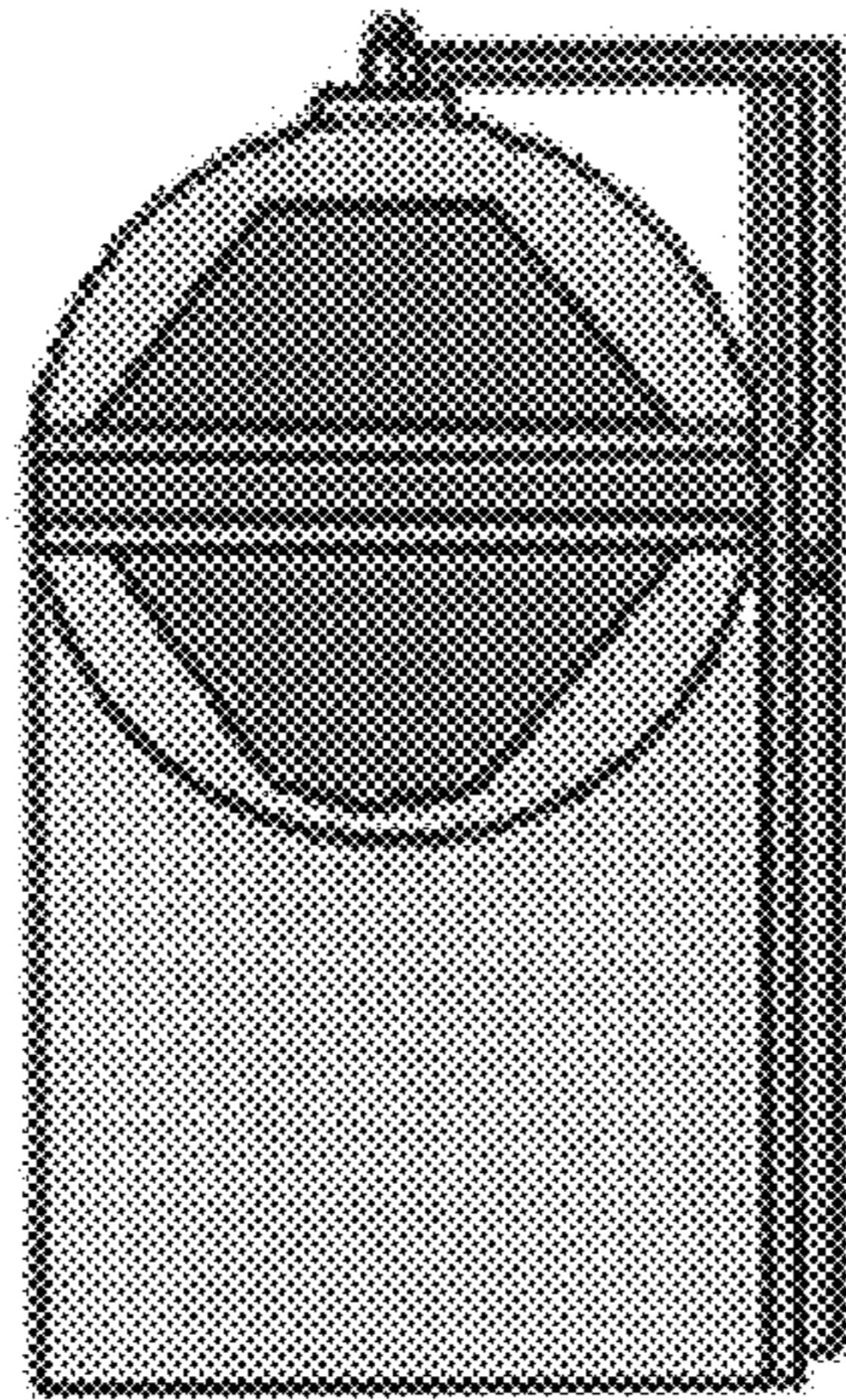


Fig. 5