



US00D484140S

(12) **United States Design Patent**
Rowell

(10) **Patent No.:** **US D484,140 S**

(45) **Date of Patent:** **** Dec. 23, 2003**

(54) **CONTAINER TO CATCH PAPER**
(76) Inventor: **Charles P. Rowell**, 6060 Village Bend
Dr., #1611, Dallas, TX (US) 75206
(**) Term: **14 Years**

(21) Appl. No.: **29/169,986**
(22) Filed: **Oct. 29, 2002**

(51) **LOC (7) Cl.** **16-03**
(52) **U.S. Cl.** **D14/471; D3/304**
(58) **Field of Search** **D14/462-471;**
D3/304, 307, 309, 314, 318; 222/160, 162,
173, 197, 424.5, 454, 575; 358/400, 401,
402, 305; 206/557, 527; 211/88.01, 126.1,
126.7, 133.6, 133.1; 220/559, 729, 732,
890; 232/27, 30, 39, 1 R, 1 E; 451/453,
451

(56) **References Cited**
U.S. PATENT DOCUMENTS

2,982,423 A * 5/1961 Handler et al. 211/126.1
3,713,581 A * 1/1973 Mullens 232/1 E
D272,538 S * 2/1984 Yoshihama et al. D14/463

D272,625 S * 2/1984 Suzuki et al. D14/463
4,560,066 A * 12/1985 Croteau 206/557
4,823,963 A * 4/1989 Helmsie 211/126.1
4,930,020 A * 5/1990 Martin 358/400
4,958,737 A * 9/1990 Auerbach 206/557
D340,240 S * 10/1993 Dow et al. D14/471
5,610,724 A * 3/1997 Kaneko et al. 358/400
D446,391 S * 8/2001 Sterling et al. D3/304

* cited by examiner

Primary Examiner—Prabhakar Deshmukh
(74) *Attorney, Agent, or Firm*—Richard K. Robinson

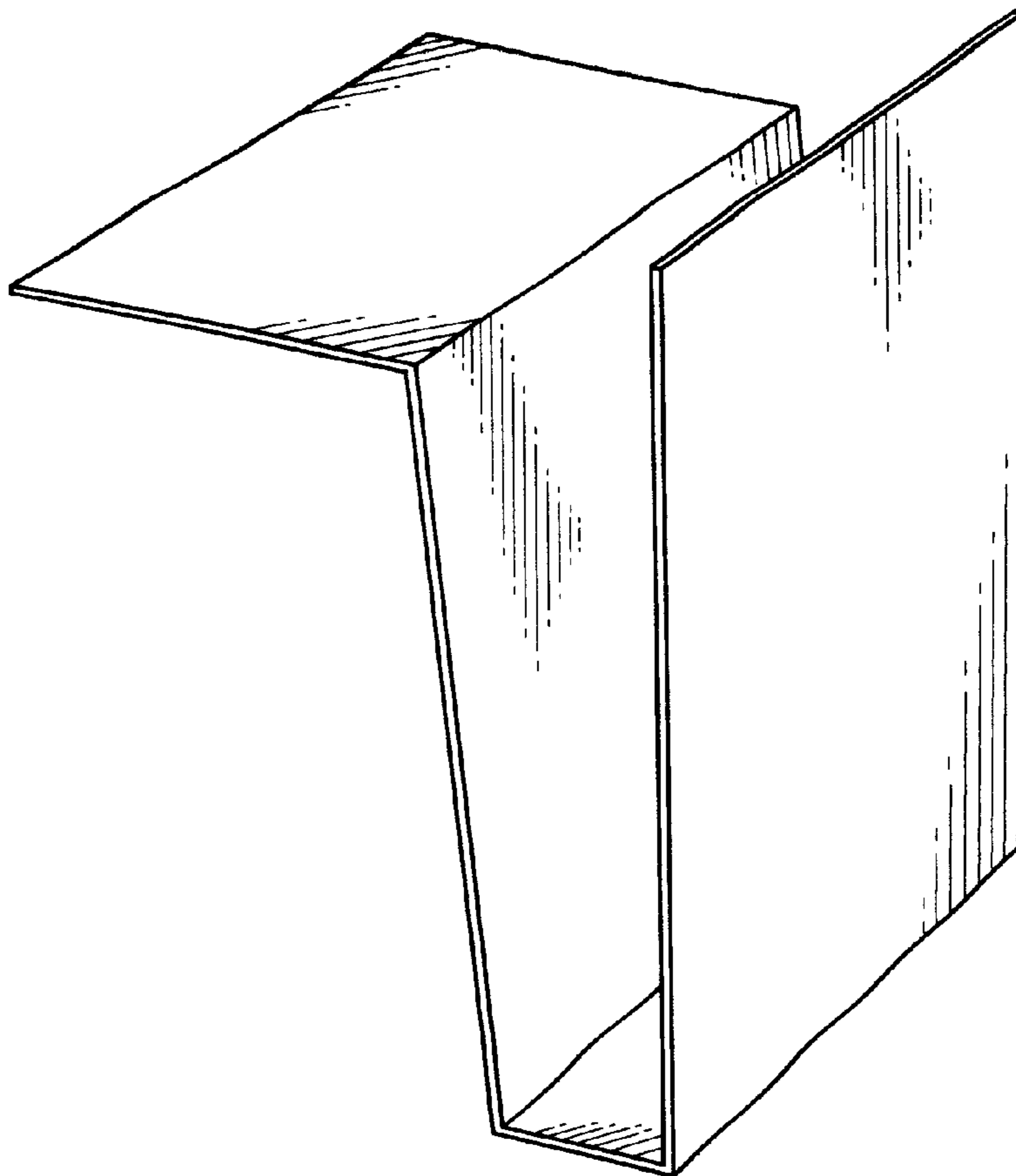
(57) **CLAIM**

The ornamental design of a container to catch paper, as shown and described.

DESCRIPTION

FIG. 1 is a top perspective view of a paper catcher showing my new design;
FIG. 2 is a right side elevational view thereof;
FIG. 3 is a back side elevational view thereof; and,
FIG. 4 is a bottom plan view thereof.

1 Claim, 1 Drawing Sheet



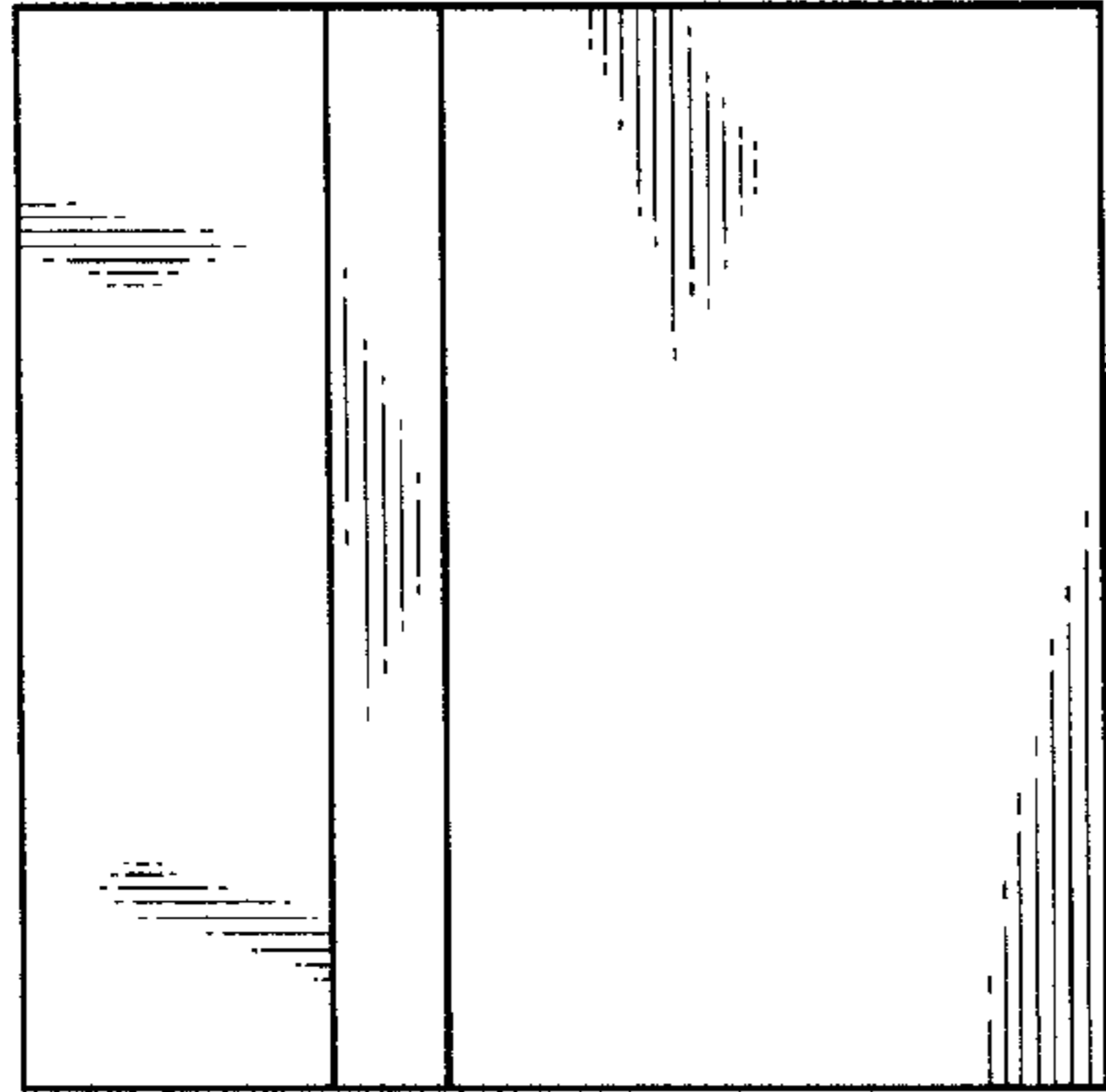


Fig. 4

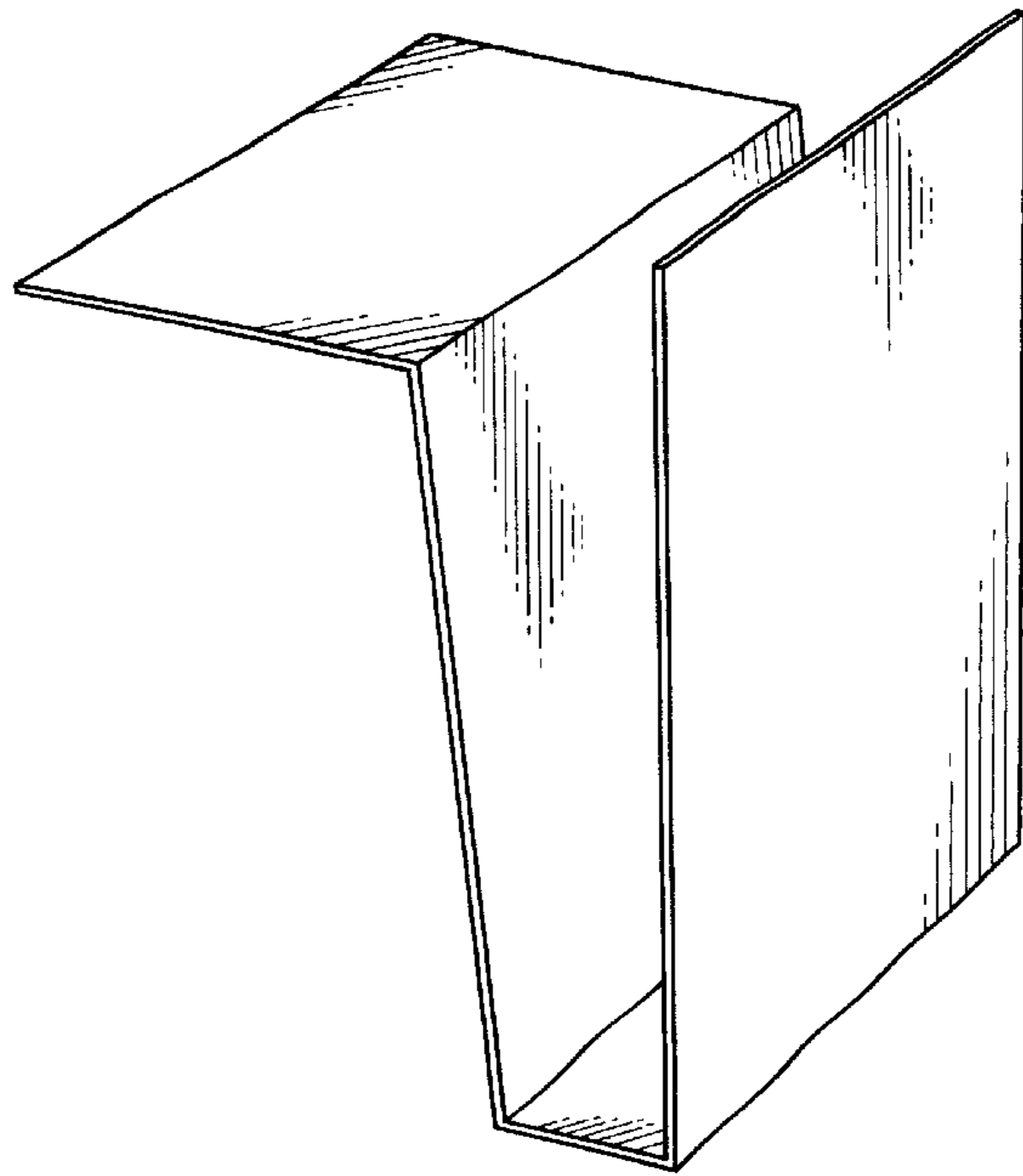


Fig. 1

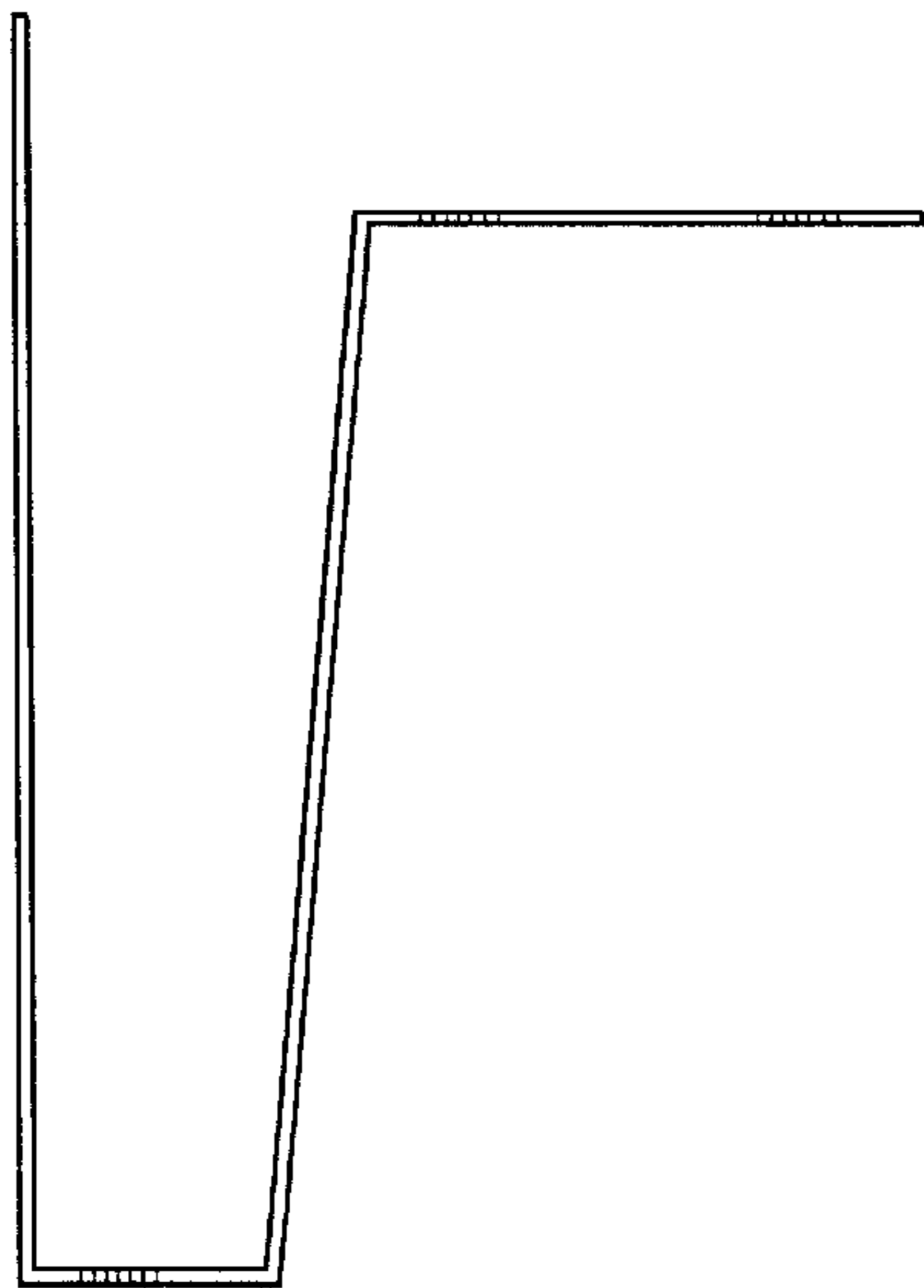


Fig. 2

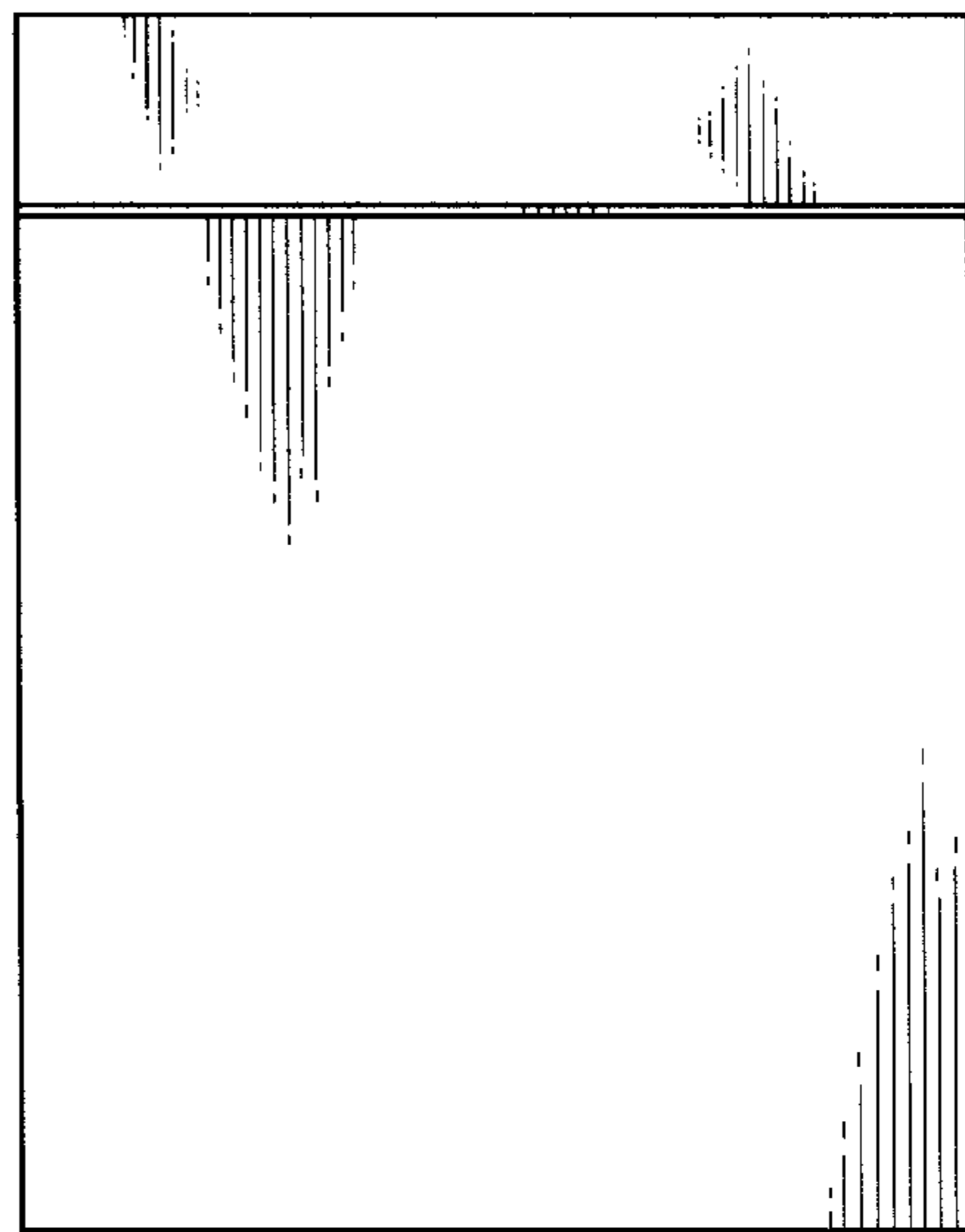


Fig. 3