



US00D484137S

(12) **United States Design Patent**
Wikel et al.

(10) **Patent No.:** **US D484,137 S**

(45) **Date of Patent:** **** Dec. 23, 2003**

(54) **ADAPTER FOR A COMMUNICATION DEVICE**

D471,156 S * 3/2003 Sass et al. D13/133

* cited by examiner

(75) Inventors: **Harold Wikel**, Muskego, WI (US);
Lawrence Green, Lindenhurst, IL (US);
David Townsend, Village of Lakewood, IL (US)

Primary Examiner—Kay H. Chin
(74) *Attorney, Agent, or Firm*—Design IP

(73) Assignee: **Motorola, Inc.**, Schaumburg, IL (US)

(57) **CLAIM**

(**) Term: **14 Years**

The ornamental design for an adapter for a communication device, as shown and described.

(21) Appl. No.: **29/176,028**

DESCRIPTION

(22) Filed: **Feb. 14, 2003**

(51) **LOC (7) Cl.** **14-02**

(52) **U.S. Cl.** **D14/433; D13/133**

(58) **Field of Search** D14/432, 433;
D13/133, 146, 147; 439/352, 357, 358,
610

FIG. 1 is a front perspective view of an adapter for a communication device showing our new design; FIG. 2 is a left side elevation view thereof; FIG. 3 is a rear elevation view thereof; FIG. 4 is a bottom plan view thereof; FIG. 5 is a top plan view thereof; FIG. 6 is a right side elevation view thereof; and, FIG. 7 is a front elevation view thereof.

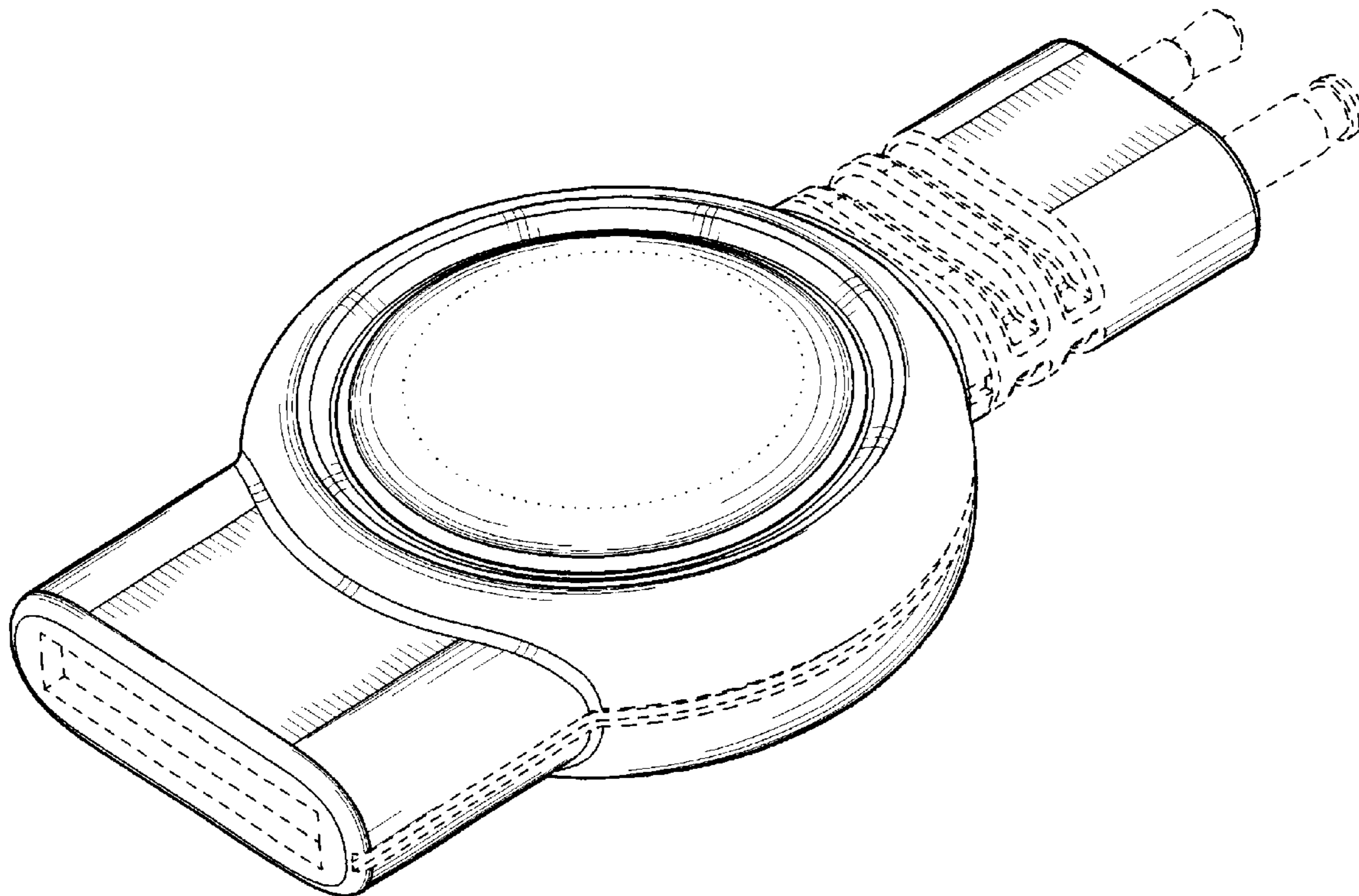
The broken lines shown in FIGS. 1–7 are included for the purpose of illustrating environmental elements only and form no part of the claimed design. The dotted lines shown in FIGS. 1–2 and 4–7 represent a border between claimed subject matter and unclaimed subject matter and form no part of the claimed design.

(56) **References Cited**

U.S. PATENT DOCUMENTS

- D434,374 S * 11/2000 Ko D13/123
- D463,373 S * 9/2002 Lee D13/147
- D468,266 S * 1/2003 Huang D13/147
- D470,819 S * 2/2003 Sass et al. D13/133

1 Claim, 3 Drawing Sheets



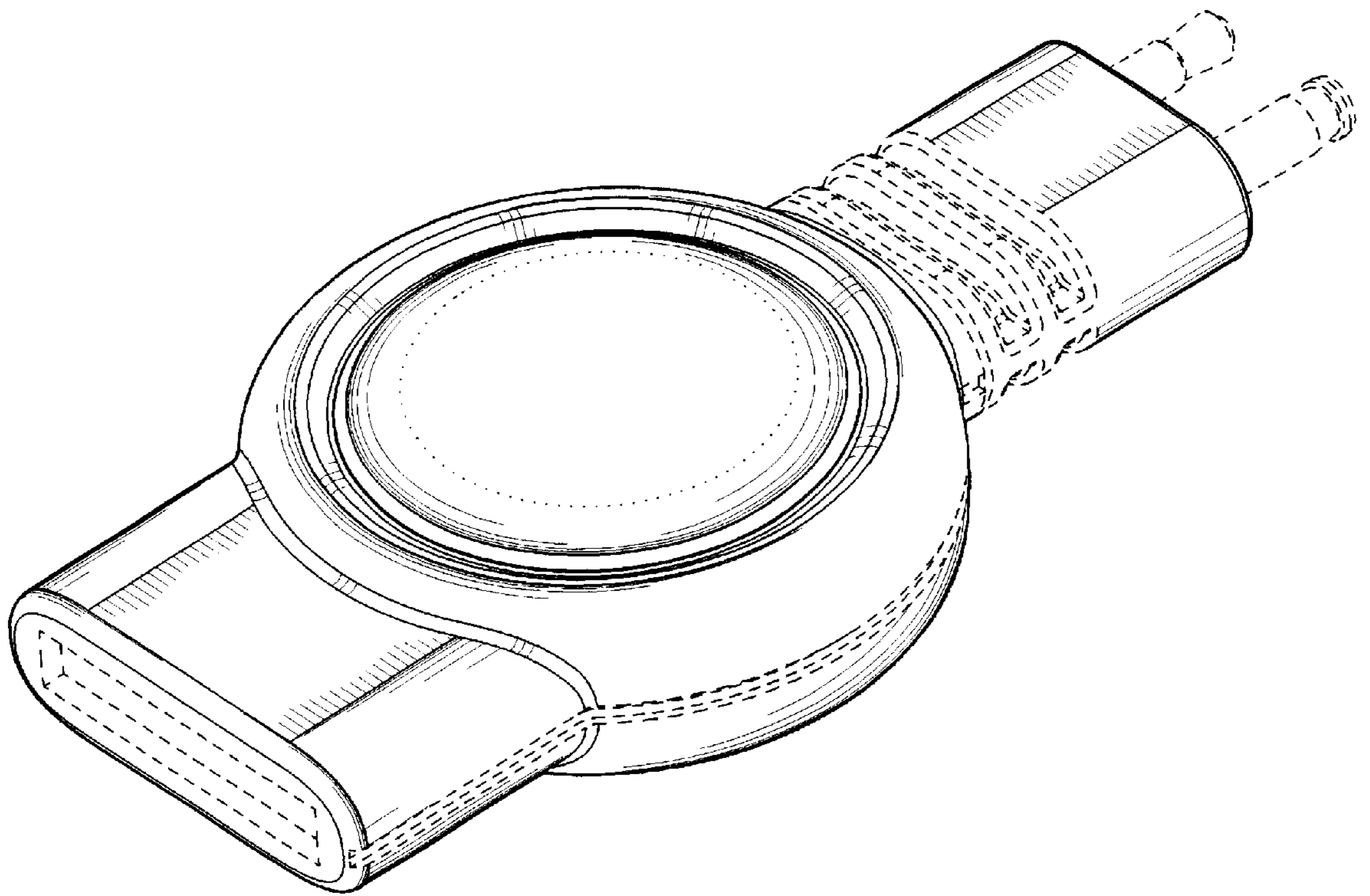


FIG. 1

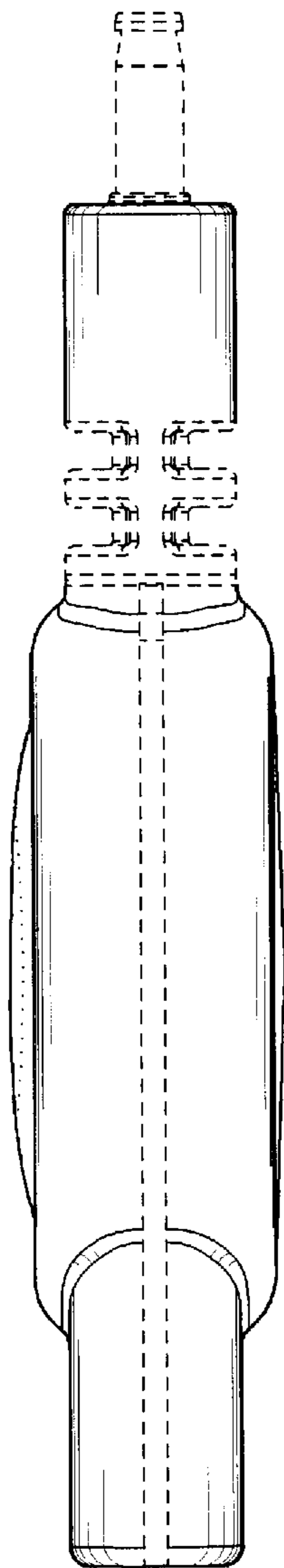


FIG. 2

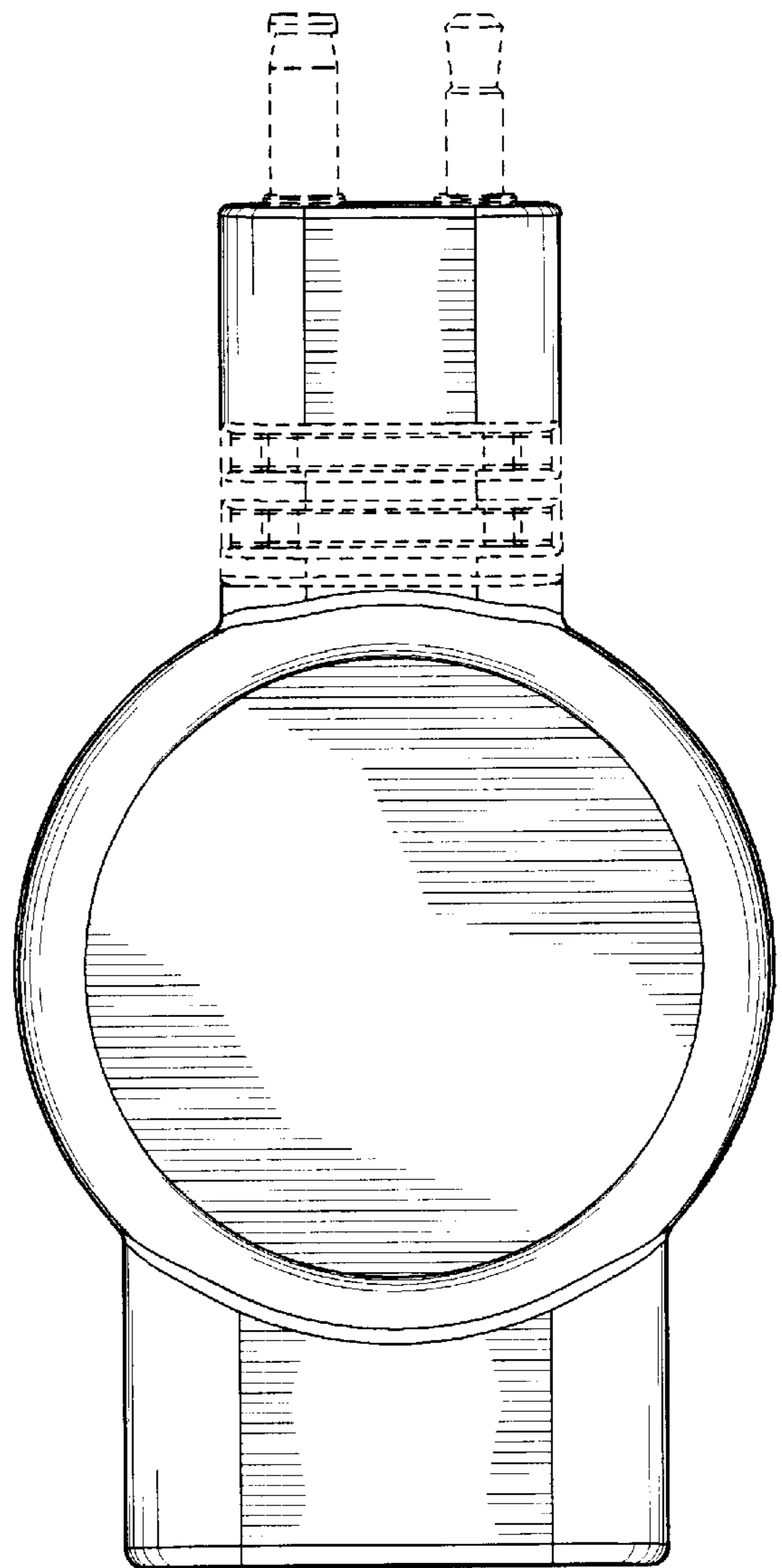


FIG. 3

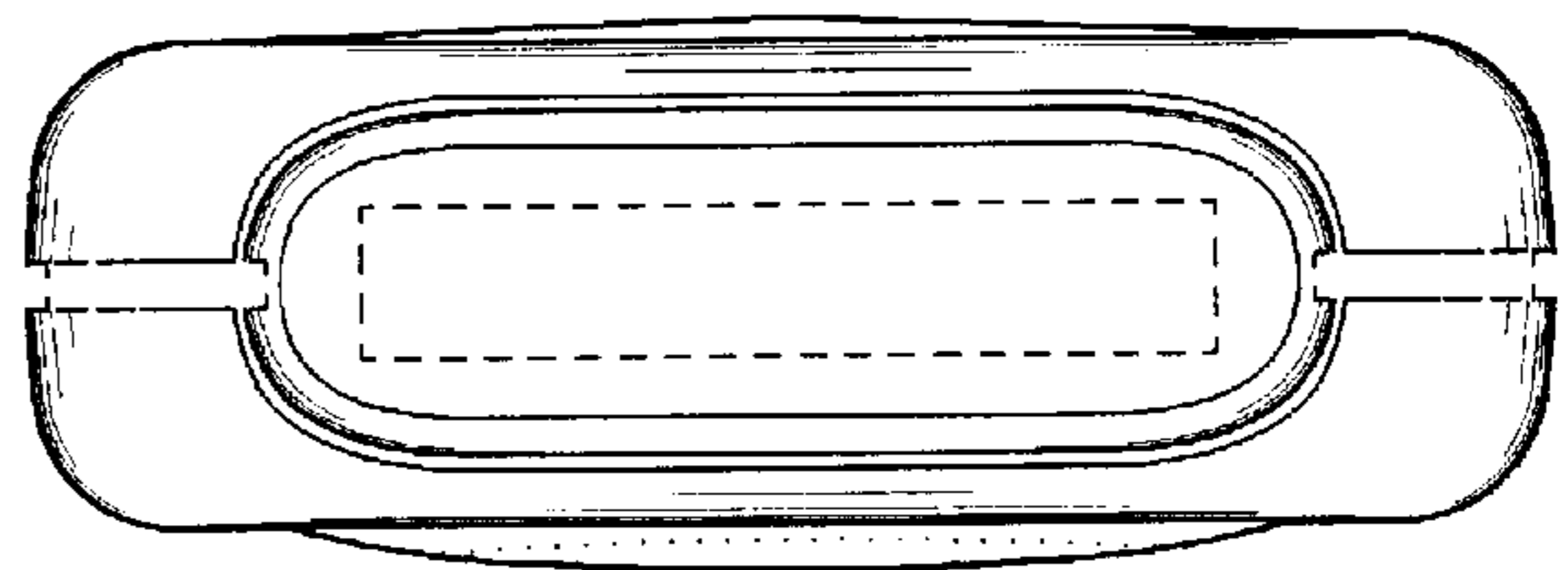


FIG. 4

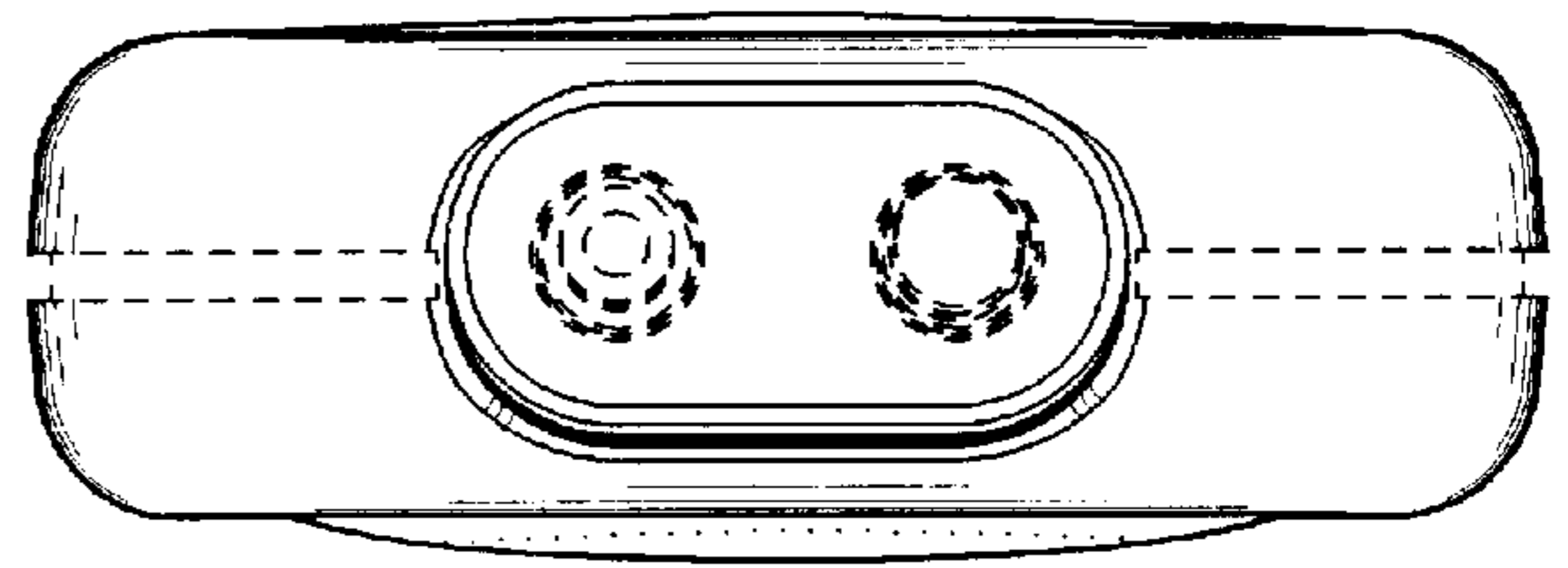


FIG. 5

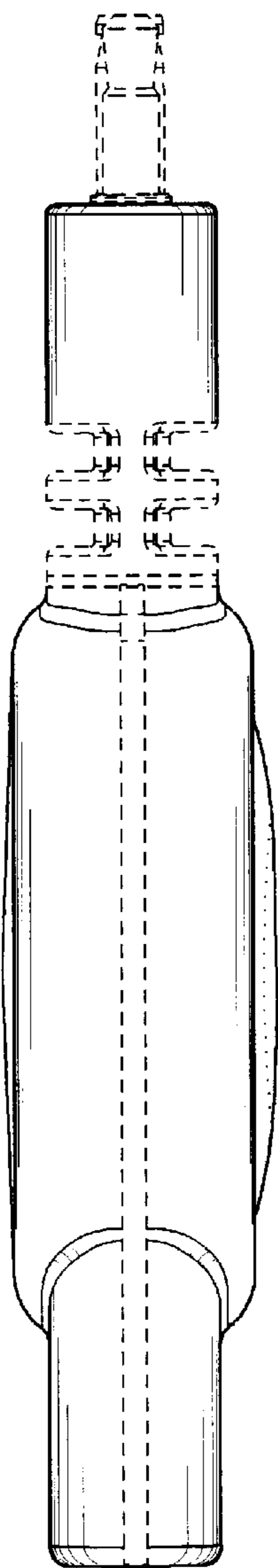


FIG. 6

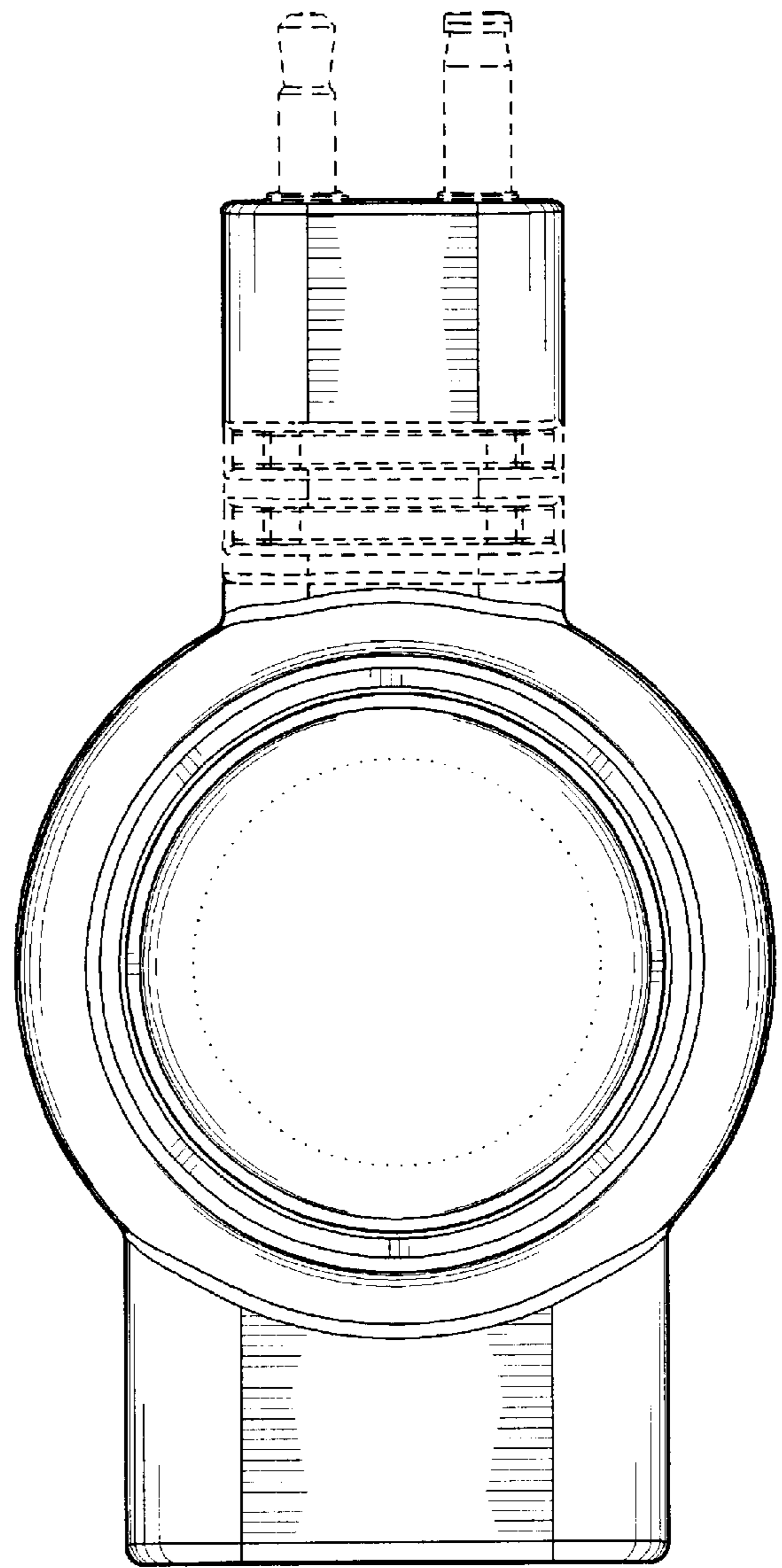


FIG. 7