



US00D484135S

(12) **United States Design Patent**
Netzel et al.

(10) **Patent No.:** **US D484,135 S**

(45) **Date of Patent:** **** Dec. 23, 2003**

(54) **FACEPLATE OF A HANDHELD COMPUTER**

(75) Inventors: **Zita Netzel**, Campbell, CA (US); **Brent Eikanas**, San Jose, CA (US); **Victor Heldt**, Sunnyvale, CA (US); **David Christopher**, San Francisco, CA (US); **Maike Evers**, San Francisco, CA (US); **Lawrence Lam**, San Jose, CA (US); **Michael Ryner**, Brentwood, CA (US); **Todd Lewis**, Mountain View, CA (US)

(73) Assignee: **Palm, Inc.**, Milpitas, CA (US)

(**) Term: **14 Years**

(21) Appl. No.: **29/148,415**

(22) Filed: **Sep. 19, 2001**

(51) **LOC (7) Cl.** **14-02**

(52) **U.S. Cl.** **D14/432**

(58) **Field of Search** D14/341-346,
D14/441-446, 432; D18/1, 2, 7, 6; 235/145 A,
145 R; 341/22, 23; 345/104, 156, 168,
169, 173; 361/680-686

(56) **References Cited**

U.S. PATENT DOCUMENTS

5,555,157 A	*	9/1996	Moller et al.	361/683
D408,021 S	*	4/1999	Haitani et al.	D14/345
D423,468 S	*	4/2000	Jenkins	D14/342
D434,034 S	*	11/2000	Burke et al.	D14/341
D443,612 S	*	6/2001	Evers et al.	D14/341
D445,447 S	*	7/2001	Chan	D18/7

OTHER PUBLICATIONS

MacMall p. 50 Palm Vx.*

* cited by examiner

Primary Examiner—Freda Nunn

(74) *Attorney, Agent, or Firm*—Shemwell Gregory & Courtney

(57) **CLAIM**

The ornamental design for a faceplate of a handheld computer, as shown and described.

DESCRIPTION

FIG. 1 is a front isometric view of a faceplate of a handheld computer wherein a handheld computer is shown in broken lines for illustrative purposes only and forms no part of the claimed design;

FIG. 2 is a back isometric view of the faceplate;

FIG. 3 is a front isometric view of the faceplate without the handheld computer;

FIG. 4 is a back isometric view of the faceplate;

FIG. 5 is a front view of the faceplate;

FIG. 6 is a first side view of the faceplate;

FIG. 7 is a back view of the faceplate;

FIG. 8 is a second side view of the faceplate;

FIG. 9 is a top view of a faceplate;

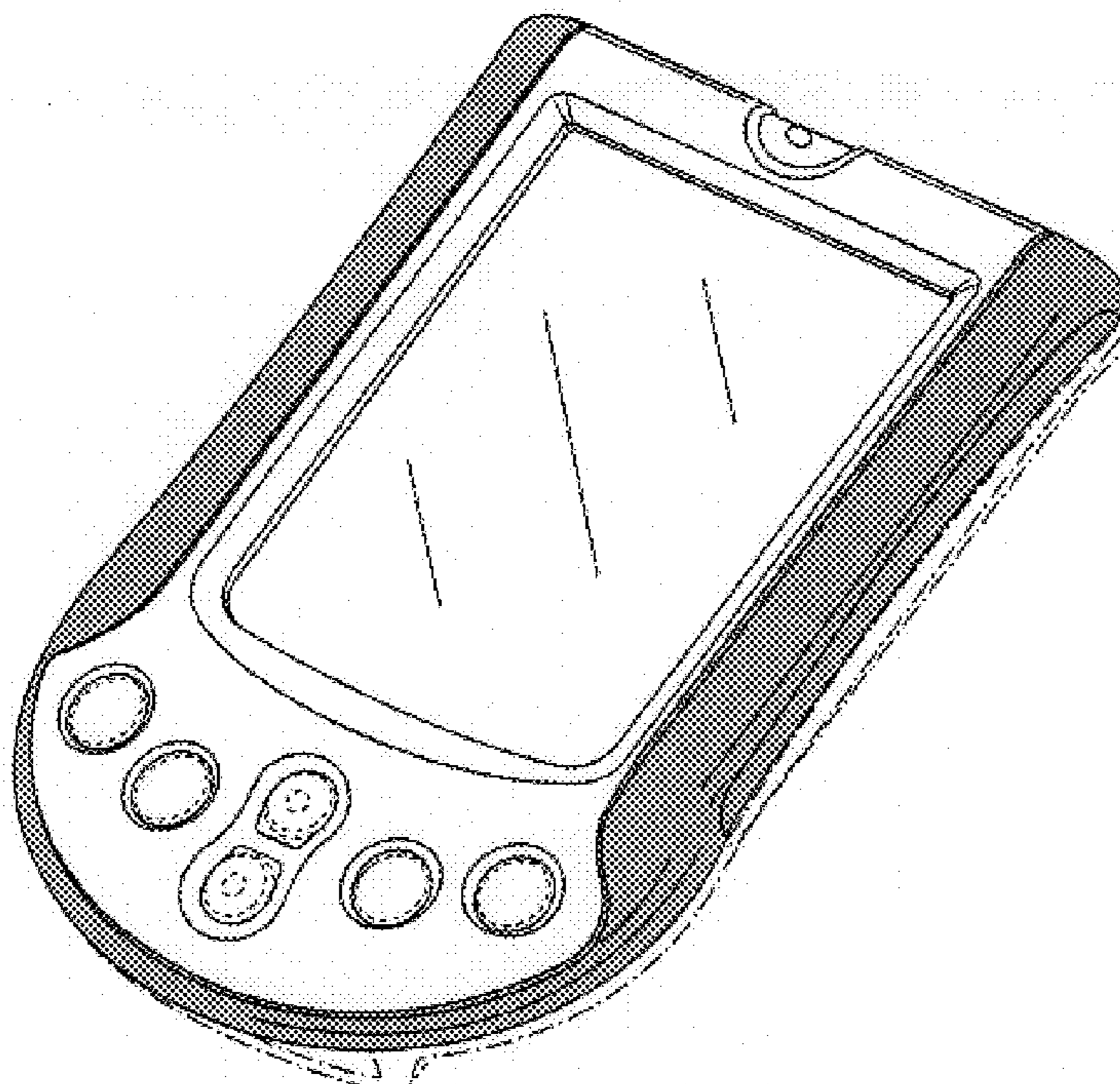
FIG. 10 is a bottom view of a faceplate;

FIG. 11 is a front view of a second embodiment of a faceplate;

FIG. 12 is a front view of a third embodiment of a faceplate; and,

FIG. 13 is a front view of a fourth embodiment of a faceplate.

1 Claim, 8 Drawing Sheets



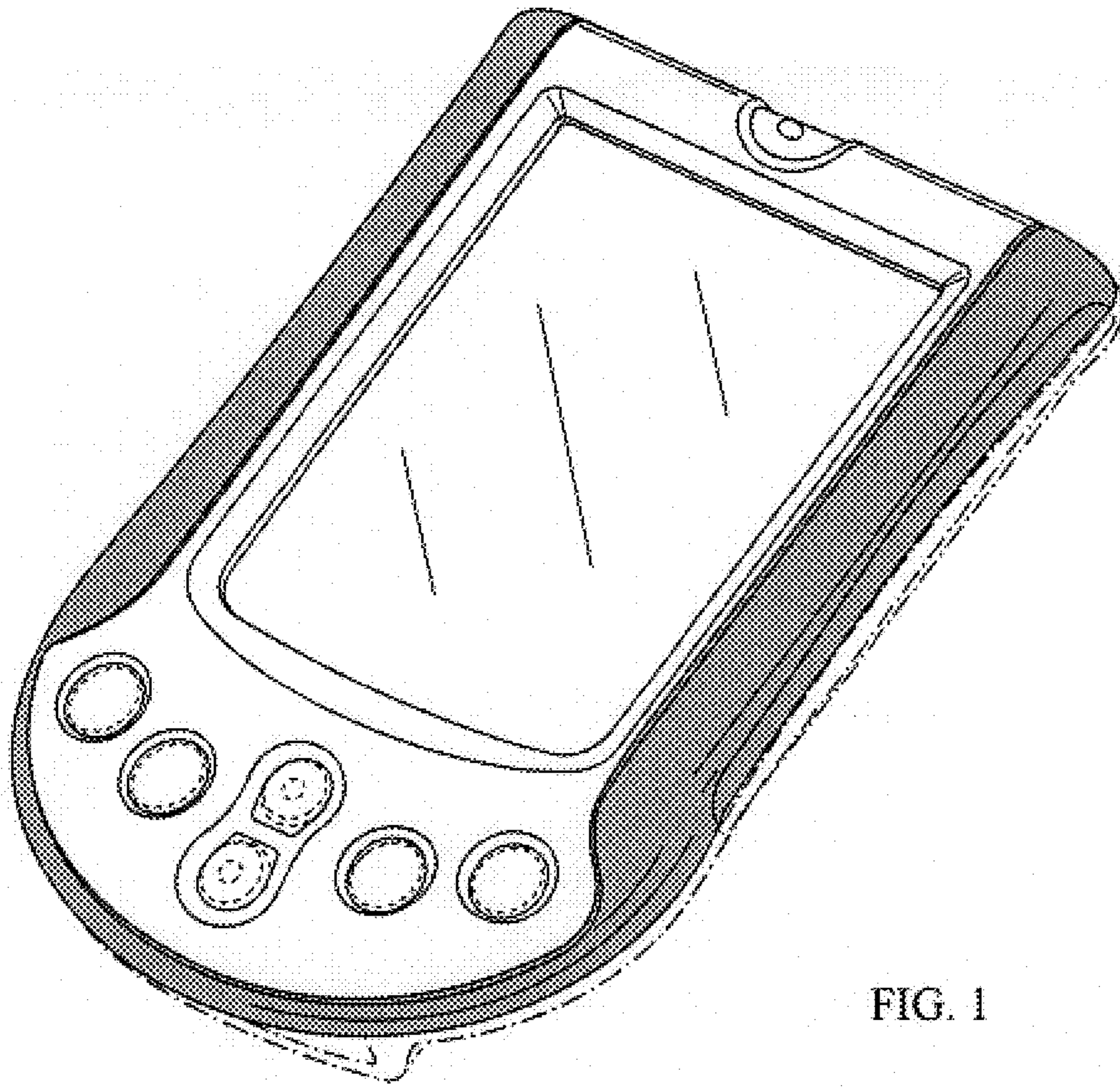


FIG. 1

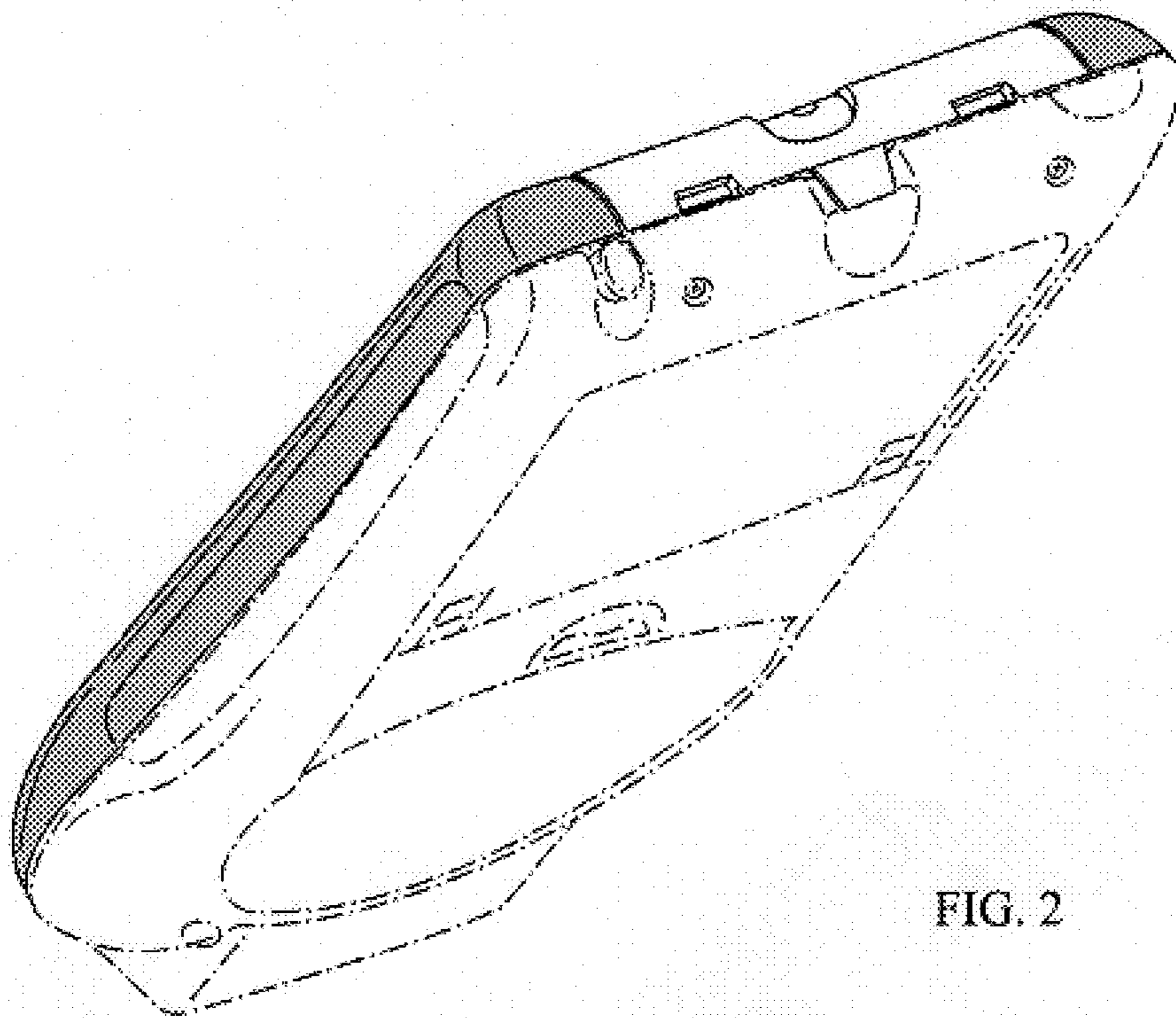


FIG. 2

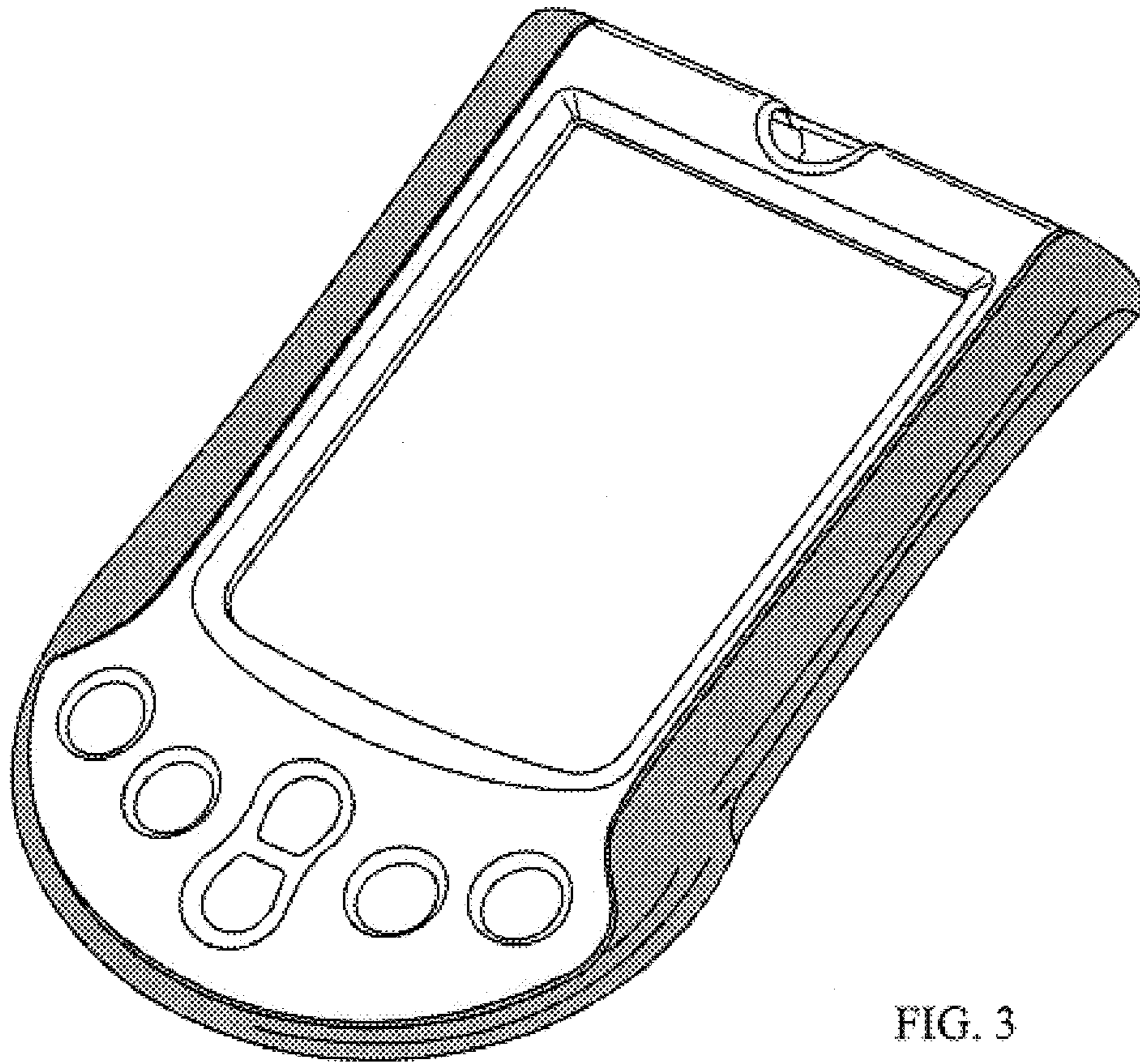


FIG. 3

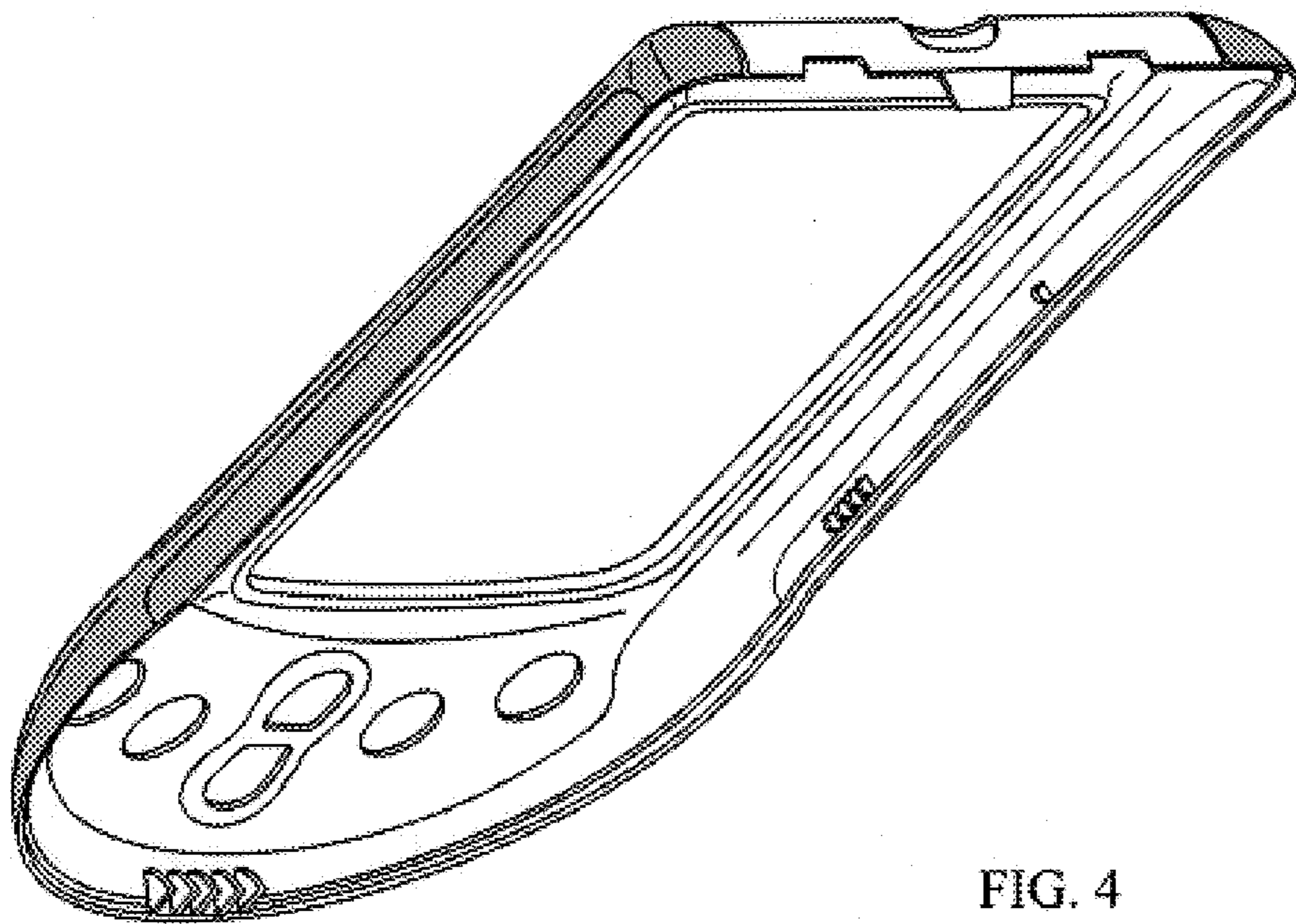


FIG. 4

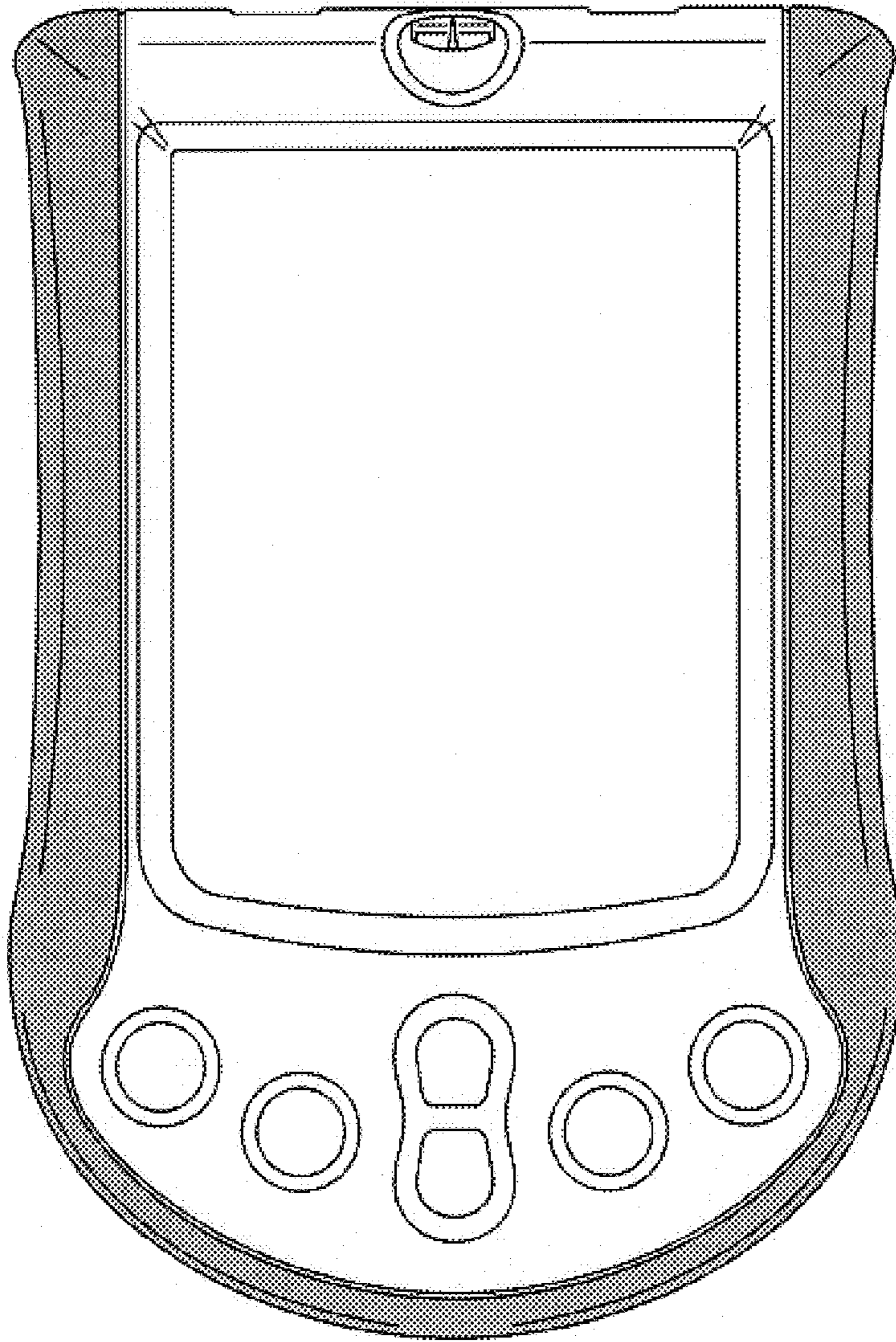


FIG. 5

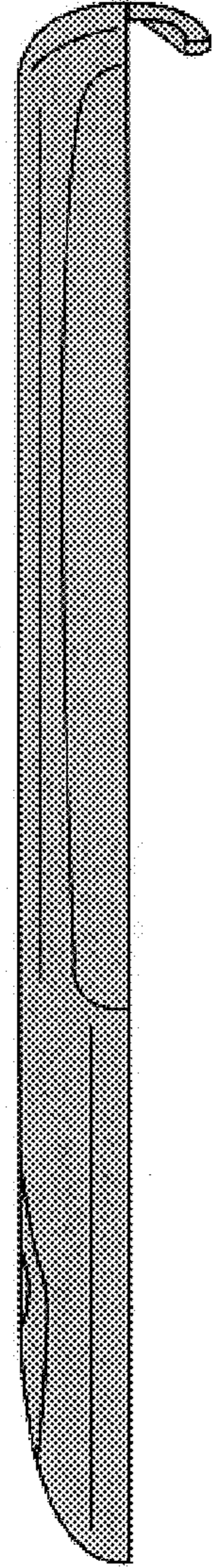


FIG. 6

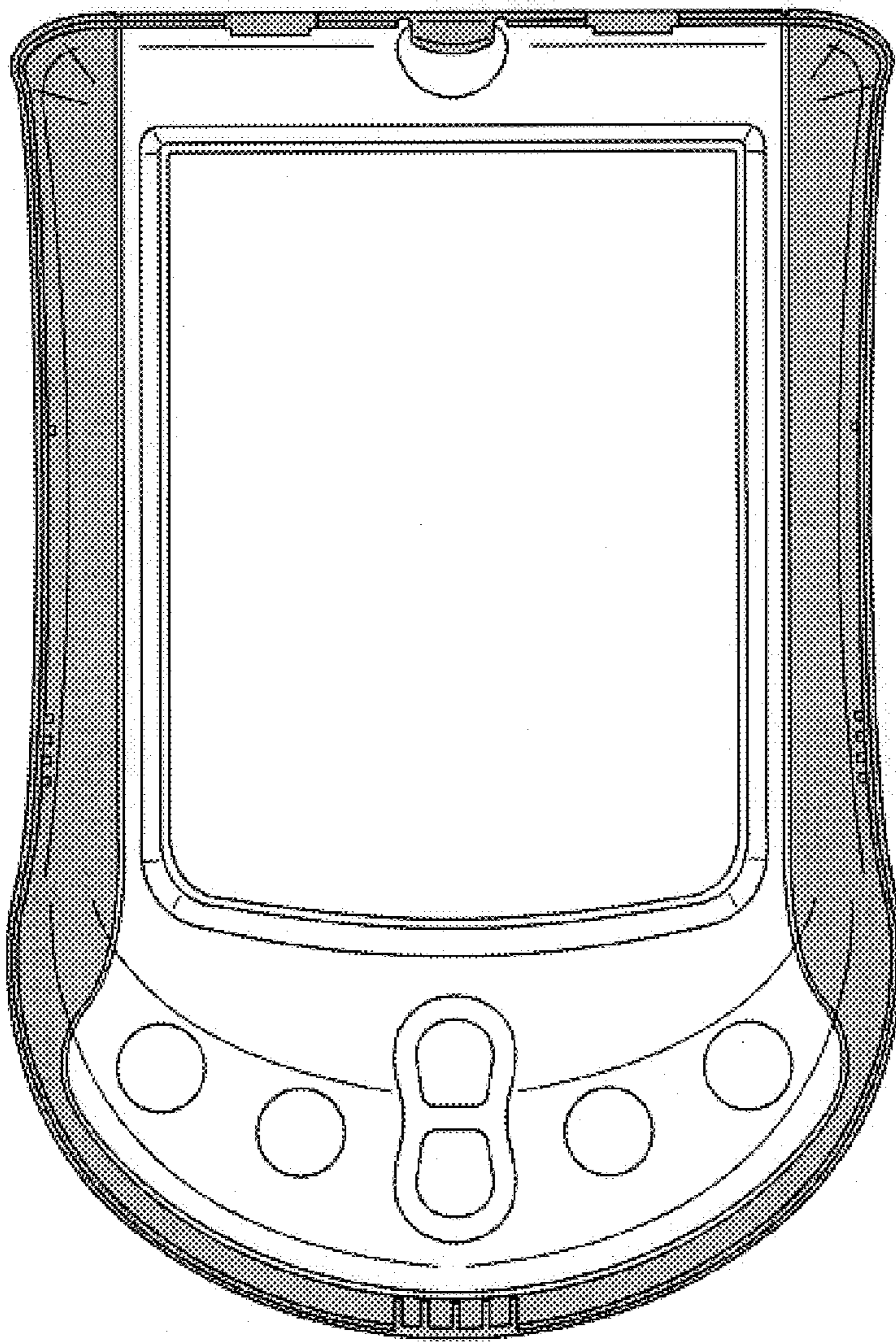


FIG. 7

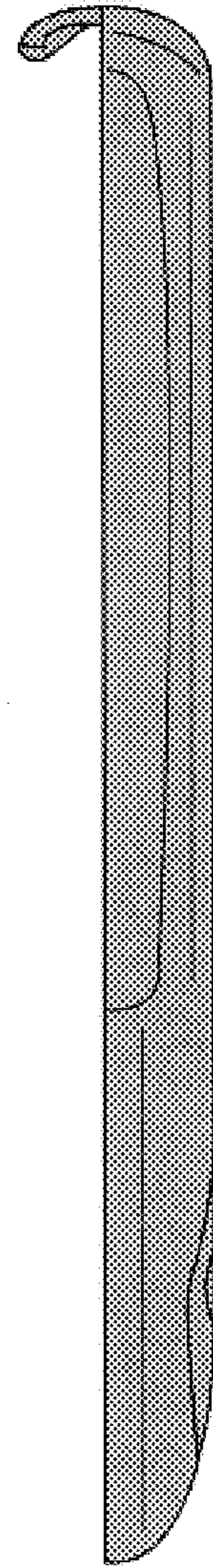


FIG. 8

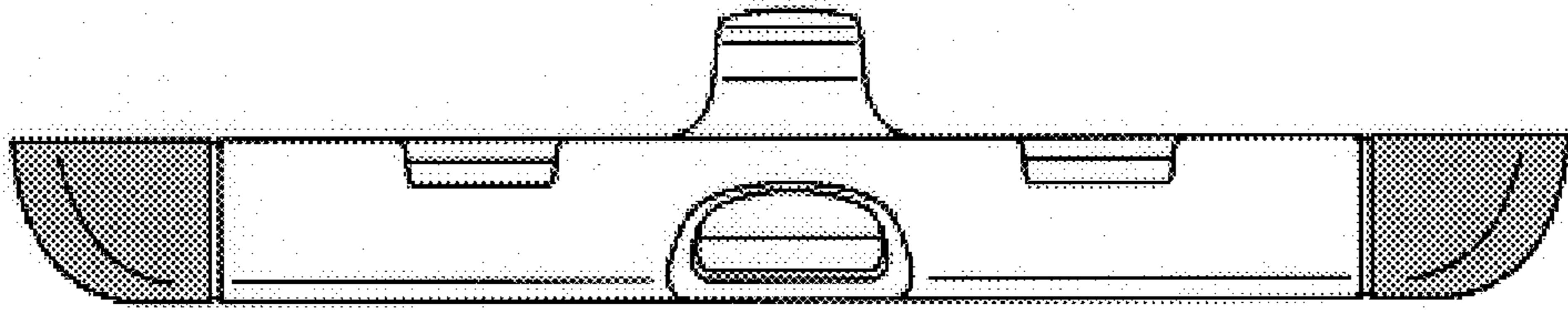


FIG. 9

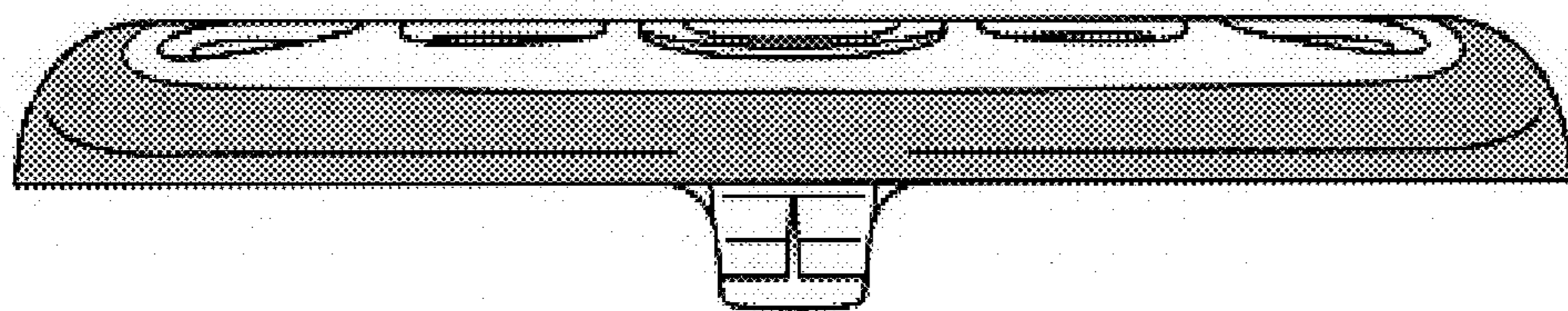


FIG. 10

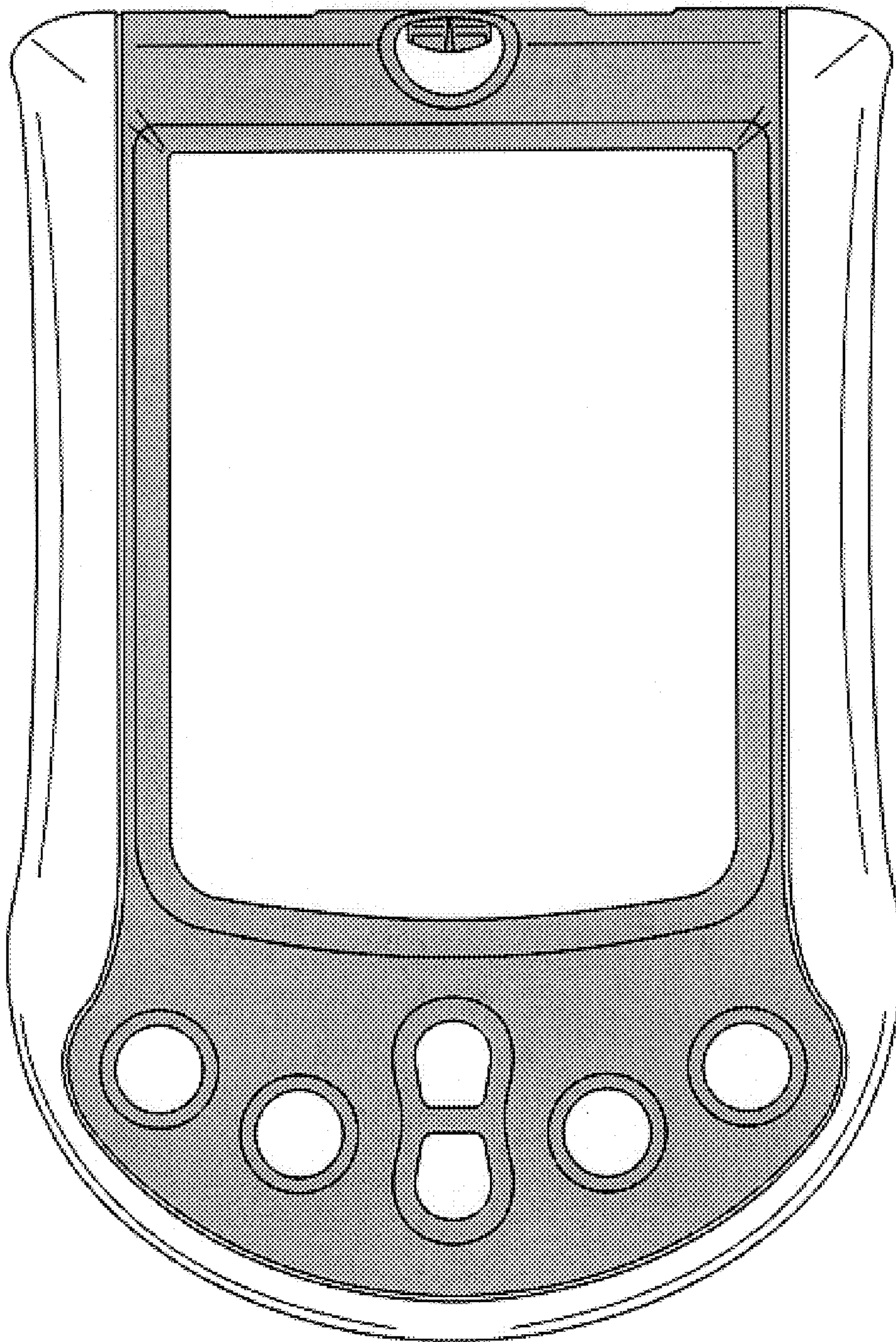


FIG. 11

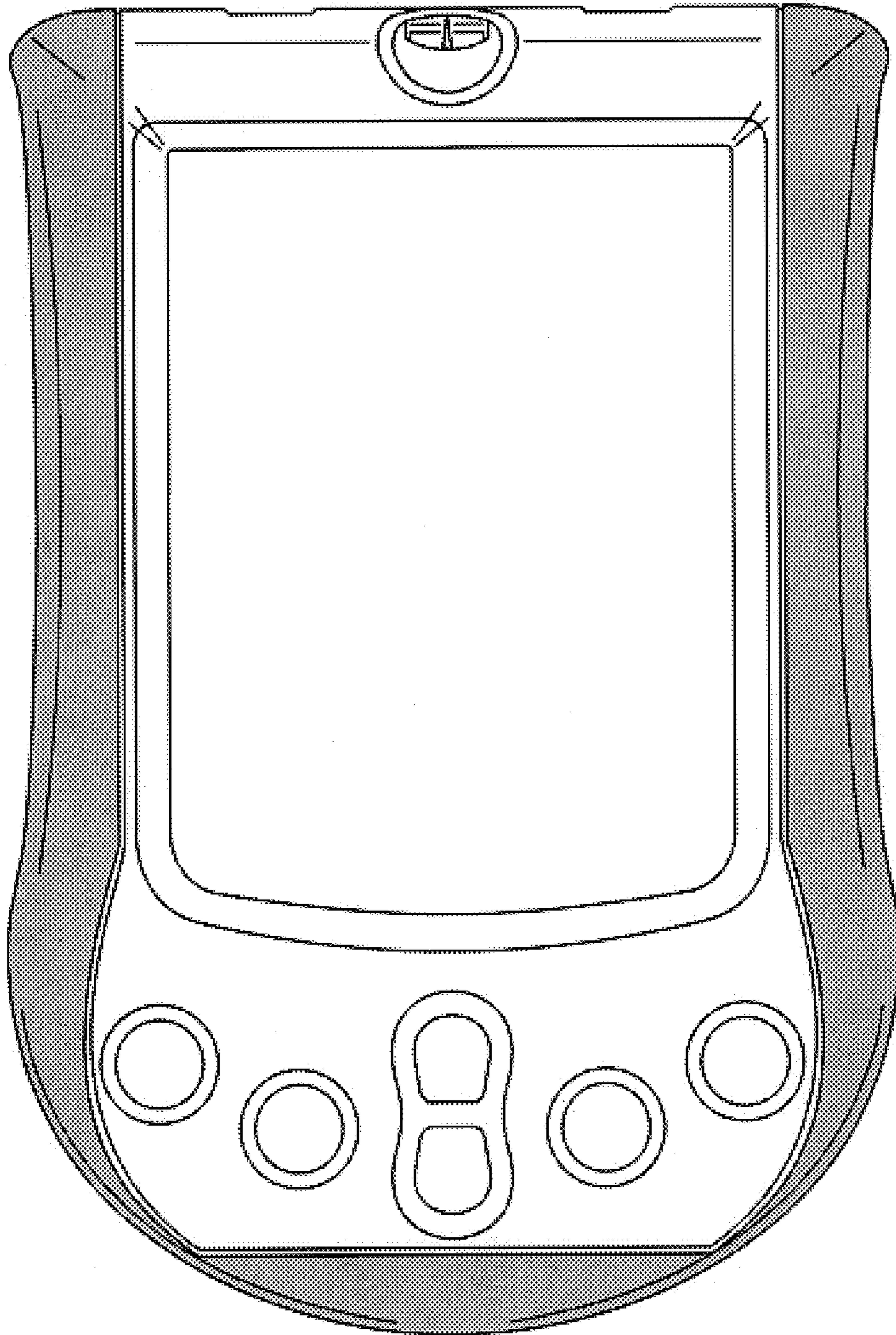


FIG. 12

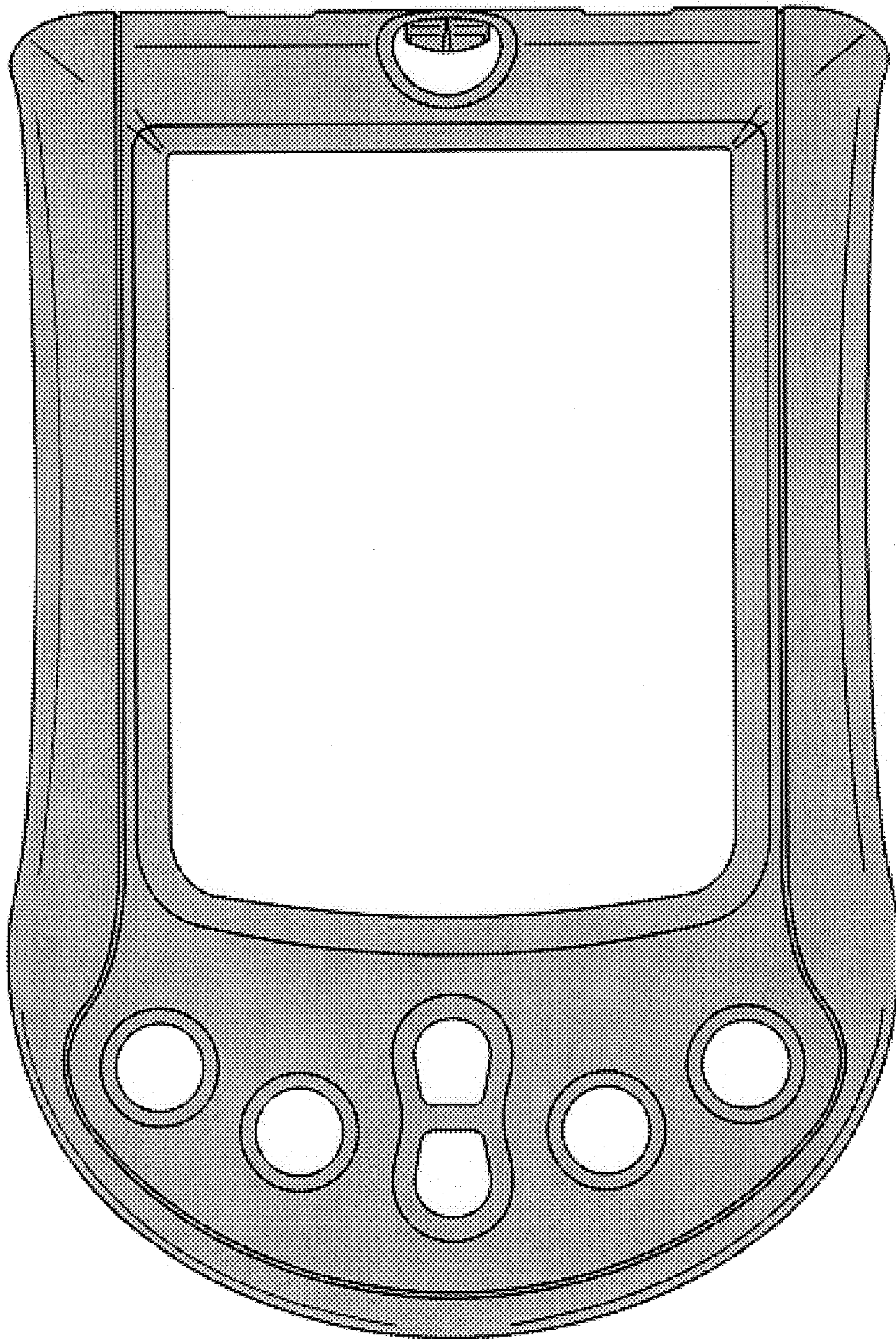


FIG. 13