



US00D484134S

(12) **United States Design Patent**
Oda

(10) **Patent No.:** **US D484,134 S**

(45) **Date of Patent:** **** Dec. 23, 2003**

(54) **DISPLAY DEVICE FOR PROGRAMMABLE CONTROLLER**

D469,090 S * 1/2003 Tsuji D14/374

* cited by examiner

(75) Inventor: **Norio Oda**, Kyoto (JP)

Primary Examiner—Ted Shooman

(73) Assignee: **OMRON Corporatin**, Kyoto (JP)

Assistant Examiner—Selina Sikder

(**) Term: **14 Years**

(74) *Attorney, Agent, or Firm*—Dickstein Shapiro Morin & Oshinsky LLP

(21) Appl. No.: **29/141,450**

(57) **CLAIM**

(22) Filed: **May 8, 2001**

The ornamental design for a display device for programmable controller, as shown and described.

(30) **Foreign Application Priority Data**

DESCRIPTION

Nov. 17, 2000 (JP) 2000-032942

(51) **LOC (7) Cl.** **14-02**

(52) **U.S. Cl.** **D14/382**

(58) **Field of Search** D14/371, 374, D14/382, 389; 361/680, 681, 682, 683, 684, 685, 686; 348/180, 184, 325, 739; 349/1, 2, 11; 341/22

FIG. 1 is a front view showing our new design for a display device for programmable controller;
FIG. 2 is a bottom plan view of the display device for programmable controller of FIG. 1;
FIG. 3 is an enlarged front elevation view within the rectangular area designated as 3 in FIG. 1;
FIG. 4 is a greatly enlarged front elevation view within the rectangular area designated as 4 in FIG. 3;
FIG. 5 is an enlarged bottom view within the rectangular area designated as 5 in FIG. 2;
FIG. 6 is a greatly enlarged view within the rectangular area designated as 6 in FIG. 5; and,
FIG. 7 is a perspective view of FIG. 4.

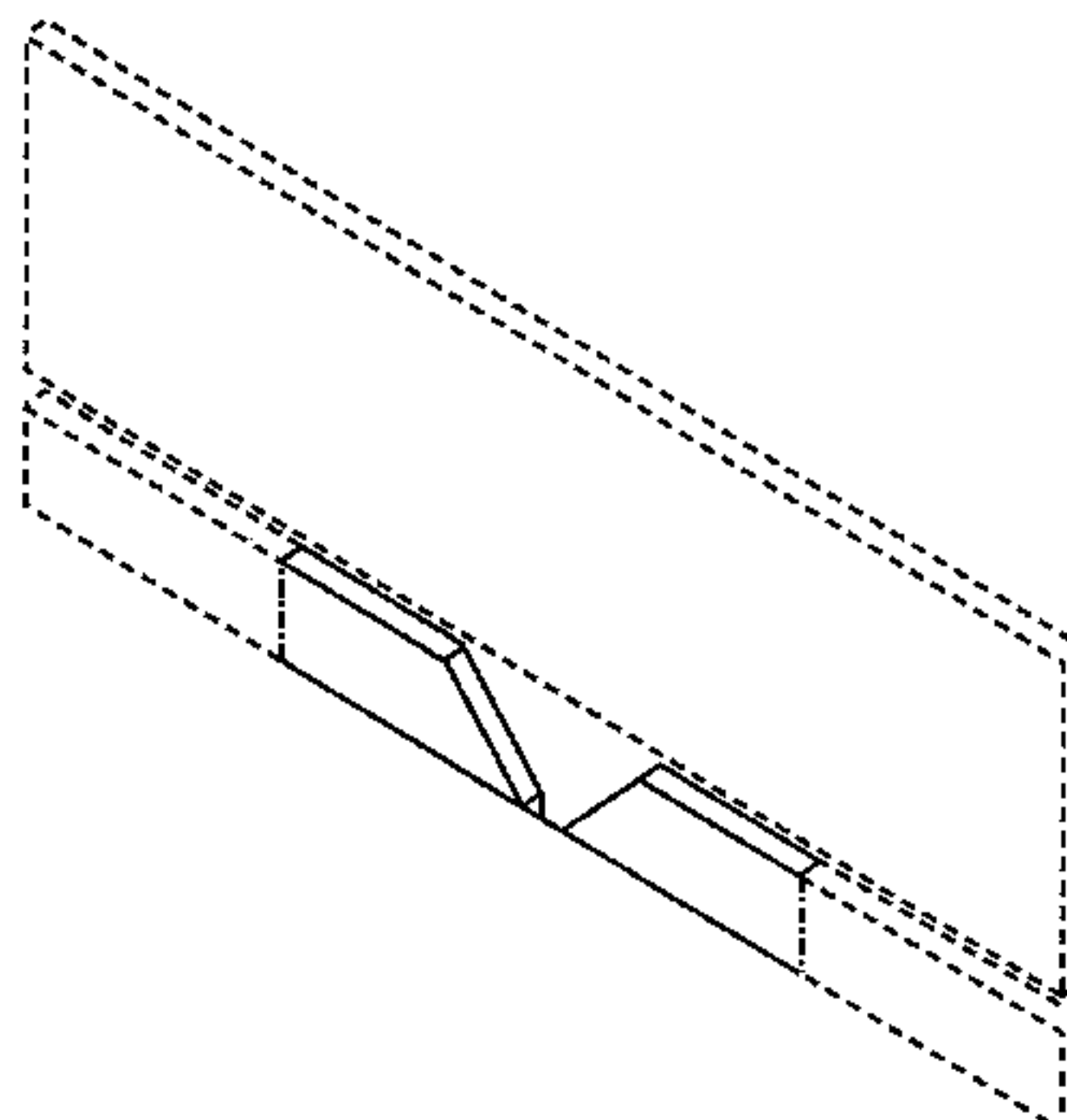
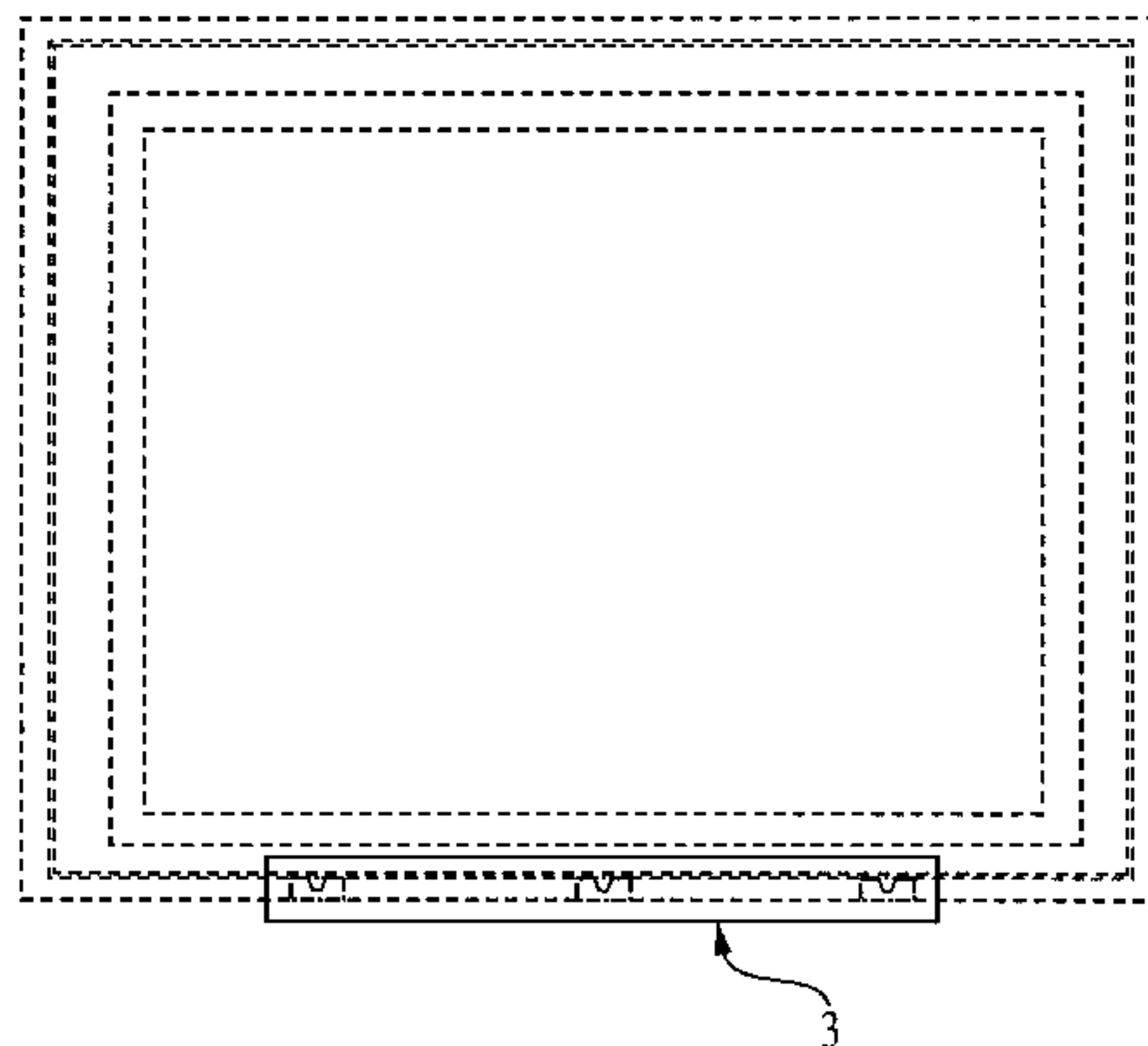
(56) **References Cited**

U.S. PATENT DOCUMENTS

4,745,491 A * 5/1988 Kishi et al. 358/300
D321,172 S * 10/1991 Moore, IV et al. D14/100
D337,322 S * 7/1993 Tso D14/114
5,995,179 A * 11/1999 Tamura et al. 349/58
6,020,942 A * 2/2000 Yun et al. 349/58
6,226,175 B1 * 5/2001 Murayama et al. 361/680
6,326,955 B1 * 12/2001 Ditzik 345/173
D458,601 S * 6/2002 Hasegawa et al. D14/371

The broken lines represent environmental structure which is not a part of the claimed design. The dotted chain lines represent a boundary between the claimed design and the unclaimed environmental structure.

1 Claim, 4 Drawing Sheets



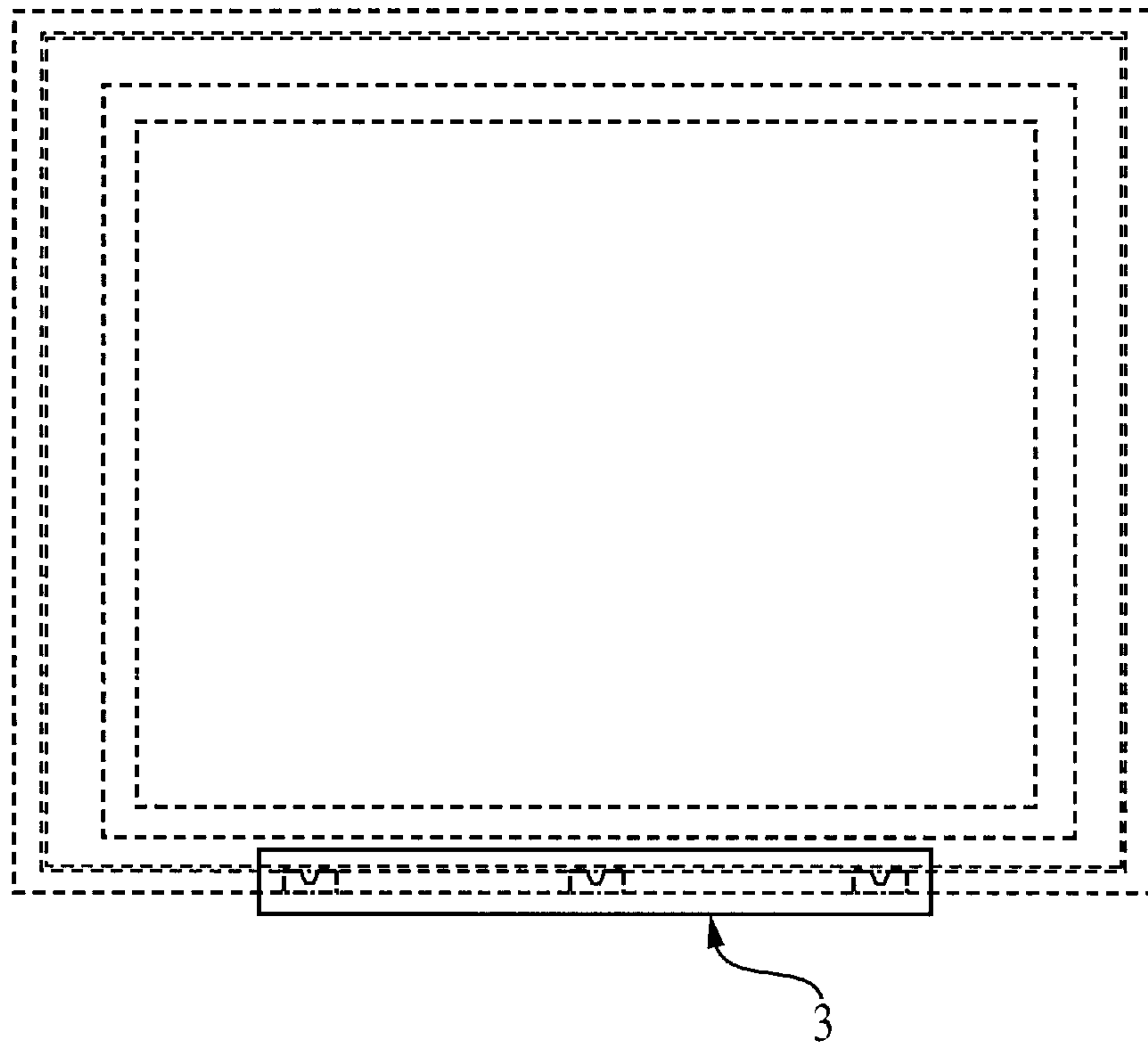


FIG. 1

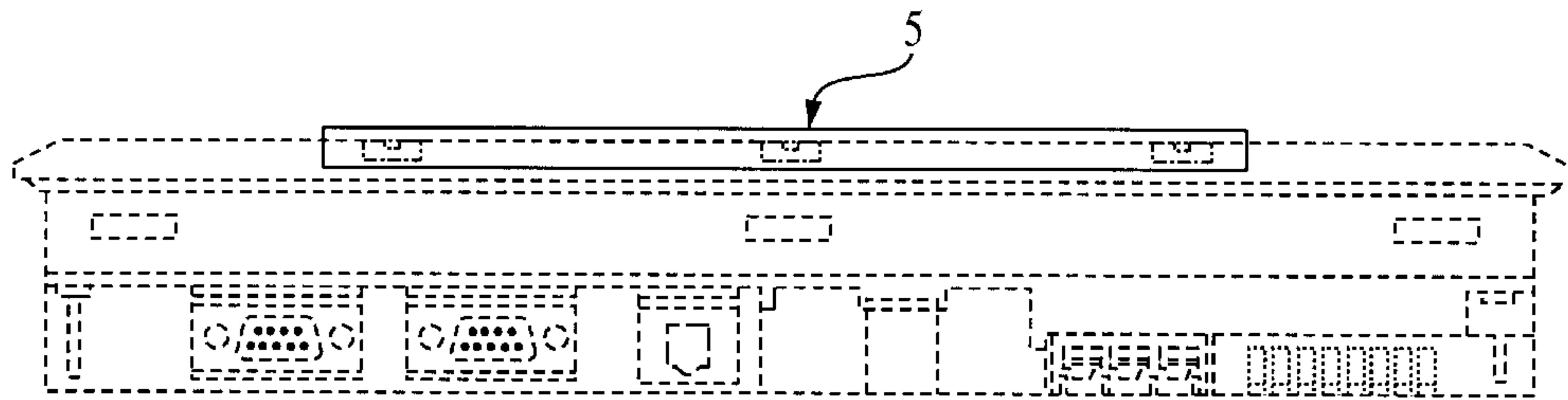


FIG. 2

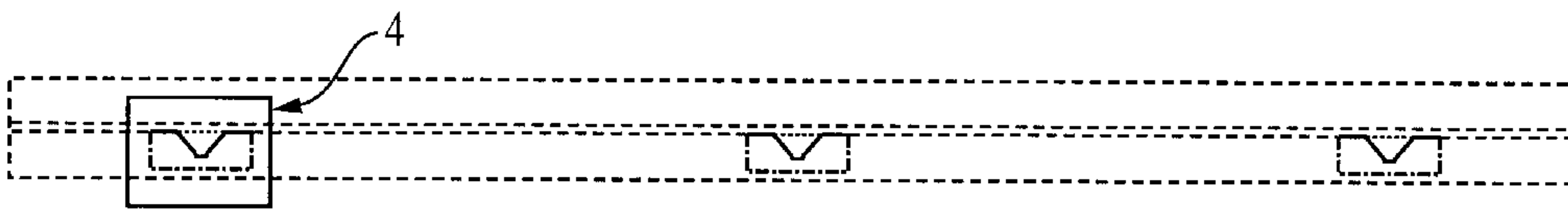


FIG. 3

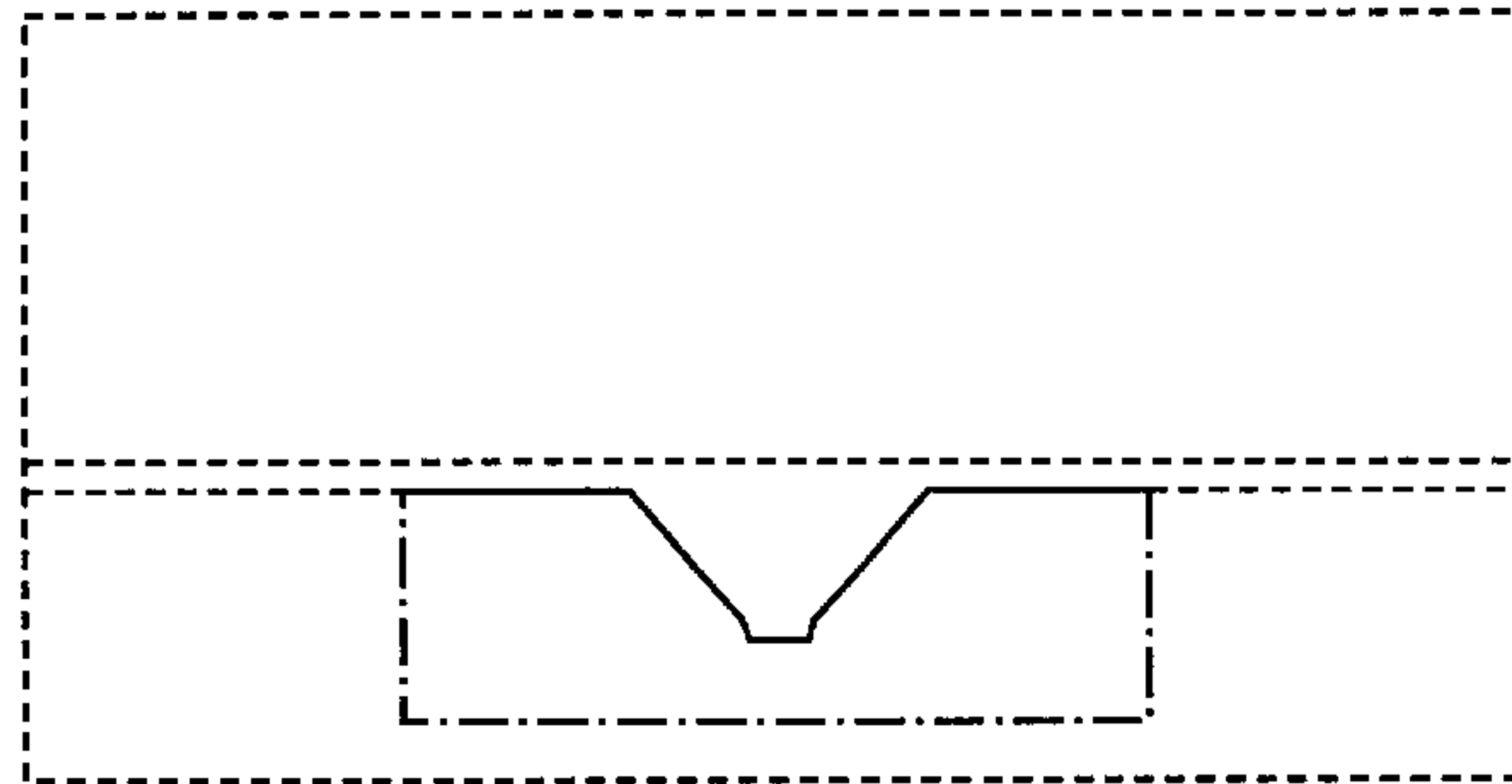


FIG. 4

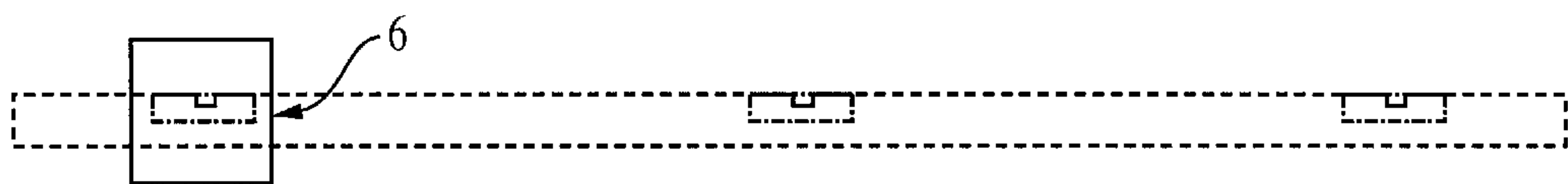


FIG. 5

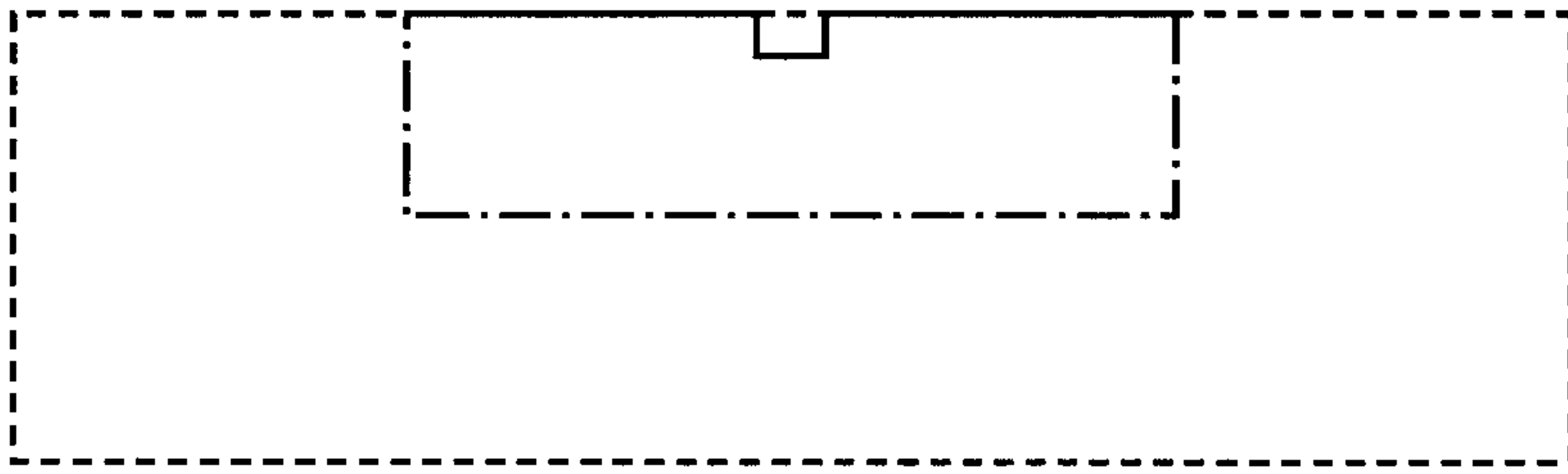


FIG. 6

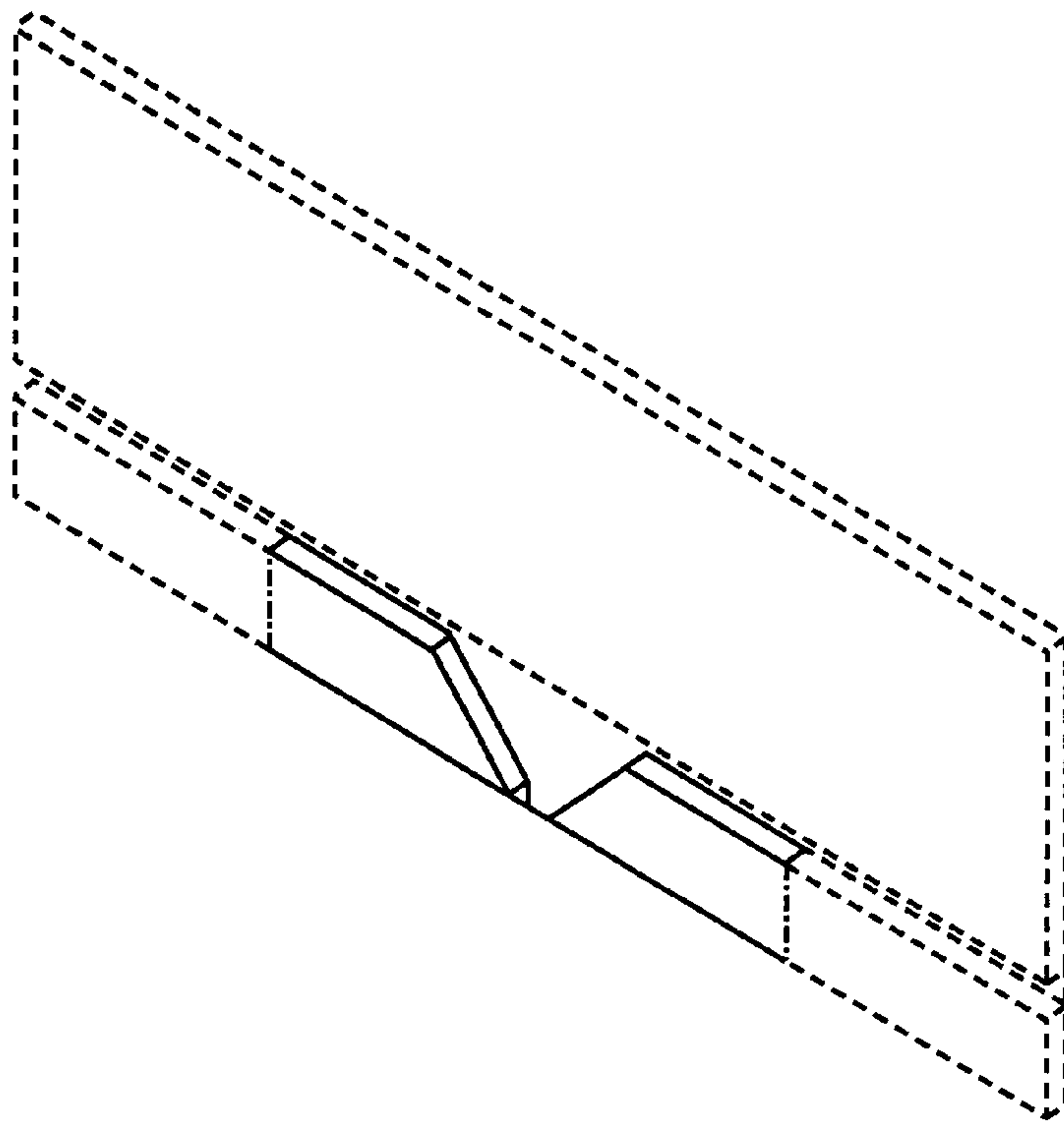


FIG. 7