



US00D484124S

(12) **United States Design Patent**
Shaie

(10) **Patent No.:** **US D484,124 S**

(45) **Date of Patent:** **** Dec. 23, 2003**

(54) **NETWORK SYSTEM COUPLING CASE**

D342,072 S * 12/1993 Nakamura et al. D14/256

D342,073 S * 12/1993 Nakamura et al. D14/256

D471,541 S * 3/2003 Tomino et al. D14/240

(75) Inventor: **John Shaie**, Chong Ho (TW)

(73) Assignee: **Global Sun Technology Inc.**, Taipei (TW)

* cited by examiner

Primary Examiner—Charles A. Rademaker

(**) Term: **14 Years**

(57) **CLAIM**

(21) Appl. No.: **29/171,552**

The ornamental design for a network system coupling case, as shown and described.

(22) Filed: **Nov. 21, 2002**

DESCRIPTION

(51) **LOC (7) Cl.** **14-03**

(52) **U.S. Cl.** **D14/256**

(58) **Field of Search** D14/240, 242, D14/208, 256, 357, 217; 379/413.02, 347; 439/717, 74; 333/109, 110; D13/104

FIG. 1 is a perspective view of a network system coupling case showing my new design; FIG. 2 is a front elevational view thereof; FIG. 3 is a rear elevational view thereof; FIG. 4 is a top plan view thereof; FIG. 5 is a bottom plan view thereof; FIG. 6 is a left side elevational view thereof; and, FIG. 7 is a right side elevational view thereof.

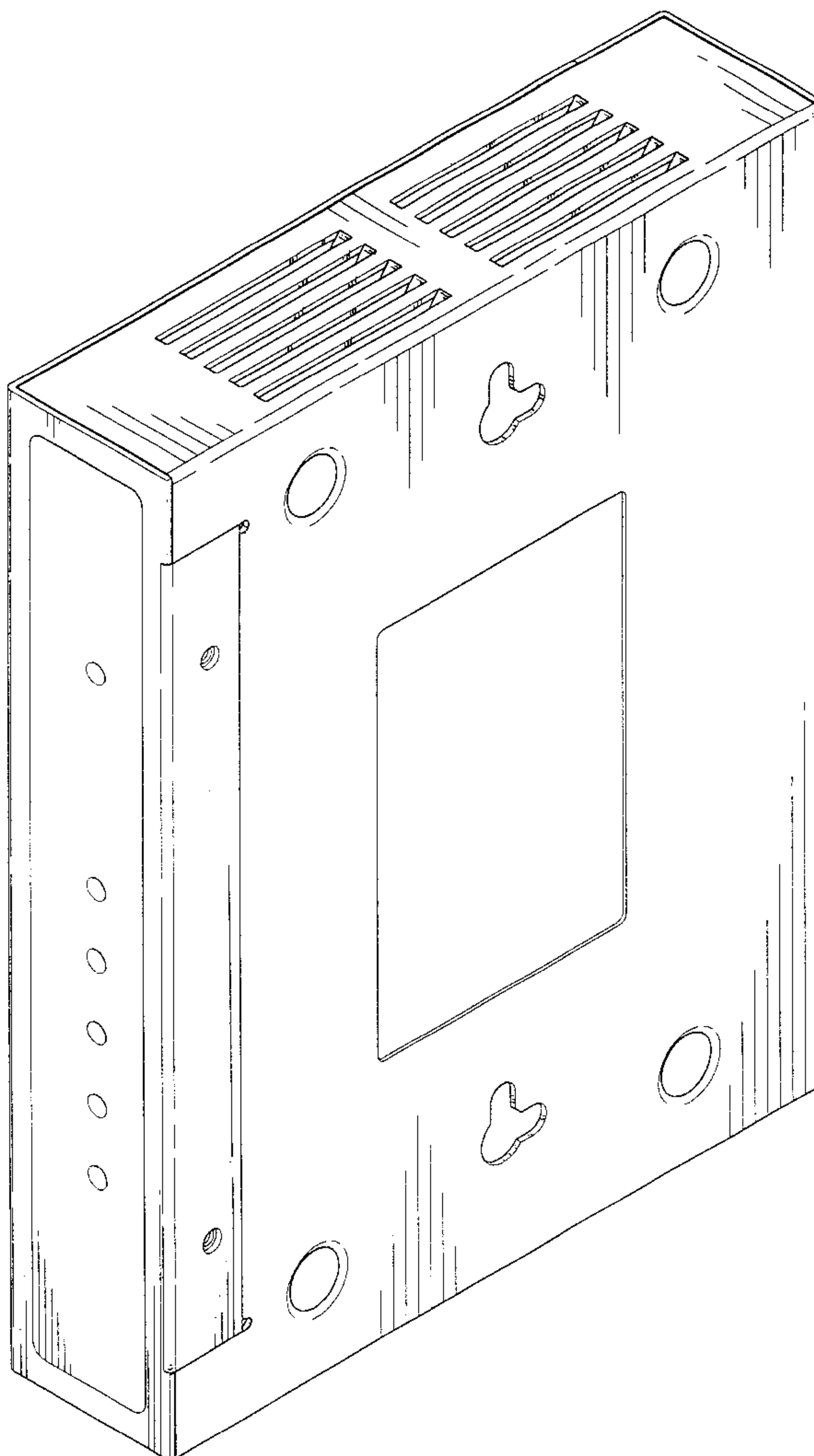
(56) **References Cited**

U.S. PATENT DOCUMENTS

D188,850 S * 9/1960 Clark D14/256

D276,605 S * 12/1984 Neuwirth D14/256

1 Claim, 4 Drawing Sheets



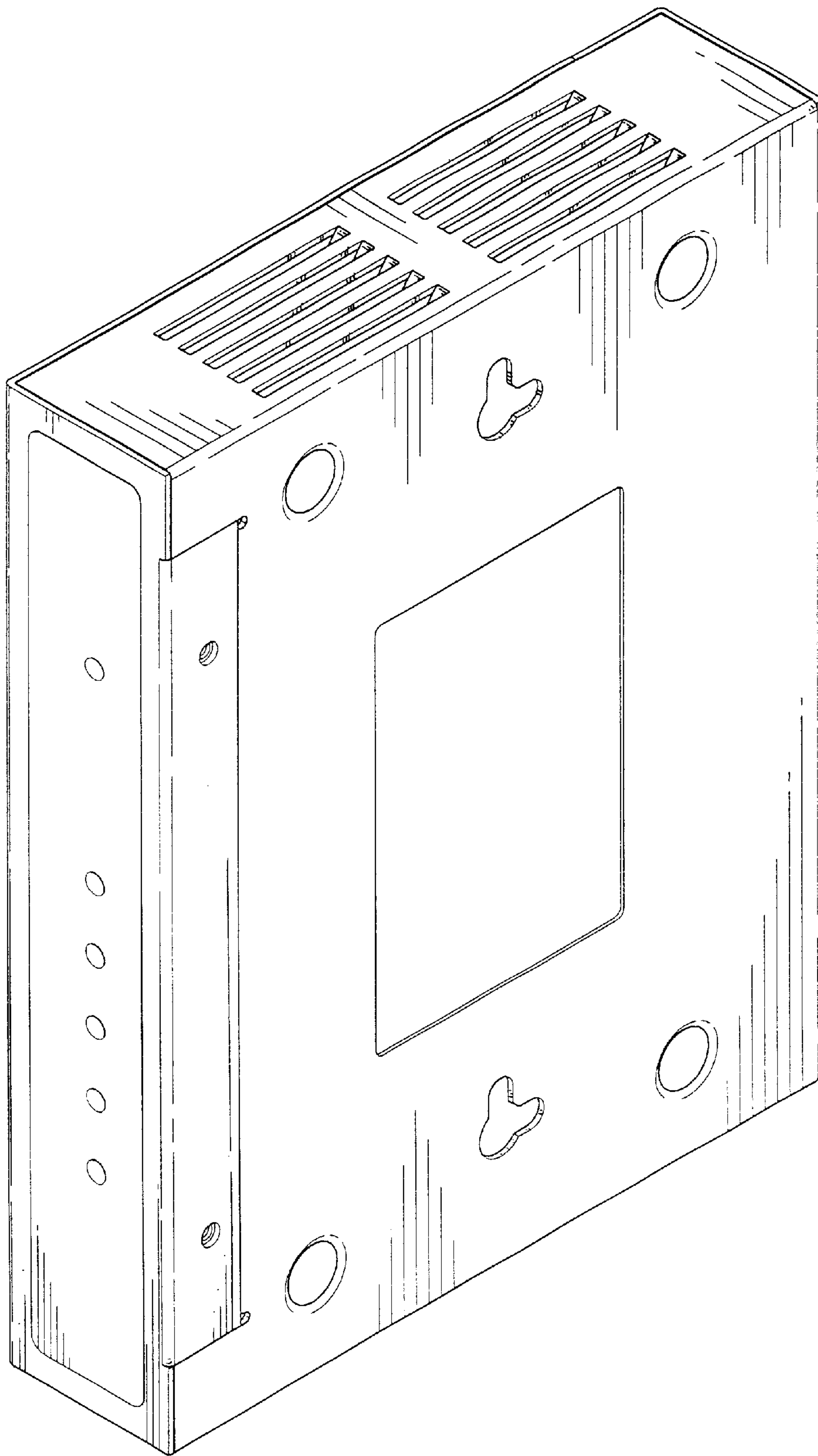


FIG. 1

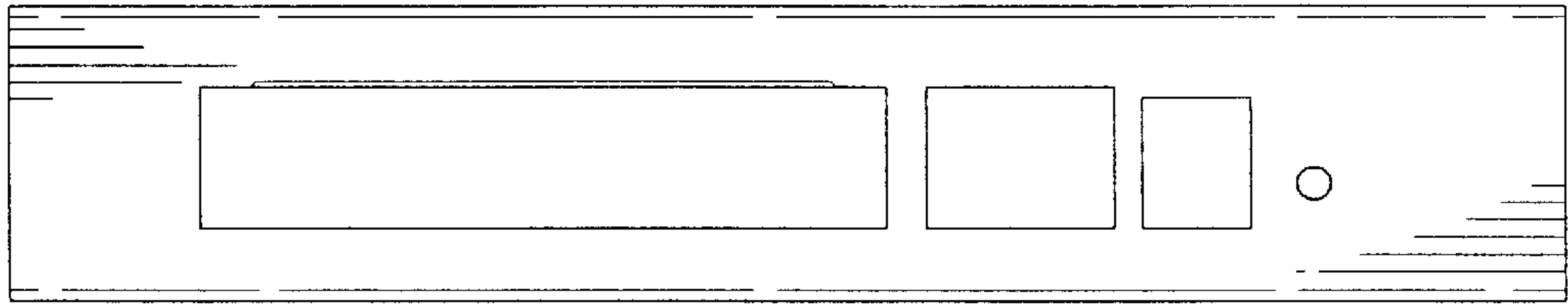


FIG. 3

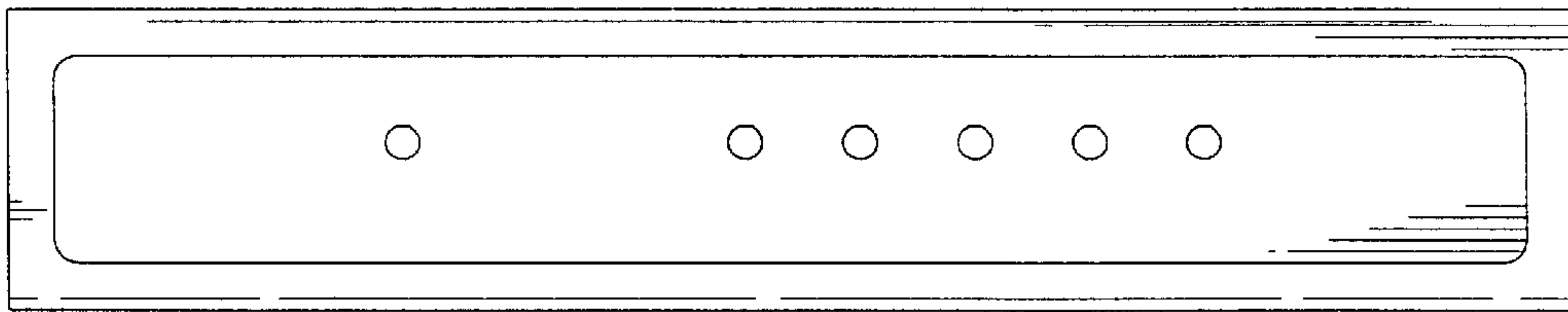


FIG. 2

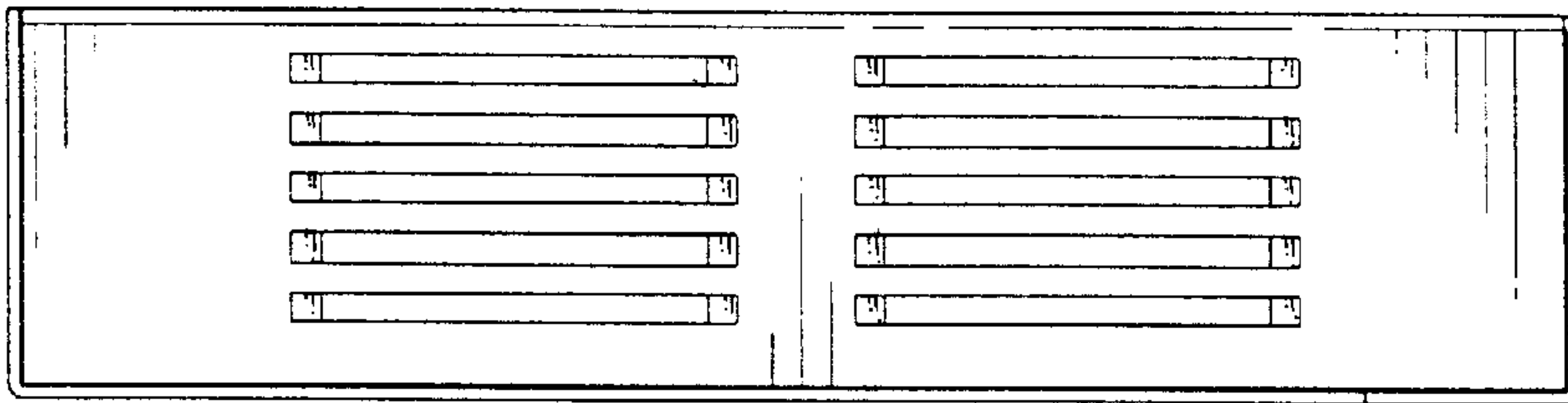


FIG. 5

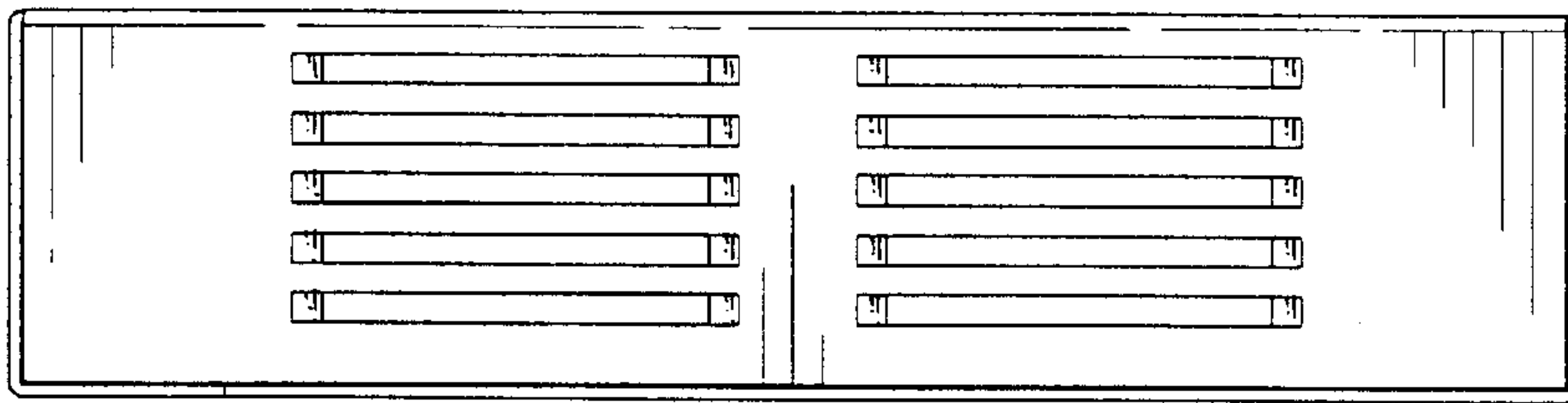


FIG. 4

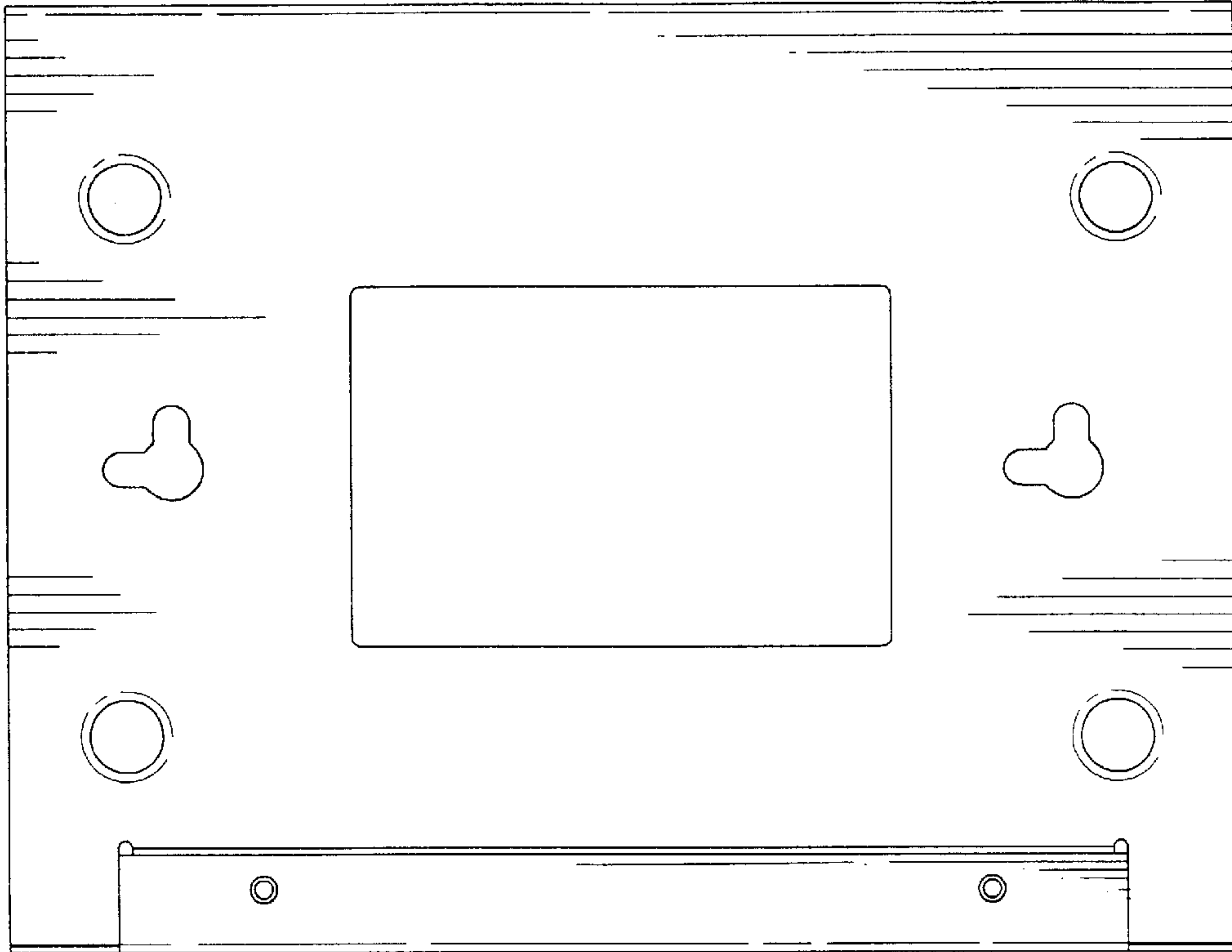


FIG. 7

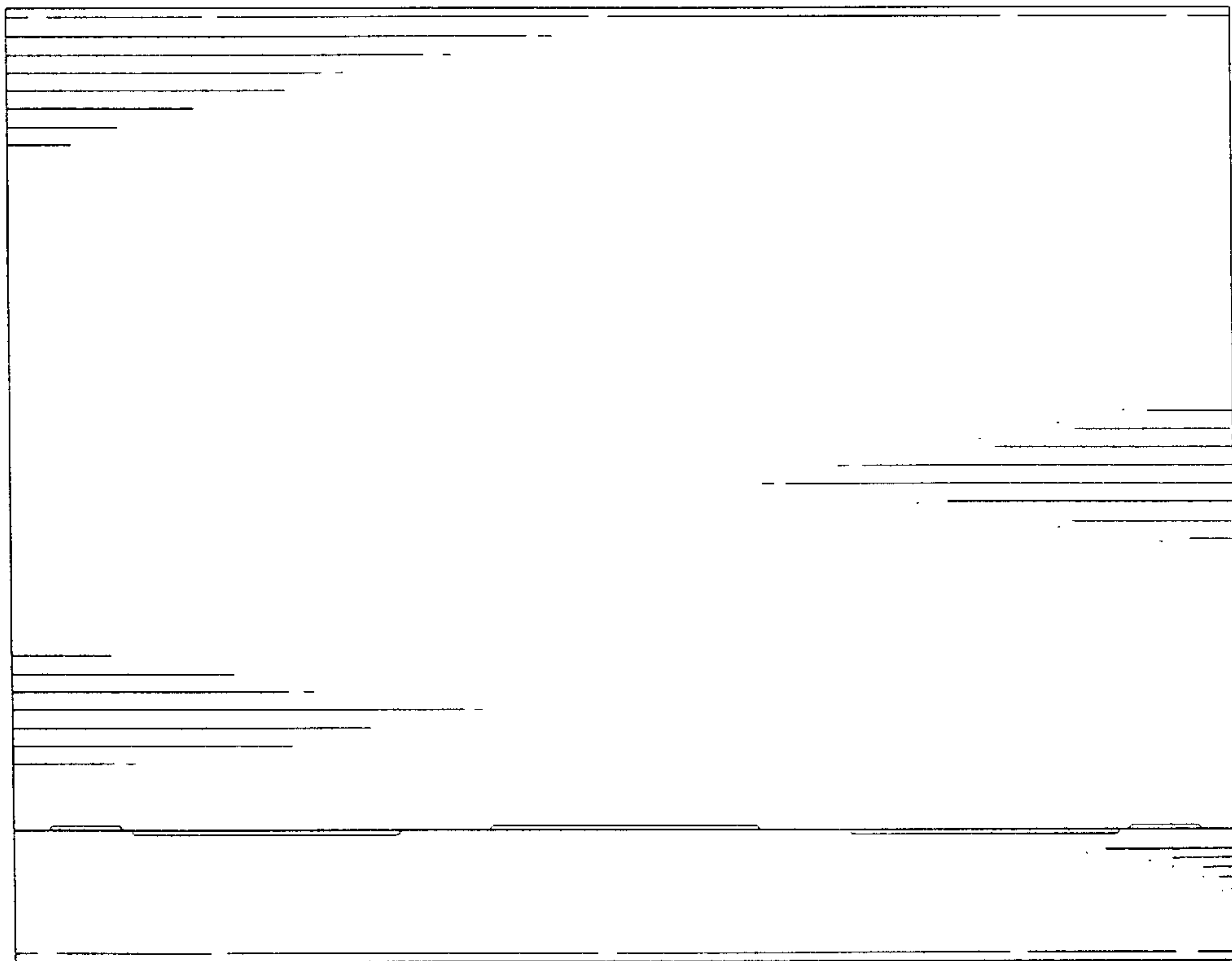


FIG. 6