



US00D484120S

(12) **United States Design Patent**  
**Yin et al.**

(10) **Patent No.:** **US D484,120 S**

(45) **Date of Patent:** **\*\* Dec. 23, 2003**

(54) **WIRELESS UNIVERSAL SERIAL BUS**

D464,958 S \* 10/2002 Coker et al. .... D14/240  
D470,839 S \* 2/2003 Tuhkanen .... D14/240

(75) Inventors: **Chun-Hsiung Yin**, Tainan (TW);  
**Fu-Long Hong**, Taipei (TW)

\* cited by examiner

(73) Assignee: **Benq Corporation** (TW)

*Primary Examiner*—Charles A. Rademaker  
(74) *Attorney, Agent, or Firm*—Rabin & Berdo, PC

(\*\*) Term: **14 Years**

(57) **CLAIM**

(21) Appl. No.: **29/162,966**

The ornamental design for a wireless universal serial bus, as shown and described.

(22) Filed: **Jun. 26, 2002**

**DESCRIPTION**

(30) **Foreign Application Priority Data**

Mar. 13, 2002 (TW) ..... 91301076

FIG. 1 is a perspective view of a wireless universal serial bus showing our new design;

(51) **LOC (7) Cl.** ..... **14-03**

FIG. 2 is a front elevational view thereof;

(52) **U.S. Cl.** ..... **D14/240**

FIG. 3 is a left side elevational view thereof;

(58) **Field of Search** ..... D14/240, 217,  
D14/140, 257, 301; D13/184; 333/109,  
110; 379/347, 413.02; 439/717, 74

FIG. 4 is a right side elevational view thereof;

FIG. 5 is a top plain view thereof;

FIG. 6 is a bottom plain view thereof;

FIG. 7 is a rear elevational view thereof;

(56) **References Cited**

FIG. 8 is a front, top and left side isometric view thereof;  
and,

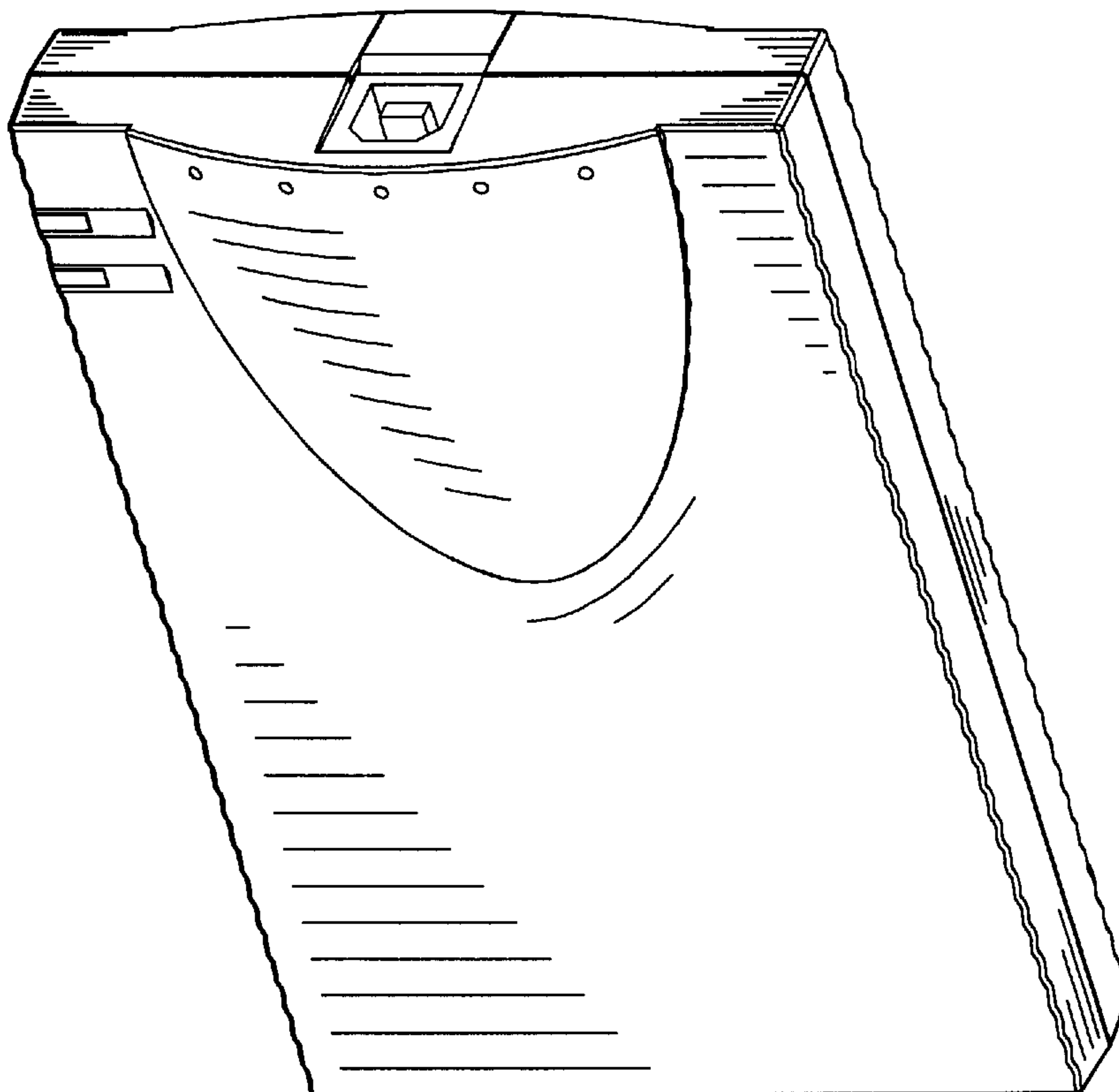
**U.S. PATENT DOCUMENTS**

FIG. 9 is a rear, bottom and left side isometric view thereof.

D424,065 S \* 5/2000 Soo ..... D14/240

D463,416 S \* 9/2002 Tomino et al. .... D14/240

**1 Claim, 9 Drawing Sheets**



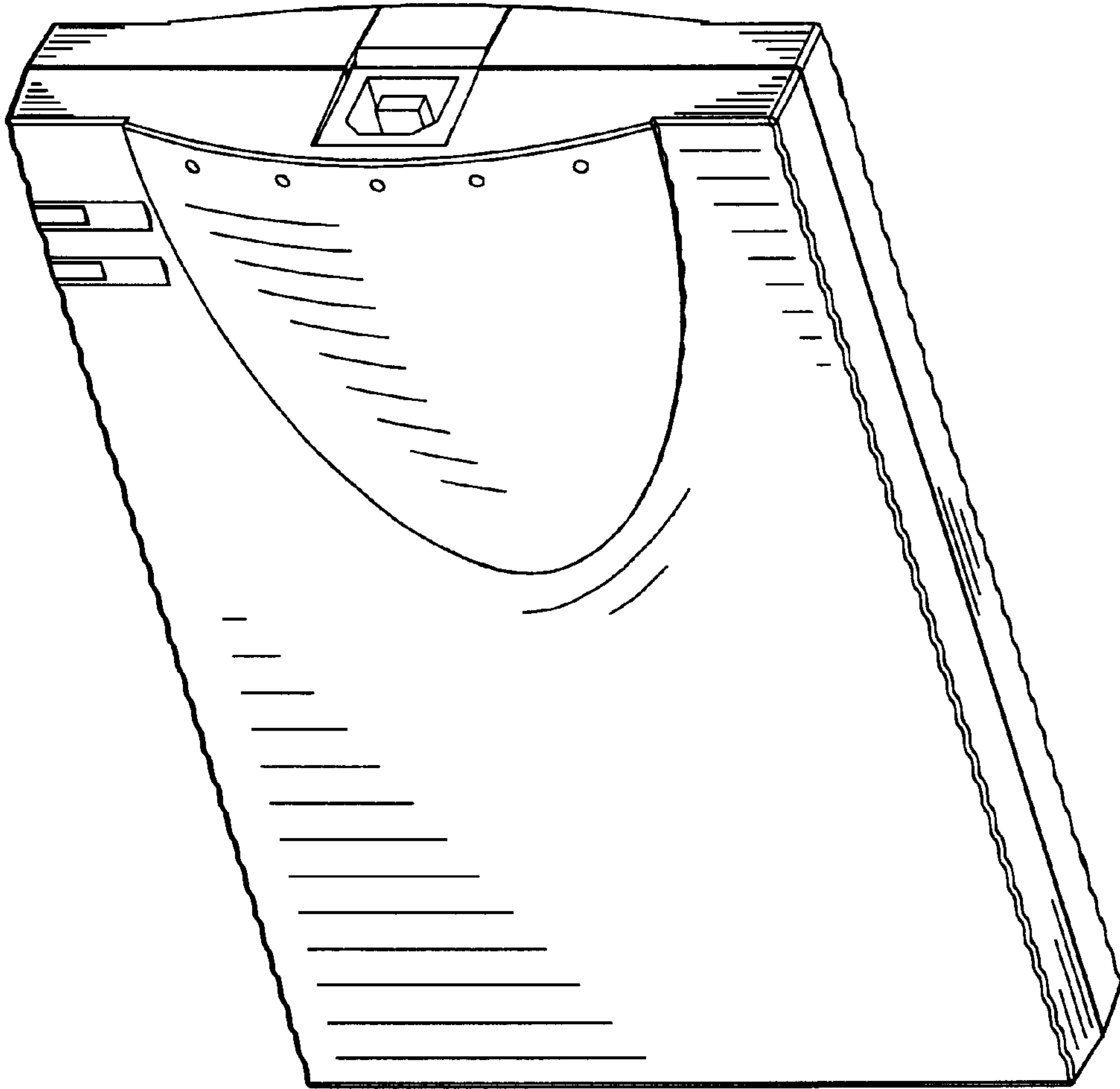


FIG. 1

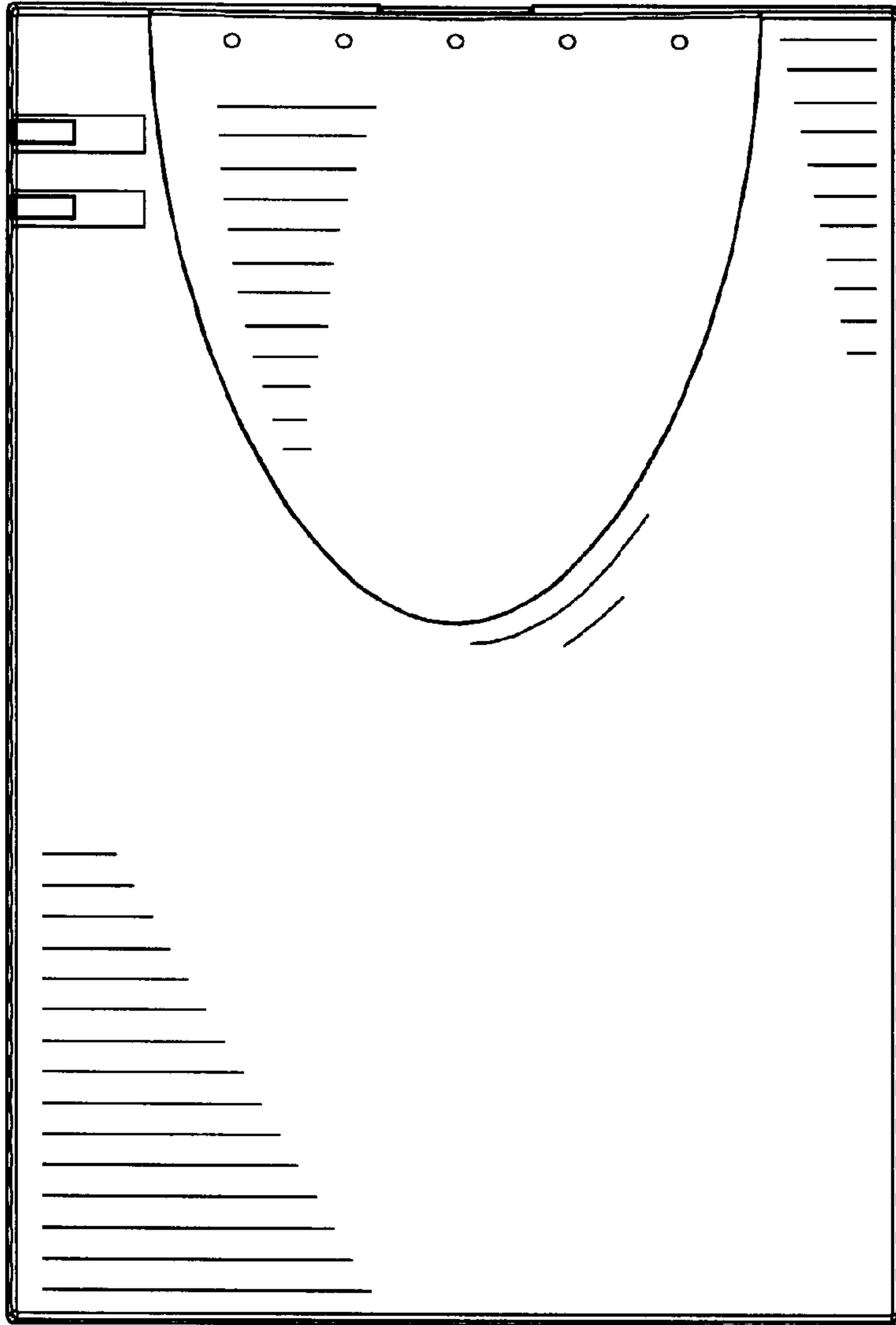


FIG. 2

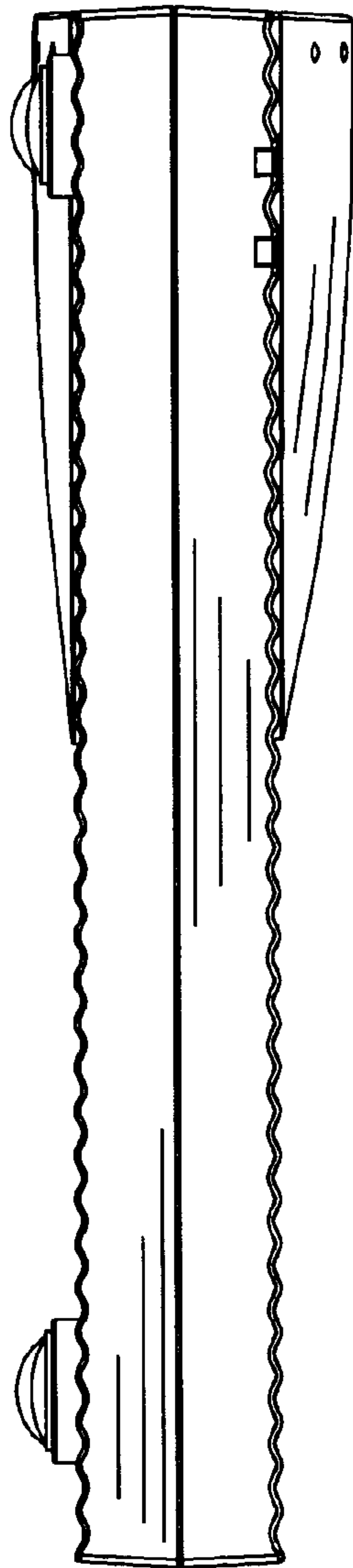


FIG. 3

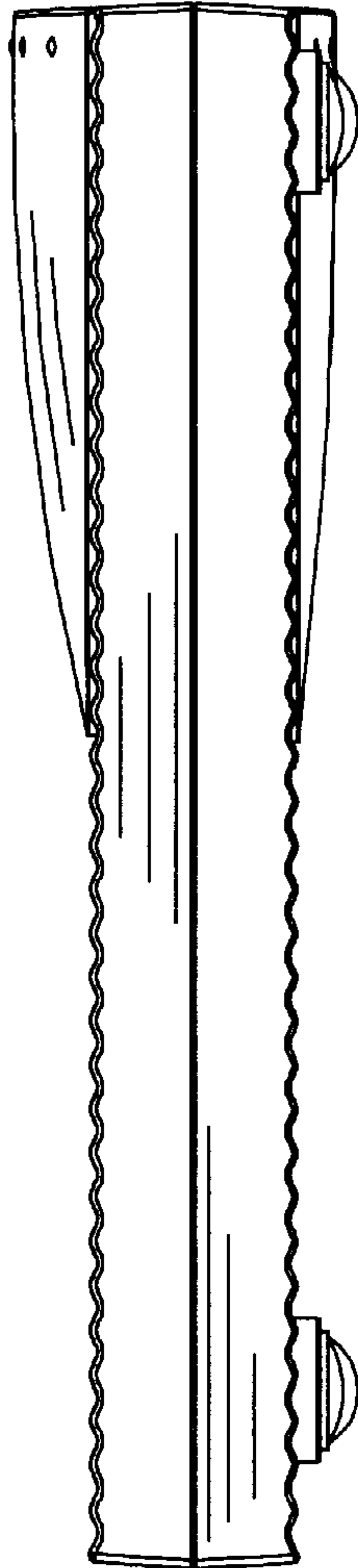


FIG. 4

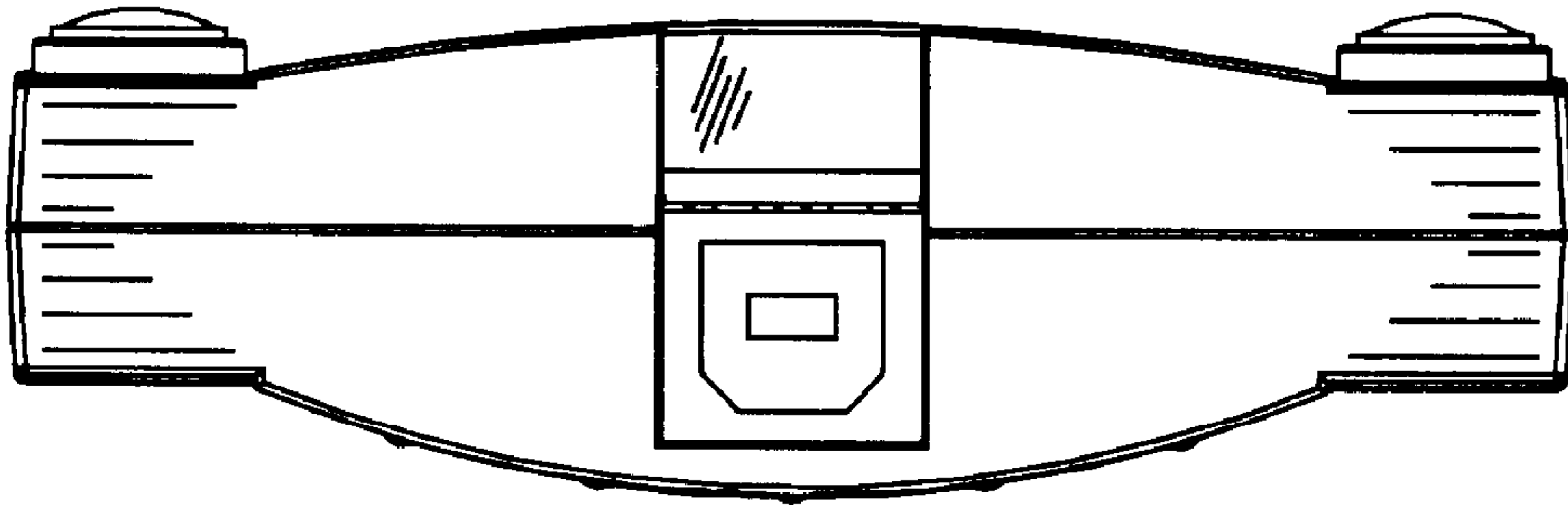


FIG. 5

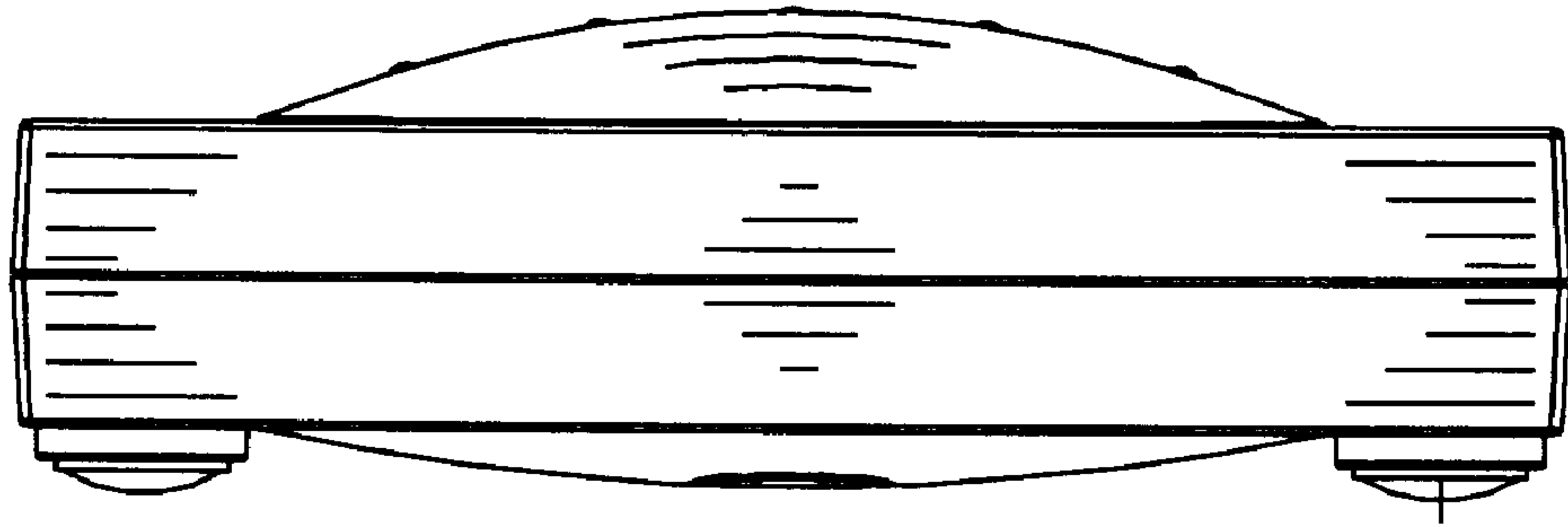


FIG. 6

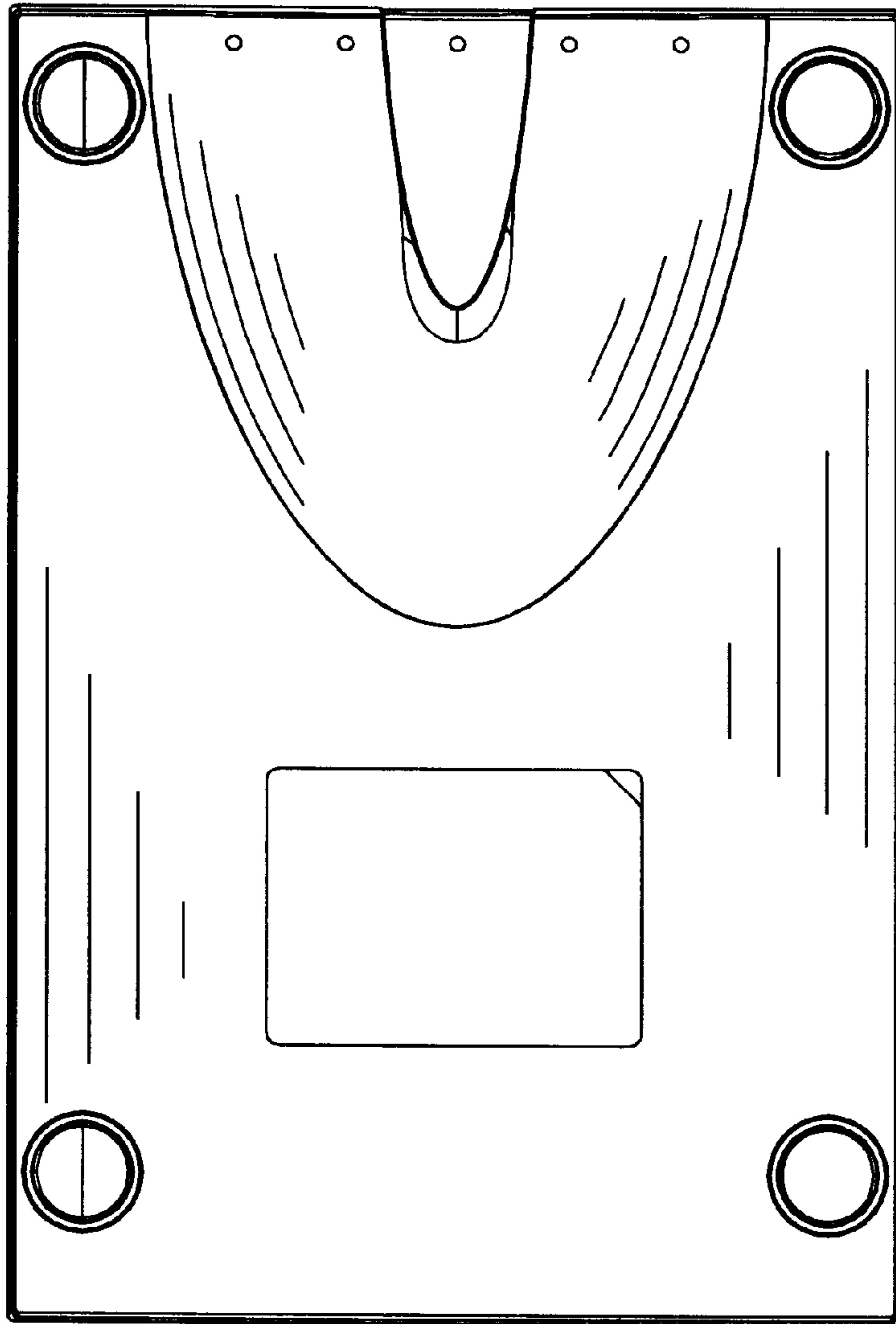


FIG. 7



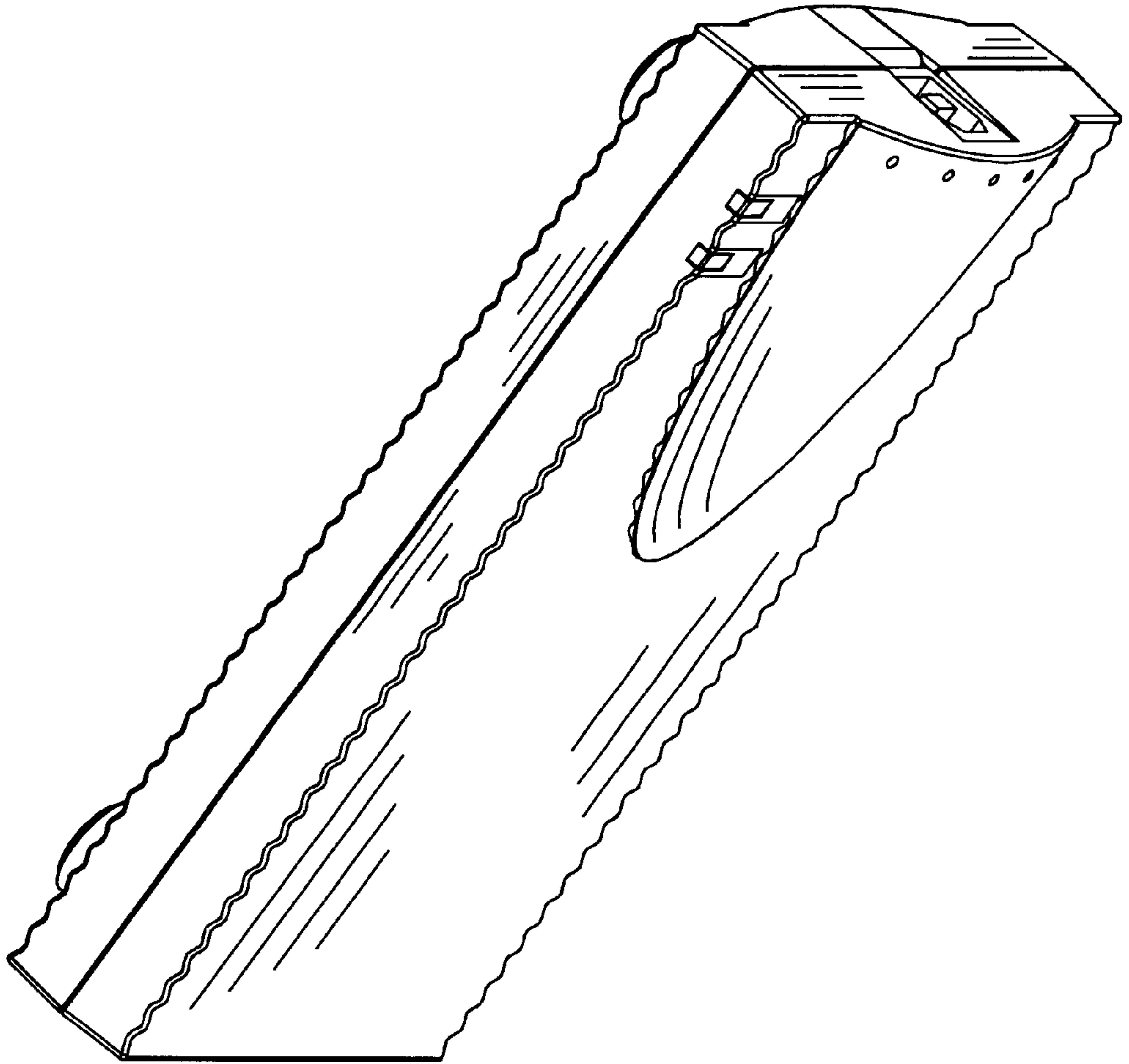


FIG. 8

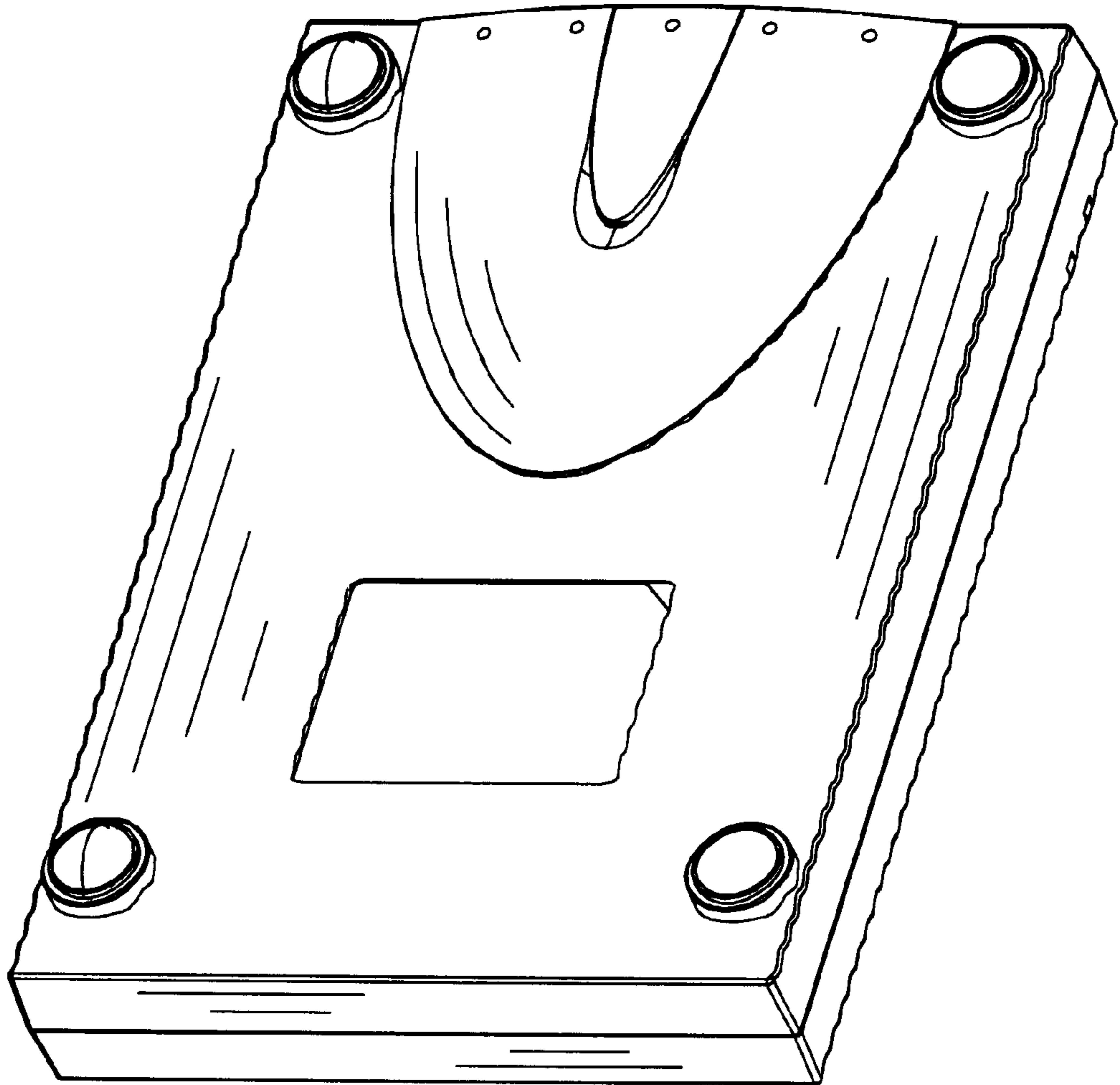


FIG. 9