



US00D484118S

(12) **United States Design Patent**
Miyoshi

(10) **Patent No.:** **US D484,118 S**

(45) **Date of Patent:** **** Dec. 23, 2003**

(54) **LOOP ANTENNA**

6,229,488 B1 * 5/2001 Lin et al. 343/700 MS
6,421,029 B1 * 7/2002 Tanabe 343/895

(75) Inventor: **Akira Miyoshi**, Tokyo (JP)

* cited by examiner

(73) Assignee: **Mitsumi Electric Co., Ltd.**, Tokyo (JP)

Primary Examiner—Louis S. Zarfes

(**) Term: **14 Years**

Assistant Examiner—Deanne Levy

(74) *Attorney, Agent, or Firm*—Sughrue Mion, PLLC

(21) Appl. No.: **29/172,849**

(57) **CLAIM**

(22) Filed: **Dec. 19, 2002**

The ornamental design for a loop antenna, as shown and described.

(30) **Foreign Application Priority Data**

Jun. 20, 2002 (JP) 2002-016613

DESCRIPTION

(51) **LOC (7) Cl.** **14-03**

FIG. 1 is a perspective view of the top, front and right side of a loop antenna showing my new design;

(52) **U.S. Cl.** **D14/233**

FIG. 2 is a front elevational view, the rear elevational view being identical thereof;

(58) **Field of Search** D14/230, 233,
D14/238, 299; 343/895, 700 MS, 725, 741-744,
866, 867, 853, 855, 729, 728, 726

FIG. 3 is a right side elevational view, the left side elevational view being identical thereof;

(56) **References Cited**

FIG. 4 is a top plan view thereof; and,

U.S. PATENT DOCUMENTS

FIG. 5 is a bottom plan view thereof.

5,134,422 A * 7/1992 Auriol 343/895

The broken line showing of environmental structure is for illustrative purposes only and forms no part of the claimed design.

5,678,201 A * 10/1997 Thill 343/895

5,828,348 A * 10/1998 Tassoudji et al. 343/895

6,005,521 A * 12/1999 Suguro et al. 343/700 MS

1 Claim, 2 Drawing Sheets

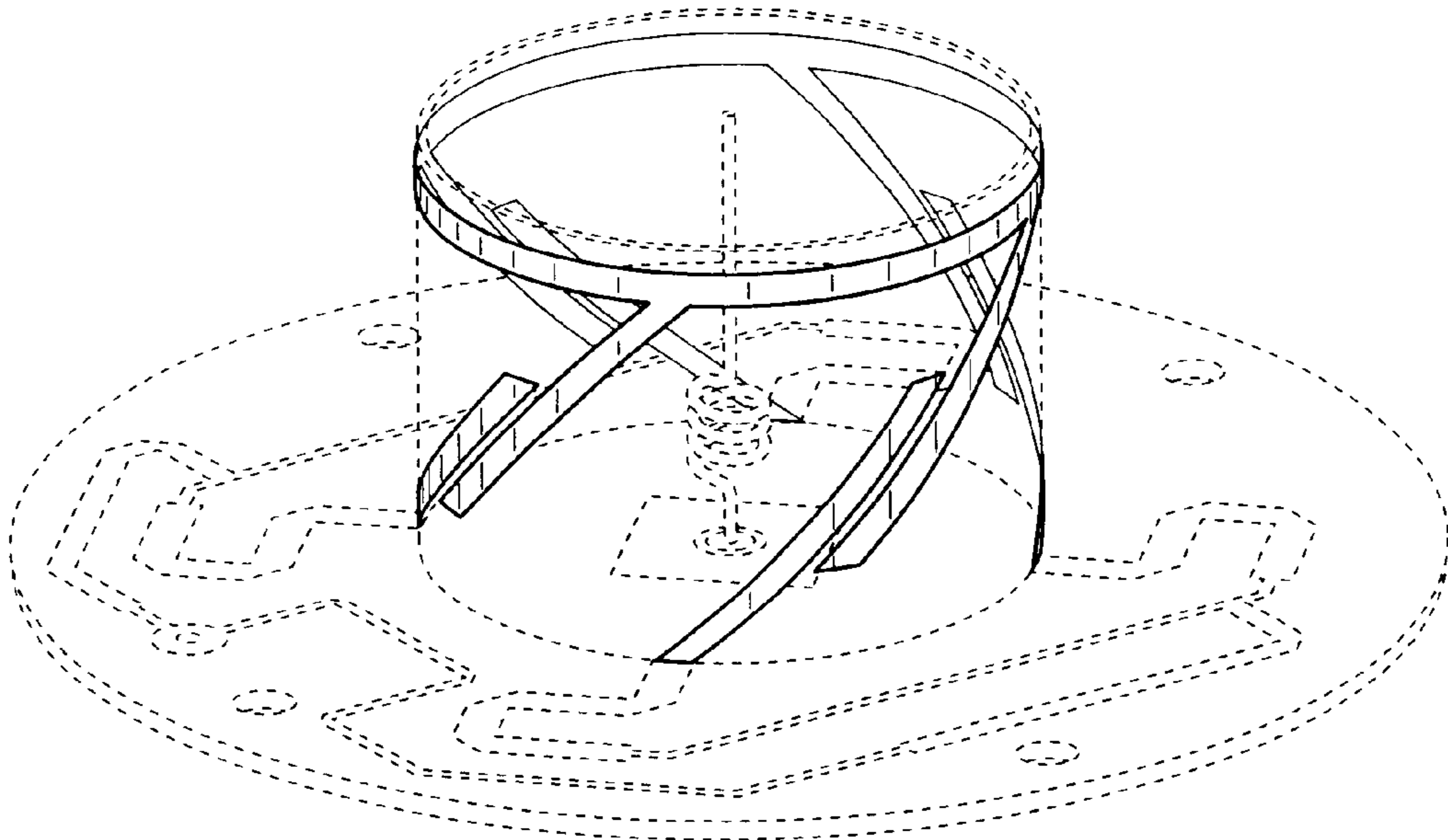


FIG. 1

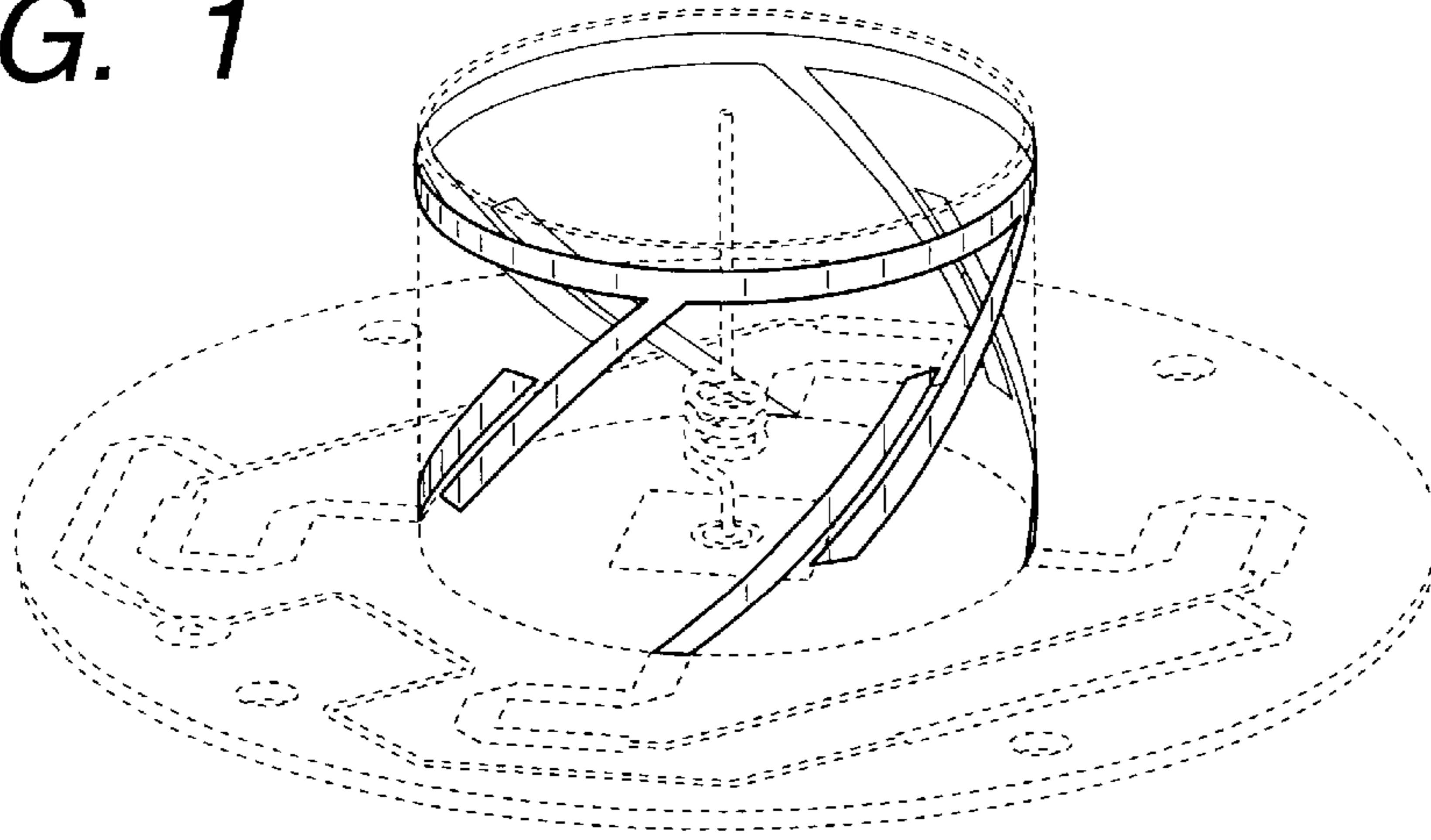


FIG. 2

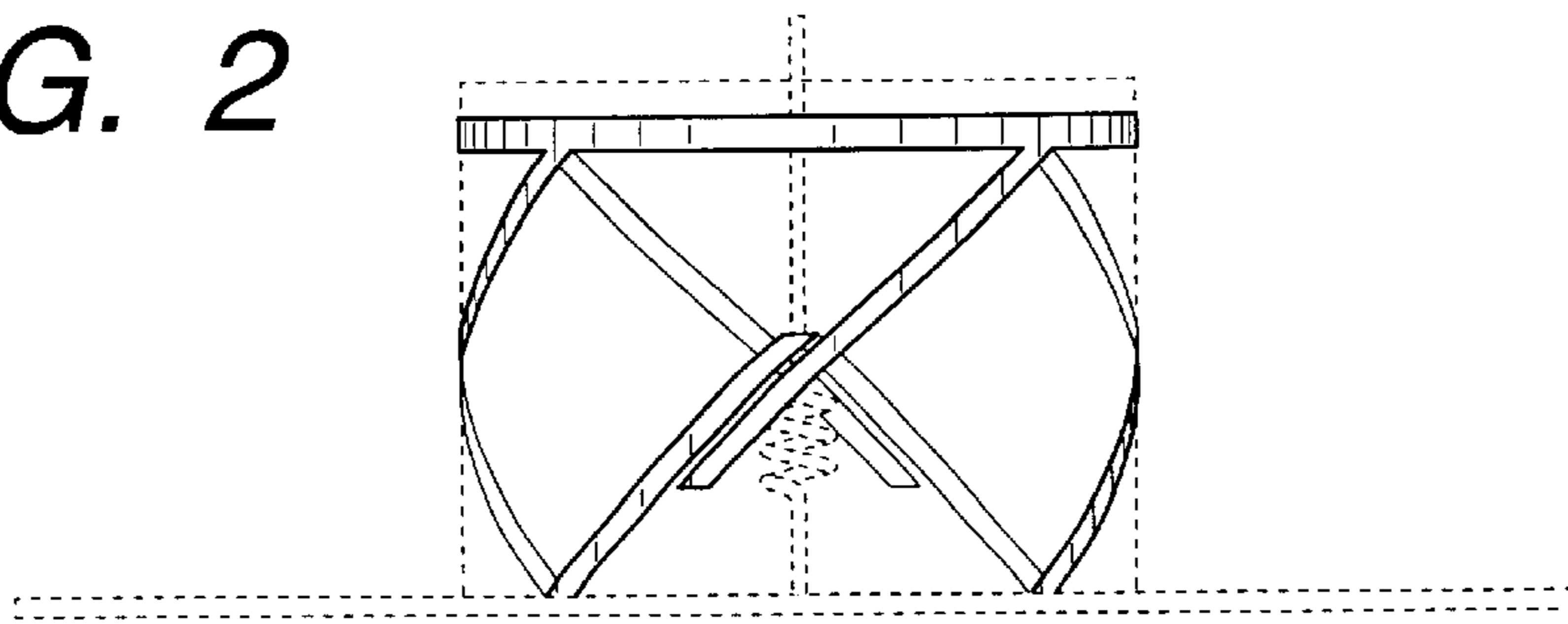


FIG. 3

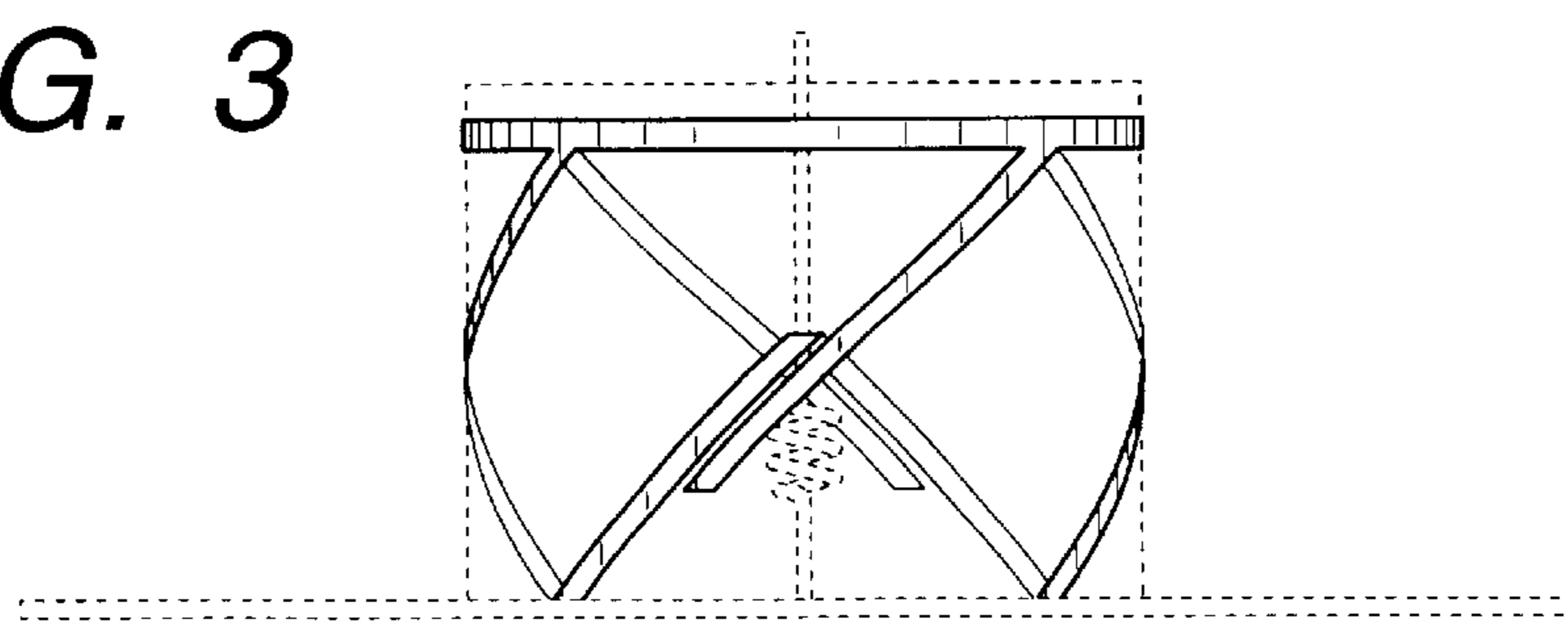


FIG. 4

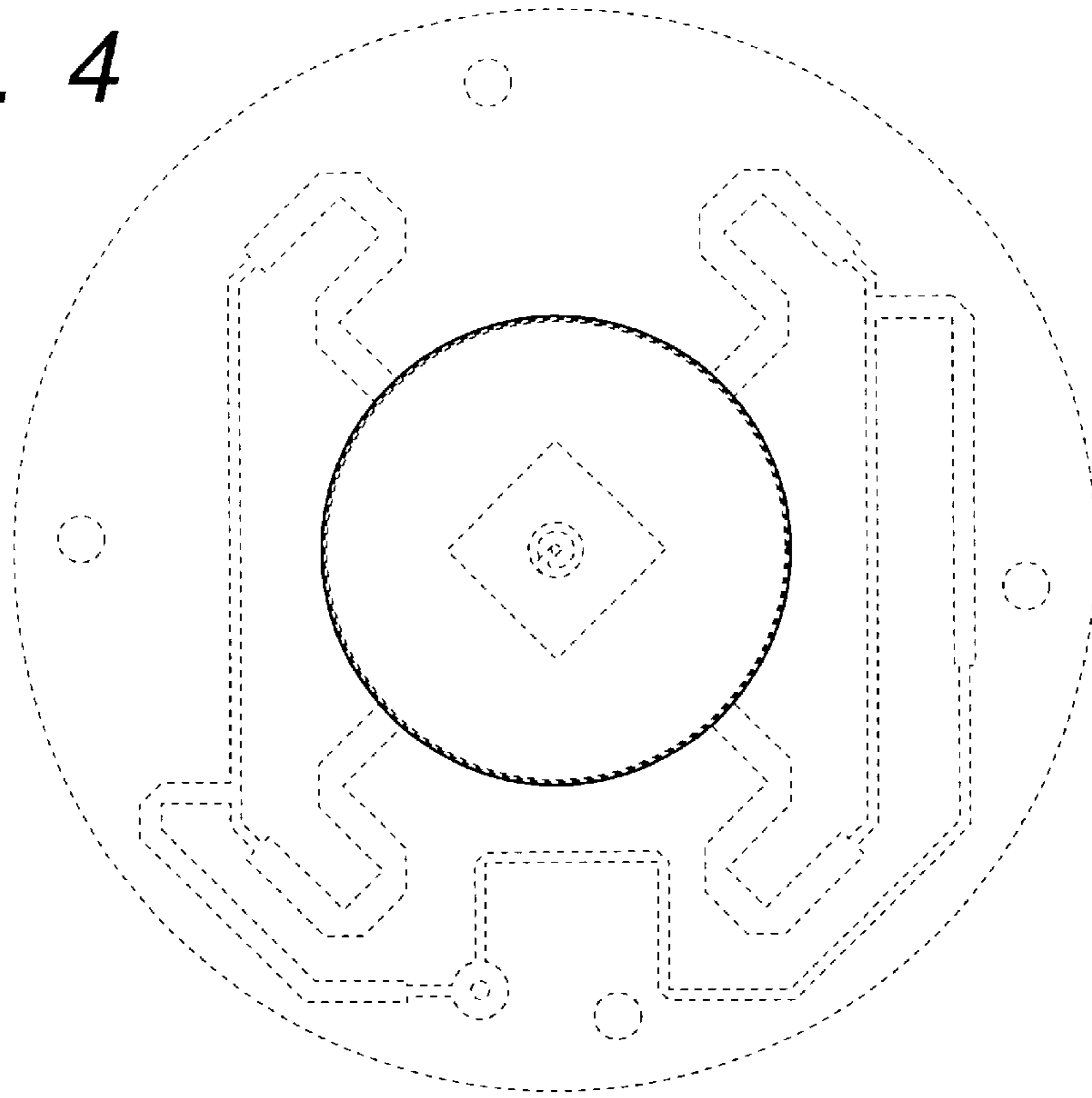


FIG. 5

