



US00D484114S

(12) **United States Design Patent**
Gansterer

(10) **Patent No.:** **US D484,114 S**

(45) **Date of Patent:** **** Dec. 23, 2003**

(54) **LOUDSPEAKER**

(76) Inventor: **Peter Gansterer**, Lehnergasse 15,
A-1230 Wien (AT)

(**) Term: **14 Years**

(21) Appl. No.: **29/163,021**

(22) Filed: **Jun. 25, 2002**

(51) **LOC (7) Cl.** **14-01**

(52) **U.S. Cl.** **D14/215; D14/216**

(58) **Field of Search** D14/204, 207,
D14/209-216, 356; 181/143-145, 147-148,
150, 153, 157, 198-199; 381/300-302,
306, 333, 345, 361-364, 386-388

(56) **References Cited**

U.S. PATENT DOCUMENTS

4,349,084 A	*	9/1982	Karpodines	181/146
D401,241 S	*	11/1998	Runquist et al.	D14/215
D448,753 S	*	10/2001	Masui	D14/214
D452,855 S	*	1/2002	Ota	D14/214
D457,875 S	*	5/2002	Joe	D14/211
D463,392 S	*	9/2002	Khadivar	D14/214

* cited by examiner

Primary Examiner—Nanda Bondade

(74) *Attorney, Agent, or Firm*—Lerner A. Greenberg;
Werner H. Stemer; Gregory L. Mayback

(57) **CLAIM**

The ornamental design for a loudspeaker, as shown and described.

DESCRIPTION

FIG. 1 is a front top perspective view of a loudspeaker showing my design;

FIG. 2 is a front elevational view thereof;

FIG. 3 is a left side elevational view thereof;

FIG. 4 is a right side elevational view thereof;

FIG. 5 is a top plan view thereof;

FIG. 6 is a front top perspective view of a second embodiment of FIG. 1;

FIG. 7 is a front elevational view thereof;

FIG. 8 is a left side elevational view thereof;

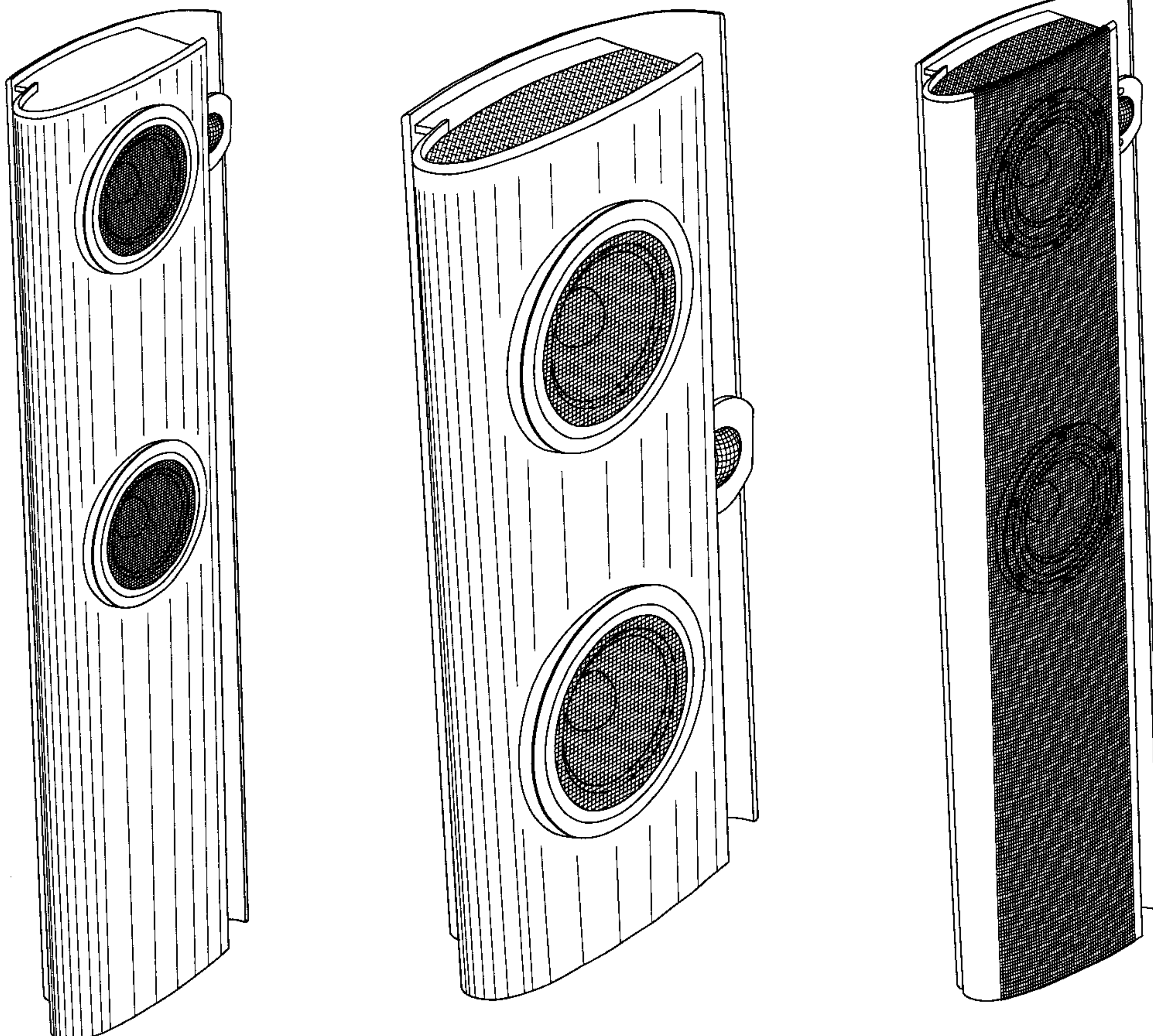
FIG. 9 is a right side elevational view thereof;

FIG. 10 is a front elevational view of a third embodiment of FIG. 1; and,

FIG. 11 is a front top perspective view thereof.

The top view shown in FIG. 5 is representative of all three embodiments and the bottom view is identical to the top view. The undisclosed rear view is not being claimed.

1 Claim, 7 Drawing Sheets



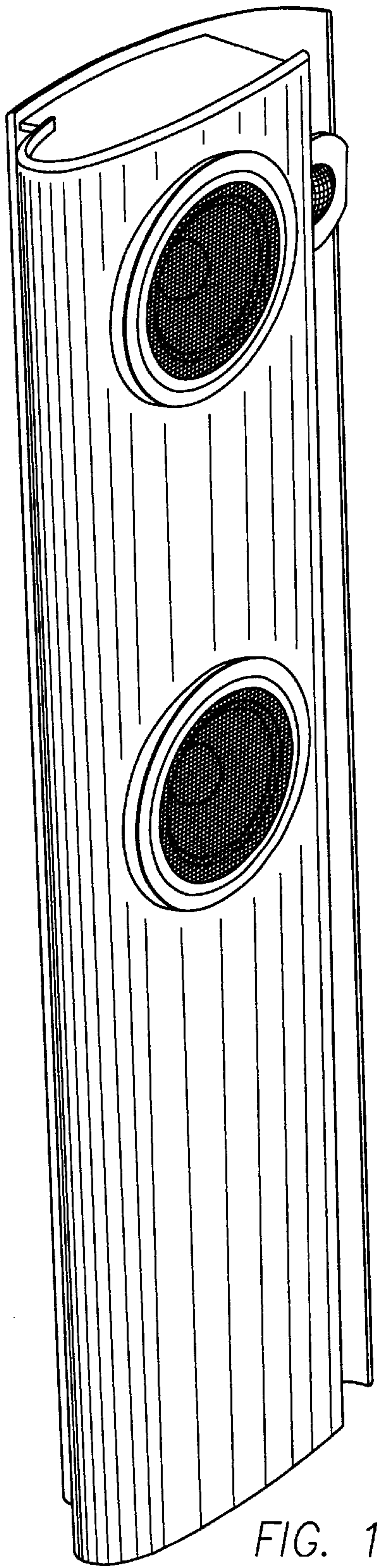


FIG. 1

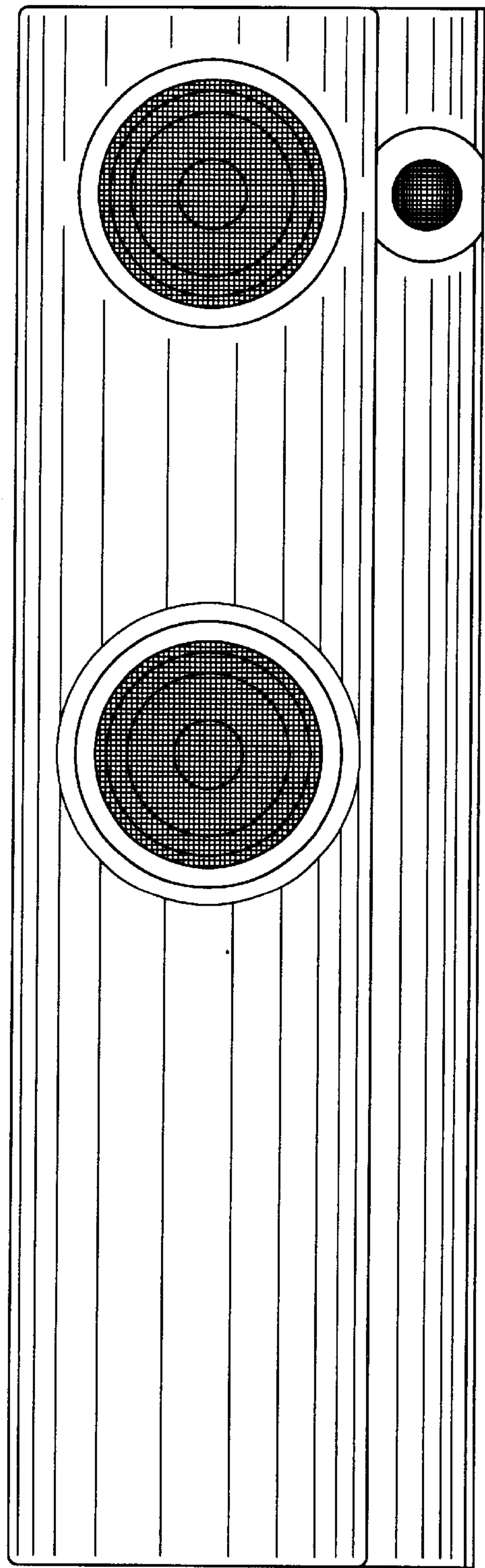


FIG. 2



FIG. 3

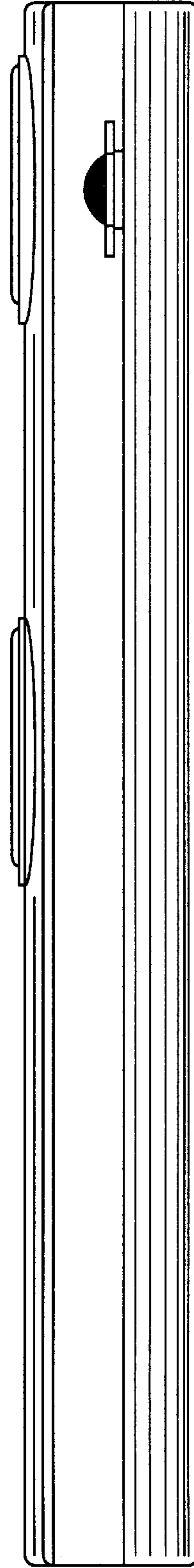


FIG. 4

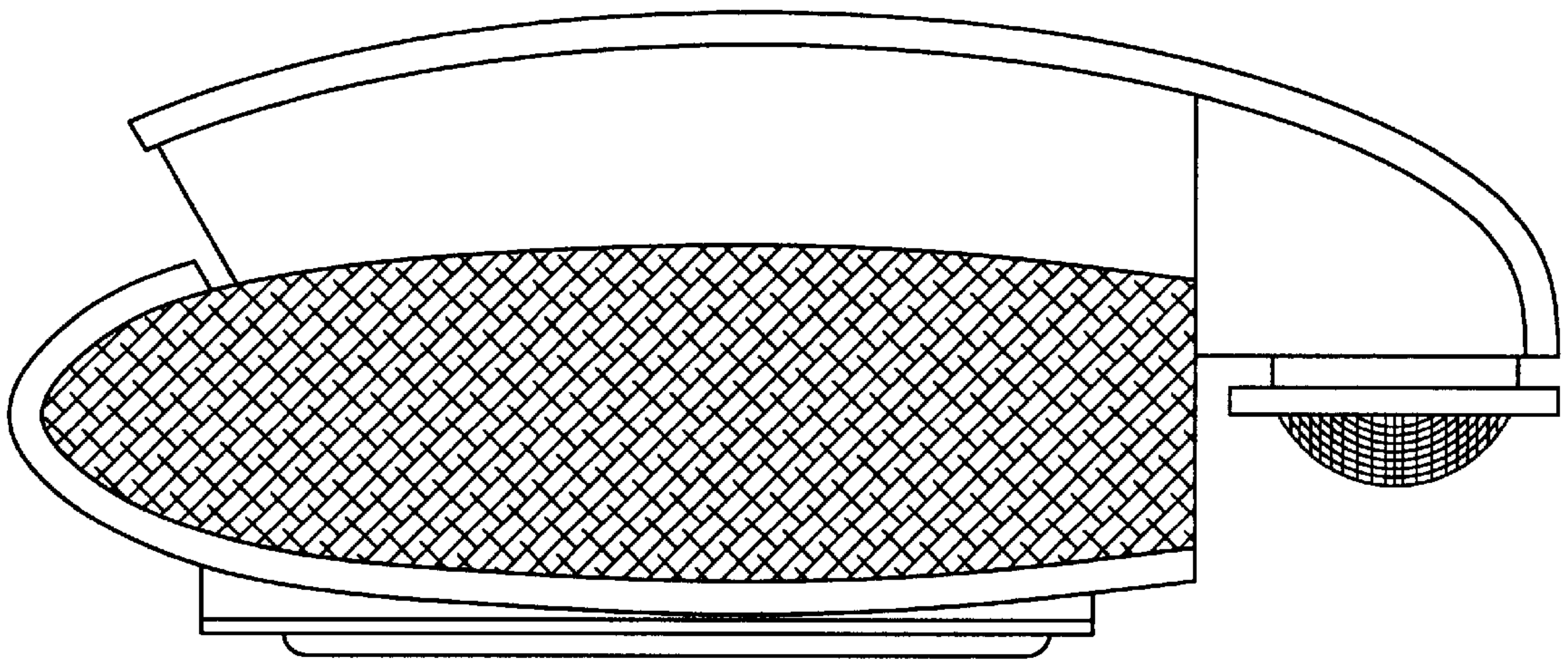


FIG. 5

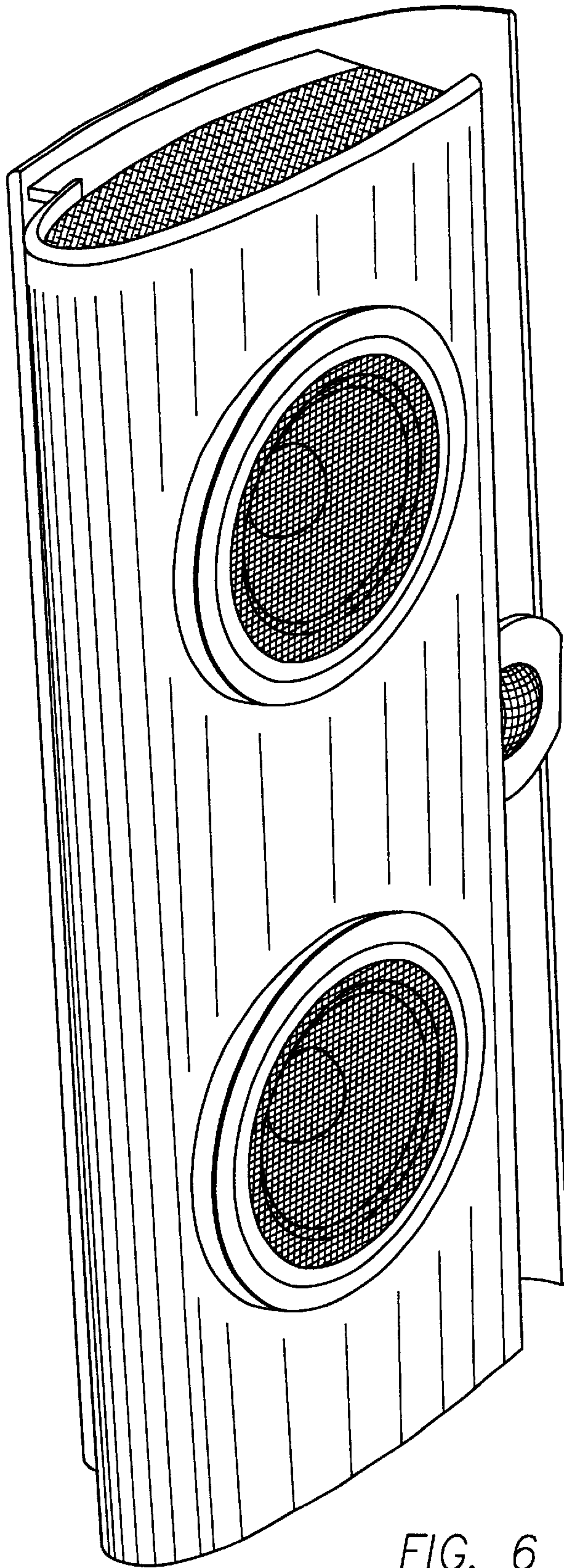


FIG. 6

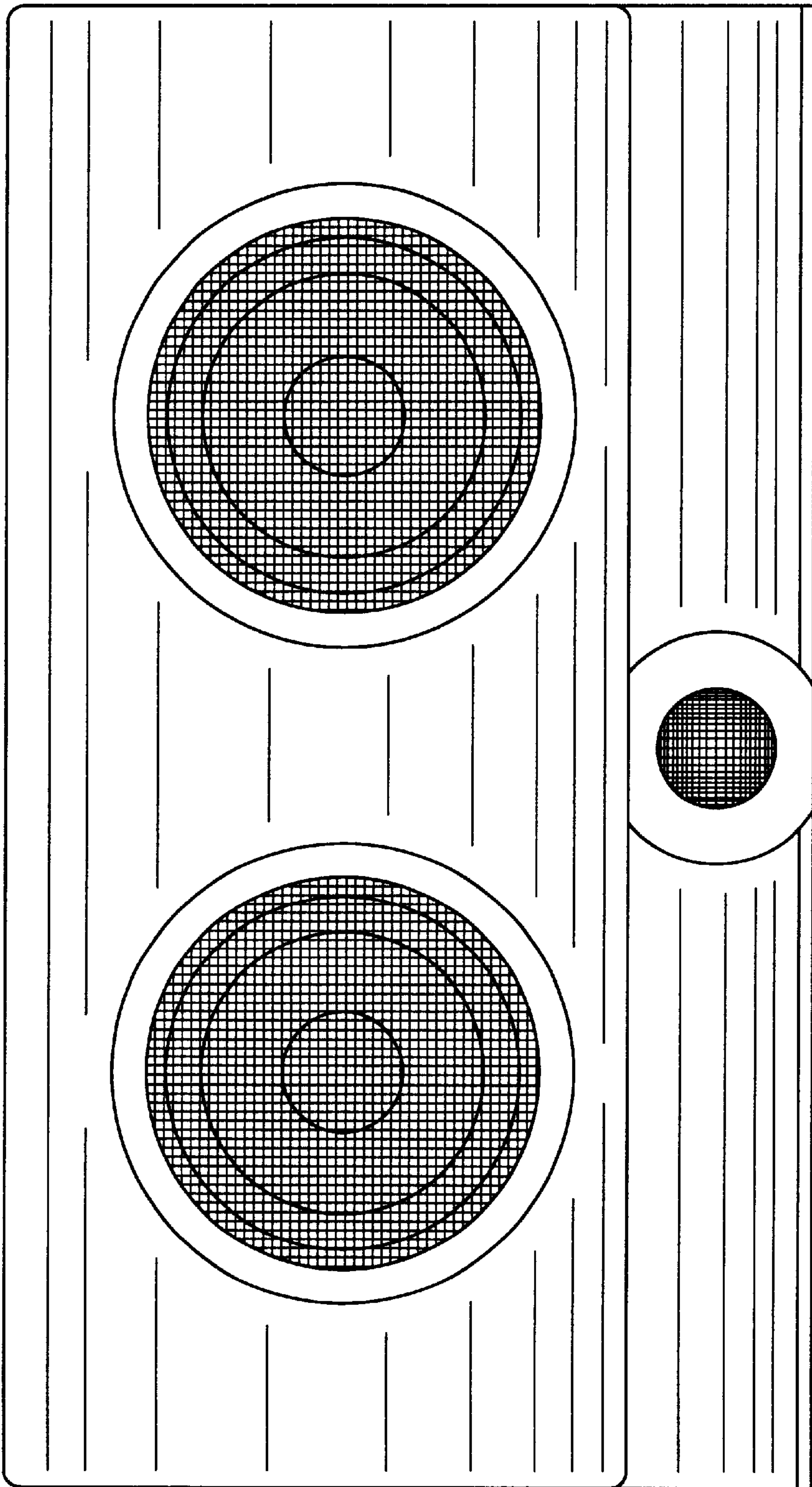


FIG. 7

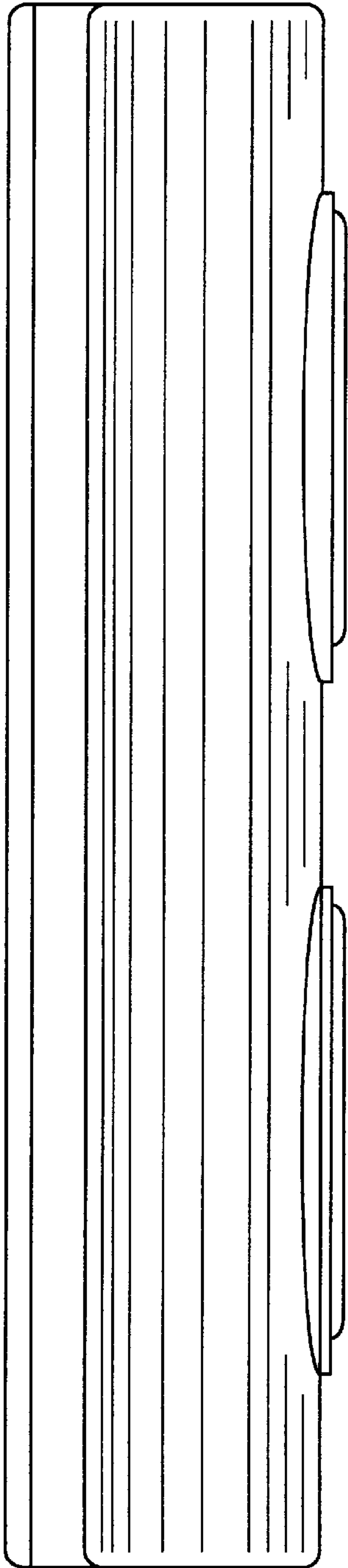


FIG. 8

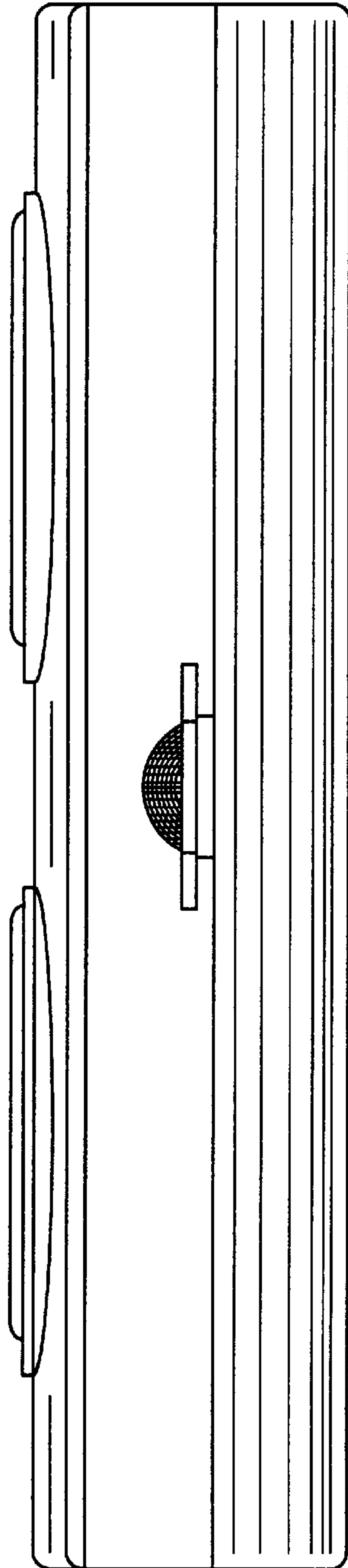


FIG. 9

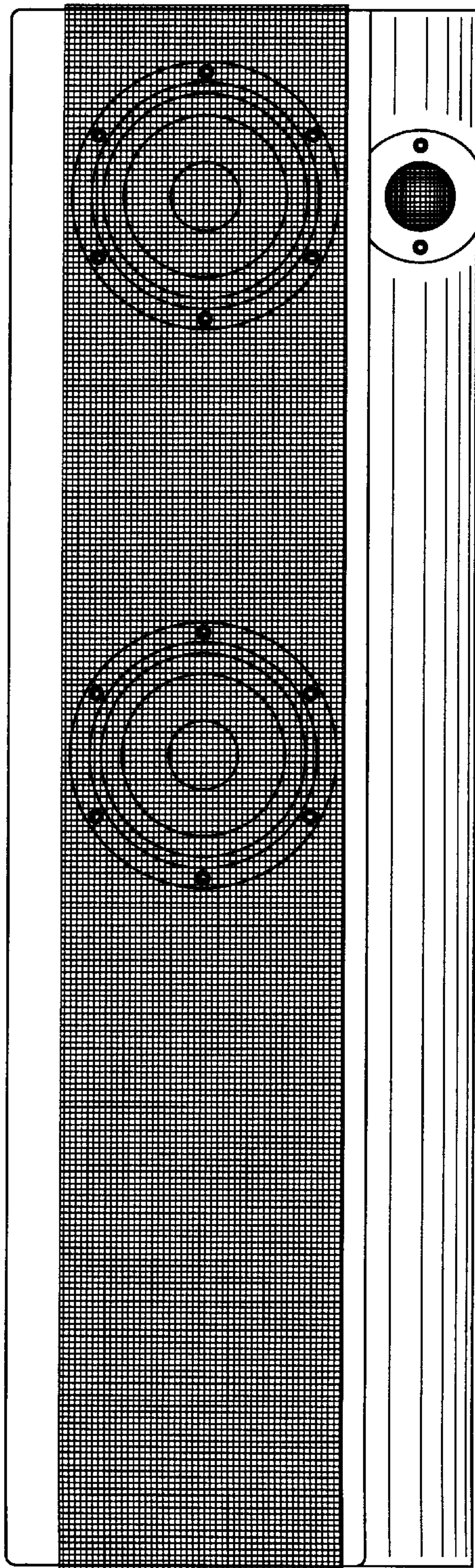


FIG. 10

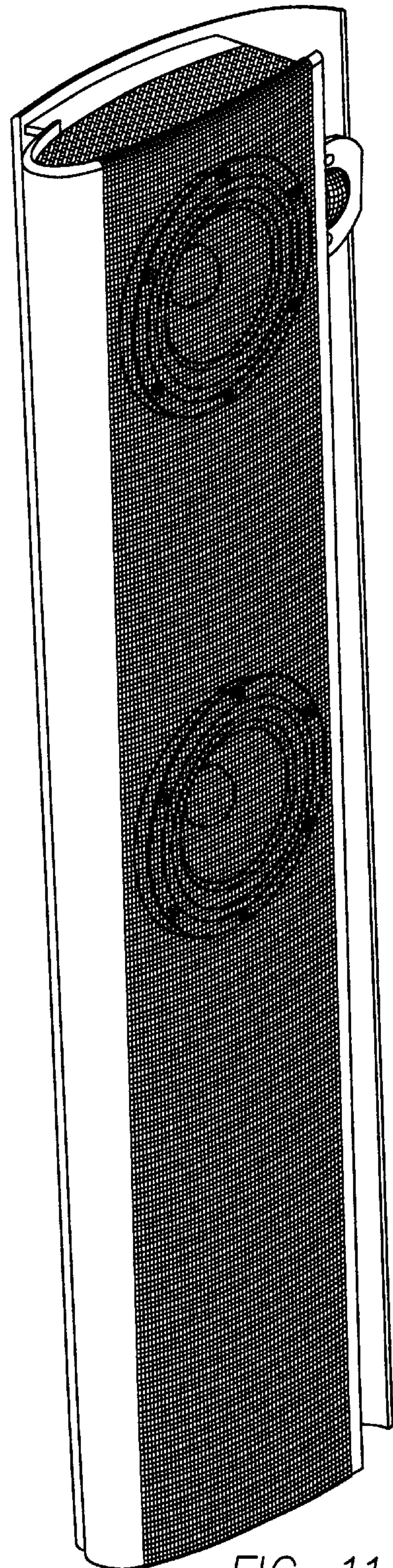


FIG. 11