



US00D484110S

(12) **United States Design Patent**
Mori

(10) **Patent No.:** **US D484,110 S**

(45) **Date of Patent:** **** Dec. 23, 2003**

(54) **COMBINED RADIO RECEIVER AND DISC PLAYER**

(75) Inventor: **Akinari Mori**, Tokyo (JP)

(73) Assignee: **Sony Corporation**, Tokyo (JP)

(**) Term: **14 Years**

(21) Appl. No.: **29/155,631**

(22) Filed: **Feb. 15, 2002**

(51) **LOC (7) Cl.** **14-01**

(52) **U.S. Cl.** **D14/168**

(58) **Field of Search** D14/135-136,
D14/156-157, 160-165, 167-168, 171,
188, 193-198; 369/75.1, 75.2, 77.1, 77.2;
381/86, 120; 455/344, 346-351

Web page, "Under Cabinet Kitchen CD Clock Radio",
http://www.sel.sony.com/SEL/consumer/ss...etravelclock-radio/icf-cd533_specs.shtml, 1 sheet, Sony Corporation (Dec. 2001).

* cited by examiner

Primary Examiner—Nanda Bondade

(74) *Attorney, Agent, or Firm*—Rader, Fishman & Grauer PLLC

(57) **CLAIM**

The ornamental design for a combined radio receiver and disc player, as shown and described.

(56) **References Cited**

U.S. PATENT DOCUMENTS

D356,082 S	*	3/1995	Ogawa et al.	D14/135
D356,083 S	*	3/1995	Ogawa et al.	D14/135
5,859,828 A	*	1/1999	Ishibashi	369/75.1
D414,770 S	*	10/1999	Wetherell et al.	D14/198
D422,998 S	*	4/2000	Negishi et al.	D14/136
D423,008 S	*	4/2000	Shintani	D14/168
D431,542 S	*	10/2000	Takahashi	D14/156
D446,194 S	*	8/2001	Yamazaki et al.	D14/135
D452,490 S		12/2001	Shintani		

OTHER PUBLICATIONS

Catalog 98 "MDLP MD MZ- E501," p. 90 Sony Corporation (Jul. 2001).

Web page, "Under Cabinet Kitchen CD Clock Radio",
http://www.sel.sony.com/SEL/consumer/ss...etravelclock-radio/icf-cd513_specs.shtml, 1 sheet, Sony Corporation (Dec. 2001).

DESCRIPTION

FIG. 1 is a perspective view of a combined radio receiver and disc player showing my new design;

FIG. 2 is a front elevational view thereof;

FIG. 3 is a rear elevational view thereof;

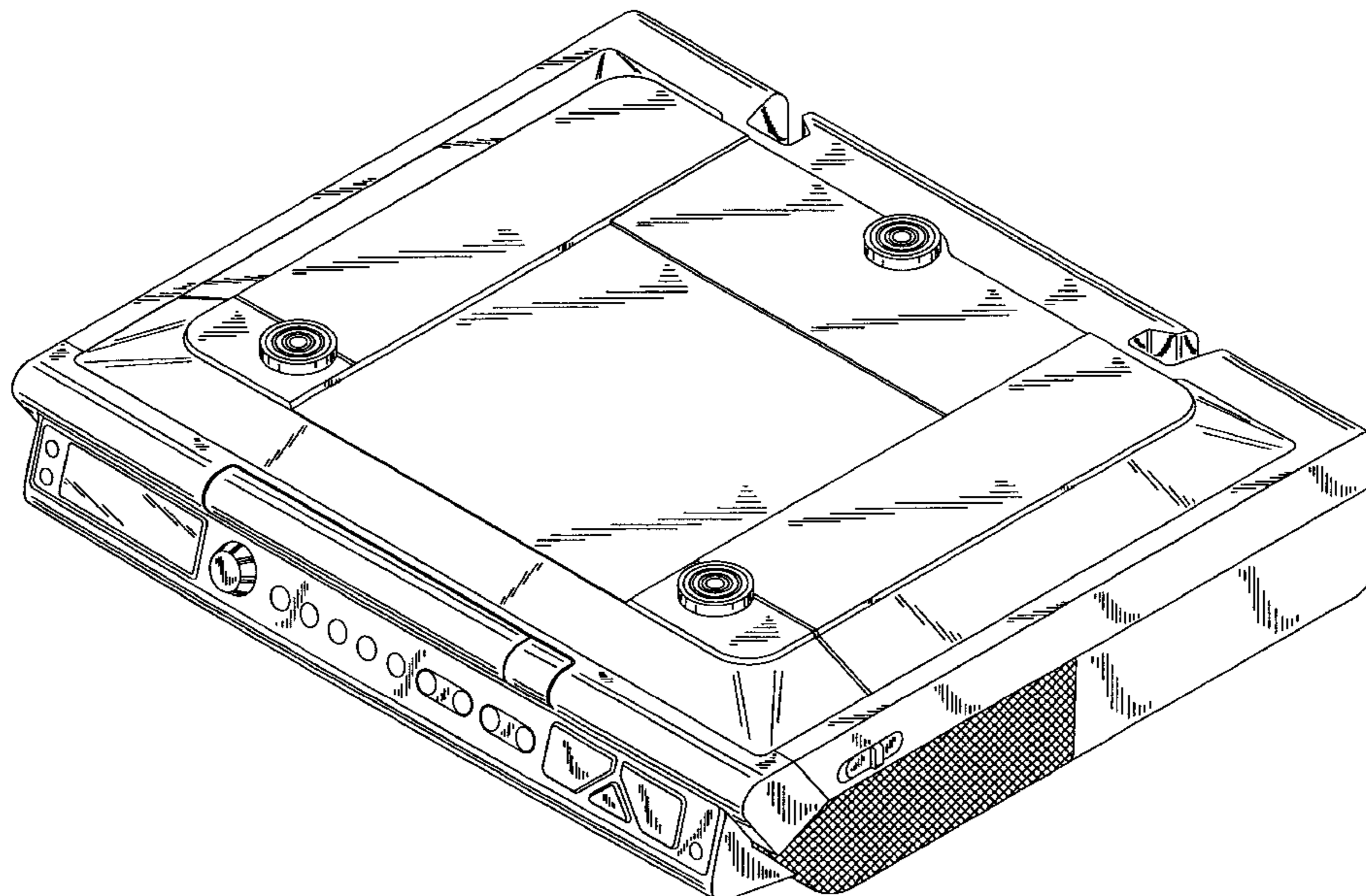
FIG. 4 is a left side elevational view thereof;

FIG. 5 is a right side elevational view thereof;

FIG. 6 is a top plan view thereof; and,

FIG. 7 is a bottom plan view thereof.

1 Claim, 4 Drawing Sheets



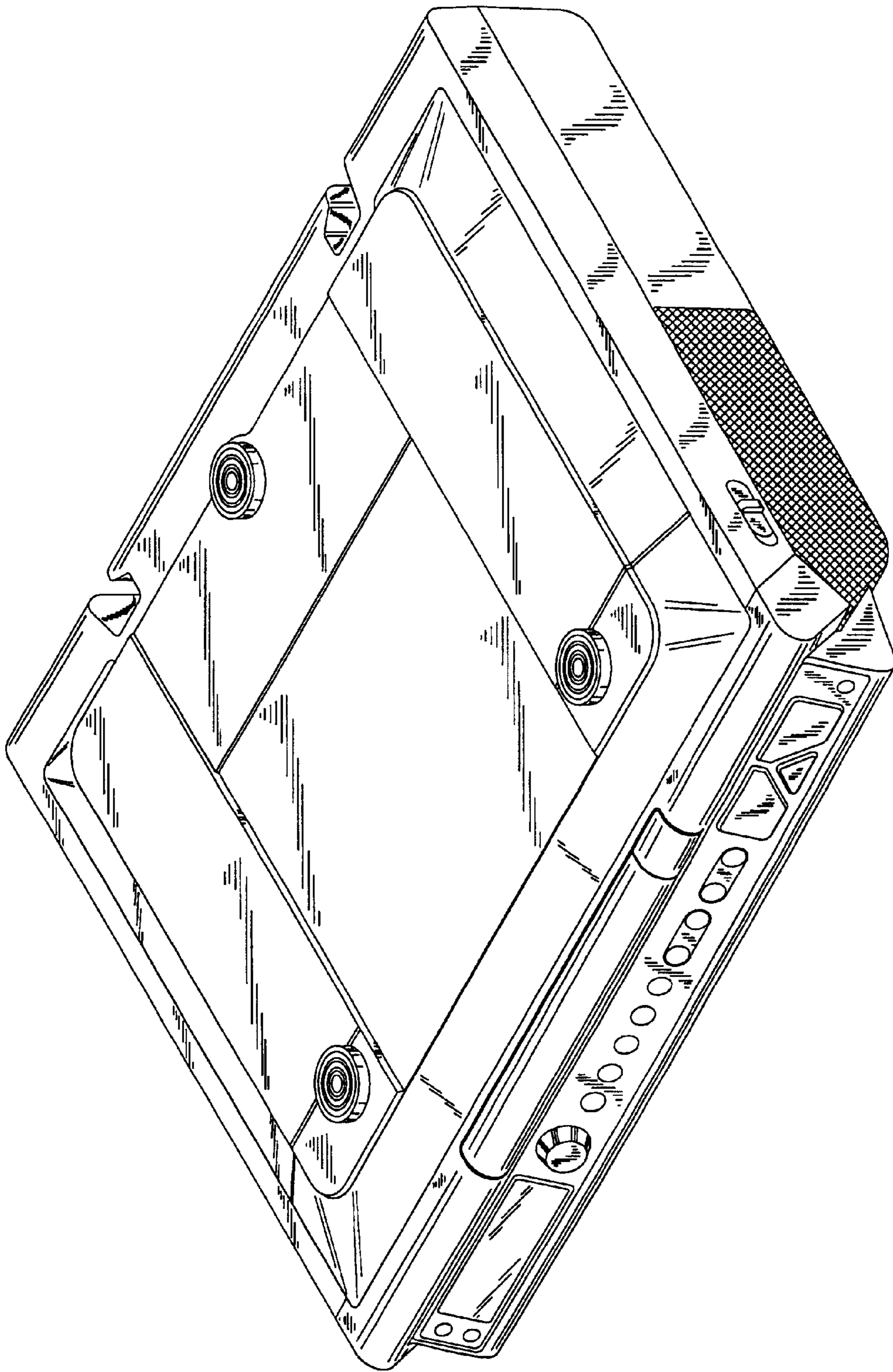


Fig. 1

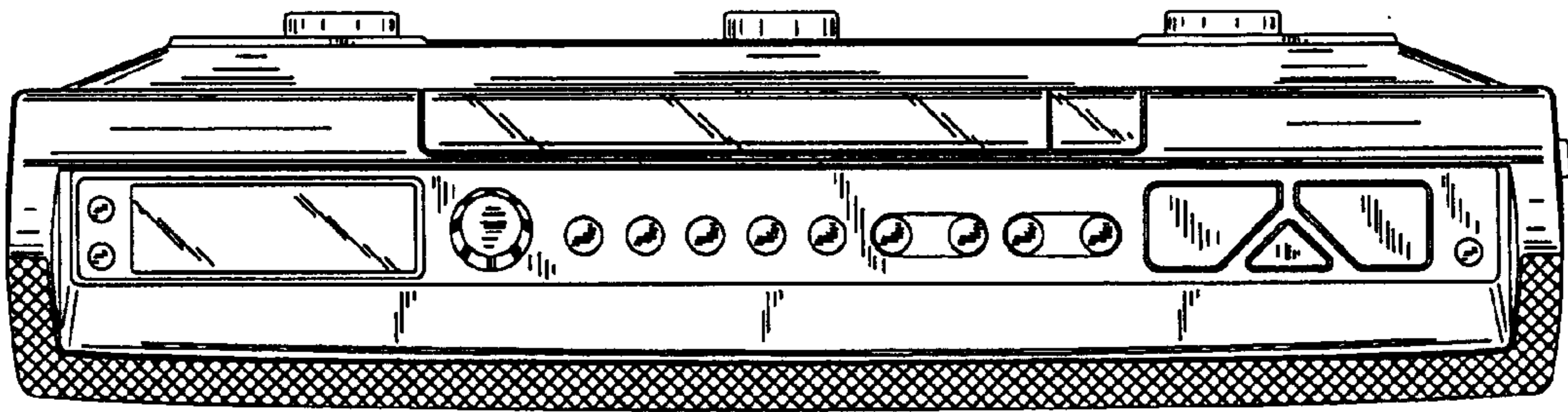


Fig. 2

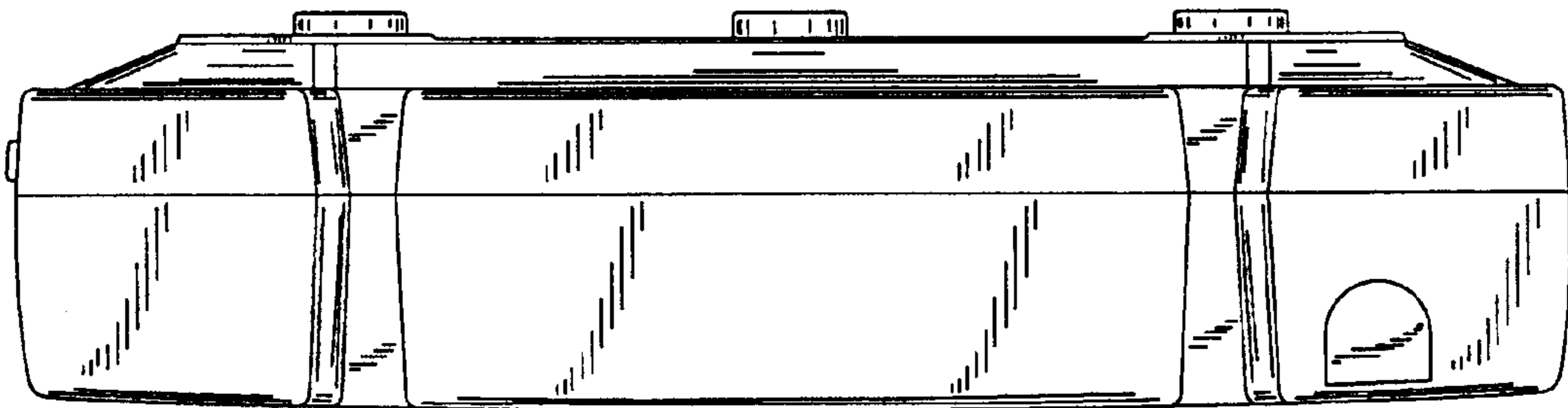


Fig. 3

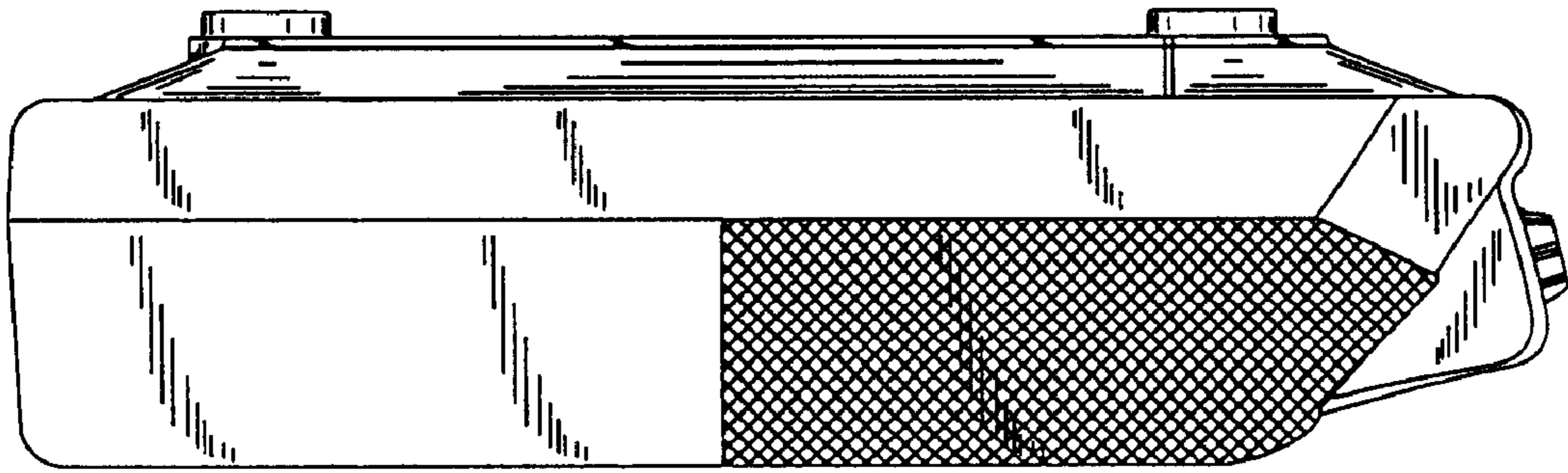


Fig. 4

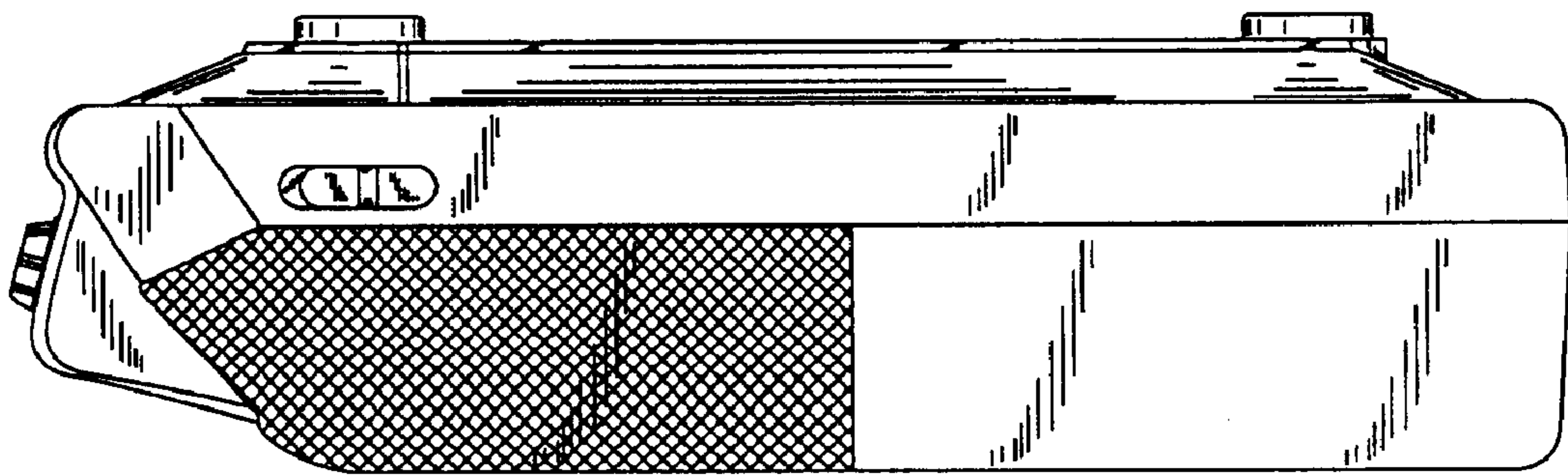


Fig. 5

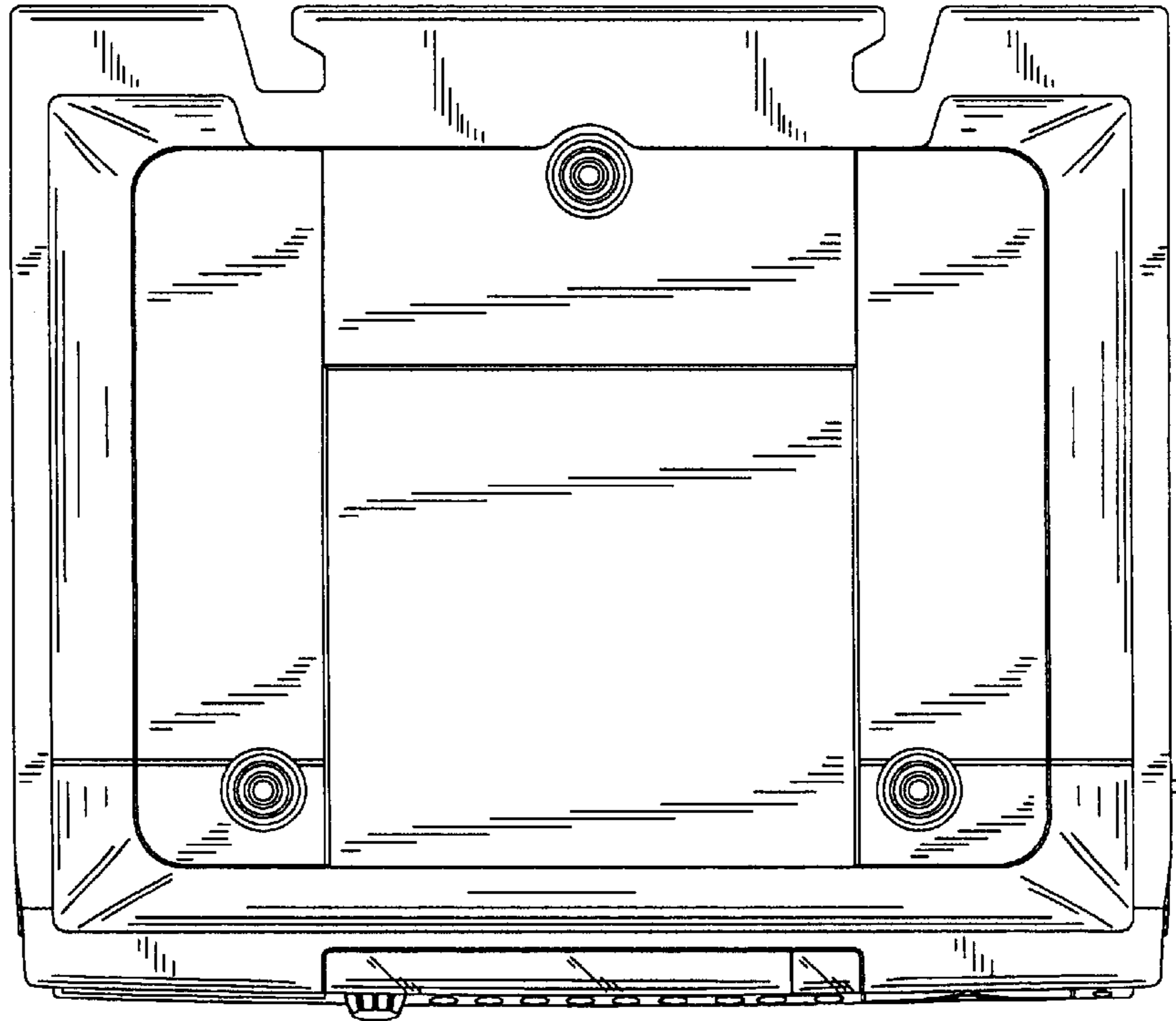


Fig. 6

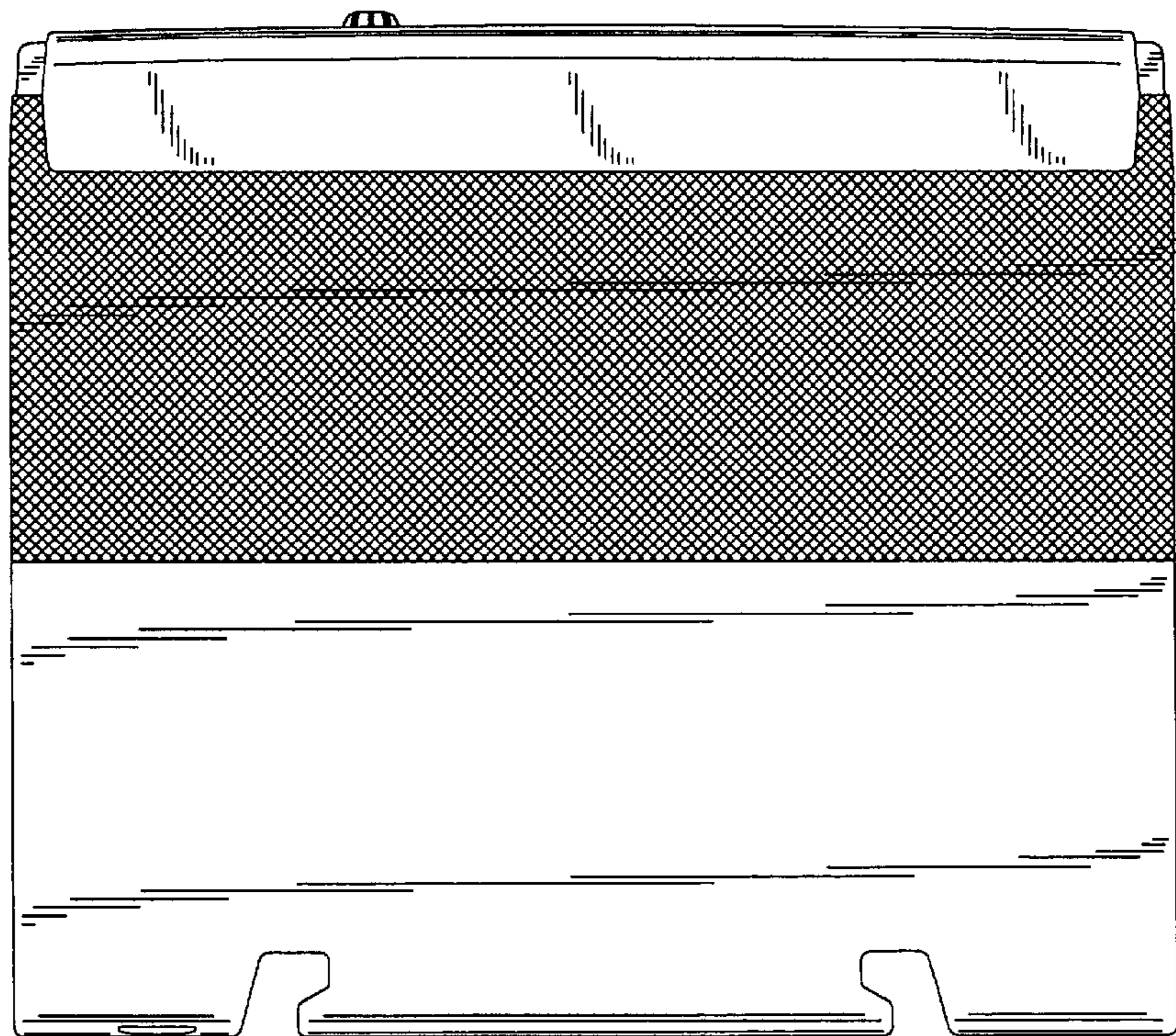


Fig. 7