



US00D484105S

(12) **United States Design Patent**  
**Takagi et al.**

(10) **Patent No.:** **US D484,105 S**

(45) **Date of Patent:** **\*\* Dec. 23, 2003**

(54) **OPTICAL MODULE**

(75) Inventors: **Shinichi Takagi**, Tokyo (JP); **Hiroshi Aruga**, Tokyo (JP); **Kiyohide Sakai**, Tokyo (JP)

(73) Assignee: **Mitsubishi Denki Kabushiki Kaisha**, Tokyo (JP)

(\*\*) Term: **14 Years**

(21) Appl. No.: **29/173,551**

(22) Filed: **Jan. 2, 2003**

(30) **Foreign Application Priority Data**

Jul. 10, 2002 (JP) ..... 2002-018491  
Jul. 10, 2002 (JP) ..... 2002-018492

(51) **LOC (7) Cl.** ..... **13-03**

(52) **U.S. Cl.** ..... **D13/182**

(58) **Field of Search** ..... D13/182; 250/239;  
257/36, 82, 96, 678, 679, 432, 433, 773;  
372/31, 36, 43; 385/94; 438/411

(56) **References Cited**

**U.S. PATENT DOCUMENTS**

4,768,070 A \* 8/1988 Takizawa et al. .... 372/31  
5,052,009 A \* 9/1991 Tsuboi et al. .... 372/36  
5,252,856 A \* 10/1993 Murai ..... 257/678  
5,814,871 A \* 9/1998 Furukawa et al. .... 257/433  
6,181,720 B1 \* 1/2001 Kanemoto et al. .... 372/43  
6,479,889 B1 \* 11/2002 Yoshida et al. .... 257/678  
D476,296 S \* 6/2003 Koizumi ..... D13/182  
6,577,656 B2 \* 6/2003 Chen et al. .... 372/36  
6,587,491 B1 \* 7/2003 Yamamoto ..... 372/43

**OTHER PUBLICATIONS**

Product Overview, wysiwyg://mainframe.1101/http://www-shinko.co.jp/e.product/e.glass/e.glass.4.htm, "Glass-to-Metal Seals", 2 pages, 2001-2002.

Patent Abstracts of Japan, JP 10-284640, Oct. 23, 1998.  
Patent Abstracts of Japan, JP 08-031970, Feb. 2, 1996.  
Patent Abstracts of Japan, JP 11-087577, Mar. 30, 1999.  
Patent Abstracts of Japan, JP 05-129461, May 25, 1993.  
Patent Abstracts of Japan, JP 07-176649, Jul. 14, 1995.

\* cited by examiner

*Primary Examiner*—Philip S. Hyder

*Assistant Examiner*—Selina Sikder

(74) *Attorney, Agent, or Firm*—Oblon, Spivak, McClelland, Maier & Neustadt, P.C.

(57) **CLAIM**

The ornamental design for a optical module, as shown and described.

**DESCRIPTION**

FIG. 1 is a front, top and right side perspective view of a optical module, showing our new design;  
FIG. 2 is a front elevational view thereof;  
FIG. 3 is a rear elevational view thereof;  
FIG. 4 is a top plan view thereof;  
FIG. 5 is a bottom plan view thereof;  
FIG. 6 is a right side elevational view thereof, the left side elevational view is omitted as that is symmetrical to the right side elevational view thereof;  
FIG. 7 is a front, top and right side perspective view of a second embodiment of the optical module, showing our new design;  
FIG. 8 is a front elevational view thereof;  
FIG. 9 is a rear elevational view thereof;  
FIG. 10 is a top plan view thereof;  
FIG. 11 is a bottom plan view thereof; and,  
FIG. 12 is a right side elevational view thereof, the left side elevational view is omitted as that is symmetrical to the right side elevational view thereof.

The broken lines in all views are shown for illustrative purposes only and form no part of the claimed design.

**1 Claim, 4 Drawing Sheets**

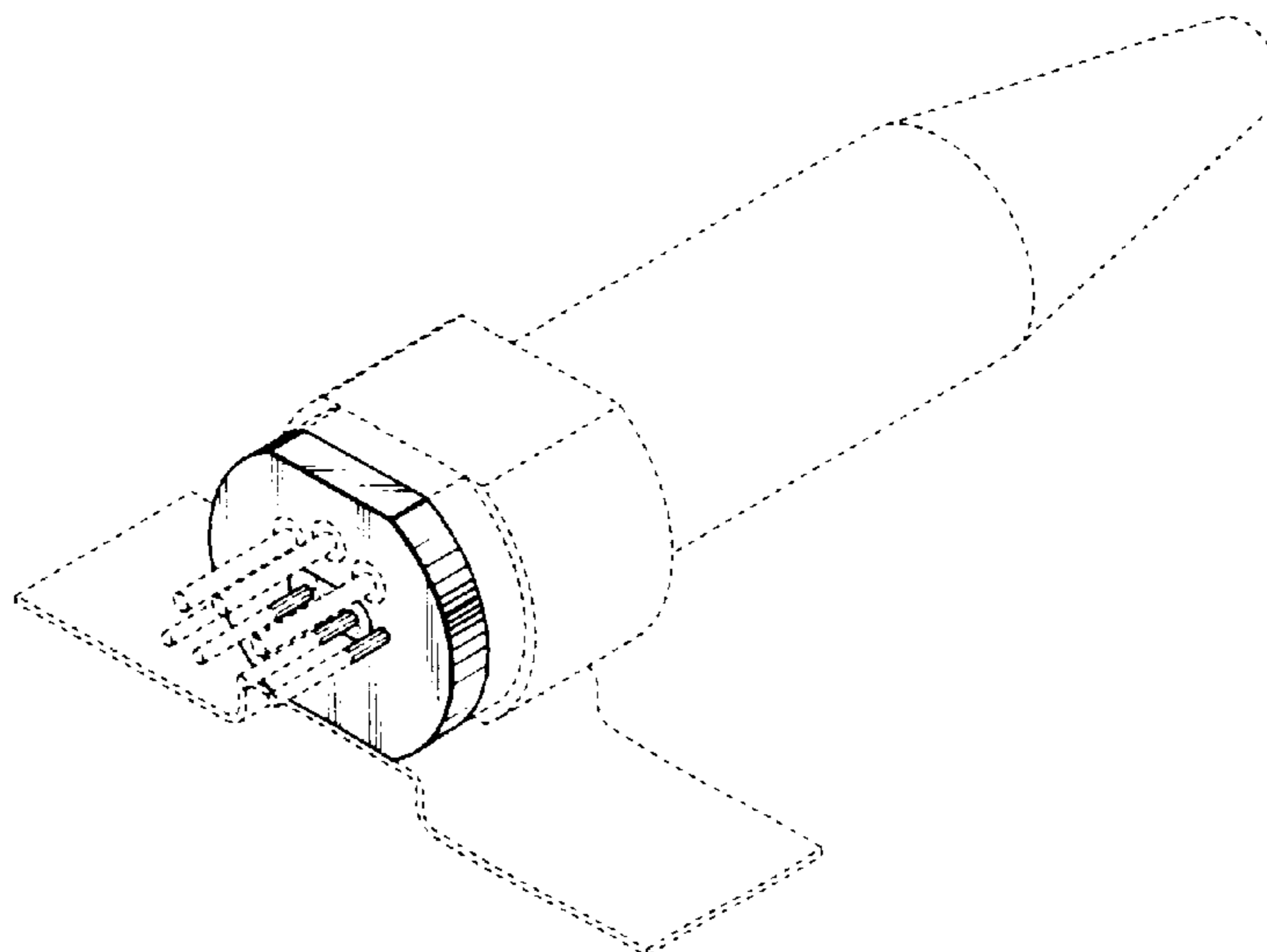


FIG. 1

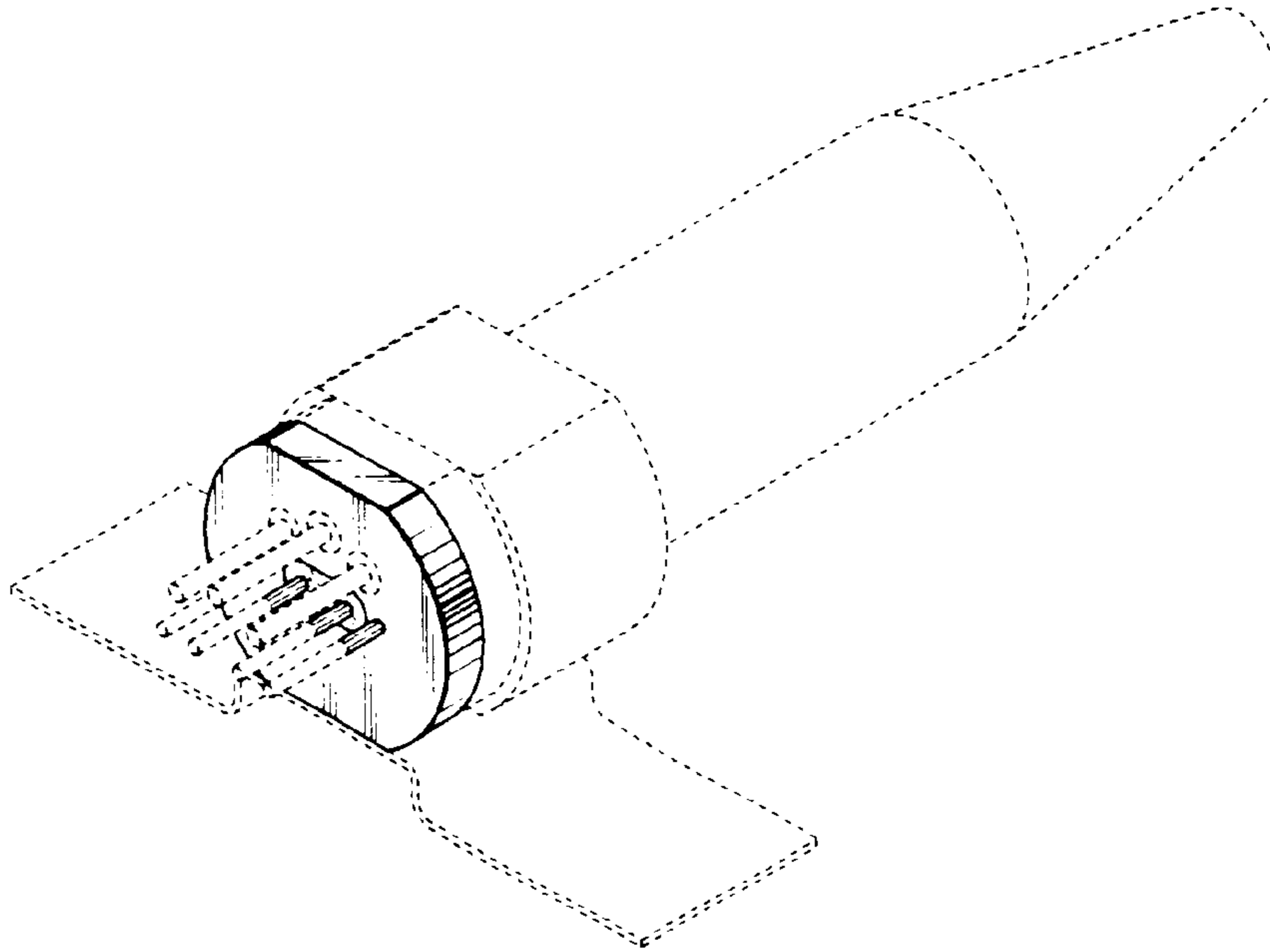


FIG. 2

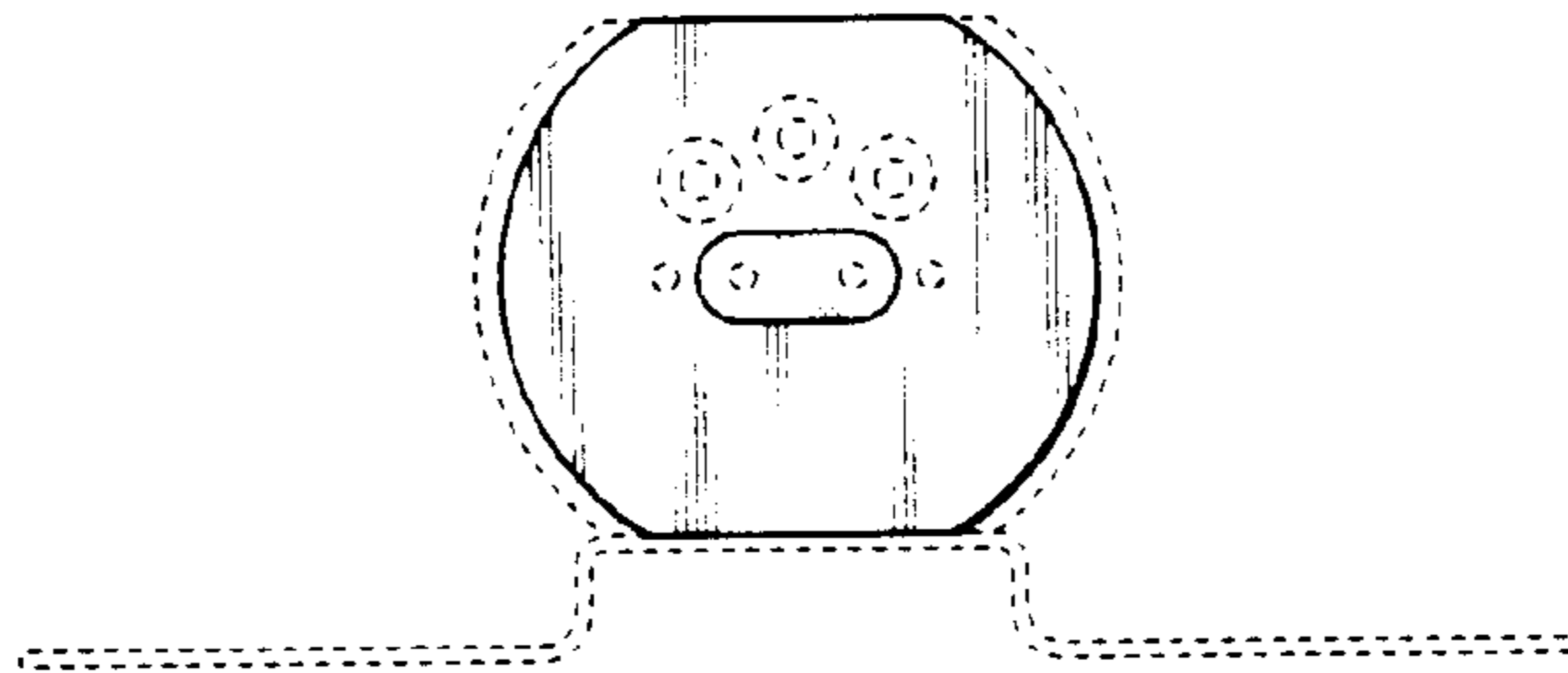


FIG. 3

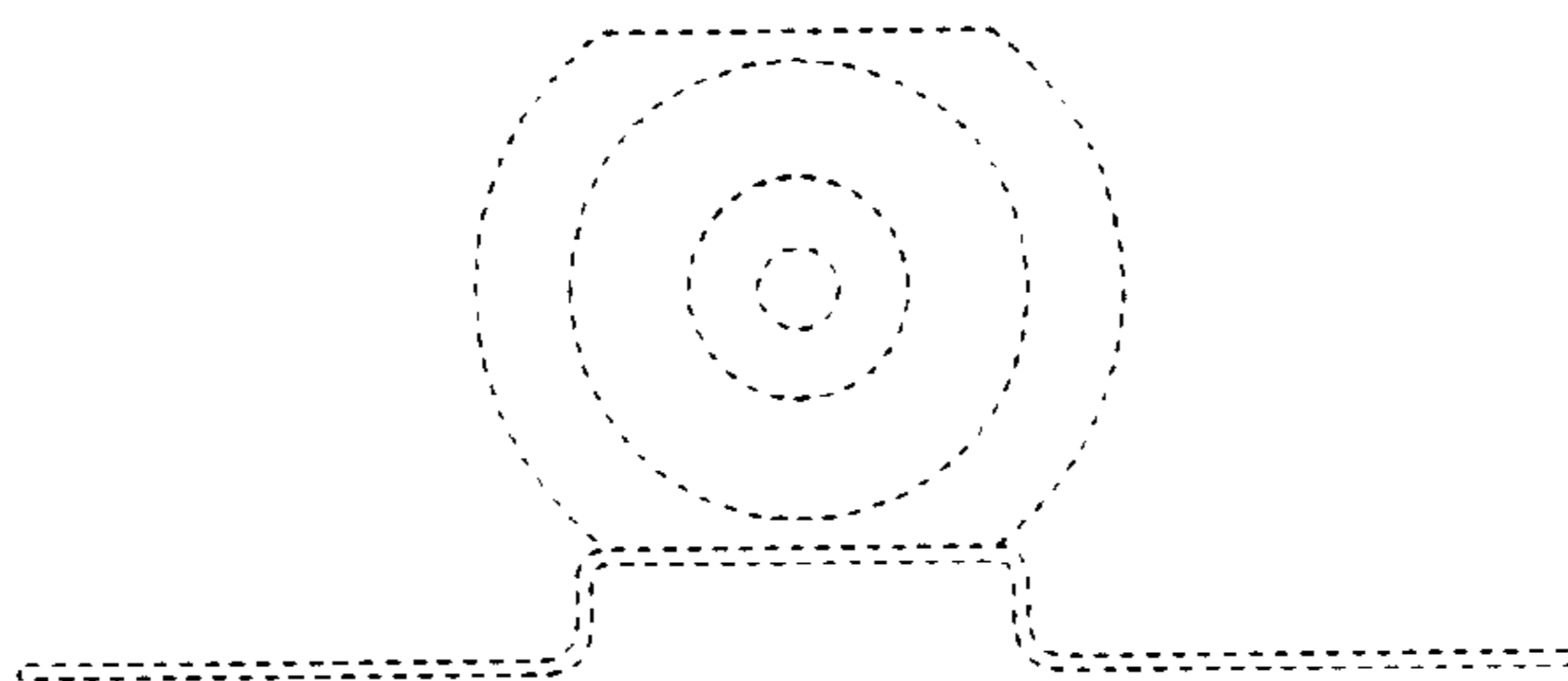


FIG.4

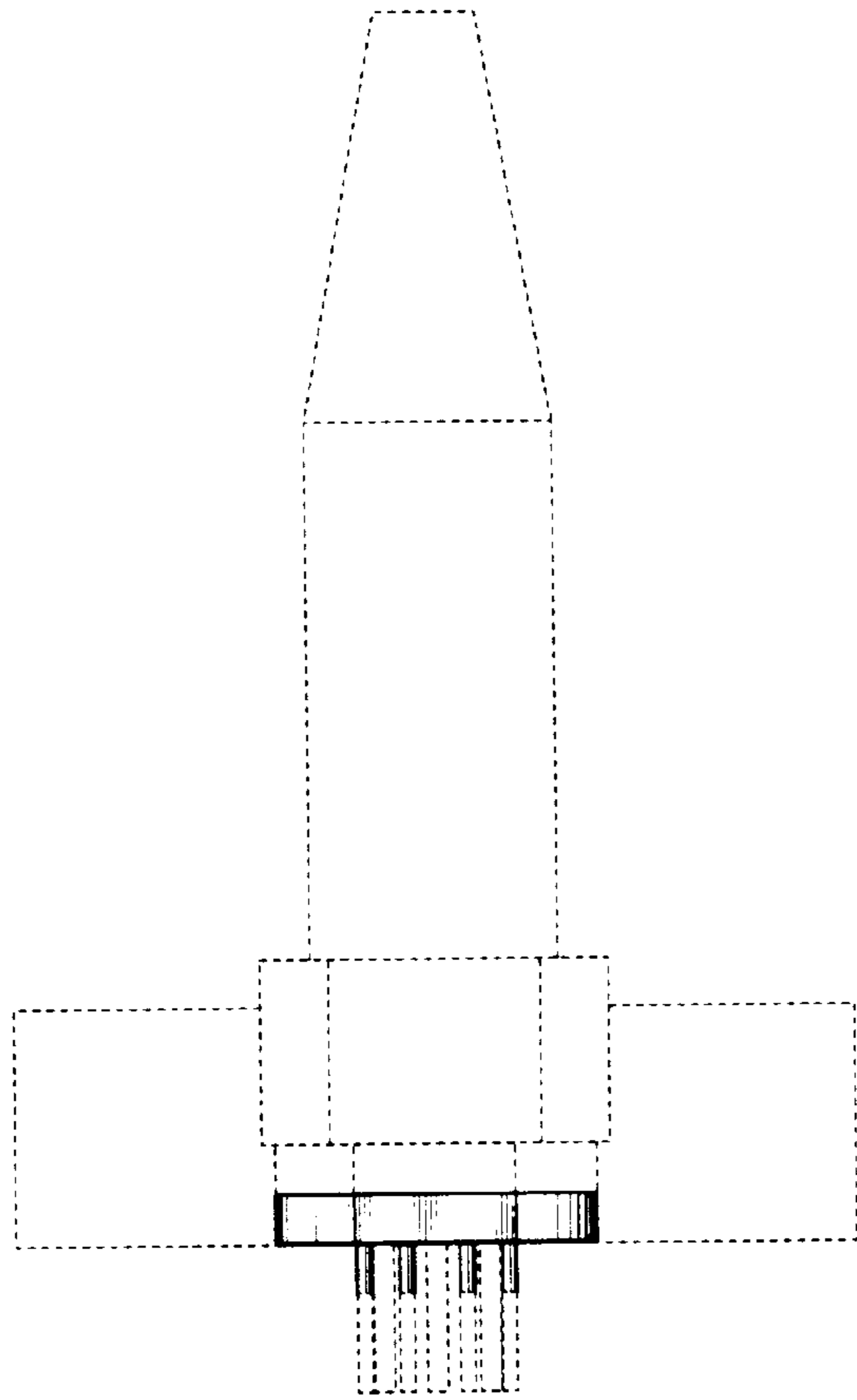


FIG.5

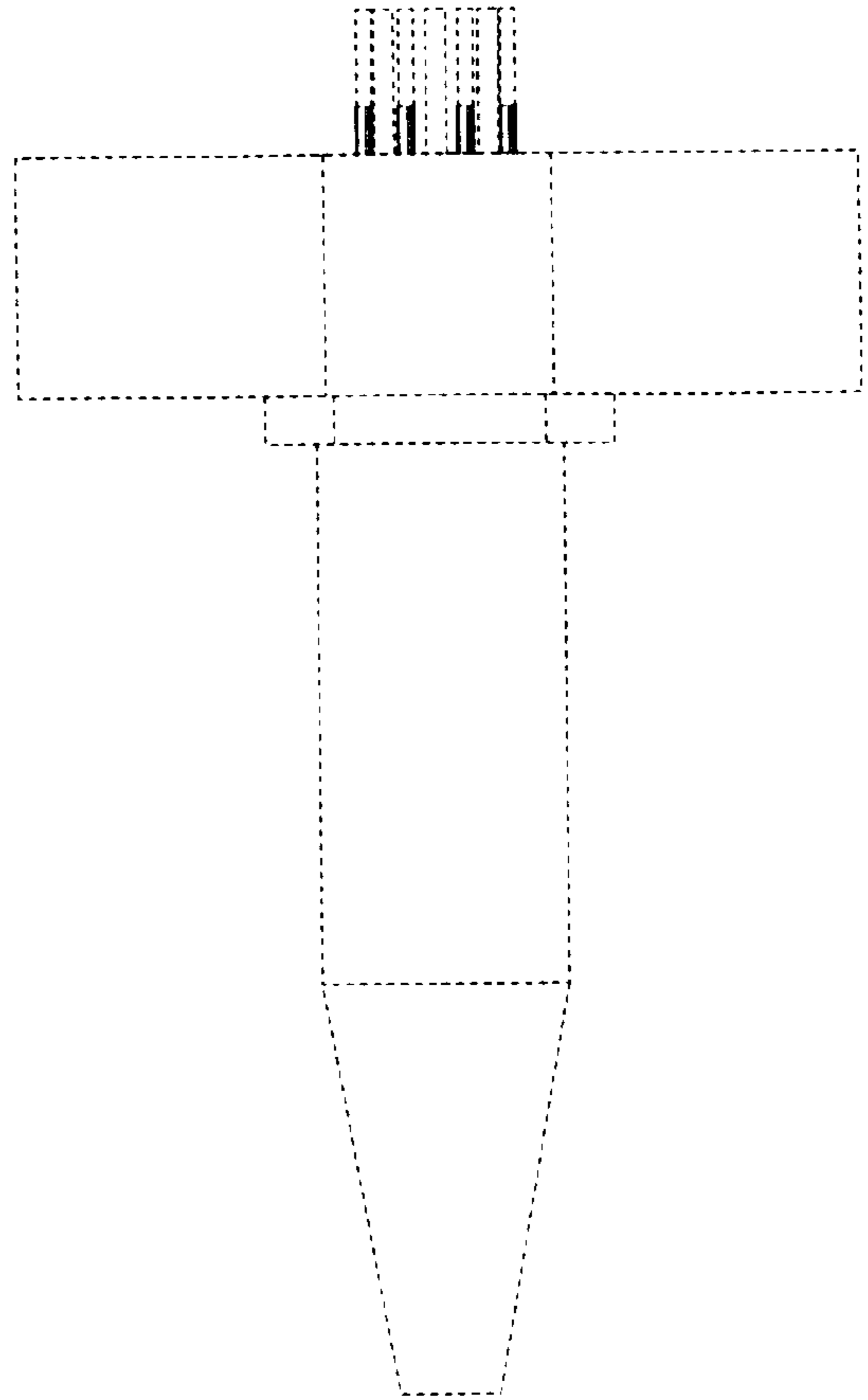


FIG.6

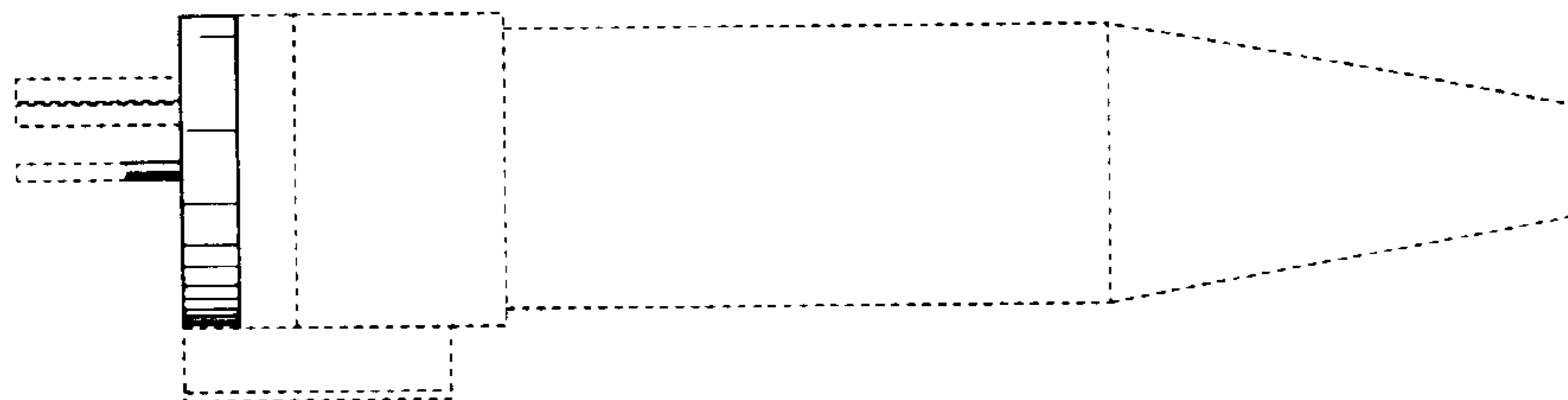


FIG. 7

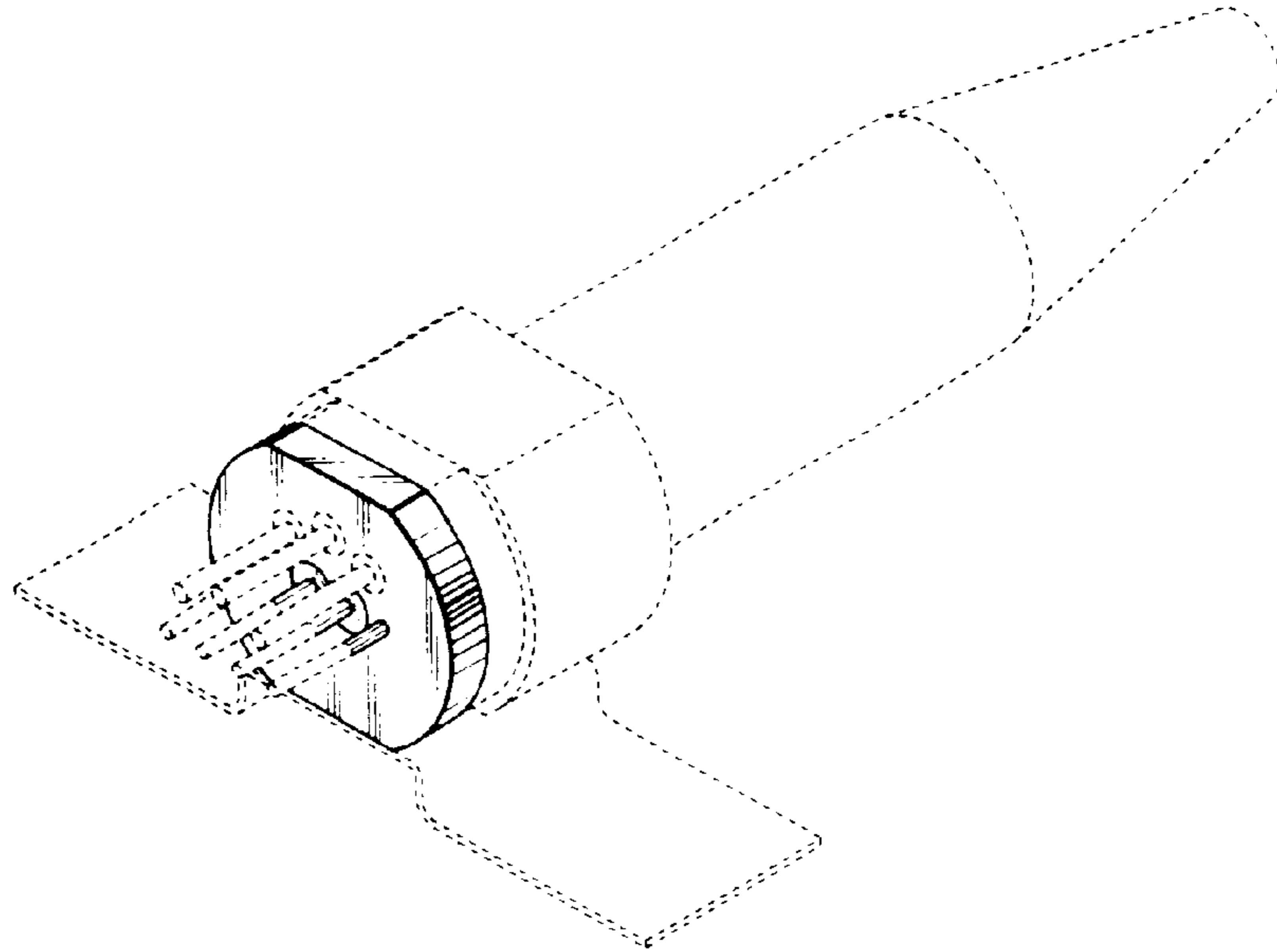


FIG. 8

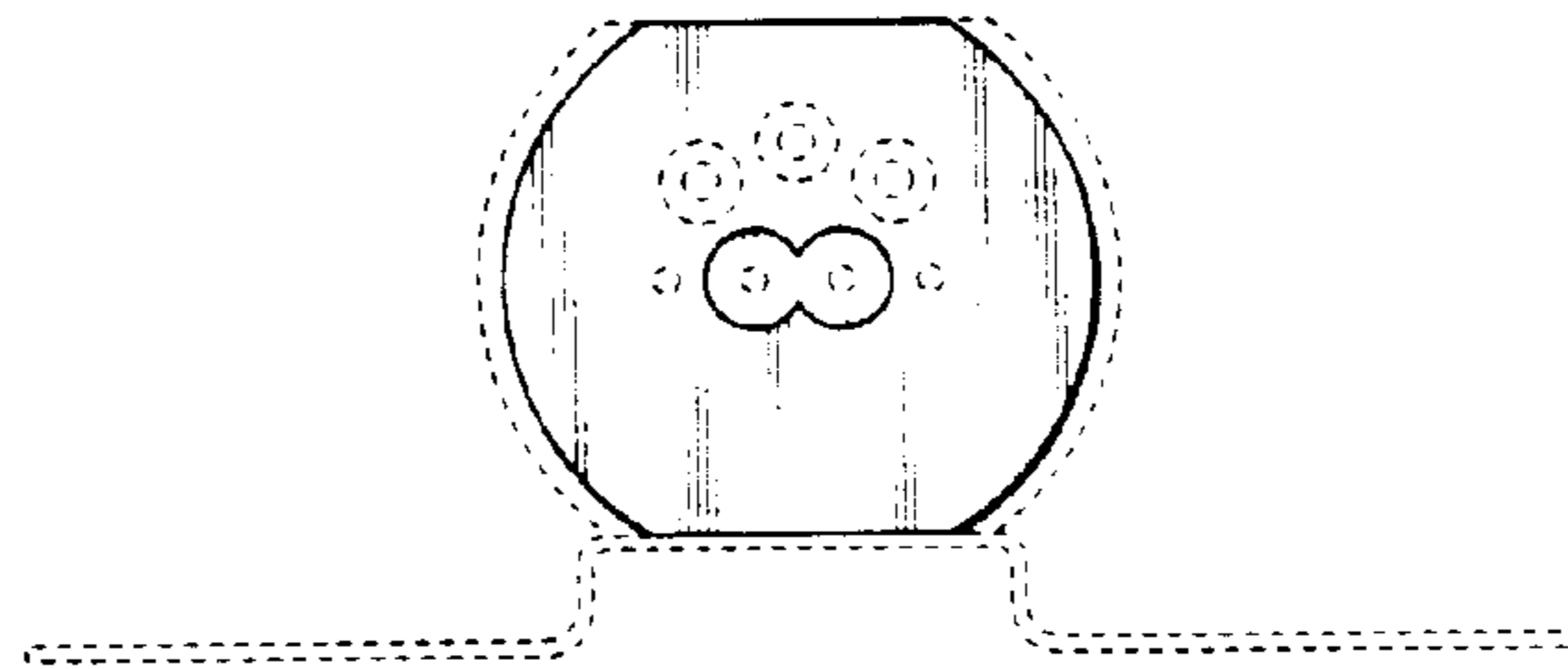


FIG. 9

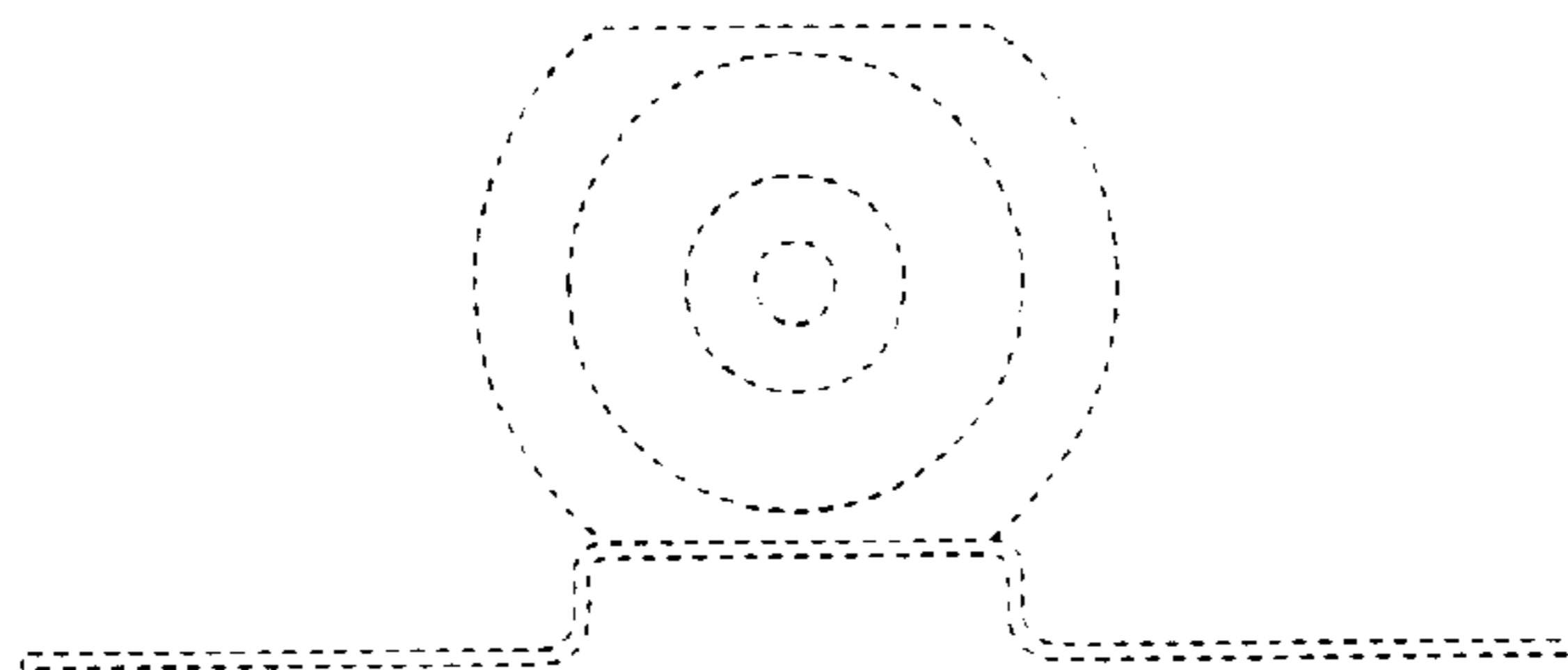


FIG. 10

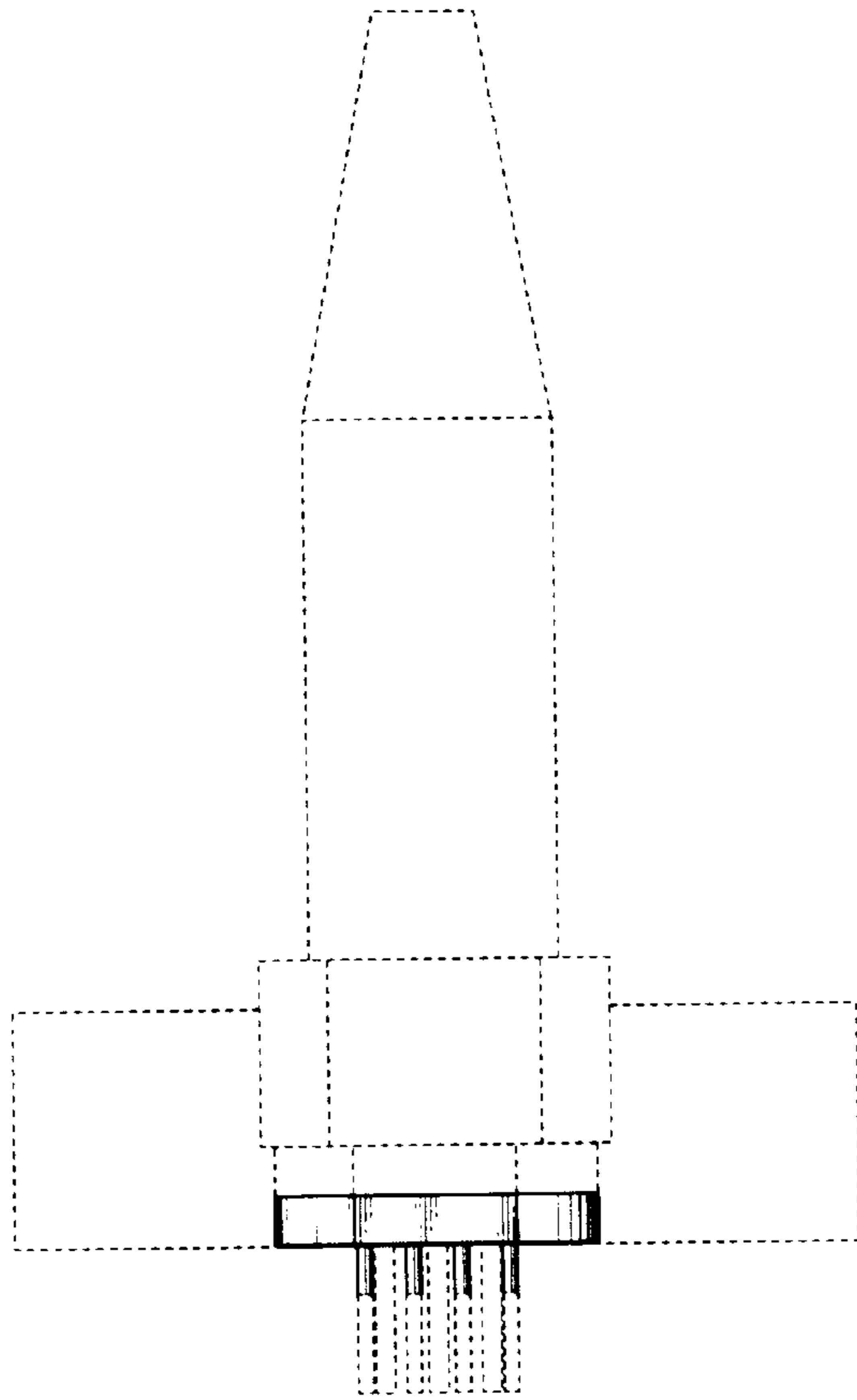


FIG. 11

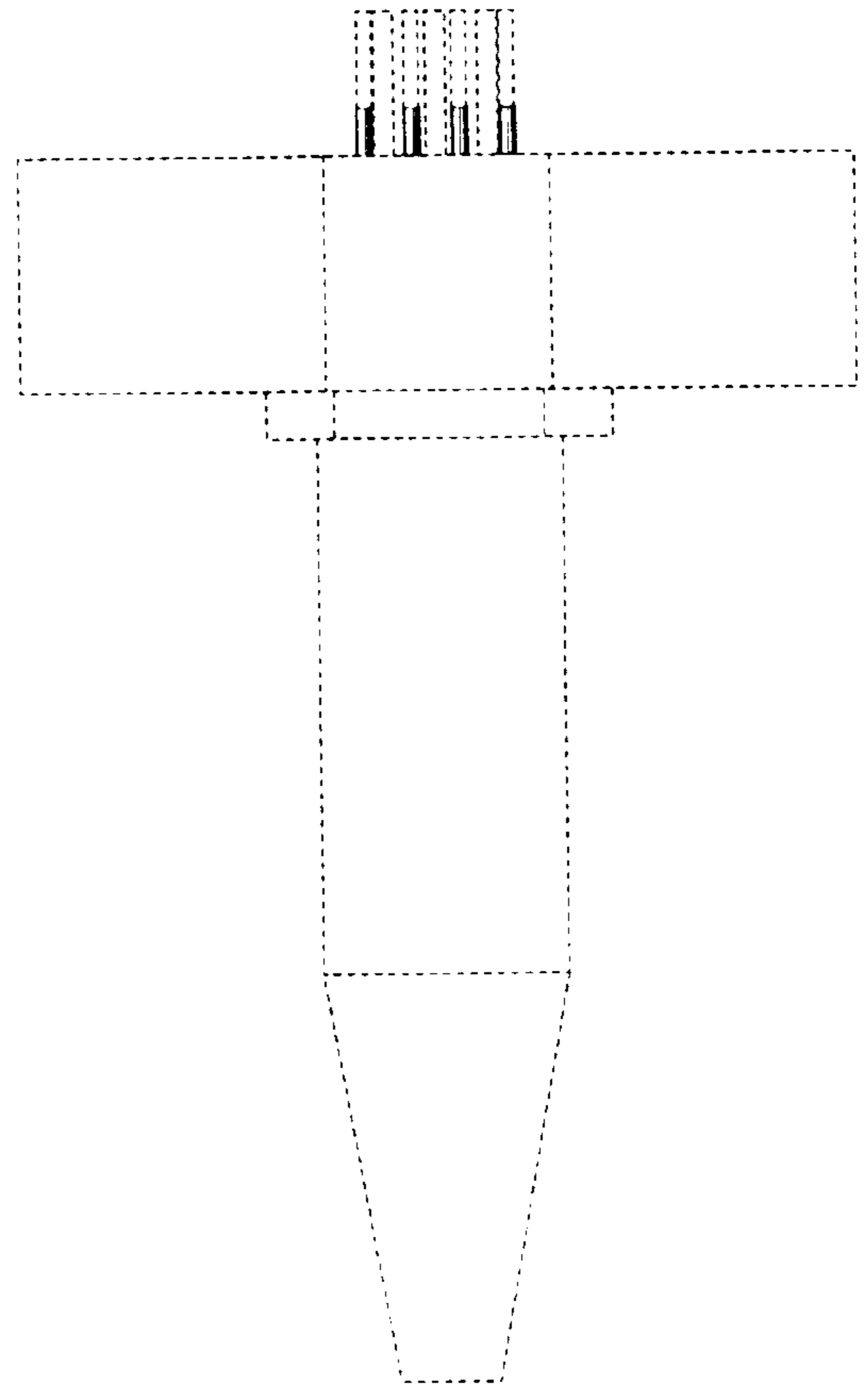


FIG. 12

