



US00D484102S

(12) **United States Design Patent**
Fan

(10) **Patent No.:** **US D484,102 S**

(45) **Date of Patent:** **** Dec. 23, 2003**

(54) **TRANSIENT VOLTAGE SURGE PROTECTOR**

(75) Inventor: **Ying-Yi Fan**, Taipei (TW)

(73) Assignee: **Powercom Corporation**, Taipei (TW)

(**) Term: **14 Years**

(21) Appl. No.: **29/160,556**

(22) Filed: **May 14, 2002**

(51) **LOC (7) Cl.** **13-03**

(52) **U.S. Cl.** **D13/160**

(58) **Field of Search** D13/137.3, 137.4,
D13/138.2, 160; 174/53, 65 R, 77 R, 92;
200/298, 301, 302.1; 361/42, 45

(56) **References Cited**

U.S. PATENT DOCUMENTS

3,761,774 A	*	9/1973	Laughinghouse et al.	361/45
D313,971 S	*	1/1991	Rosenbaum et al.	D13/160
5,684,272 A	*	11/1997	Gernhardt et al.	174/65 R
D391,922 S	*	3/1998	Aromin	D13/160
D416,234 S		11/1999	Veino et al.	
D418,482 S	*	1/2000	MacKay	D13/160
D454,546 S	*	3/2002	MacKay	D13/160

* cited by examiner

Primary Examiner—Ted Shooman
Assistant Examiner—Selina Sikder
(74) *Attorney, Agent, or Firm*—Johnson, Lin & Associates;
Chauncey B. Johnson, Esq.

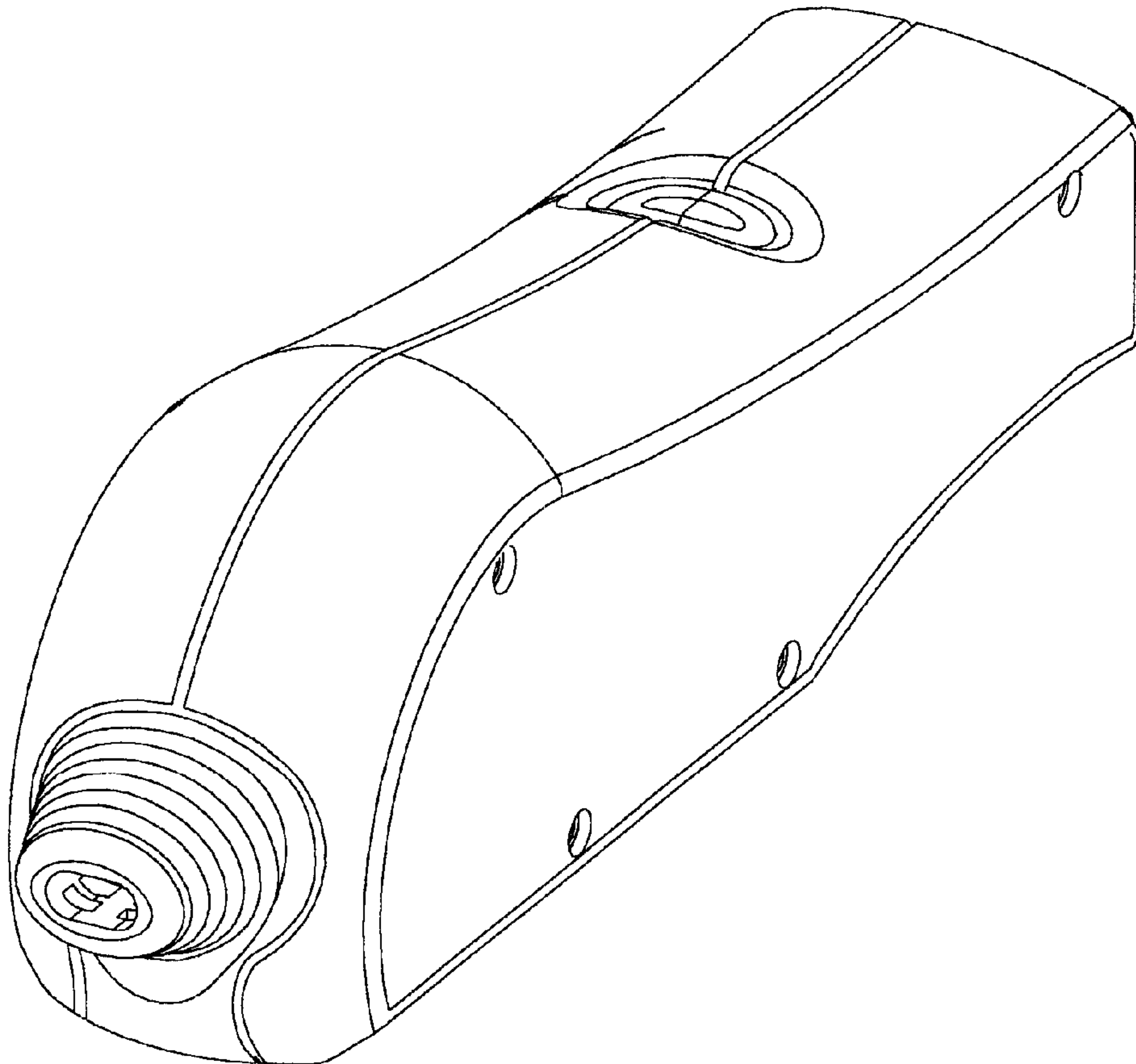
(57) **CLAIM**

The ornamental design for a transient voltage surge protector, as shown and described.

DESCRIPTION

FIG. 1 is a perspective view of an transient voltage surge protector showing our new design;
FIG. 2 is a right side view of the transient voltage surge protector shown in FIG. 1;
FIG. 3 is a top view of the transient voltage surge protector shown in FIG. 1;
FIG. 4 is a front view of the transient voltage surge protector shown in FIG. 1;
FIG. 5 is a bottom view of the transient voltage surge protector shown in FIG. 1;
FIG. 6 is a left side view of the transient voltage surge protector shown in FIG. 1; and,
FIG. 7 is a rear view of the transient voltage surge protector shown in FIG. 1.

1 Claim, 4 Drawing Sheets



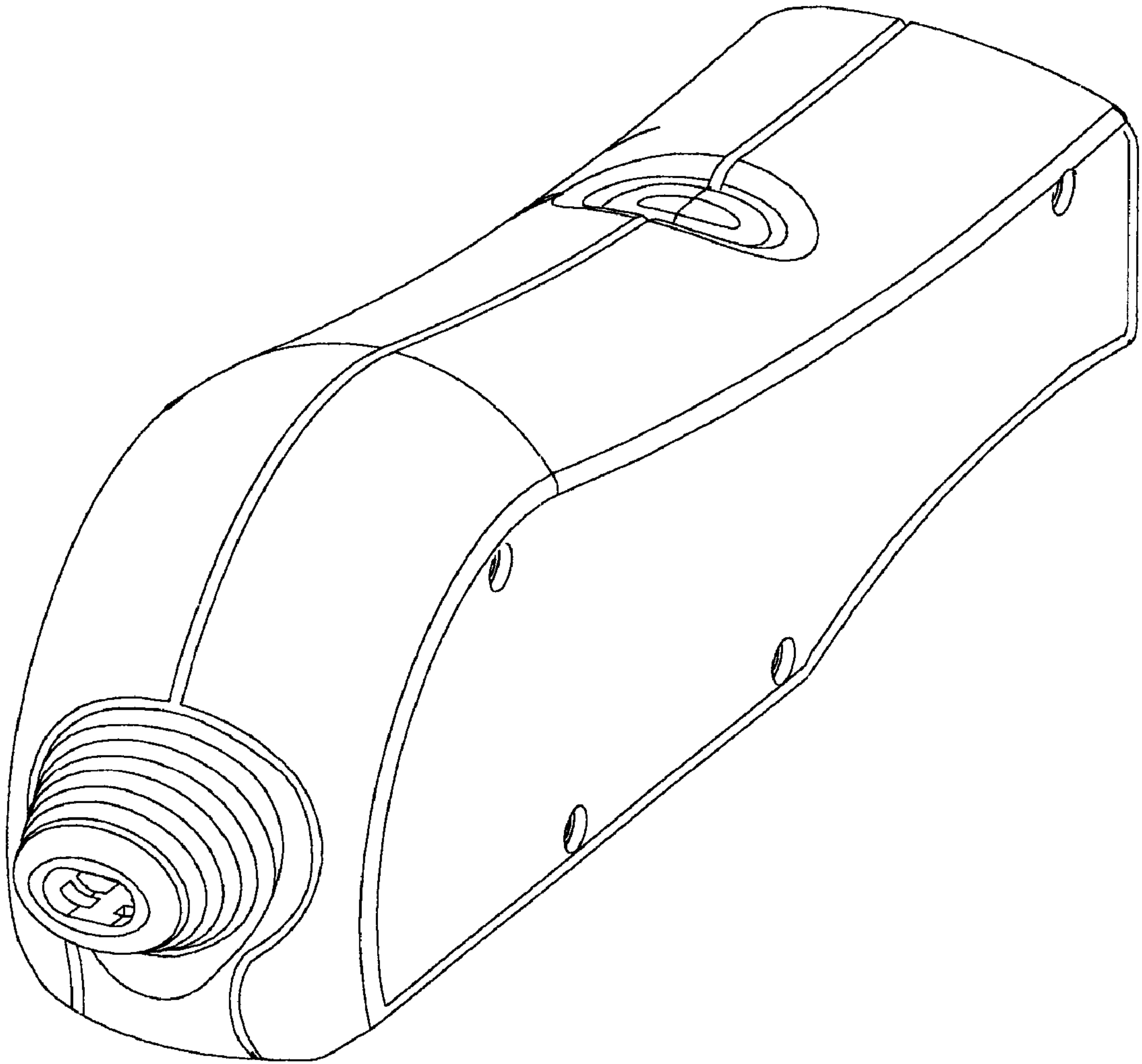


Fig. 1

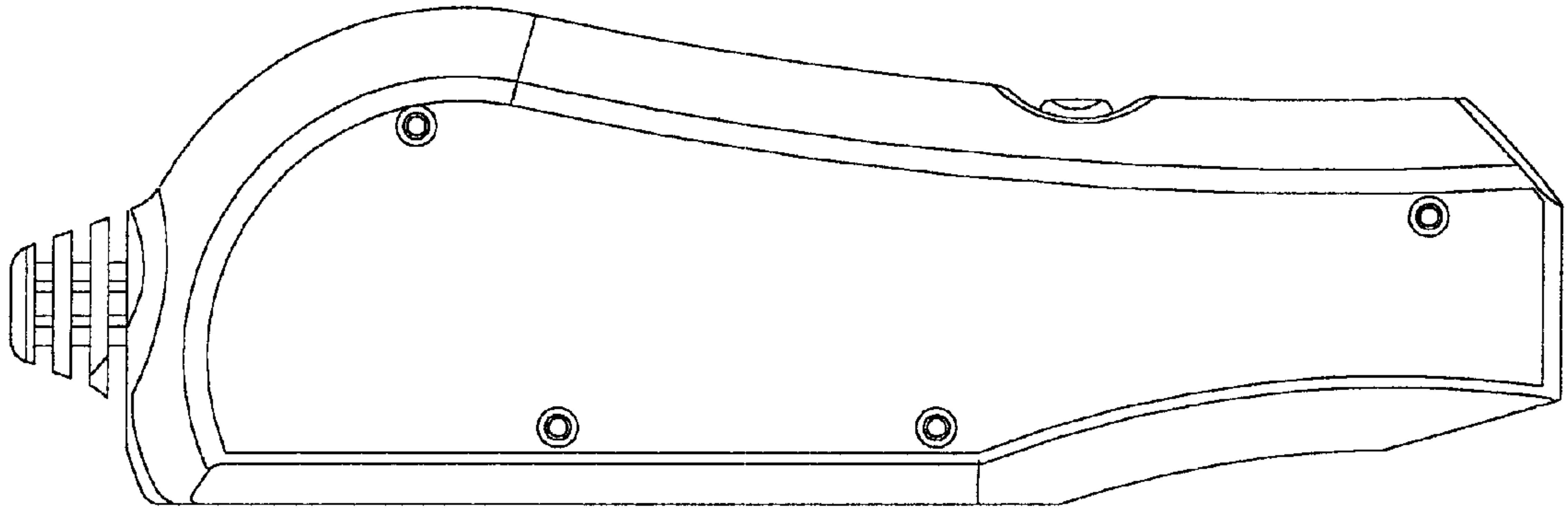


Fig. 2

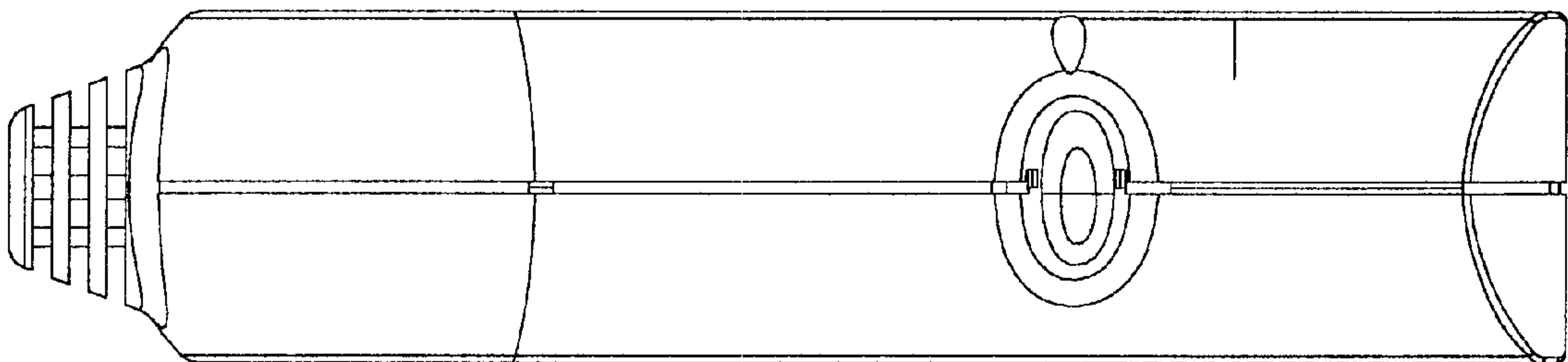


Fig. 3

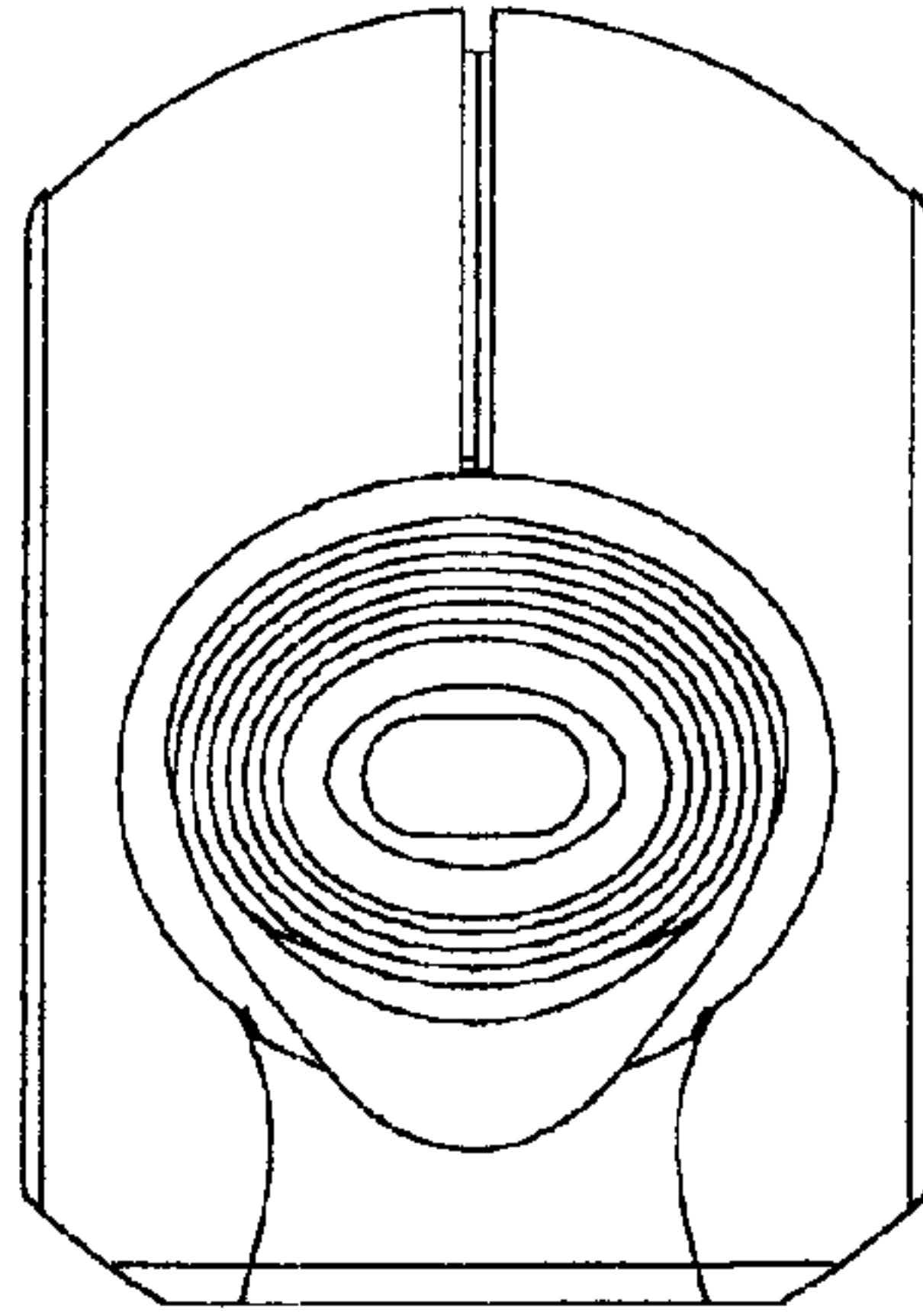


Fig. 4

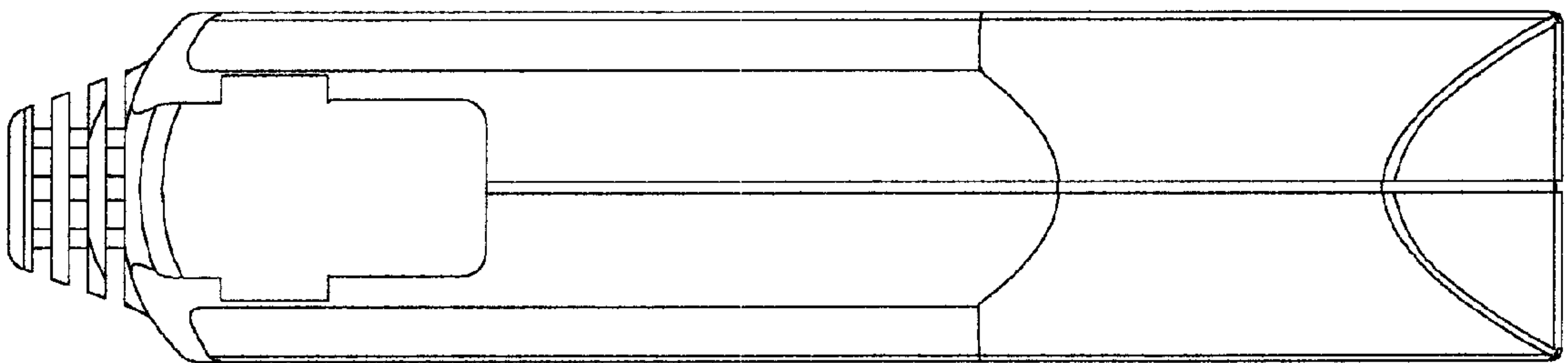


Fig. 5

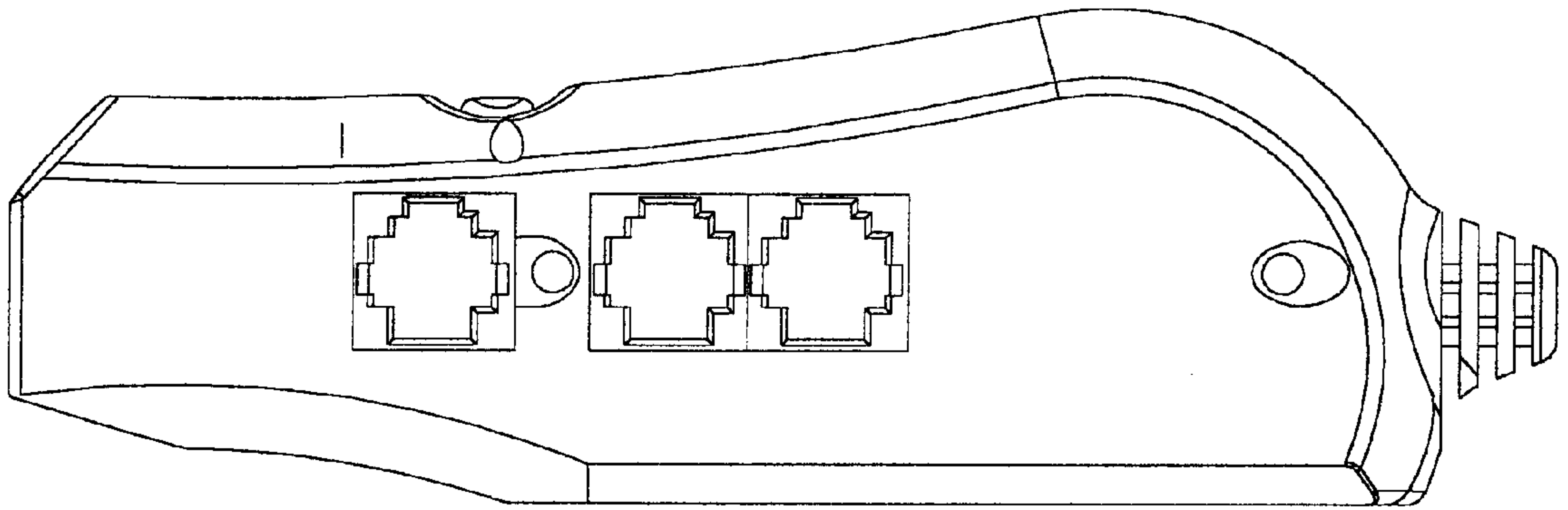


Fig. 6

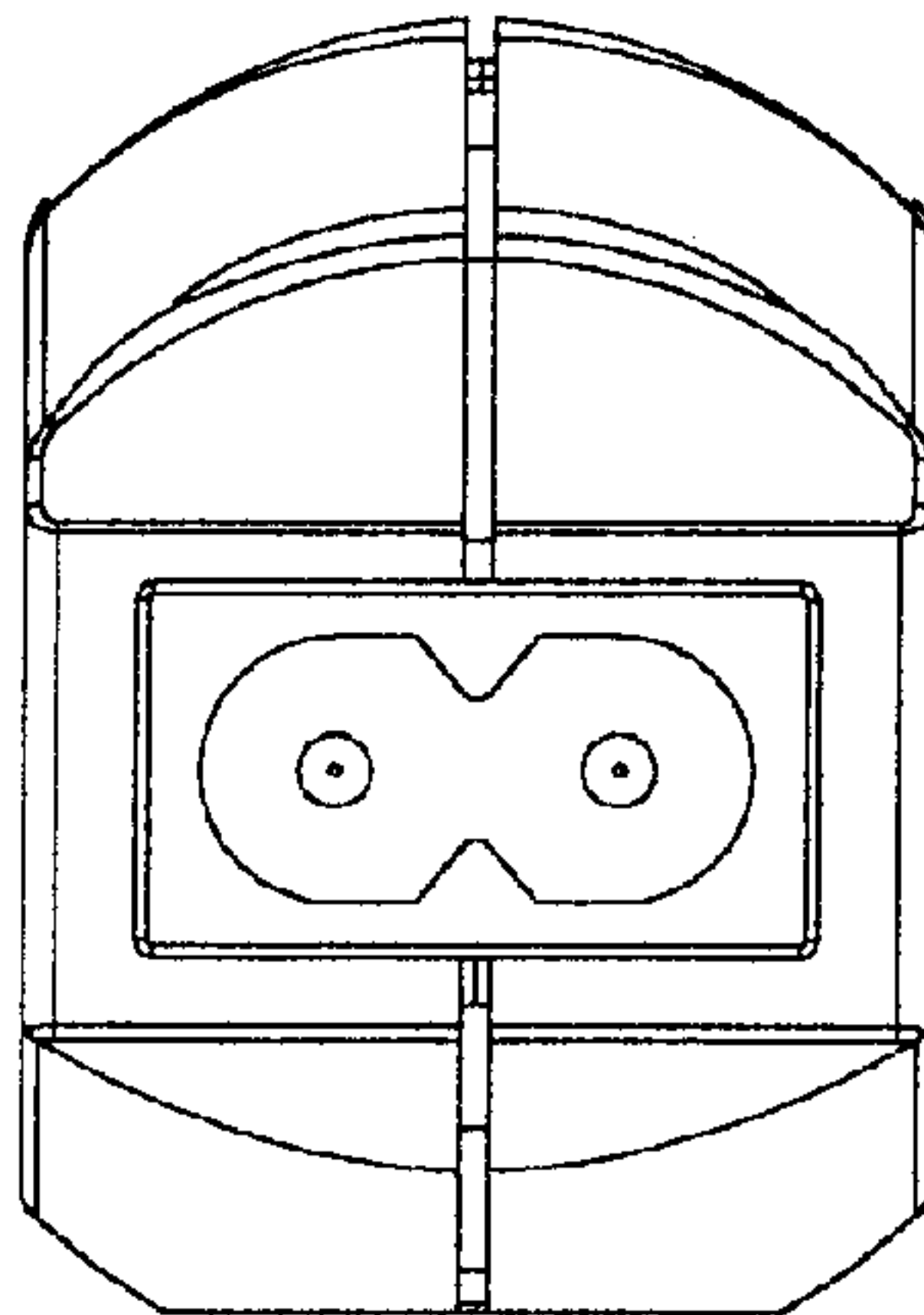


Fig. 7