



US00D484101S

(12) **United States Design Patent**  
**Long et al.**

(10) **Patent No.:** **US D484,101 S**

(45) **Date of Patent:** **\*\* Dec. 23, 2003**

(54) **MOUNTABLE SWITCH**

(75) **Inventors:** **Charles Keith Long**, Seneca, SC (US);  
**Kenneth M. Brazell**, Piedmont, SC  
(US); **James A. Keith, Jr.**, Pickens, SC  
(US)

(73) **Assignee:** **One World Technologies Limited**,  
Hamilton (BM)

(\*\*) **Term:** **14 Years**

(21) **Appl. No.:** **29/172,142**

(22) **Filed:** **Dec. 6, 2002**

(51) **LOC (7) Cl.** ..... **13-03**

(52) **U.S. Cl.** ..... **D13/158**

(58) **Field of Search** ..... D13/158, 169,  
D13/171, 174, 133, 137.1, 137.3; D10/104,  
106; 174/50, 53, 57, 66; 200/50.01, 50.02,  
50.15, 333, 339; 307/140, 141; 362/95,  
145; 439/373, 535, 536

(56) **References Cited**

**U.S. PATENT DOCUMENTS**

D327,471 S \* 6/1992 Frick ..... D13/158  
D331,743 S 12/1992 Fujiyoshi ..... D13/169  
D343,386 S \* 1/1994 Mueller ..... D13/158

D381,283 S \* 7/1997 Soreo ..... D10/106  
D416,871 S 11/1999 Todd ..... D13/169  
D434,387 S \* 11/2000 Taylor ..... D13/158  
D454,118 S 3/2002 Winkler ..... D13/158

\* cited by examiner

*Primary Examiner*—Nanda Bondade

*Assistant Examiner*—Selina Sikder

(74) *Attorney, Agent, or Firm*—Andrew Y. Pang; Nexsen  
Pruet Jacobs & Pollard, LLC

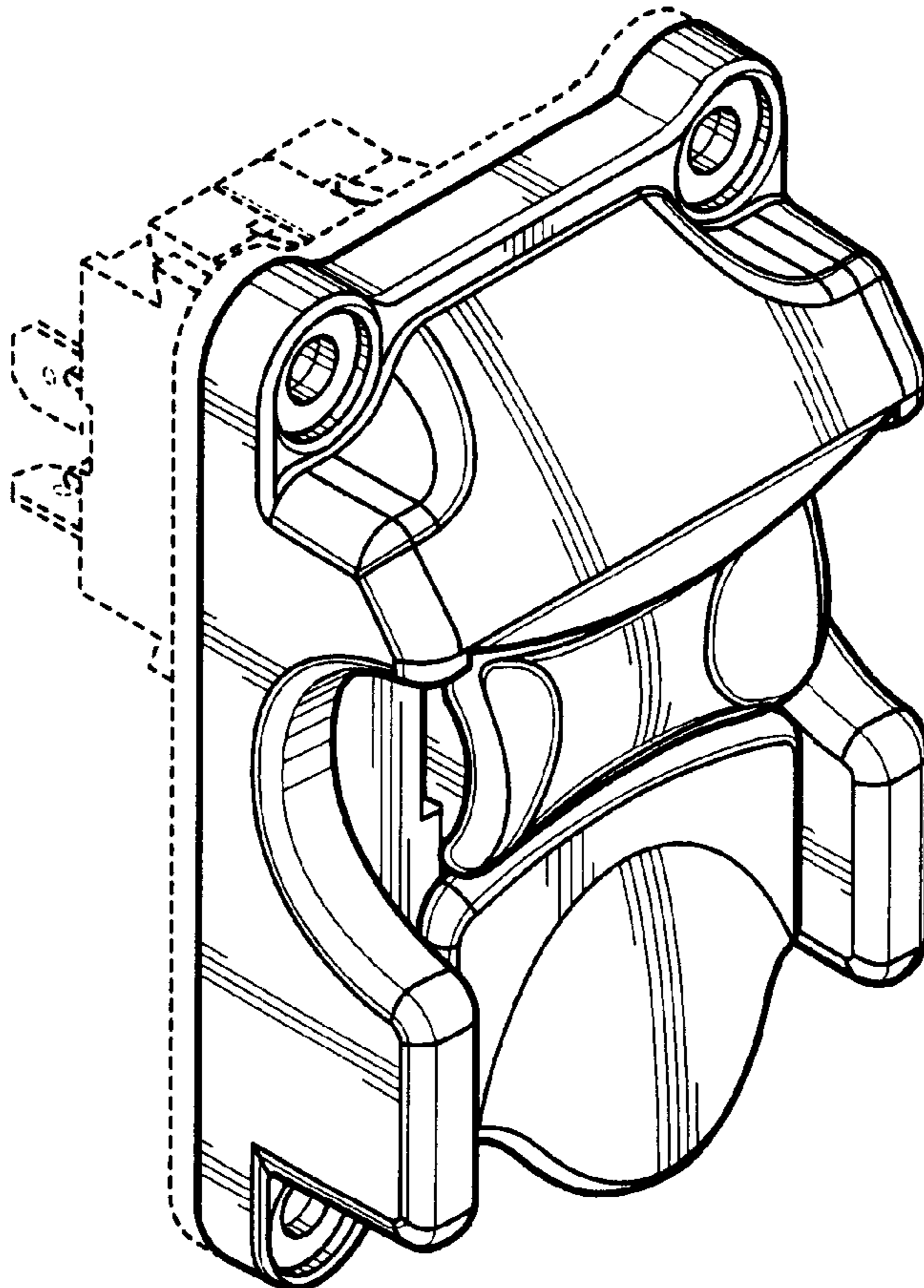
(57) **CLAIM**

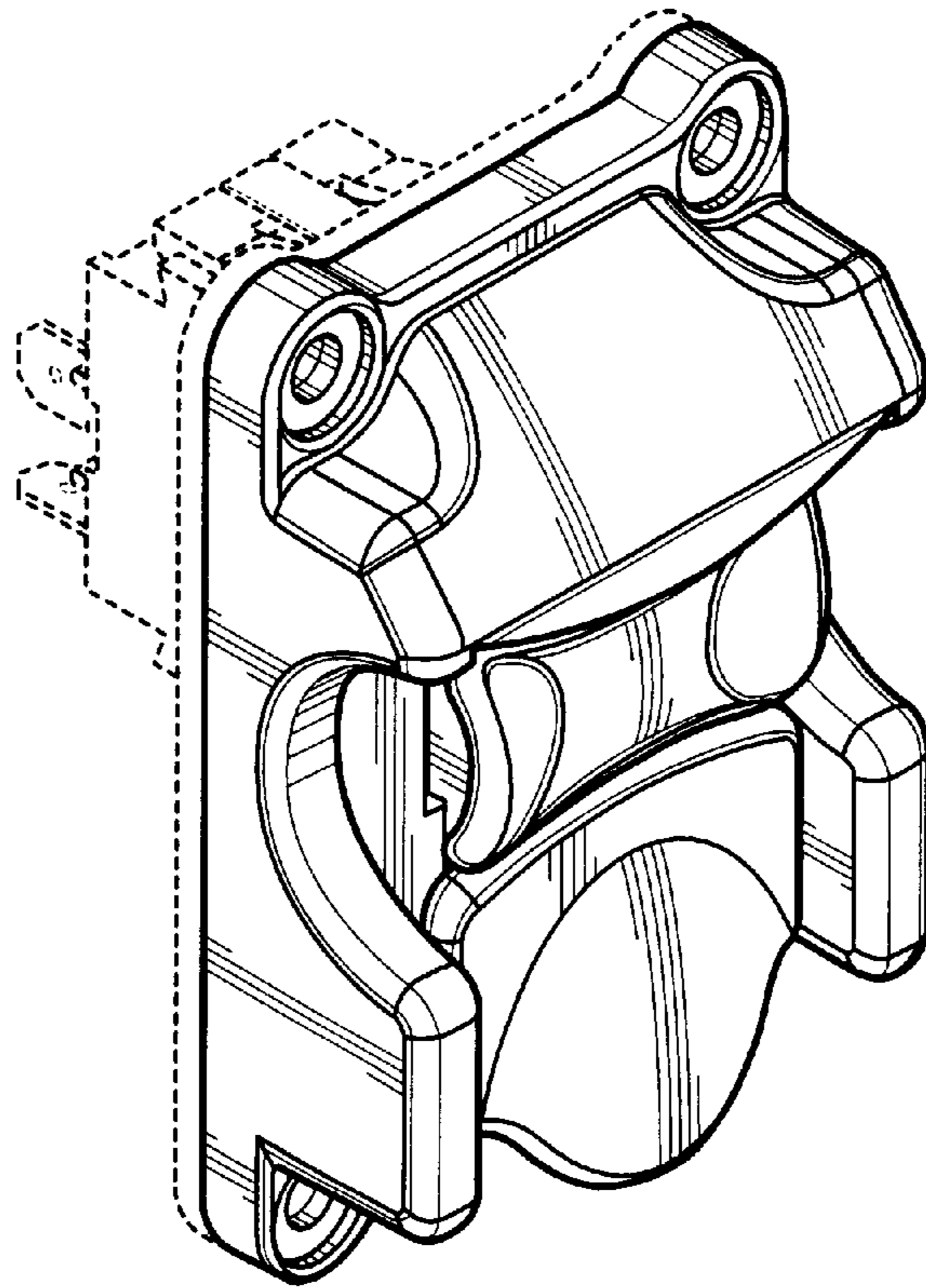
The ornamental design for a mountable switch, as shown  
and described.

**DESCRIPTION**

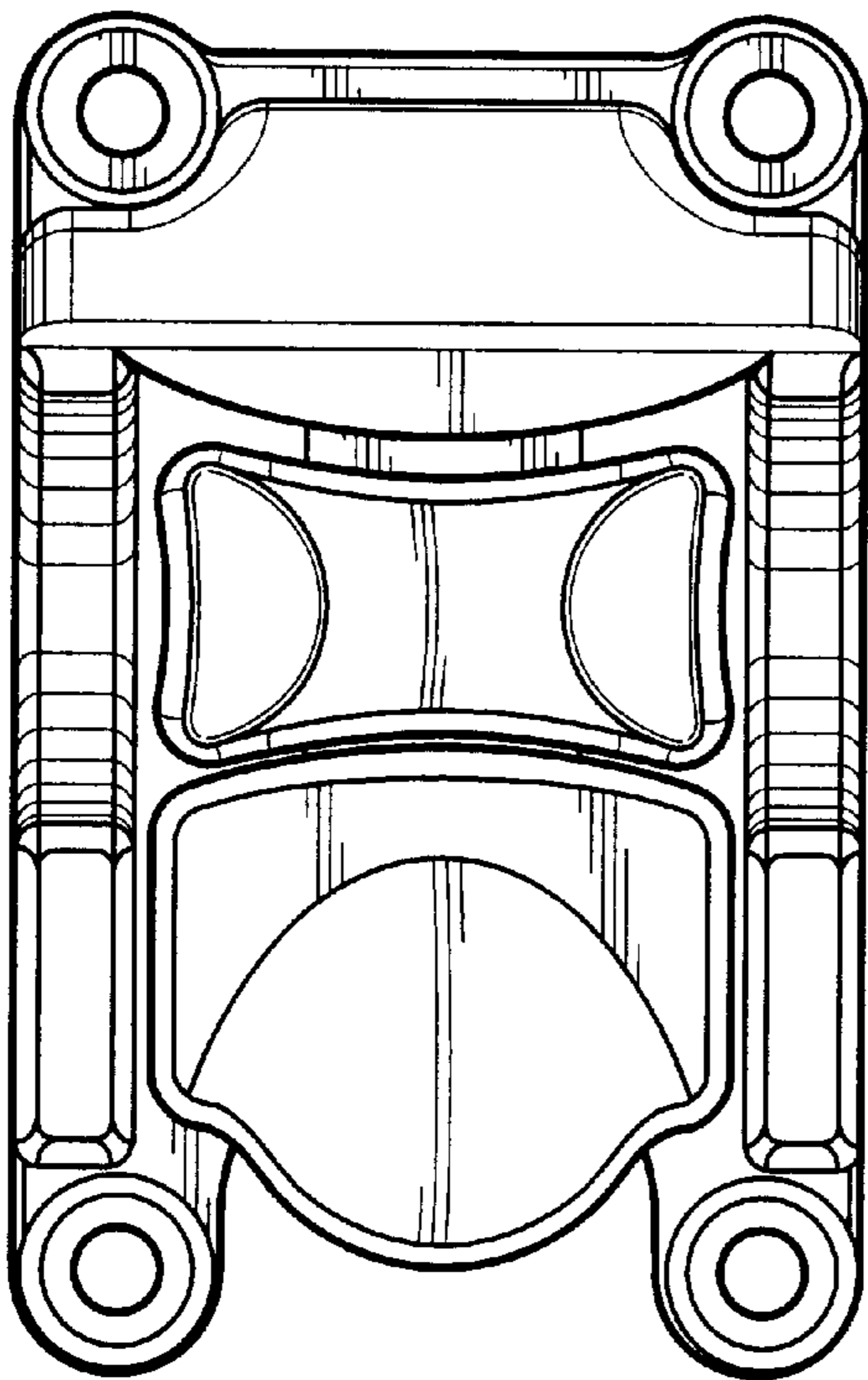
FIG. 1 is a front perspective view of the mountable switch  
of the present invention;  
FIG. 2 is a front elevational view thereof;  
FIG. 3 is a rear elevational view thereof;  
FIG. 4 is a side elevational view of one side thereof the  
opposite side being a mirror image thereof;  
FIG. 5 is a top view thereof; and,  
FIG. 6 is a bottom view thereof.  
The broken lines shown in FIGS. 1, 3, 4, 5 and 6 are for  
illustrative purposes only and form no part of the claimed  
design.

**1 Claim, 2 Drawing Sheets**

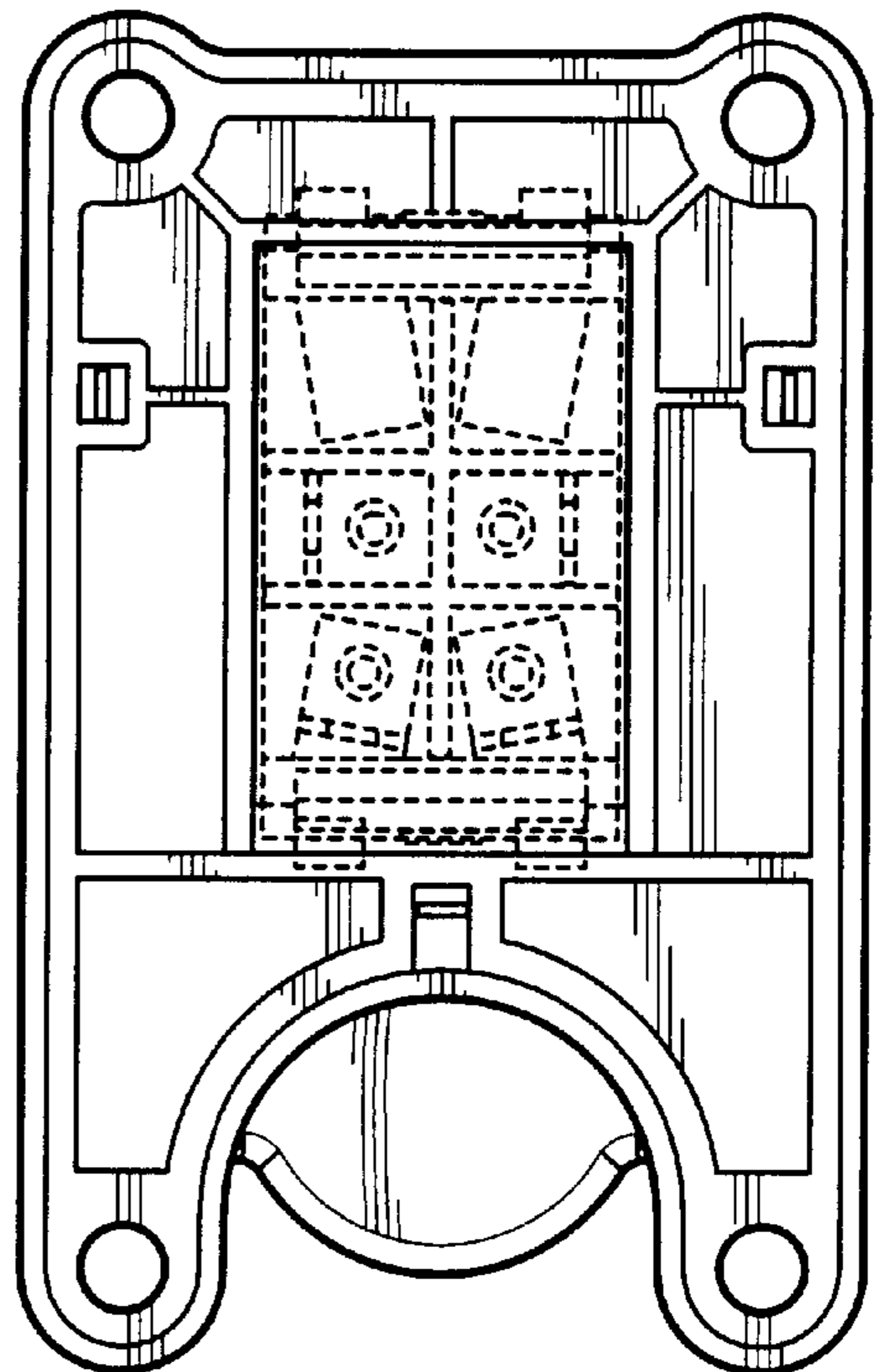




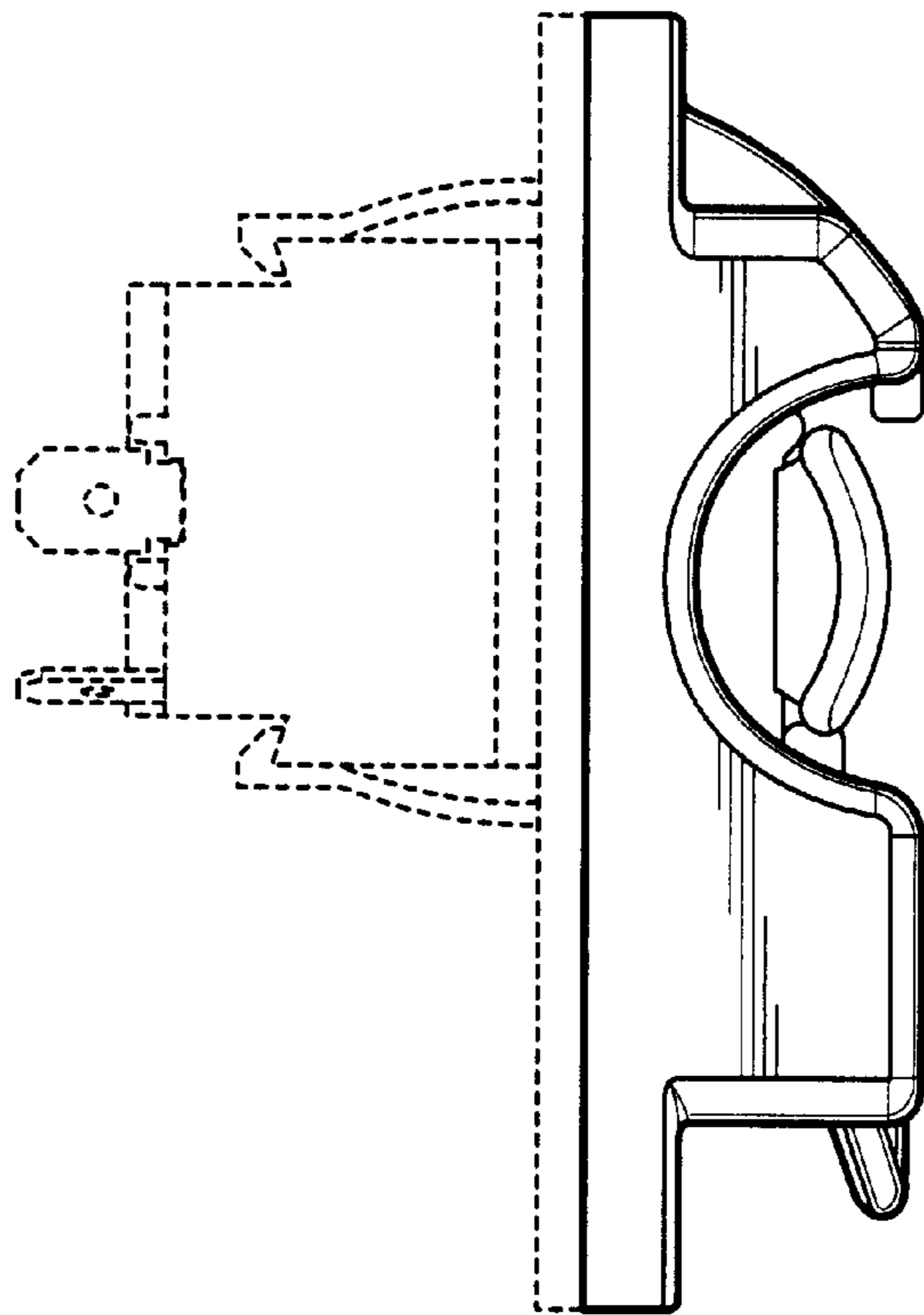
**FIG. 1**



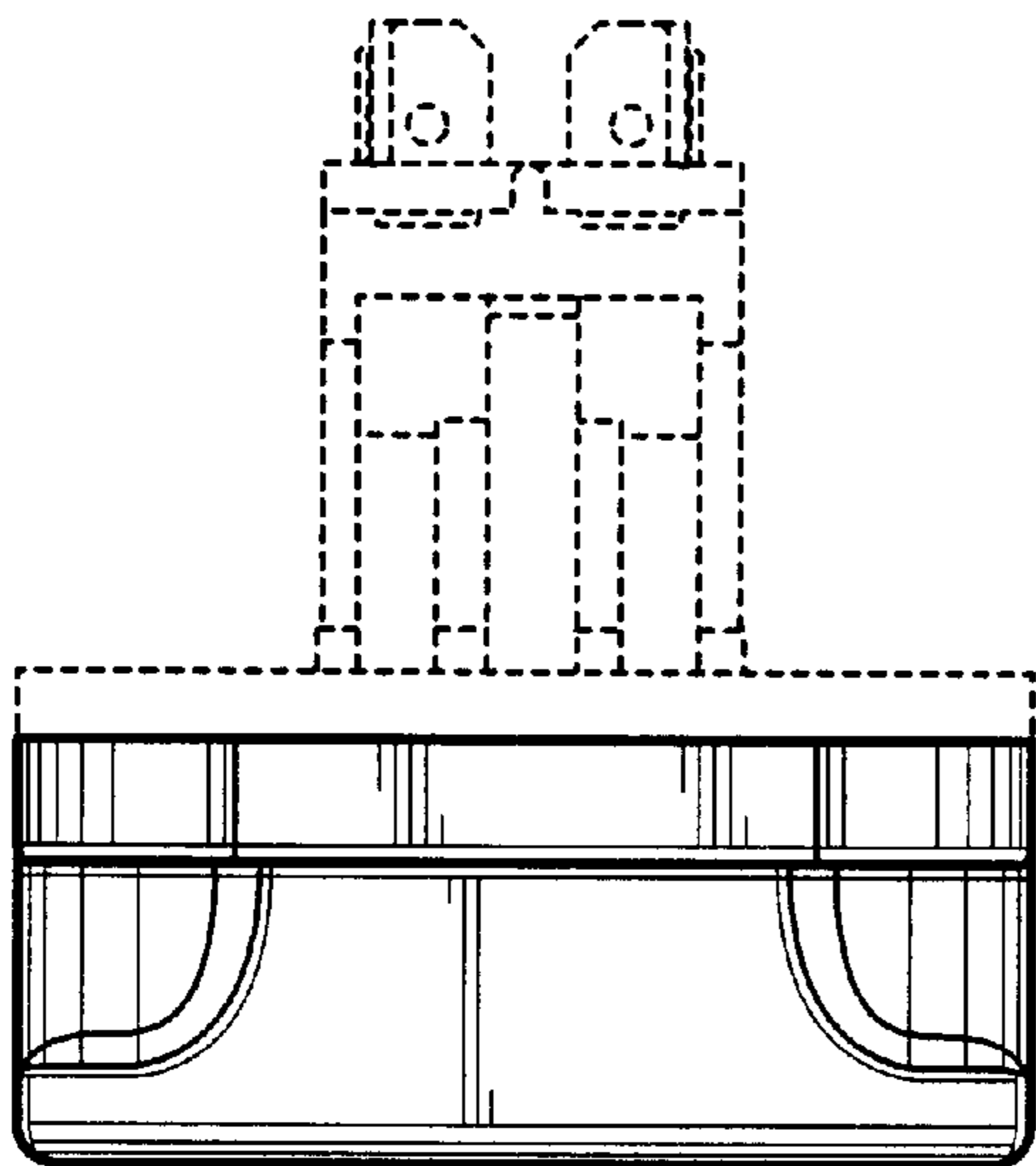
**FIG. 2**



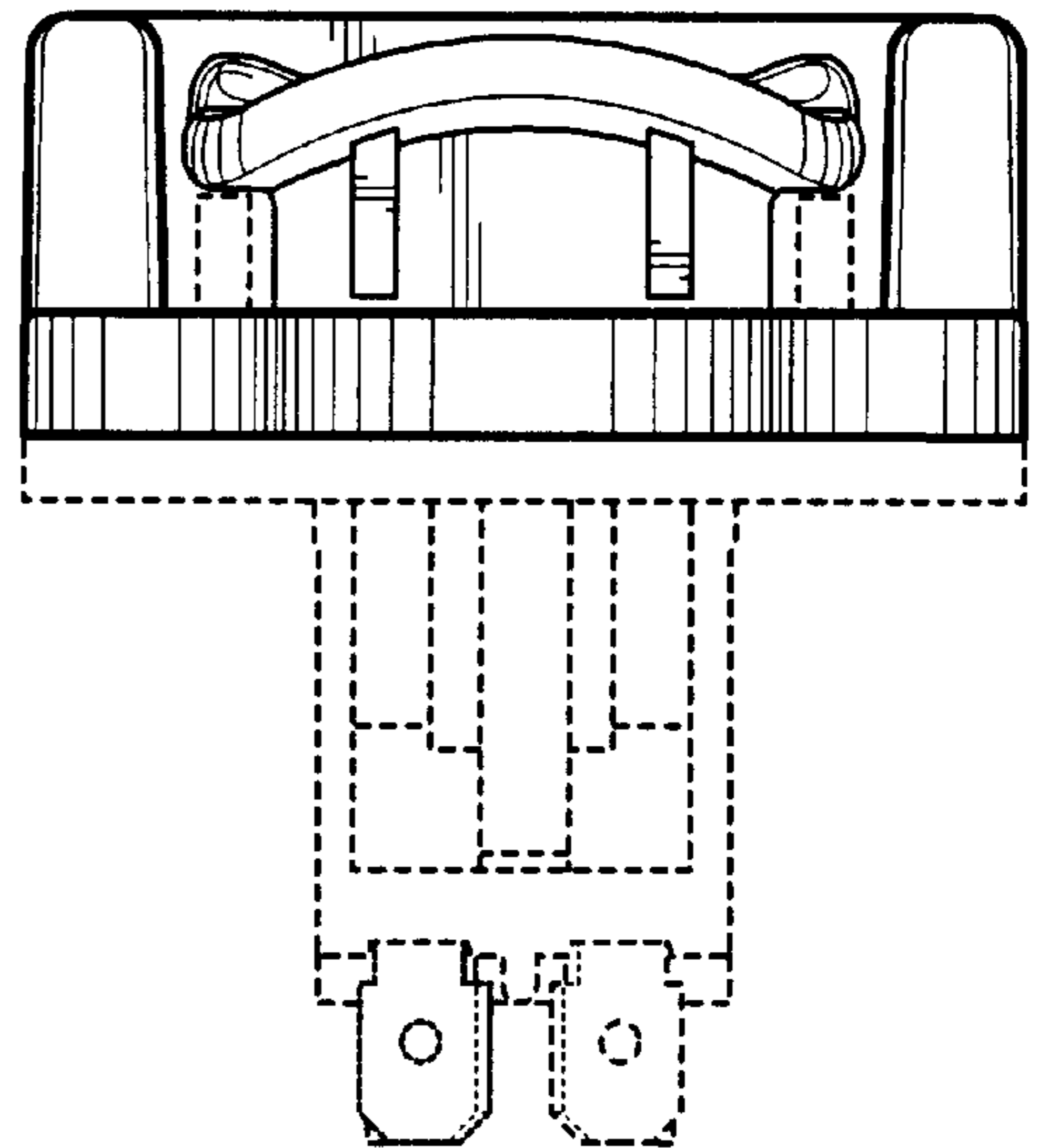
**FIG. 3**



**FIG. 4**



**FIG. 5**



**FIG. 6**