



US00D484099S

(12) **United States Design Patent**
Bettencourt

(10) **Patent No.:** **US D484,099 S**

(45) **Date of Patent:** **** Dec. 23, 2003**

(54) **EIGHT OUTLET POWER STRIP**

(75) Inventor: **Luis A. Bettencourt**, Providence, RI (US)

(73) Assignee: **Tower Manufacturing Corporation**, Providence, RI (US)

(**) Term: **14 Years**

(21) Appl. No.: **29/174,894**

(22) Filed: **Jan. 27, 2003**

(51) **LOC (7) Cl.** **13-03**

(52) **U.S. Cl.** **D13/139.8; D13/139.4**

(58) **Field of Search** **D13/137.4, 139.4, D13/139.6-139.8; 439/107, 650-652; 174/48**

(56) **References Cited**

U.S. PATENT DOCUMENTS

5,008,491	A	*	4/1991	Bowman	174/48
D365,803	S	*	1/1996	Boesel et al.	D13/139.8
D427,973	S	*	7/2000	Giese	D13/139.6
6,200,159	B1	*	3/2001	Chou	439/650
6,305,956	B1	*	10/2001	Deng	D13/139.8
D472,522	S	*	4/2003	MacKay	D13/139.6

* cited by examiner

Primary Examiner—Jennifer Rivard

(74) *Attorney, Agent, or Firm*—Kriegsman & Kriegsman

(57) **CLAIM**

The ornamental design for a eight outlet power strip, as shown and described.

DESCRIPTION

FIG. 1 is a front perspective view of one embodiment of an

eight outlet power strip with outlet covers mounted thereon showing my new design, the opposite perspective view being a mirror image;

FIG. 2 is a front perspective view of the eight outlet power strip shown in FIG. 1 with the outlet covers removed for convenience of illustration;

FIG. 3 is a left side view of the eight outlet power strip shown in FIG. 2;

FIG. 4 is a right side view of the eight outlet power strip shown in FIG. 2;

FIG. 5 is a front view of the eight outlet power strip shown in FIG. 2;

FIG. 6 is a rear view of the eight outlet power strip shown in FIG. 2;

FIG. 7 is a top view of the eight outlet power strip shown in FIG. 2;

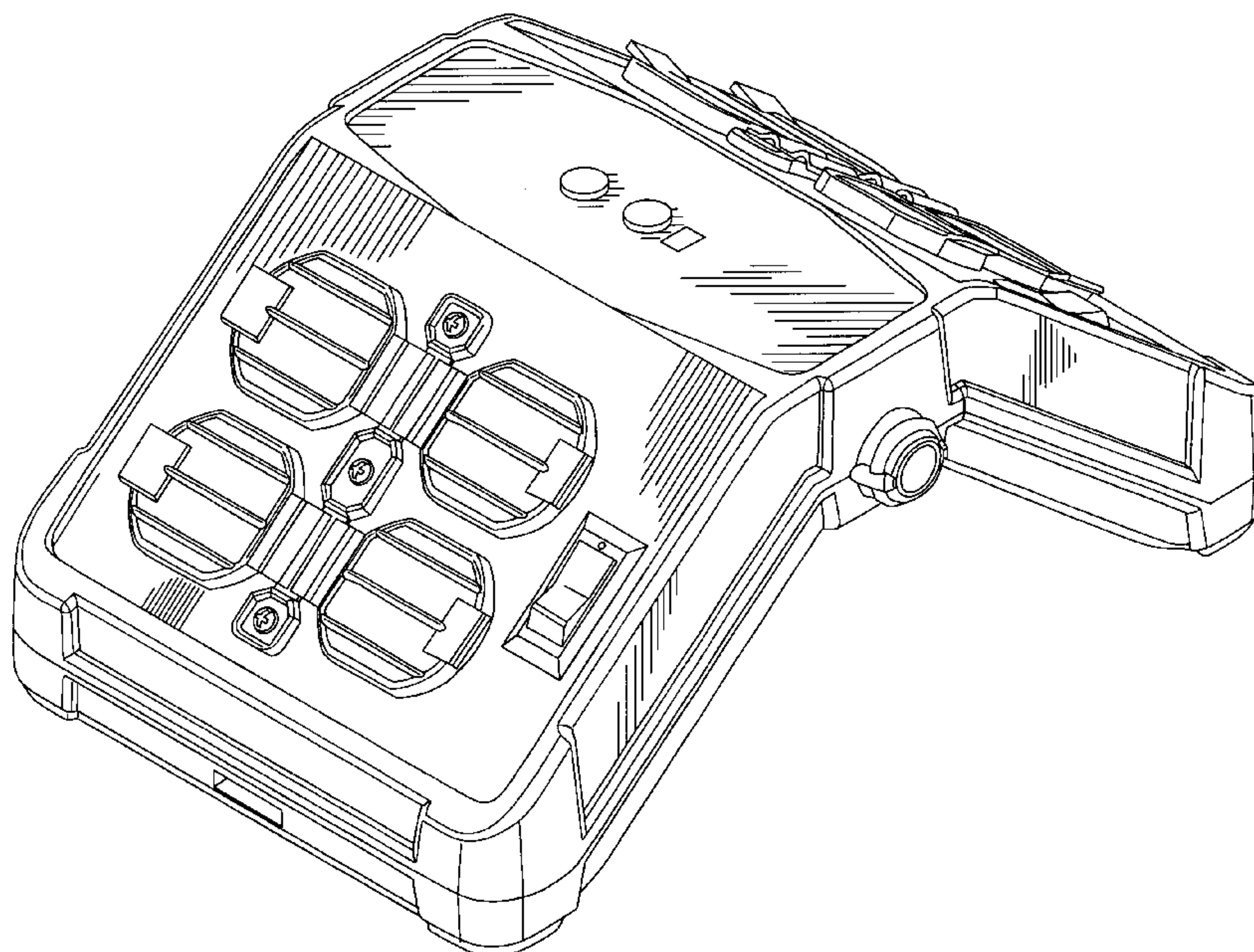
FIG. 8 is a bottom view of the eight outlet power strip shown in FIG. 2;

FIG. 9 is a perspective view of another embodiment of the eight outlet power strip shown in FIG. 1;

FIG. 10 is a perspective view of another embodiment of the eight outlet power strip shown in FIG. 2, the opposite perspective view being a mirror image; and,

FIG. 11 is a perspective view of another embodiment of the eight outlet power strip shown in FIG. 2, the opposite perspective view being a mirror image.

1 Claim, 10 Drawing Sheets



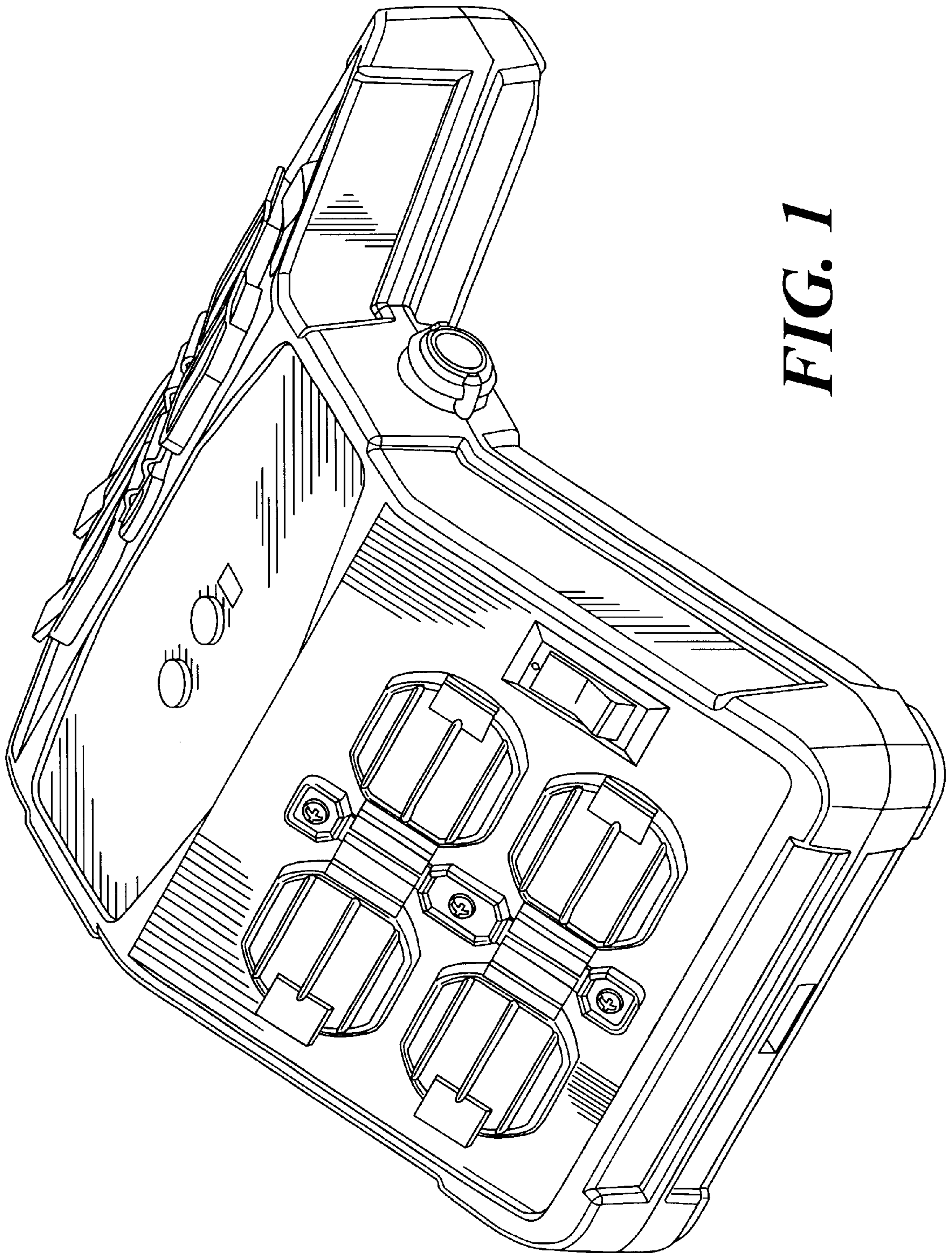


FIG. 1

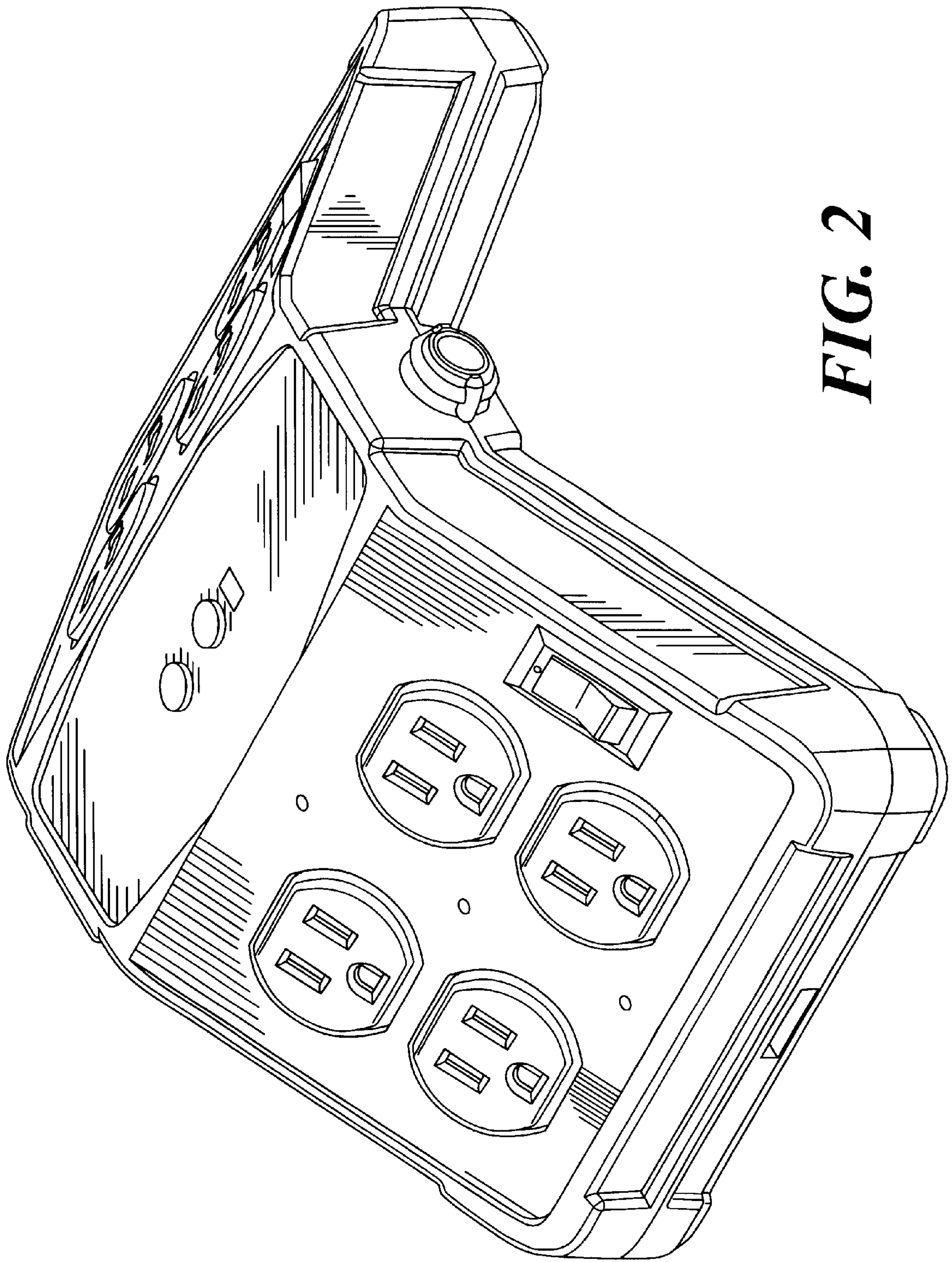


FIG. 2

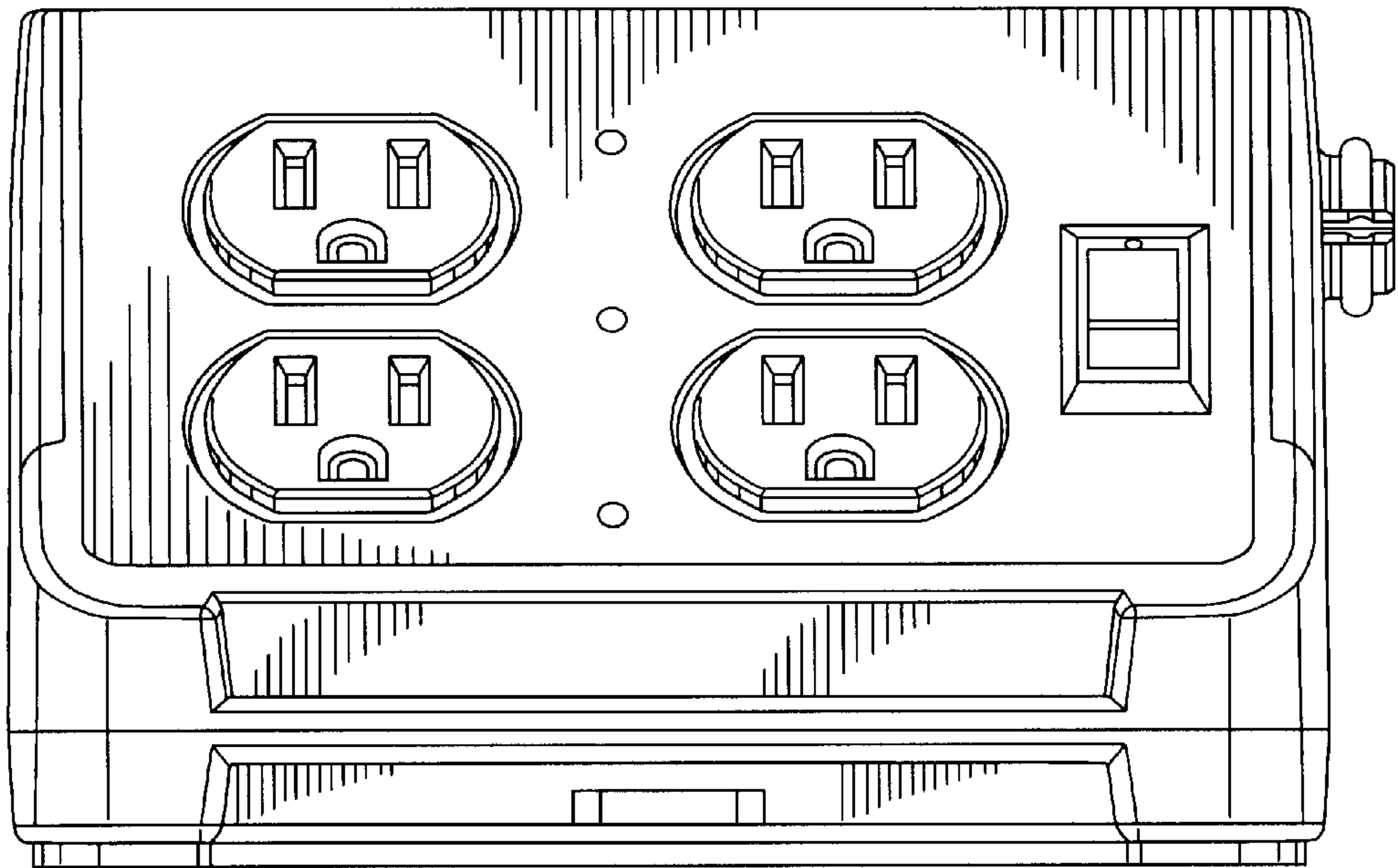


FIG. 3

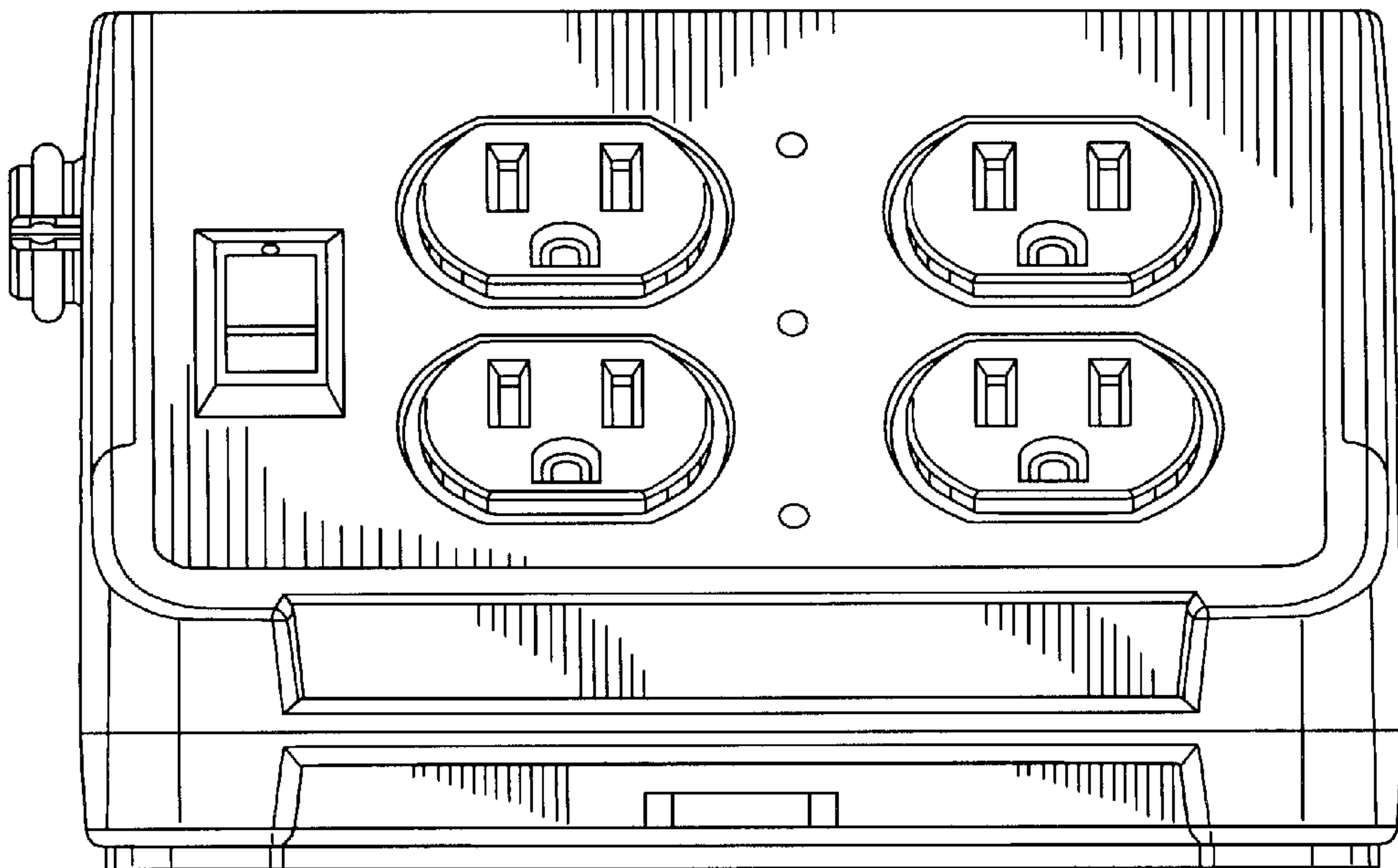


FIG. 4

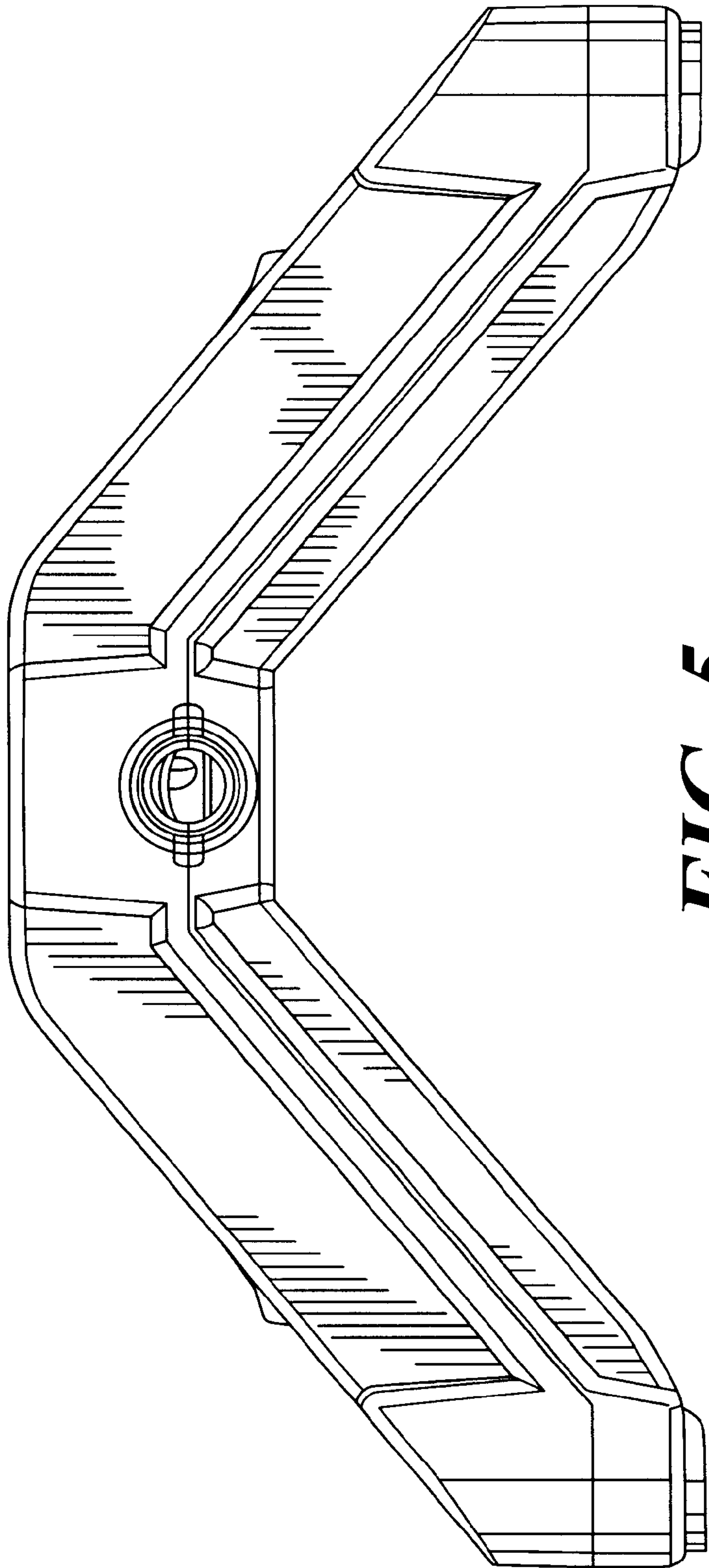


FIG. 5

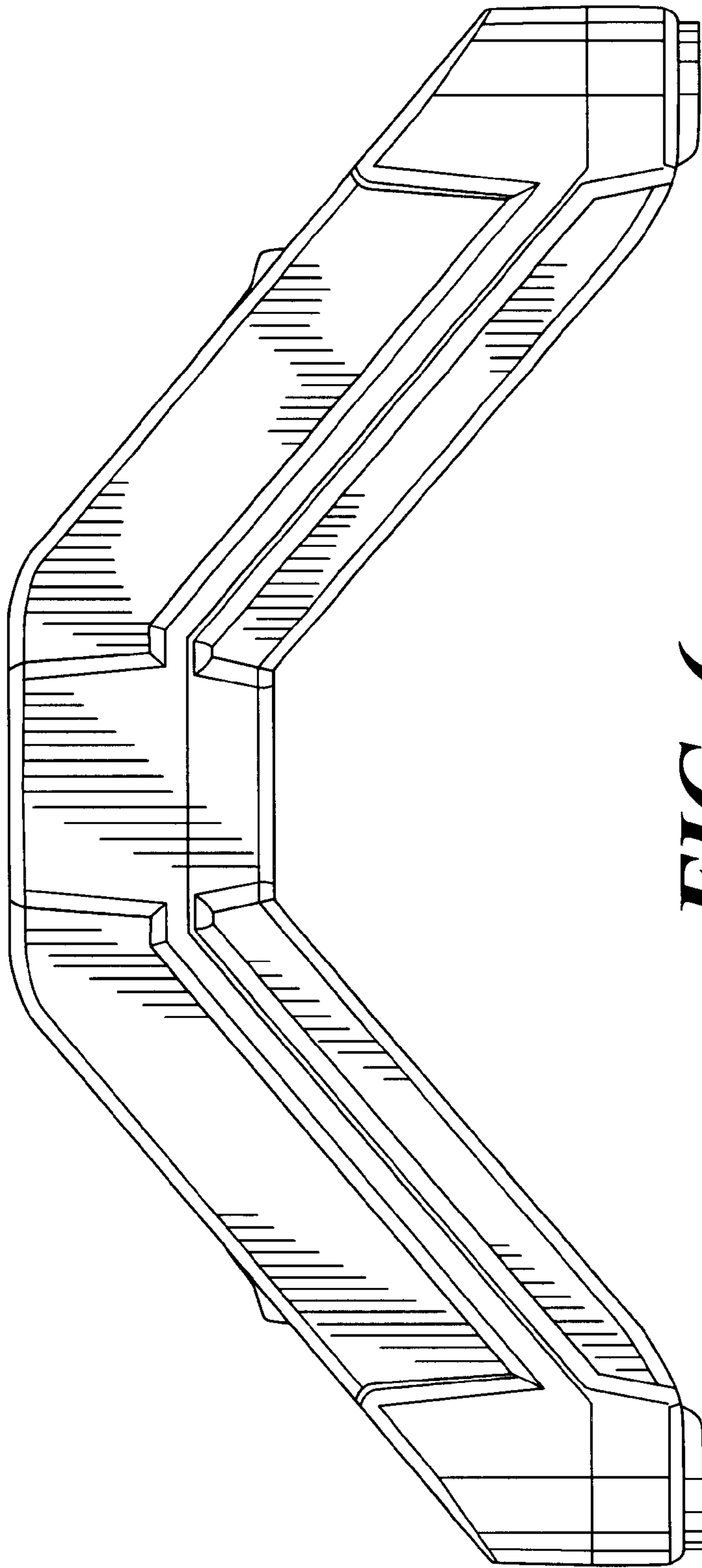


FIG. 6

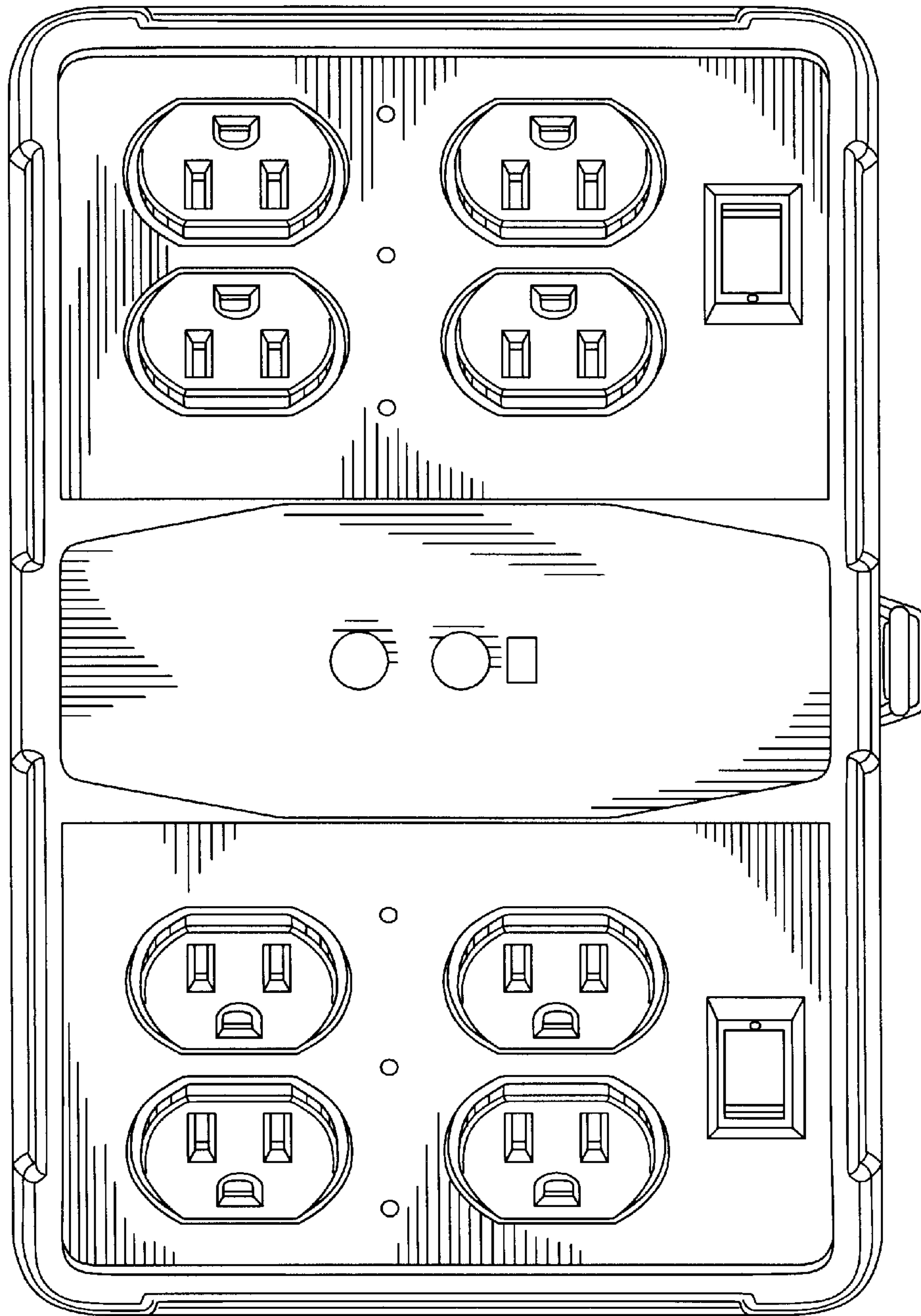


FIG. 7

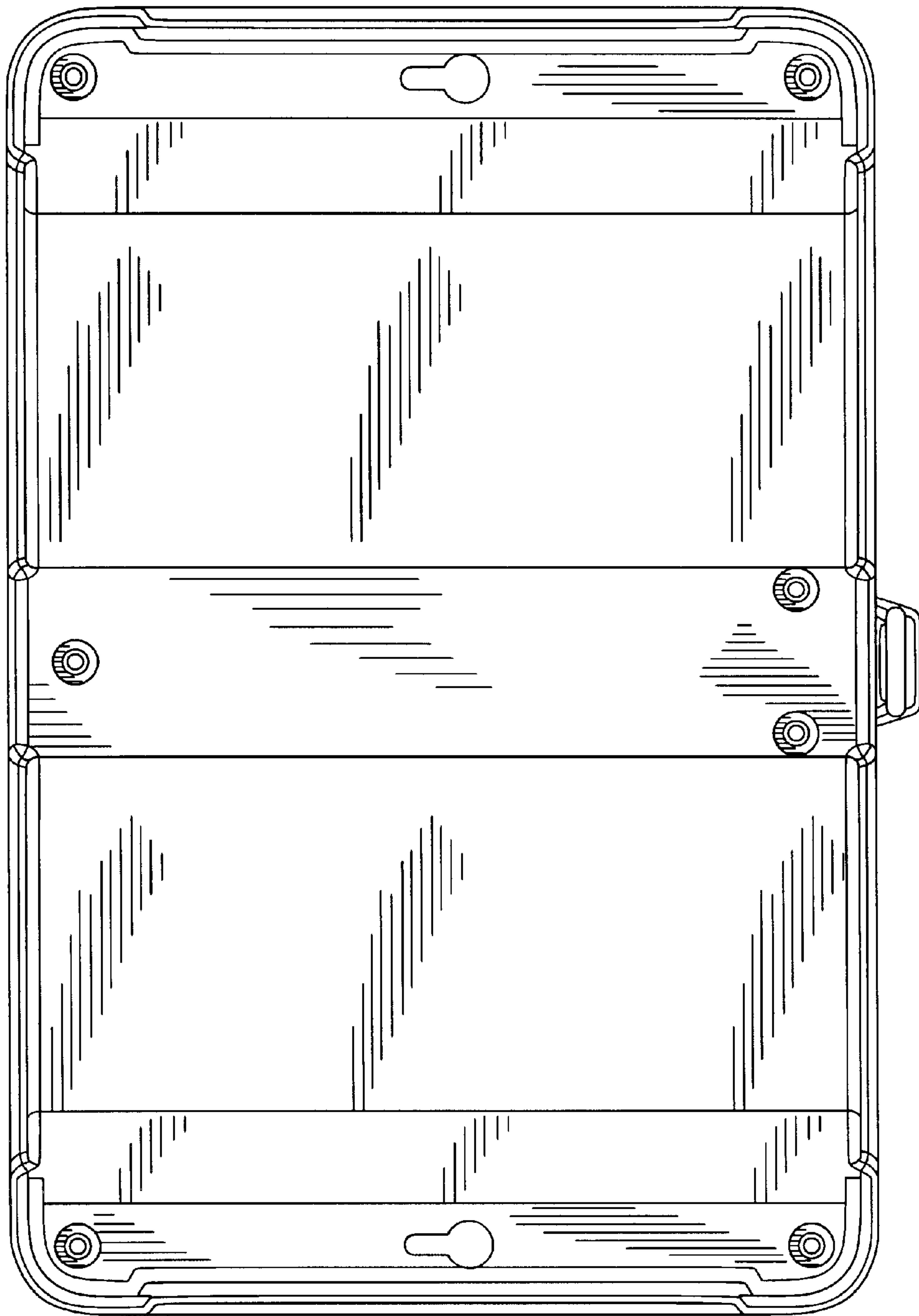


FIG. 8

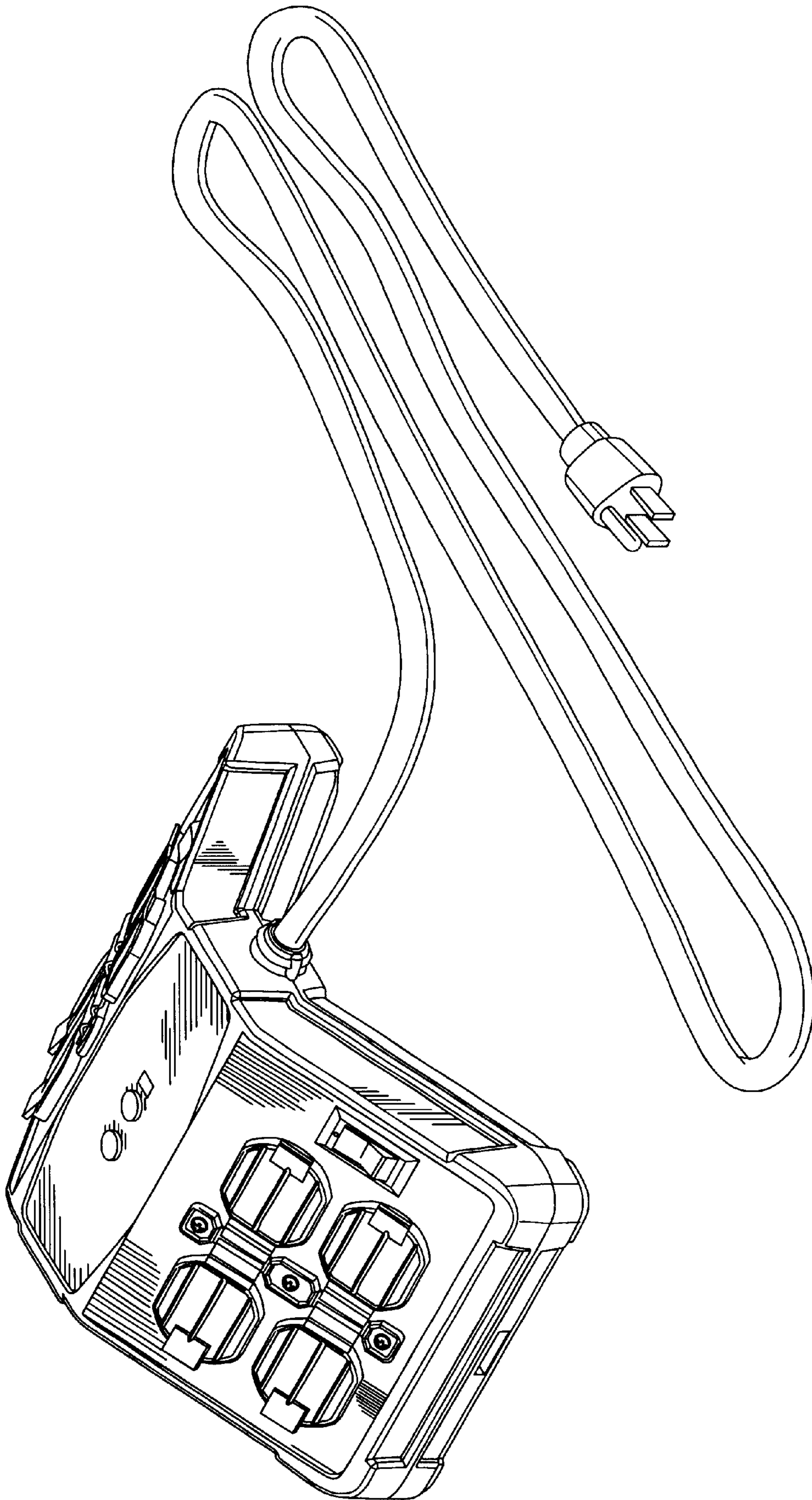


FIG. 9

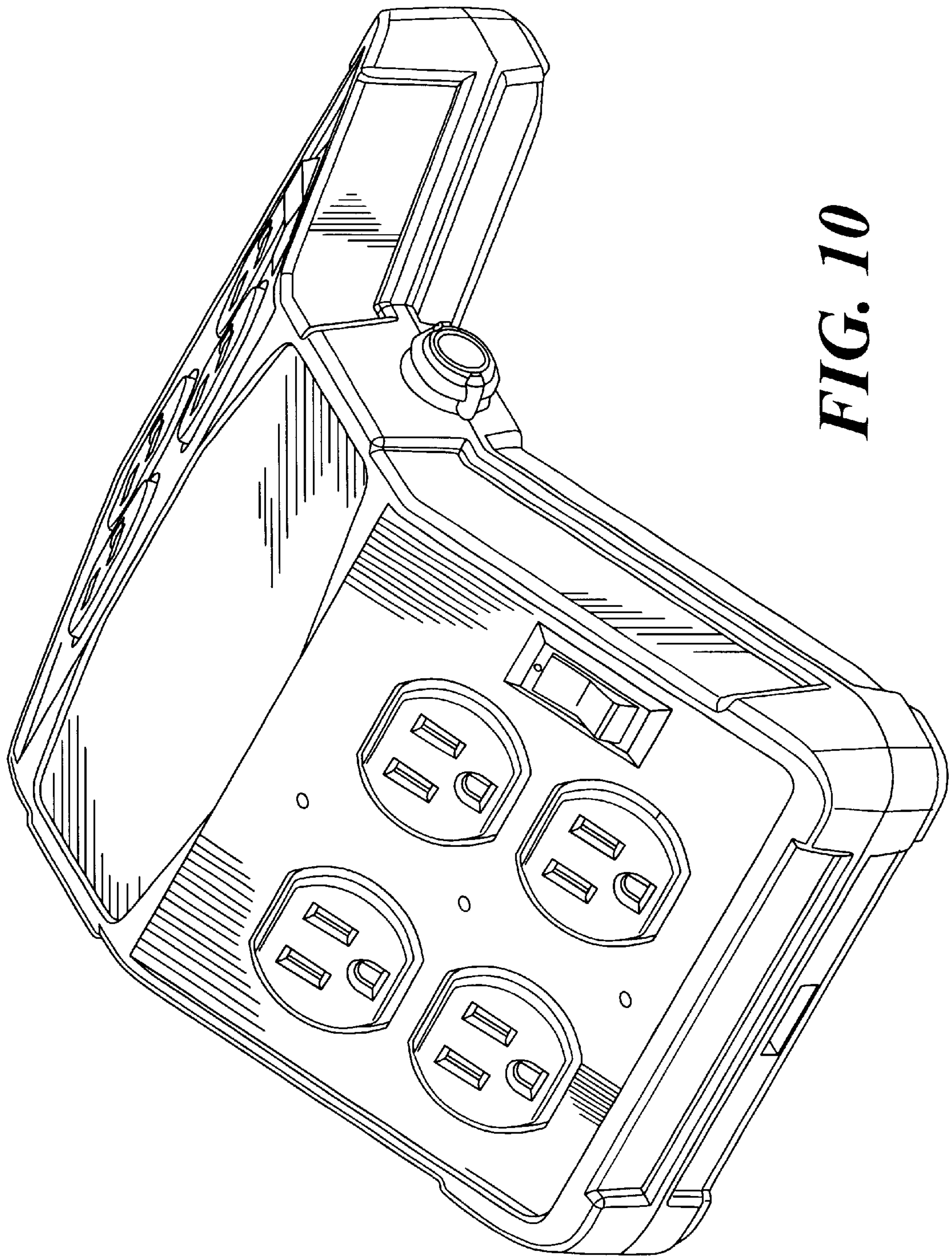


FIG. 10

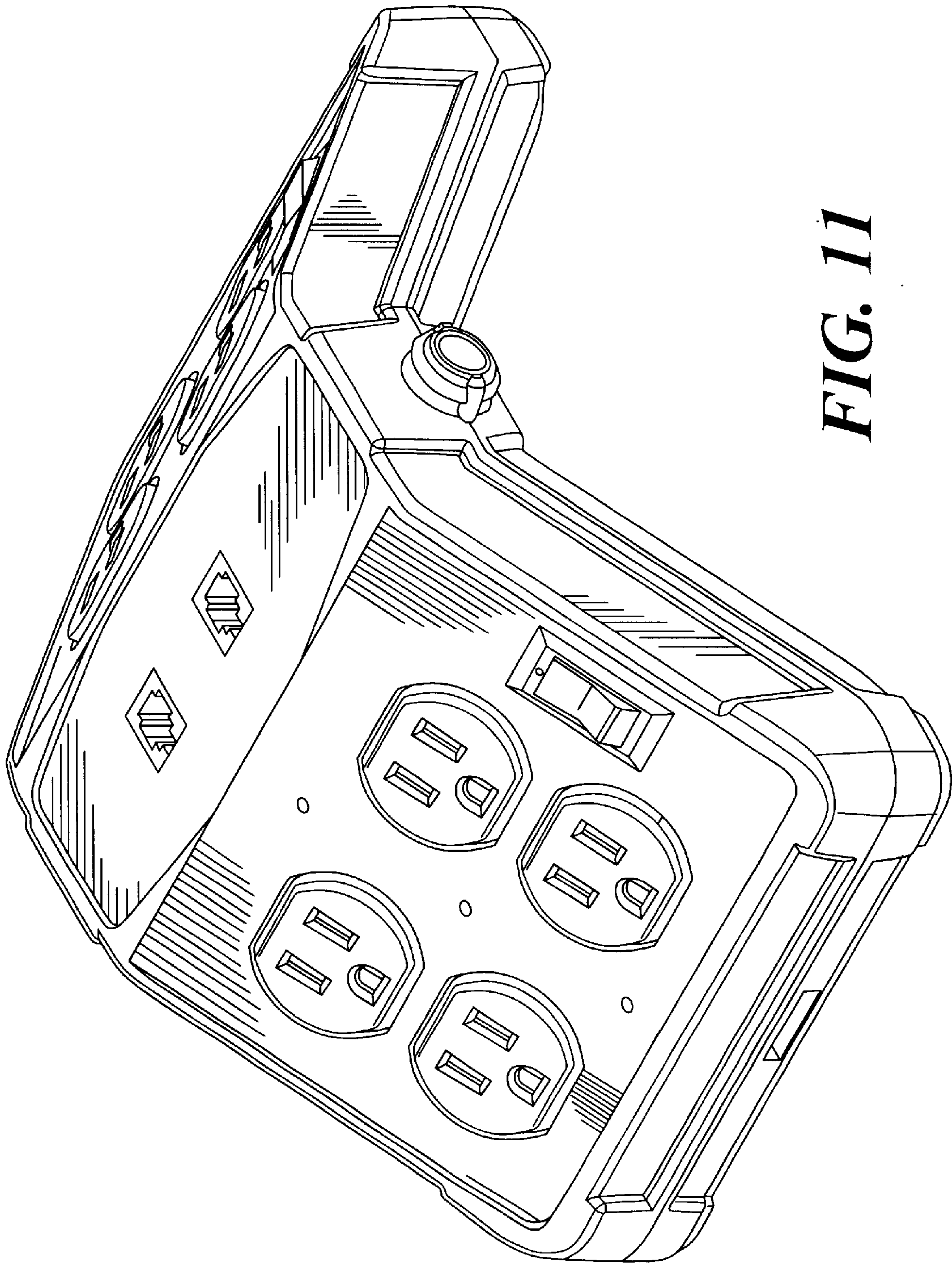


FIG. 11