



US00D484098S

(12) **United States Design Patent** (10) **Patent No.:** **US D484,098 S**  
**Lee** (45) **Date of Patent:** **\*\* Dec. 23, 2003**

(54) **POWER CENTER**

(75) Inventor: **Kendrew Lee**, Fremont, CA (US)

(73) Assignee: **Monster Power (a division of Monster LLC)**, Las Vegas, NV (US)

(\*\*) Term: **14 Years**

(21) Appl. No.: **29/173,956**

(22) Filed: **Jan. 8, 2003**

(51) **LOC (7) Cl.** ..... **13-03**

(52) **U.S. Cl.** ..... **D13/139.8**

(58) **Field of Search** ..... D13/139.1, 139.6,  
D13/139.7, 139.8; 439/620, 650, 651, 652,  
654

(56) **References Cited**

**U.S. PATENT DOCUMENTS**

D350,916 S	*	9/1994	Rossman et al.	.....	D13/139.8
D350,939 S	*	9/1994	Rossman et al.	.....	D13/139.8
D368,467 S	*	4/1996	Parshad	.....	D13/139.8
D368,893 S	*	4/1996	Harwood et al.	.....	D13/139.8
D397,088 S	*	8/1998	Heung et al.	.....	D13/139.6
D409,978 S	*	5/1999	Stekelenburg	.....	D13/139.6
5,984,728 A	*	11/1999	Chen et al.	.....	439/535 X
D446,503 S	*	8/2001	Lee	.....	D13/139.8
D458,225 S	*	6/2002	Stekelenburg	.....	D13/139.8
6,410,994 B1	*	6/2002	Jones et al.	.....	439/369 X
D467,875 S	*	12/2002	Barger et al.	.....	D13/139.8

\* cited by examiner

*Primary Examiner*—Joel Sincavage

(74) *Attorney, Agent, or Firm*—LaRiviere, Grubman & Payne, LLP

(57) **CLAIM**

The ornamental design for a power center, as shown and described.

**DESCRIPTION**

A portion of the disclosure of this design patent document contains material which is subject to copyright protection.

The copyright owner has no objection to the facsimile reproduction by anyone of the patent document or the patent disclosure, as it appears in the U.S. Patent and Trademark Office patent files or records, but otherwise reserves all copyright rights whatsoever.

FIG. 1 is a perspective view of a first embodiment of a power center, in accordance with the present invention.

FIG. 2 is a top view of a first embodiment of a power center, in accordance with the present invention.

FIG. 3 is a bottom view of a first embodiment of a power center, in accordance with the present invention.

FIG. 4 is a side view of a first embodiment of a power center, in accordance with the present invention.

FIG. 5 is a corresponding side view of a first embodiment of a power center, in accordance with the present invention.

FIG. 6 is a rear view of a first embodiment of a power center, in accordance with the present invention.

FIG. 7 is a front view of a first embodiment of a power center, in accordance with the present invention.

FIG. 8 is a perspective view of a second embodiment of a power center, in accordance with the present invention.

FIG. 9 is a top view of a second embodiment of a power center, in accordance with the present invention.

FIG. 10 is a bottom view of a second embodiment of a power center, in accordance with the present invention.

FIG. 11 is a side view of a second embodiment of a power center, in accordance with the present invention.

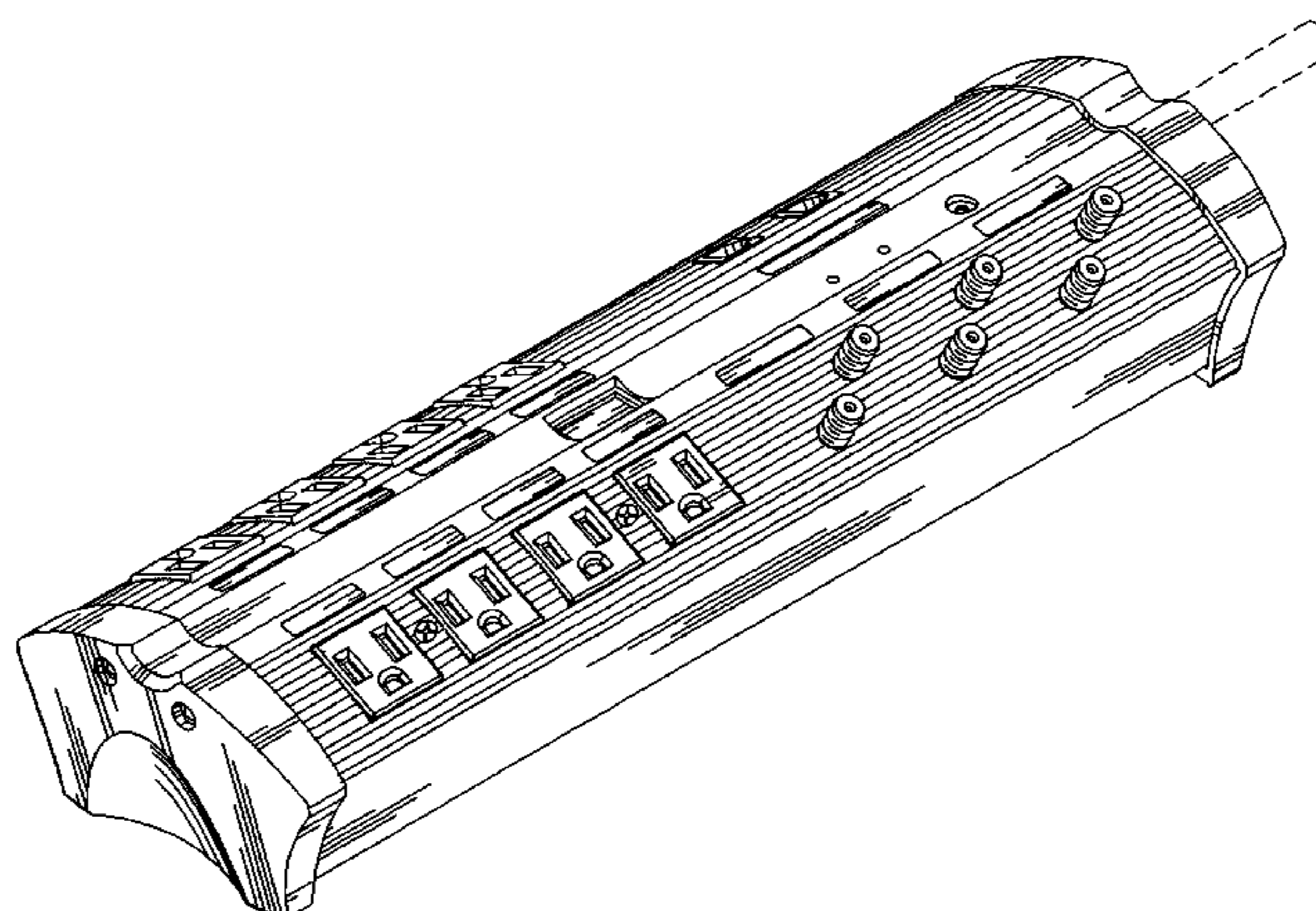
FIG. 12 is a corresponding side view of a second embodiment of a power center, in accordance with the present invention.

FIG. 13 is a rear view of a second embodiment of a power center, in accordance with the present invention.

FIG. 14 is a front view of a second embodiment of a power center, in accordance with the present invention.

The broken lines are for illustrative purposes only and forms no part of the claimed design.

**1 Claim, 8 Drawing Sheets**



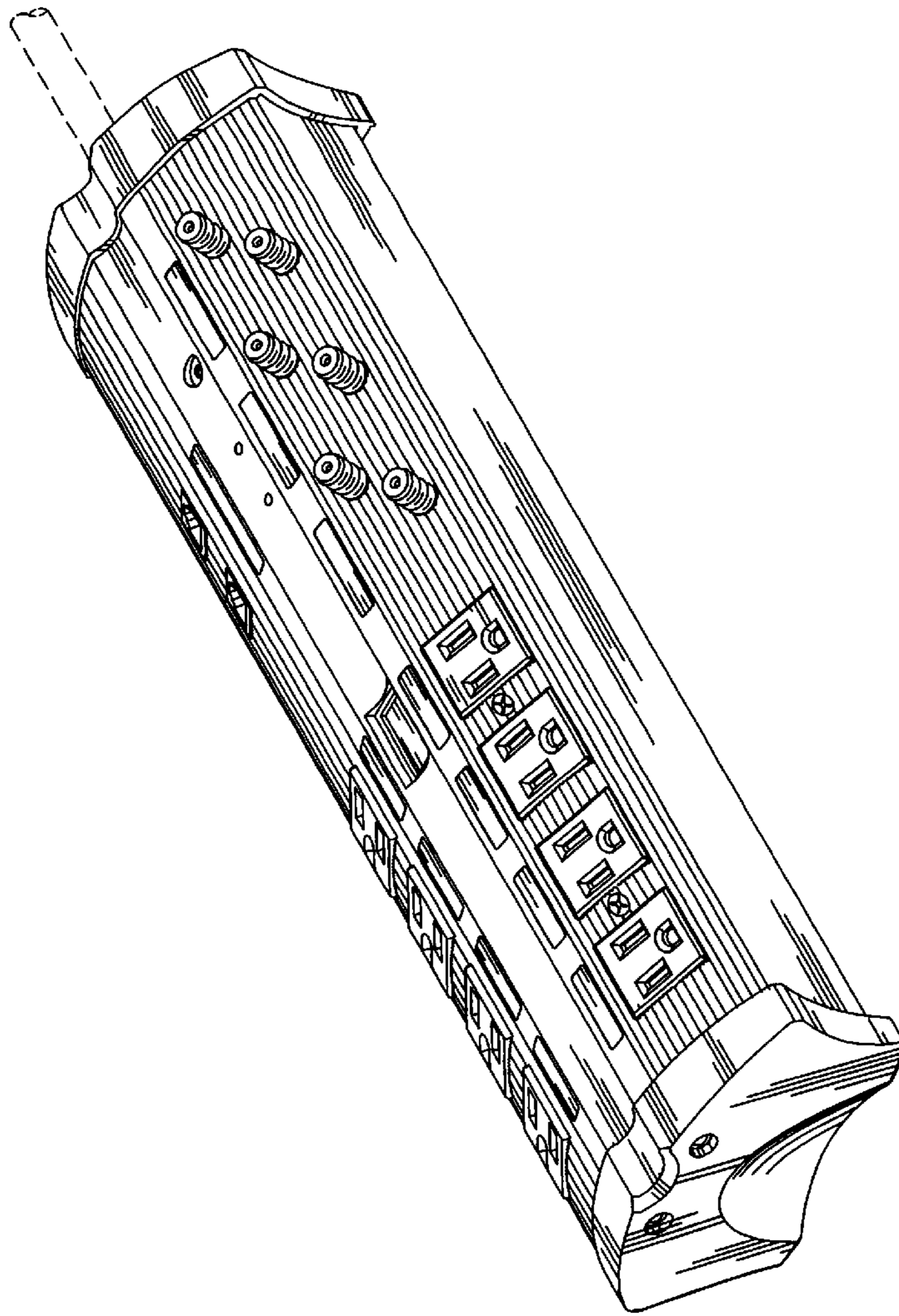


Figure 1

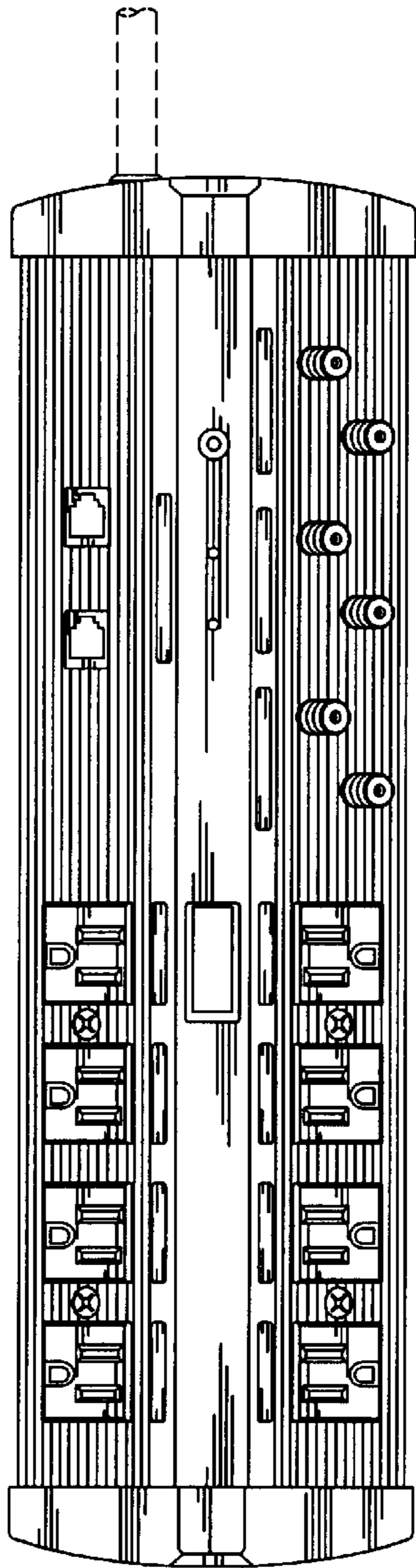


Figure 2

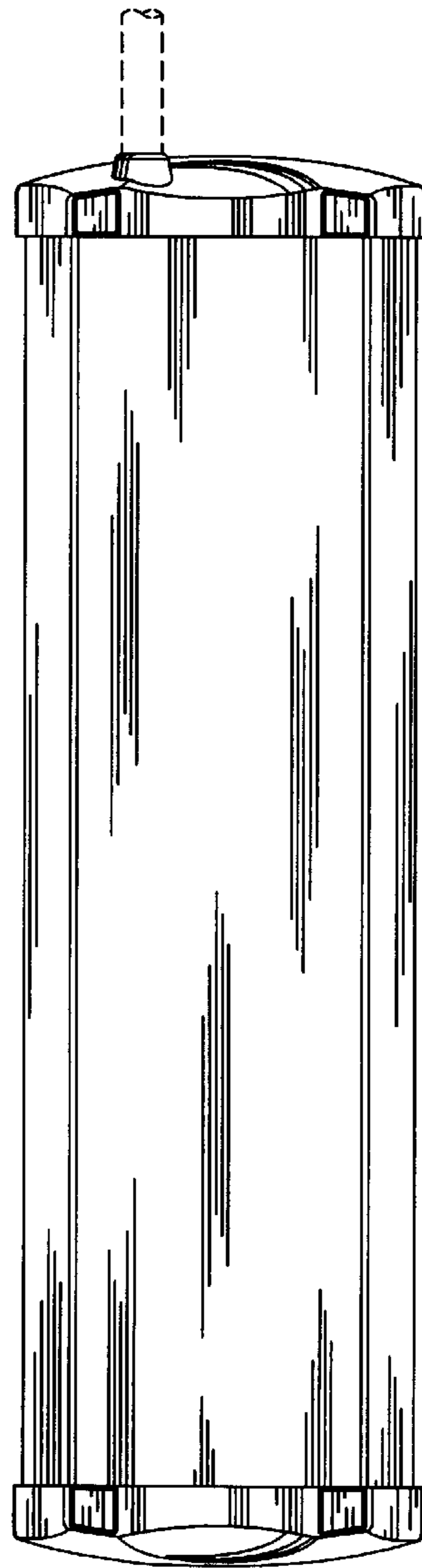


Figure 3

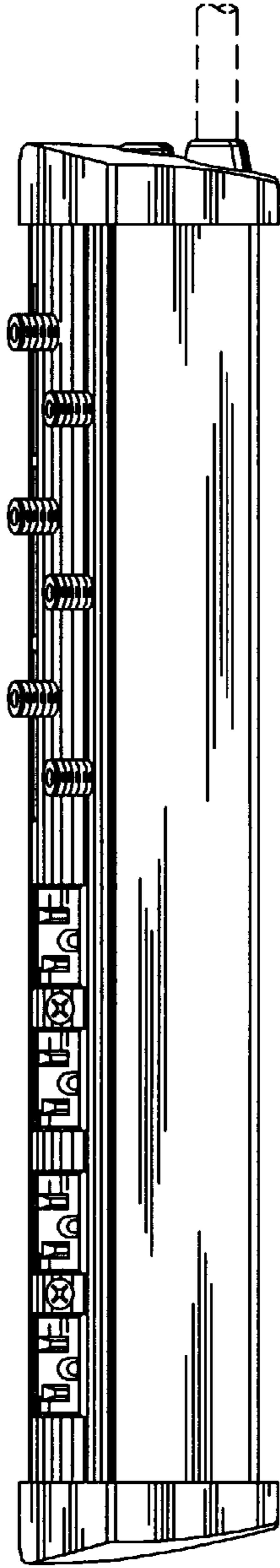


Figure 4

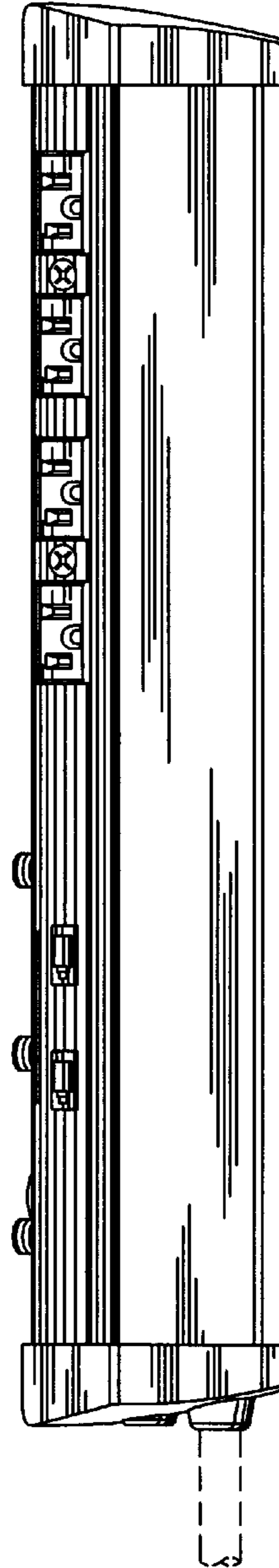


Figure 5

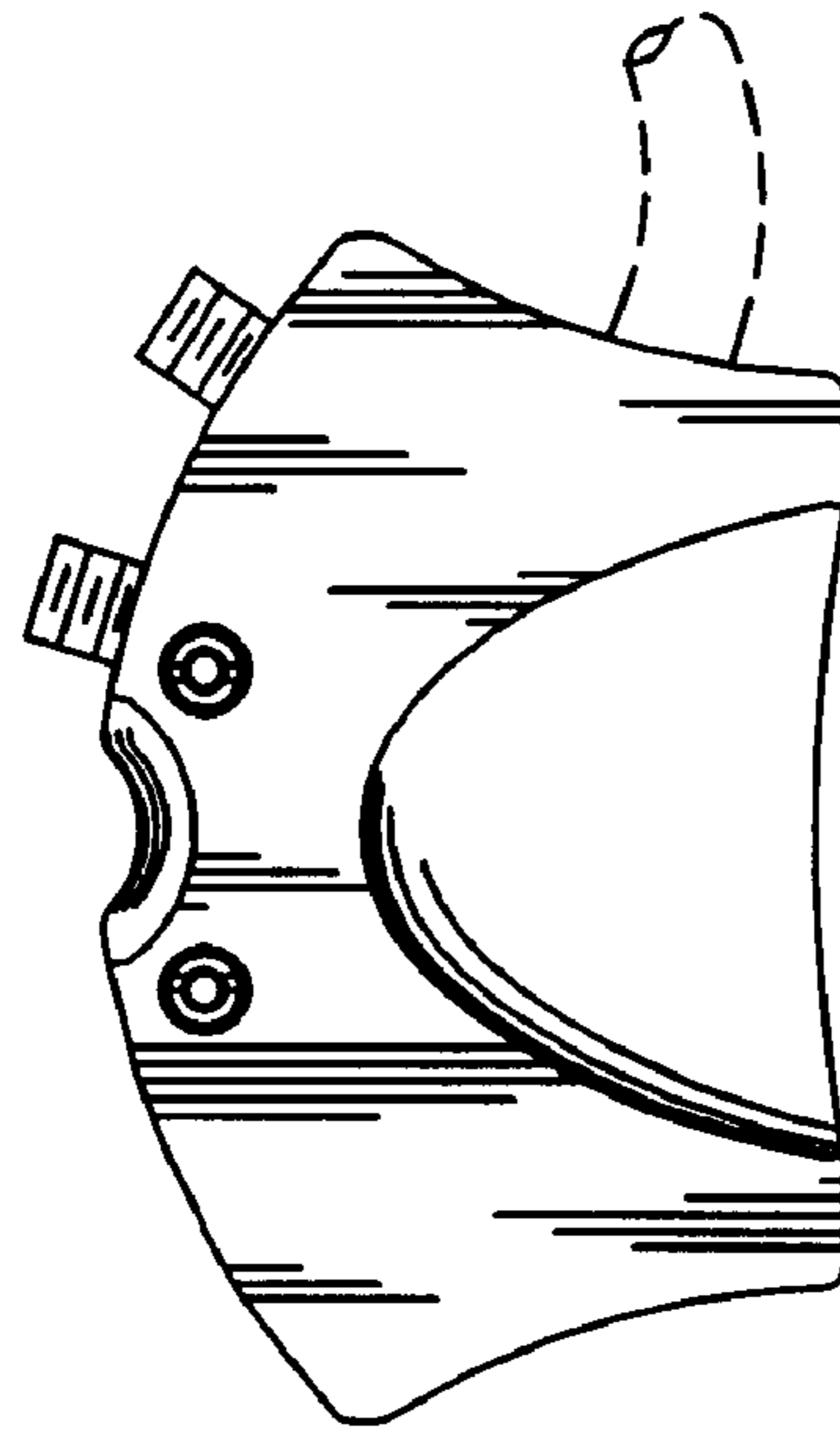


Figure 7

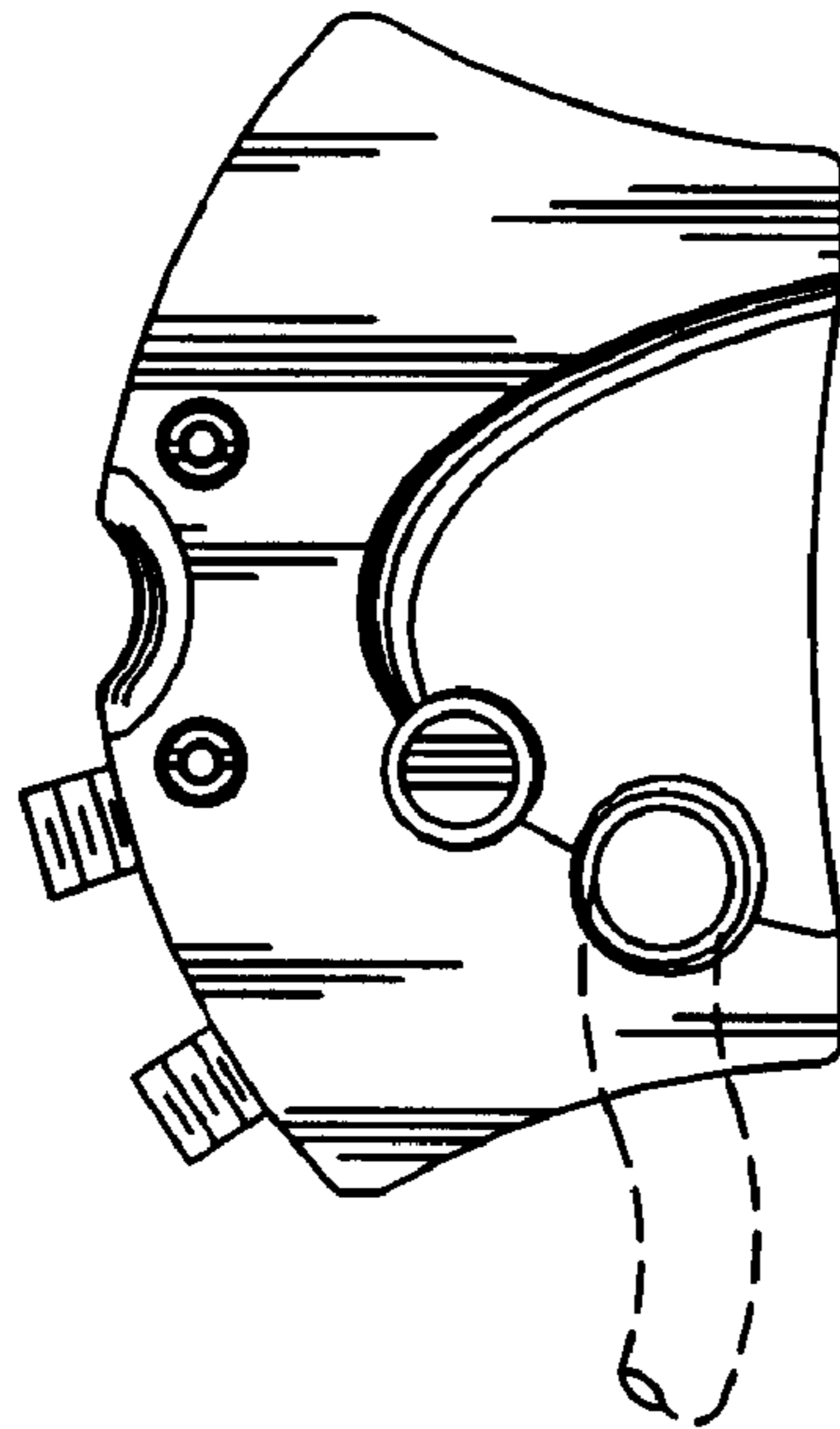


Figure 6

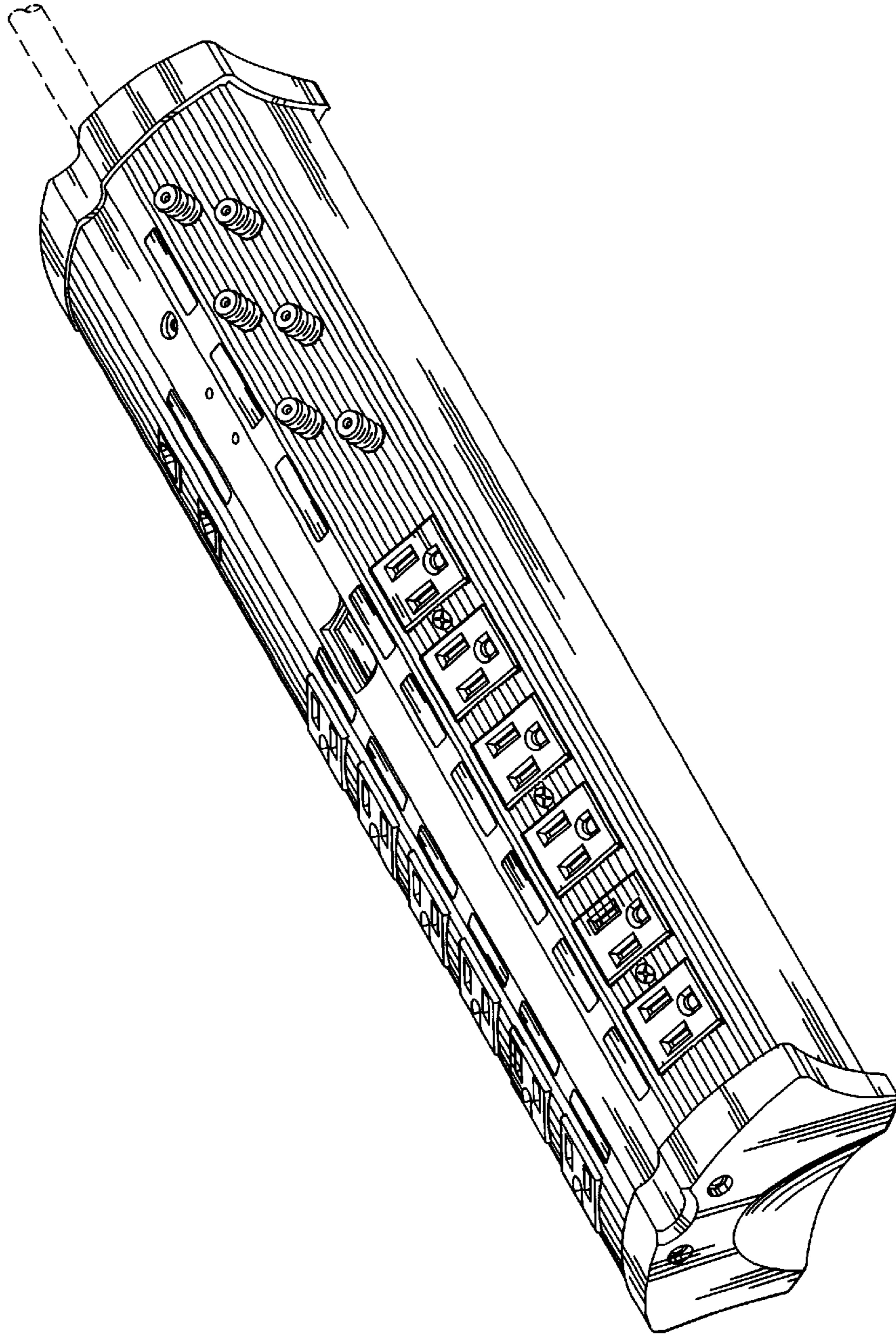


Figure 8

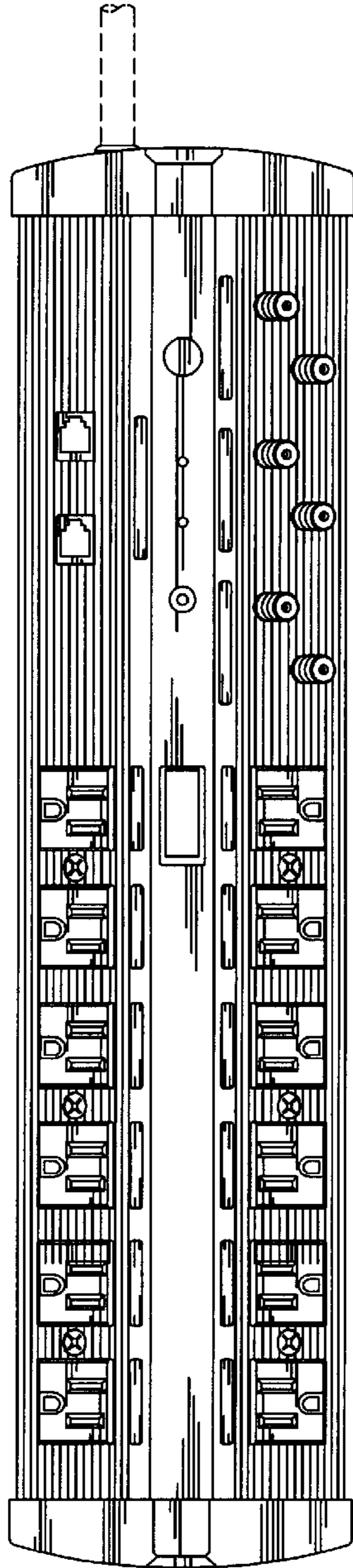


Figure 9

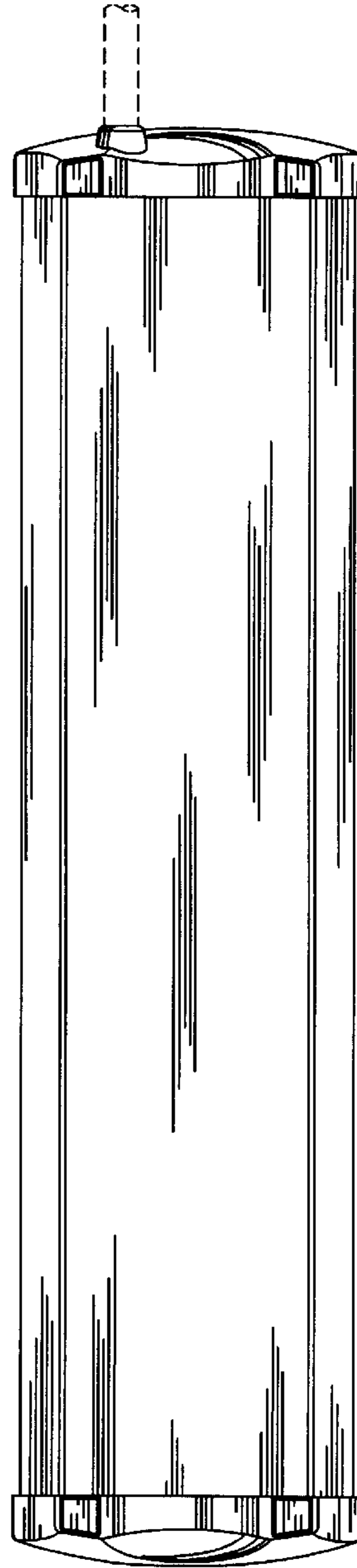


Figure 10

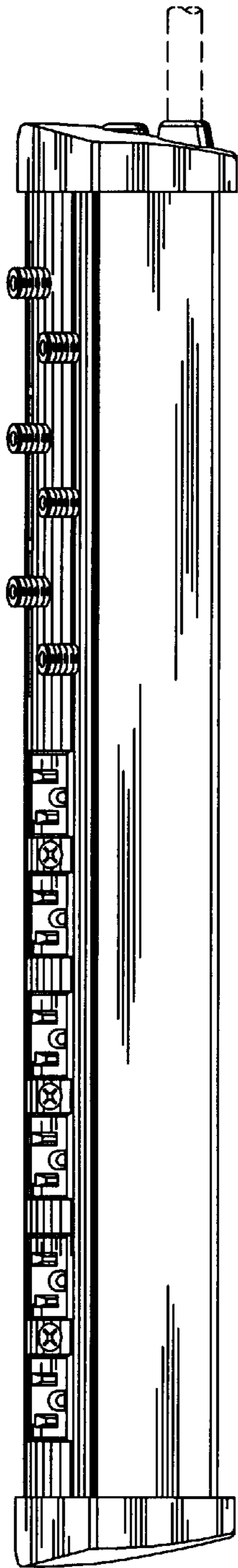


Figure 11

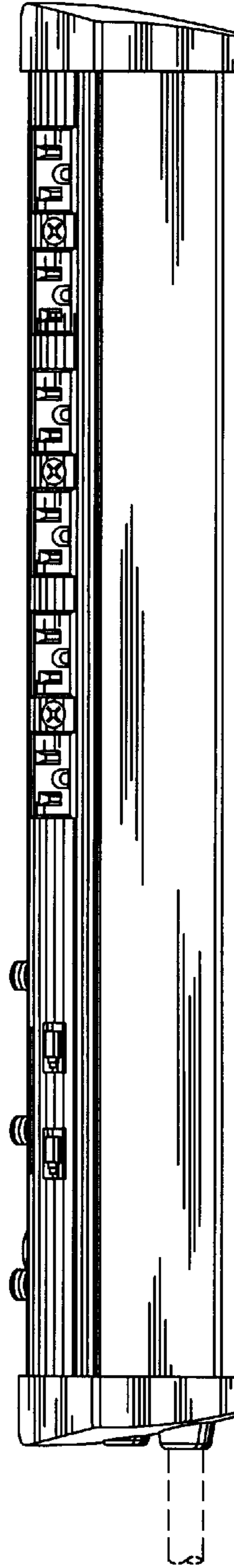


Figure 12



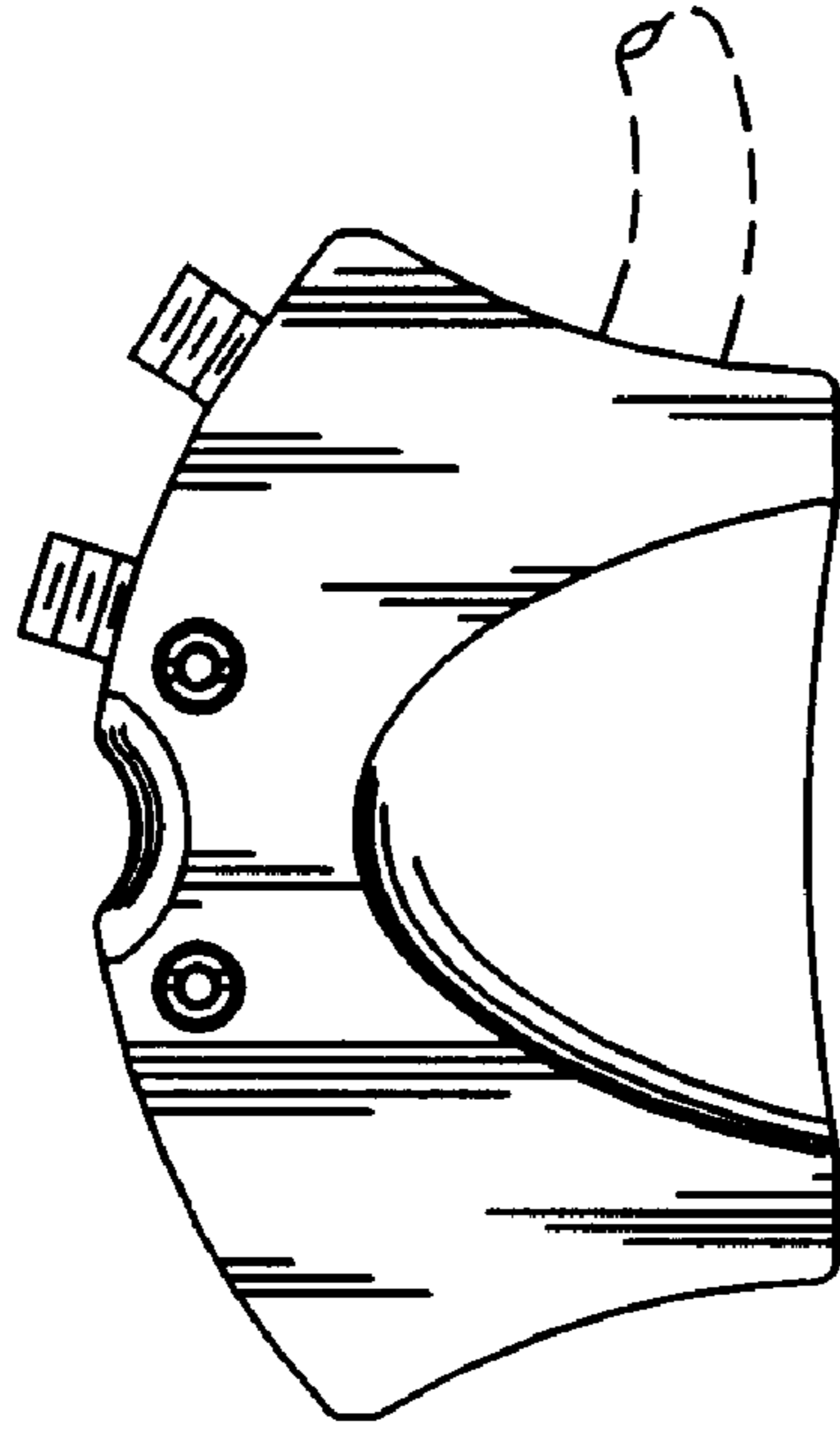


Figure 14

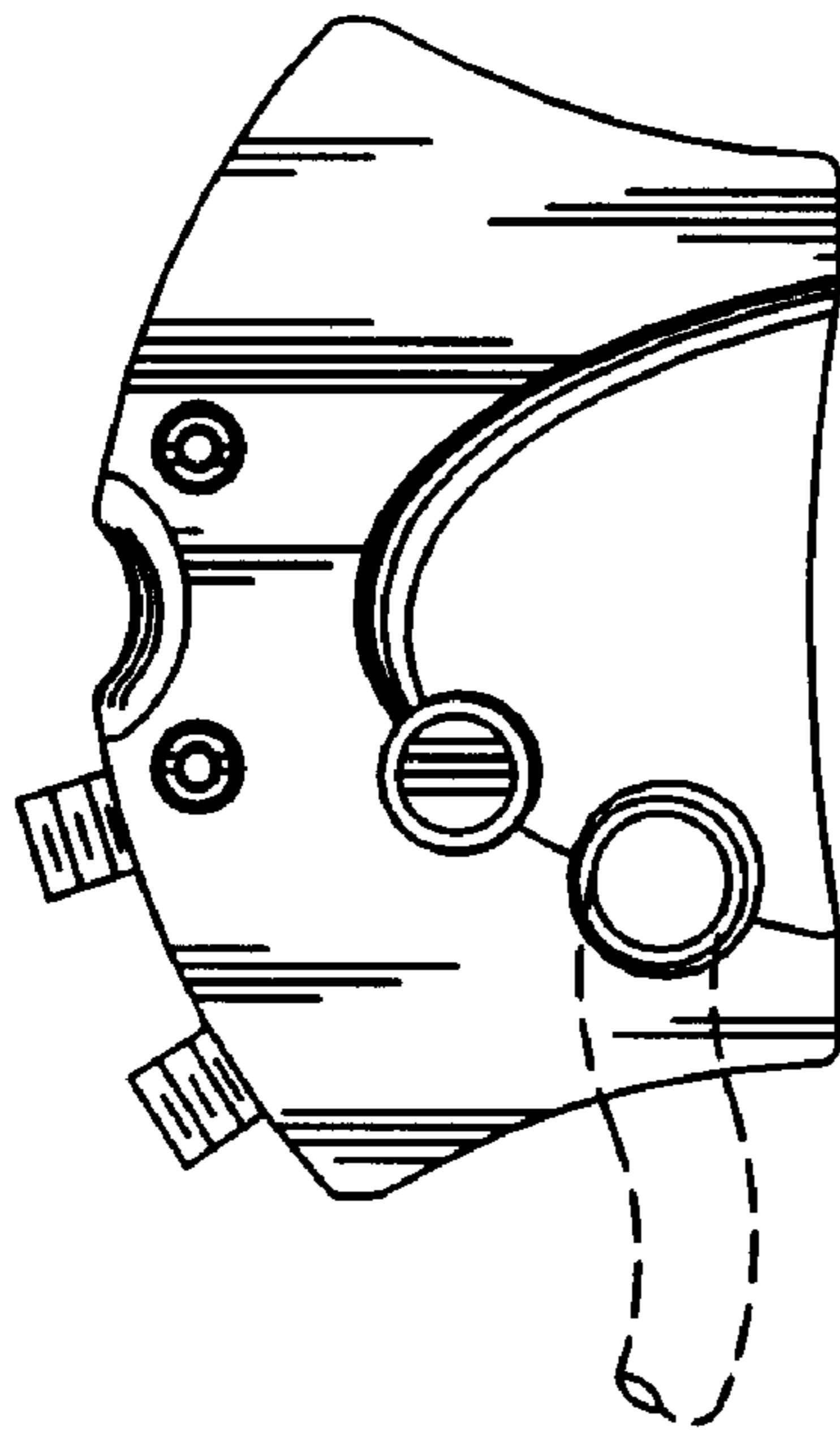


Figure 13