



US00D484097S

(12) **United States Design Patent**
Drane et al.

(10) **Patent No.:** **US D484,097 S**
(45) **Date of Patent:** **** Dec. 23, 2003**

(54) **ACCESS FLOOR MODULE**
(75) Inventors: **Mark R. Drane**, Germantown, TN
(US); **Daniel K. Michaelis**, Cordova,
TN (US)
(73) Assignee: **Thomas & Betts International, Inc.**,
Sparks, NV (US)
(**) Term: **14 Years**

(21) Appl. No.: **29/179,459**
(22) Filed: **Apr. 10, 2003**

(65) **Prior Publication Data**
(65)
(51) **LOC (7) Cl.** **13-03**
(52) **U.S. Cl.** **D13/139.4; D13/152; D13/156**
(58) **Field of Search** **D13/139.4, 152;**
439/131, 142, 536; 220/3.8; 174/48, 50,
53

(56) **References Cited**
U.S. PATENT DOCUMENTS
3,960,430 A * 6/1976 Bunnell et al. 174/48
4,443,654 A 4/1984 Flachbarth et al.
4,463,998 A * 8/1984 Reavis et al. 439/137
4,883,924 A 11/1989 Hadfield
5,010,211 A 4/1991 Bartee
5,032,690 A 7/1991 Bloom
5,160,808 A 11/1992 Hadfield
5,195,288 A 3/1993 Penczak
5,272,278 A 12/1993 Wuertz
5,342,993 A 8/1994 Siems
5,393,930 A 2/1995 Wuertz
5,410,103 A 4/1995 Wuertz
5,422,434 A 6/1995 Wuertz et al.
5,466,886 A 11/1995 Lengyel et al.
5,575,668 A 11/1996 Timmerman
5,696,349 A 12/1997 Bera
5,747,732 A 5/1998 Bera et al.
5,763,826 A 6/1998 Castellani et al.
5,783,774 A 7/1998 Bowman et al.
5,906,517 A * 5/1999 Crane et al. 439/654
6,018,126 A 1/2000 Castellani et al.

6,046,405 A 4/2000 Obermann
6,114,623 A 9/2000 Bonilla et al.
6,175,078 B1 1/2001 Bambardekar et al.
6,179,634 B1 * 1/2001 Hull et al. 439/142
6,265,662 B1 7/2001 Riedy et al.
6,307,152 B1 10/2001 Bonilla et al.
6,395,978 B1 5/2002 Whitehead et al.
6,417,446 B1 * 7/2002 Whitehead 174/48
6,462,277 B1 * 10/2002 Young et al. 174/66
D467,230 S * 12/2002 Byrne D13/156
D473,516 S * 4/2003 Gresham et al. D13/139.4
6,545,215 B2 * 4/2003 Young et al. 174/48
6,551,130 B2 * 4/2003 Bonilla 439/535
6,552,262 B2 * 4/2003 English et al. 174/48

OTHER PUBLICATIONS

TradeMaster® Floor Box and Covers, *Pass & Seymour legrand®*, catalog description of Floor Box Covers (1999).
Thomas & Betts Electrical Components, Products and Systems *Technical/Specification Catalog* Electrical Components Division, catalog pp. J/830–J/867; J/897–J/900; M/990–M/996 (1994).

* cited by examiner

Primary Examiner—Joel Sincavage
(74) *Attorney, Agent, or Firm*—Hoffmann & Baron, LLP

(57) **CLAIM**

The ornamental design of an access floor module, as shown and described.

DESCRIPTION

FIG. 1 is a top perspective view of access floor module showing the new design;
FIG. 2 is a bottom perspective view thereof;
FIG. 3 is a top plan view thereof;
FIG. 4 is a front elevational view thereof;
FIG. 5 is an elevational view of the right side thereof with the left side being a mirror image;
FIG. 6 is an elevational view of the rear side thereof; and,
FIG. 7 is an elevational view of the bottom thereof.
The features in the drawings shown in broken lines form no part of the claimed invention.

1 Claim, 6 Drawing Sheets

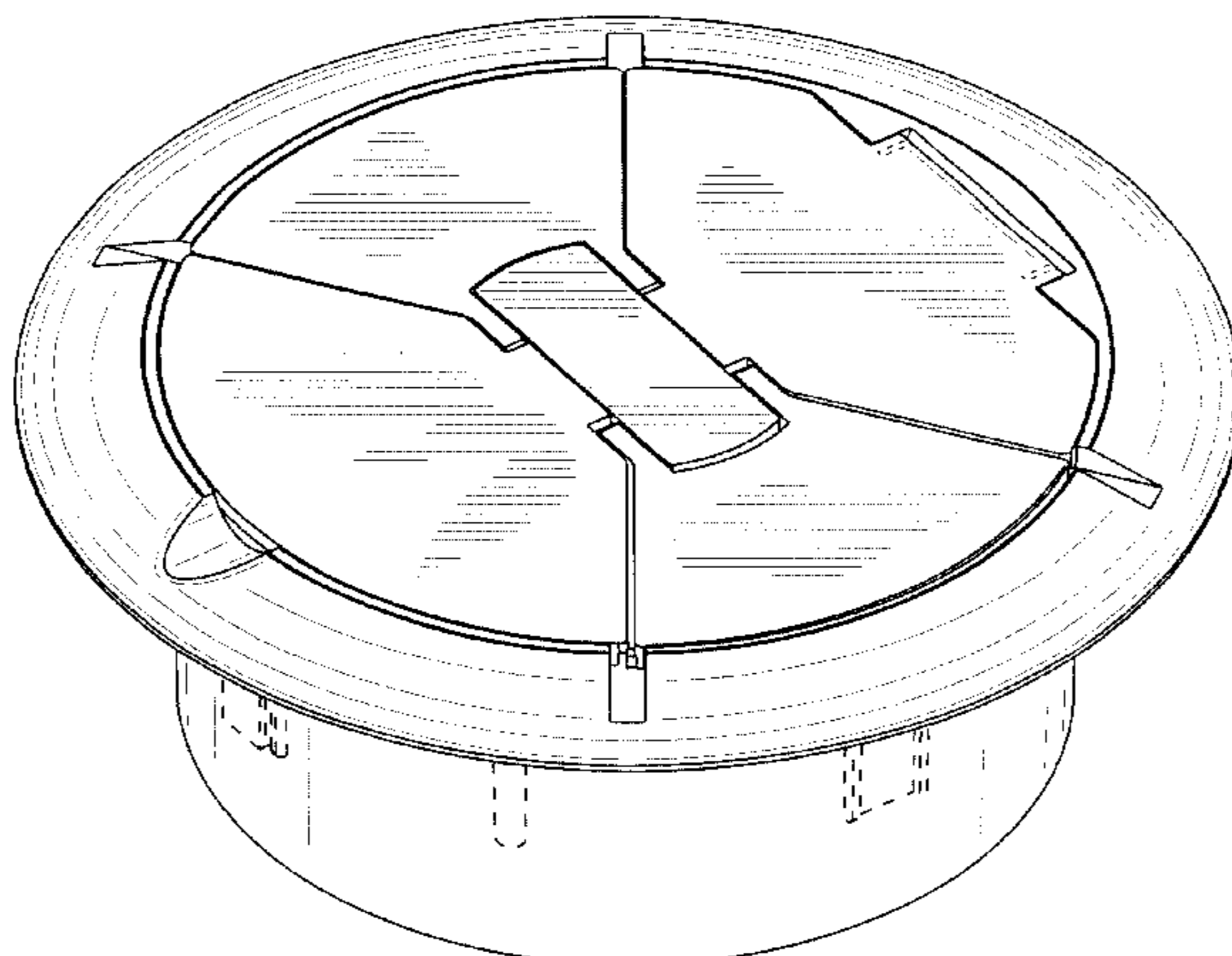


FIG. 1

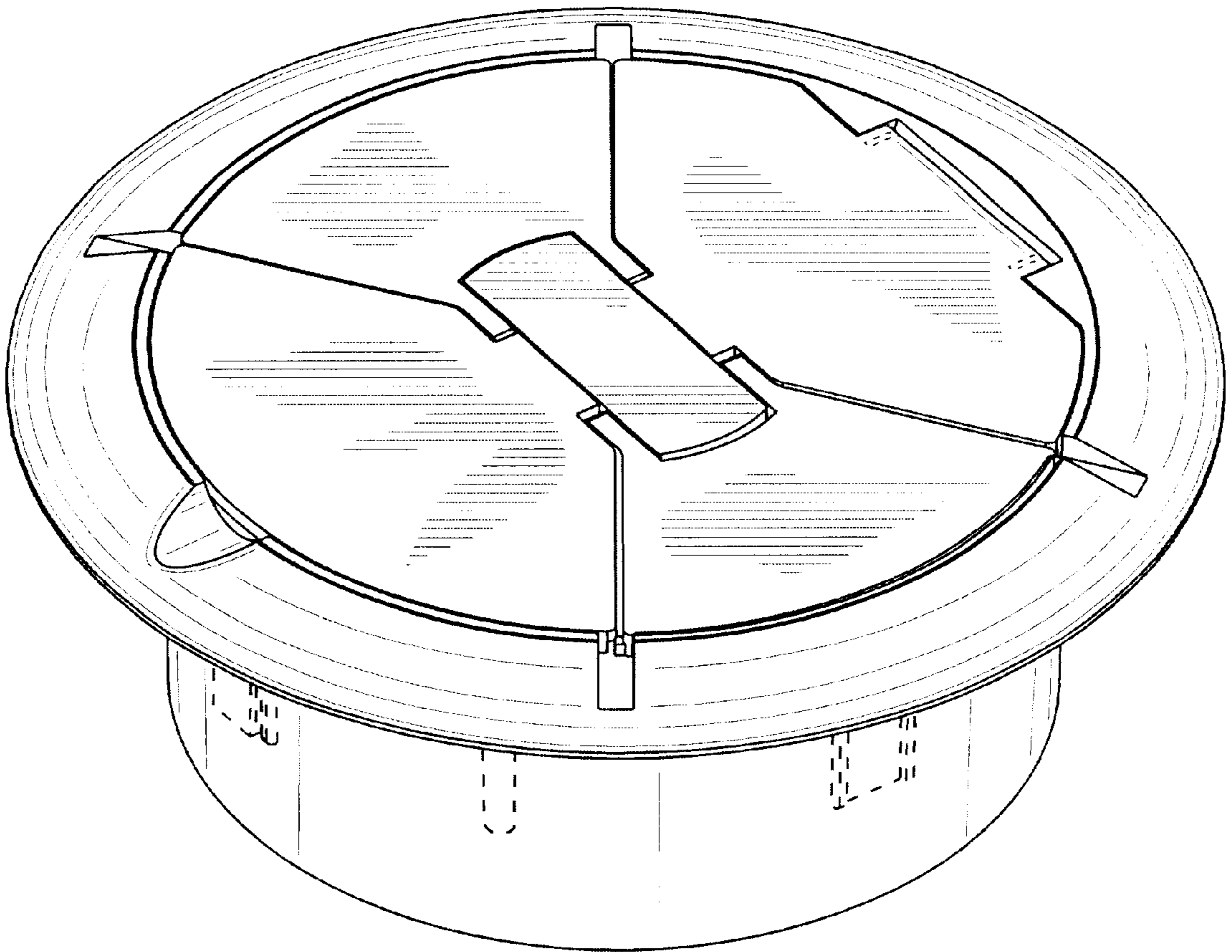


FIG. 2

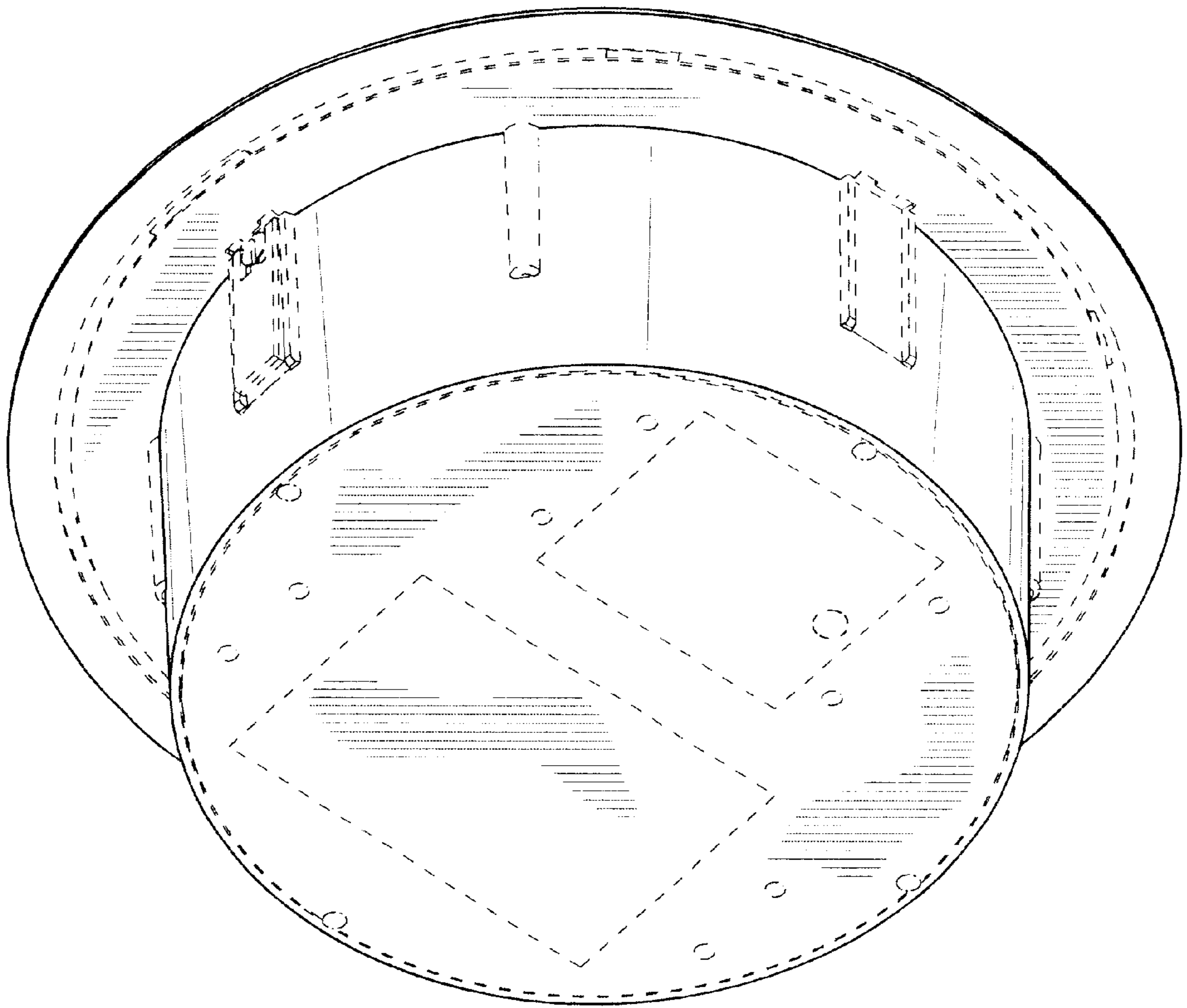


FIG. 3

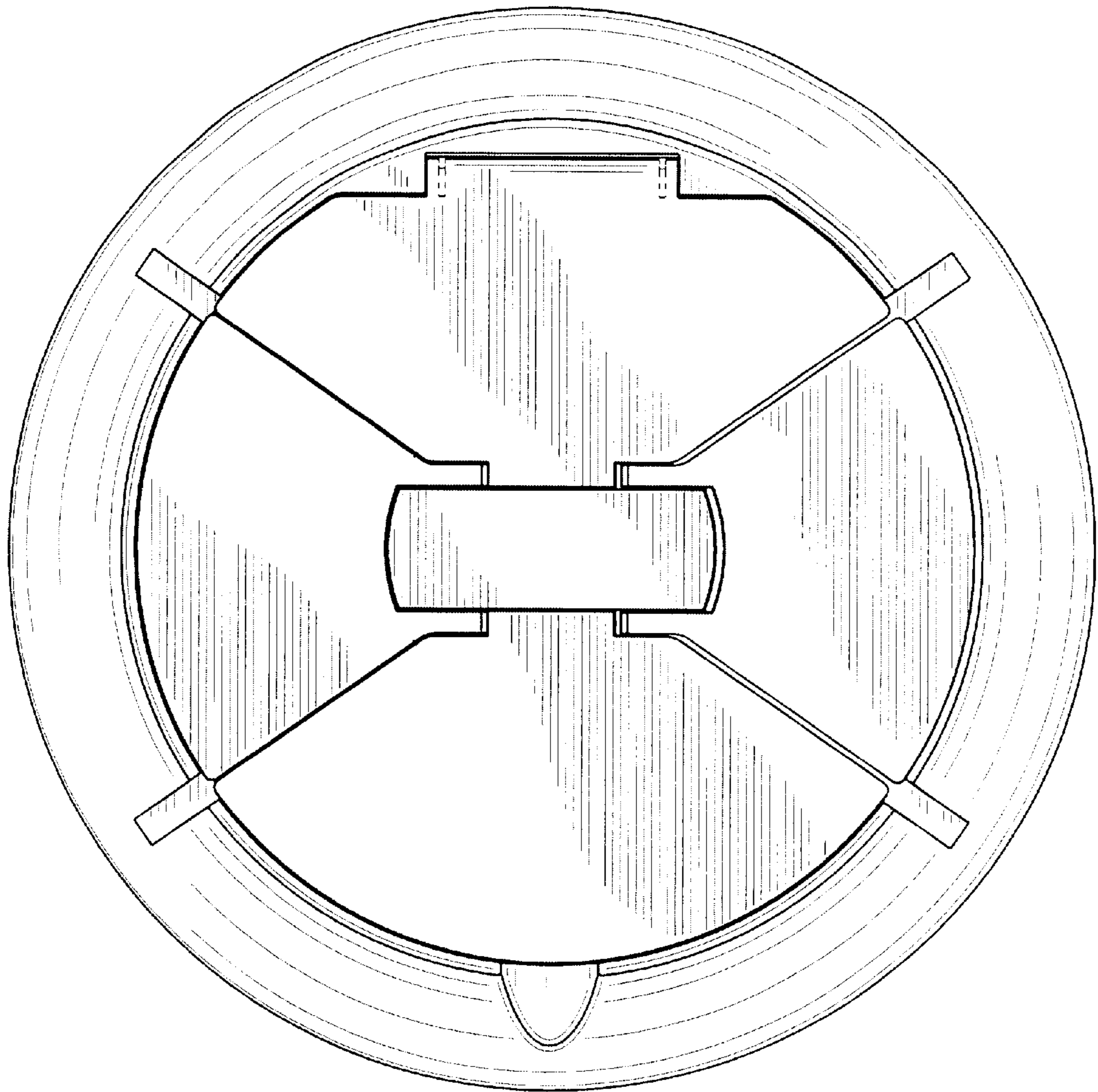


FIG. 4

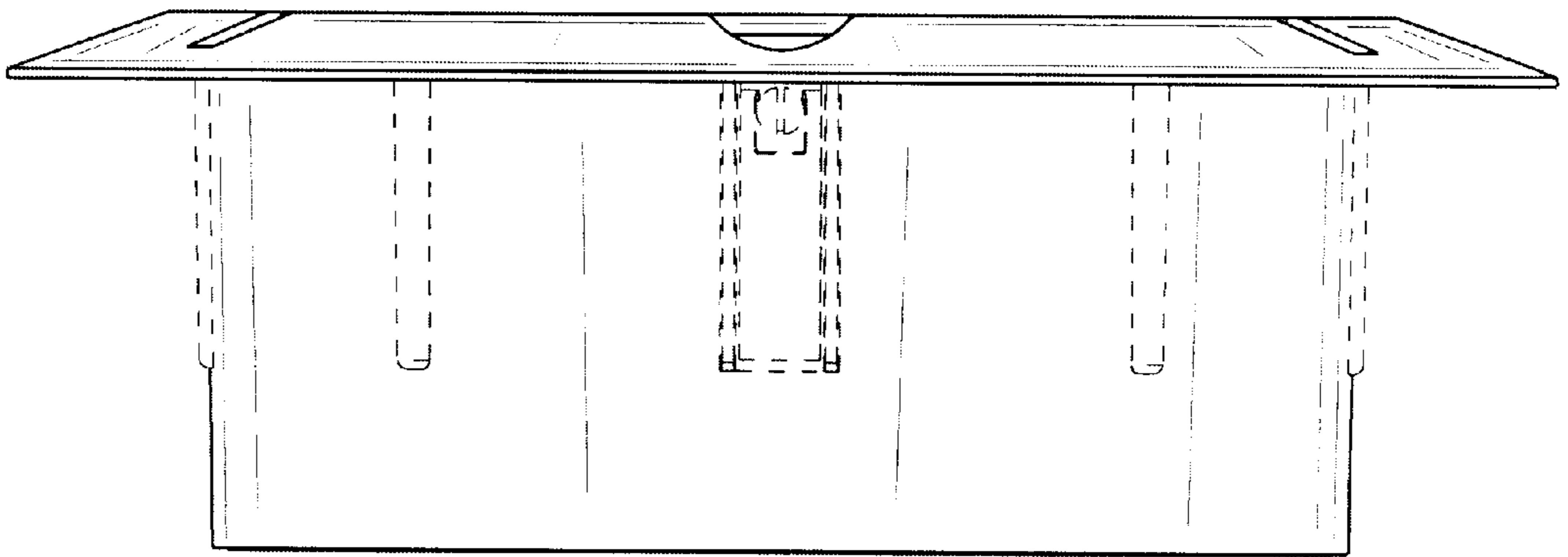


FIG. 5

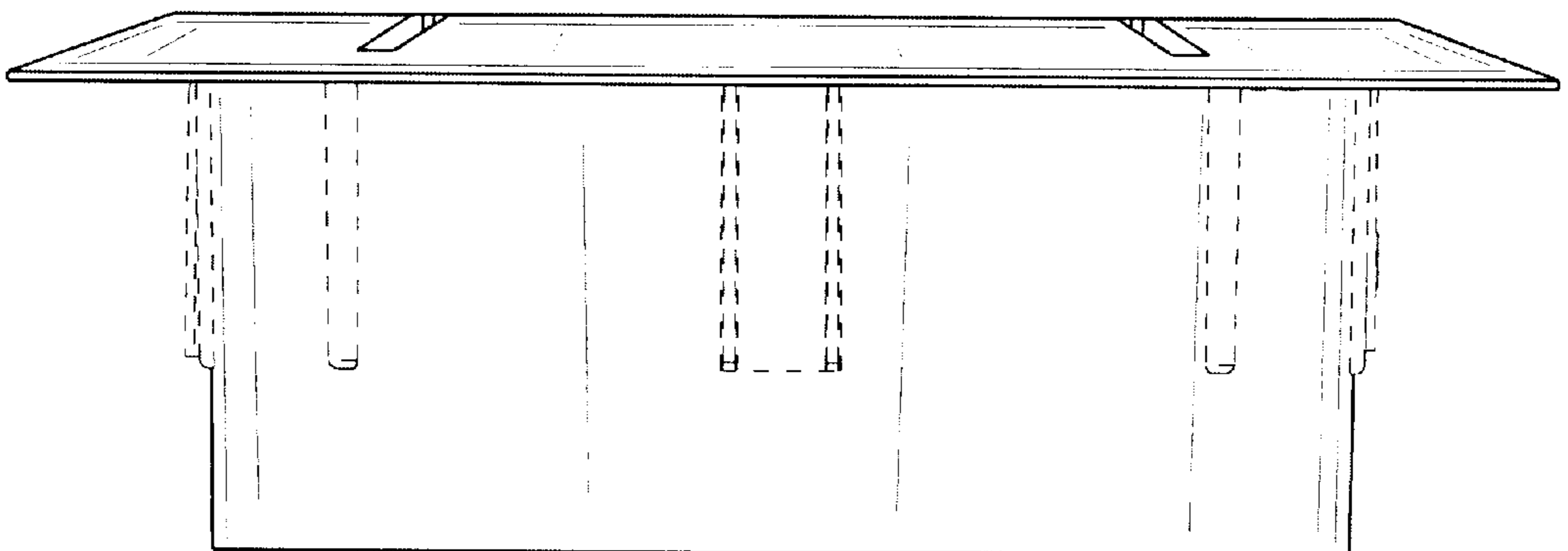


FIG. 6

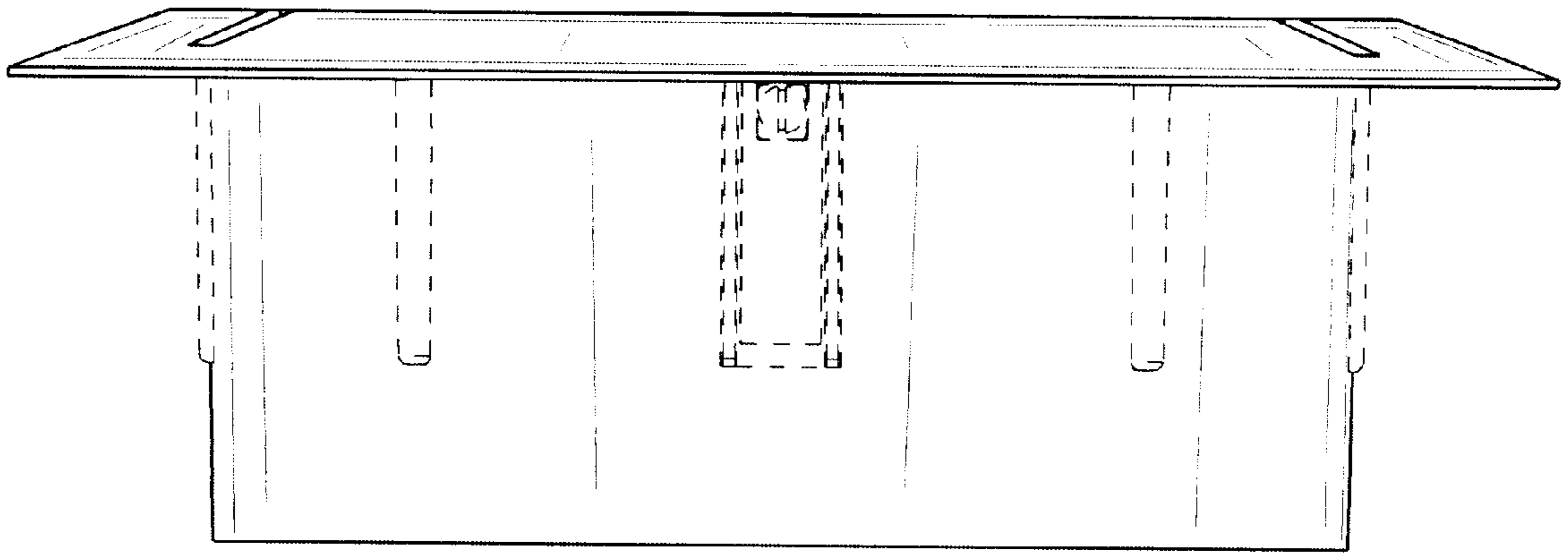


FIG. 7

